

OPERATING INSTRUCTIONS AND OWNER'S MANUAL



PORTABLE HUNTING BUDDY RADIANT HEATER

Model #

MH12HB

READ INSTRUCTIONS CAREFULLY: Read and follow all instructions. Place instructions in a safe place for future reference. Do not allow anyone who has not read these instructions to assemble, light, adjust or operate the heater.



PORTABLE PROPANE HEATER FOR
RECREATIONAL, COMMERCIAL AND
EMERGENCY INDOOR USE

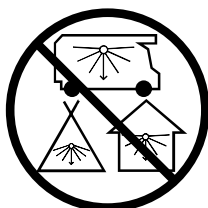
"For Canada and Massachusetts Sale

**Use only Mr. Heater branded accessories
(See page 9 for WARNING information)**

LANGUAGES INCLUDED:

- ENGLISH
- FRENCH

DANGER:



CARBON MONOXIDE HAZARD

This appliance can produce carbon monoxide which has no odor.

Using it in an enclosed space can kill you.

Never use this appliance in an enclosed space such as a camper, tent, car or home.

FOR YOUR SAFETY

If you smell gas:

1. Do not attempt to light appliance.
2. Extinguish any open flame.
3. Disconnect from fuel supply.

FOR YOUR SAFETY

Do not store or use gasoline or other flammable vapors and liquids in the vicinity of this or any other appliance.

WARNING:

⚠ Any changes to this heater or its controls can be dangerous.

WARNING:

⚠ Early signs of carbon monoxide poisoning resemble the flu, with headache, dizziness and/or nausea. If you have these signs, heater may not be working properly. Get fresh air at once! Have heater serviced.

WARNING:

⚠ Every time hose or tank is connected to unit, connection must be checked for leaks in one or more ways: Apply soapy water to connection, look for bubbles, listen for hiss of escaping gas, feel for extreme cold, smell for rotten egg odor. Do not use if leaking!

THE STATE OF CALIFORNIA REQUIRES THE FOLLOWING WARNINGS:

WARNING: Combustion by-products produced when using this product contain carbon monoxide, a chemical known to the State of California to cause cancer and birth defects (or other reproductive harm).

WARNING: This product contains chemicals known to the State of California to cause cancer and birth defects or other reproductive harm.

NOTICE: Not for use in a "dwelling home" in California.

CONTENTS

General Safety Instructions	2
Odor Fade Warning	3
General Information.....	4
Operating with Disposable Propane Cylinders	4
Operating With Hose Connected to Remote Cylinder	5
Pulse Ignition/Battery Installation.....	6
Maintenance.....	6
Troubleshooting	7
Parts List.....	8
Parts Ordering Information	9
Service Information.....	9

SPECIFICATIONS

Actual BTU/HR Input Rate and Fuel Consumption times for this appliance may vary.

MODEL NO.....	MH12HB
GAS TYPE.....	PROPANE
INPUT BTU/HR.....	6,000 / 12,000
CLEARANCE TO COMBUSTIBLES	
TOP	30"
FRONT.....	24"
SIDES	6"
REAR.....	0"

CAUTION:

- Some carpets or linoleum surfaces may discolor if heater is placed directly on these floor coverings.
- **When operating the heater at altitudes over 7,000 FT above sea level the heater may shut off. (Please read the GENERAL INFORMATION)**

GENERAL SAFETY INSTRUCTIONS

THIS IS A HEATING APPLIANCE. DO NOT OPERATE THIS APPLIANCE WITHOUT THE FRONT WIRE GUARD INSTALLED. DO NOT ATTEMPT TO WARM OR COOK FOOD ON THIS HEATER.

- Do not use non-approved attachments on this heater.
- Due to high temperatures, the appliance should be located out of traffic and away from combustible materials.
- Children and adults should be alerted to the hazard of high surface temperatures and should stay away to avoid burns or clothing ignition.
- Young children should be carefully supervised when they are near the appliance.
- Do not place clothing or other flammable material on or near the appliance.
- Do not operate heater in any moving vehicle.
- This heater is for outdoor use only.
- Gas pressure at heater is regulated and fixed at 11" W.C. When using a remote hose connection do not regulate or reduce propane tank supply pressure to heater!
- Regulator in heater must always be in place during operation.
- Any safety screen or guard removed for servicing the appliance must be replaced prior to operating the heater.
- The appliance should be inspected before each use. Frequent cleaning may be required. The control compartments, burner and circulating air passageways of the appliance must be kept clean, see MAINTENANCE.
- DO NOT use this heater if any part has been under water. Immediately call a qualified service technician to inspect the heater and to replace any part of the control system and any gas control, which has been under water.
- When used without adequate combustion and ventilation

air, this heater may give off excessive CARBON MONOXIDE, an odorless, poisonous gas.

- Some people - pregnant women, persons with heart or lung disease, anemia, those under the influence of alcohol, those at high altitudes - are more affected by carbon monoxide than others.
- When heater is placed on the ground, make sure the ground is level and keep any objects at least 24 inches from the front of the heater. THIS HEATER IS EQUIPPED WITH A TIP OVER SWITCH THAT WILL SHUT THE HEATER OFF IF THE HEATER TIPS OVER HOWEVER, DO NOT LEAVE HEATER UNATTENDED OR WHERE CHILDREN MAY CAUSE THE HEATER TO TIP OVER. NEVER OPERATE THE HEATER WHILE SLEEPING!
- Heater must not be exposed to flammable vapors or liquids during lighting or operation.

ODOR FADE WARNING

WARNING



Asphyxiation Hazard

- Do not use in unventilated areas.
- The flow of combustion and ventilation air must not be obstructed.
- Proper ventilation air must be provided to support the combustion air requirements of the heater being used.
- Refer to the specification section of the heater's manual, heater dataplate, or contact the factory to determine combustion air ventilation requirements of the heater.
- Lack of proper ventilation air will lead to improper combustion.
- Improper combustion can lead to carbon monoxide poisoning leading to serious injury or death. Symptoms of carbon monoxide poisoning can include headaches, dizziness and difficulty in breathing.

FUEL GAS ODOR

LP gas and natural gas have man-made odorants added specifically for detection of fuel gas leaks. If a gas leak occurs you should be able to smell the fuel gas. Since Propane (LP) is heavier than air you should smell for the gas odor low to the floor. ANY GAS ODOR IS YOUR SIGNAL TO GO INTO IMMEDIATE ACTION!

- Do not take any action that could ignite the fuel gas. Do not operate any electrical switches. Do not pull any power supply or extension cords. Do not light matches or any other source of flame. Do not use your telephone.
- Get everyone out of the building and away from the area immediately.
- Close all propane (LP) gas tank or cylinder fuel supply valves, or the main fuel supply valve located at the meter if you use natural gas.
- Propane (LP) gas is heavier than air and may settle in

low areas. When you have reason to suspect a propane leak, keep out of all low areas.

- Use your neighbor's phone and call your fuel gas supplier and your fire department. Do not re-enter the building or area.
- Stay out of the building and away from the area until declared safe by the firefighters and your fuel gas supplier.
- FINALLY, let the fuel gas service person and the firefighters check for escaped gas. Have them air out the building and area before you return. Properly trained service people must repair any leaks, check for further leakages, and then relight the appliance for you.

ODOR FADING - NO ODOR DETECTED

- Some people cannot smell well. Some people cannot smell the odor of the man-made chemical added to propane (LP) or natural gas. You must determine if you can smell the odorant in these fuel gases.
- Learn to recognize the odor of propane (LP) gas and natural gas. Local propane (LP) gas dealers will be more than happy to give you a scratch and sniff pamphlet. Use it to become familiar with the fuel gas odor.
- Smoking can decrease your ability to smell. Being around an odor for a period of time can affect your sensitivity to that particular odor. Odors present in animal confinement buildings can mask fuel gas odor.
- **The odorant in propane (LP) gas and natural gas is colorless and the intensity of its odor can fade under some circumstances.**
- If there is an underground leak, the movement of gas through the soil can filter the odorant.
- Propane (LP) gas odor may differ in intensity at different levels. Since Propane (LP) gas is heavier than air, there may be more odor at lower levels.
- **Always be sensitive to the slightest gas odor.** If you continue to detect any gas odor, no matter how small, treat it as a serious leak. Immediately go into action as discussed previously.

ATTENTION - CRITICAL POINTS TO REMEMBER!

- Propane (LP) gas has a distinctive odor. Learn to recognize these odors. (Reference Fuel Gas Odor and Odor Fading sections above.)
- Even if you are not property trained in the service and repair of the heater, ALWAYS be consciously aware of the odors of propane (LP) gas and natural gas.
- If you have not been properly trained in repair and service of propane (LP) gas then do not attempt to light heater, perform service or repairs, or make any adjustments to the heater on the propane (LP) gas fuel system.
- A periodic sniff test around the heater or at the heater's joints; i.e. hose, connections, etc., is a good safety practice under any conditions. If you smell even a small amount of gas, CONTACT YOUR FUEL GAS SUPPLIER IMMEDIATELY. DO NOT WAIT!

GENERAL INFORMATION:

- When the heater is cold, it will take a few minutes for the burner tile to turn bright orange. This is normal and the heater is working properly. If burner tile is visibly flaming, turn heater off and call a qualified service technician.

Note: The heater is to be used outdoors, but may experience nuisance shutoffs due to certain wind conditions.

- When the unit is lit, there should be about a quarter inch border around the tile that will not turn bright orange. This is normal.
- When operating the heater for the first time, the top area of the reflector may discolor. This is also normal and is no reason for concern.
- The protective grill on the front of this heater is coated with a special high-temperature resistant paint. When the heater is used for the first time, the grill may give off noticeable smoke or fumes. This is normal and will not occur during subsequent uses. The fumes are not harmful.
- **Designed to operate at altitudes up to 7,000 feet. When operating the heater at altitudes over 7,000 FT. above sea level, the unit may not burn as bright as in lower altitudes. This is normal. At higher altitudes, the heater may shut off. If this happens, provide fresh air, wait 5 minutes and re-light. If the heater continues to shut off, there may not be enough oxygen available to feed proper combustion.**
- Operating time will vary depending on the heater setting and the supply cylinder size. Up to 1.5 to 3.5 hours on a 1 lb. cylinder. Up to 36 to 72 hours on a 20 lb. cylinder (based on "HI" and "LO" settings). Due to the properties of LP gas, run times can be significantly reduced when operating continuously at temperatures below 20° F. Use of a 20lb tank is recommended in these conditions.
- When moving heater when lit or bumping heater setting it down, the tip over switch may shut off heater. If this happens, re-light.
- Do not leave this appliance unattended while it is in operation.
- LP cylinders must be marked in accordance with "Cylinders, Spheres and Tubes for Transportation of Dangerous Goods, CAN/CSA B339".

LIGHTING / OPERATING INSTRUCTIONS FOR USE WITH DISPOSABLE 1 LB. PROPANE CYLINDERS:

WARNING: Always inspect propane cylinder and heater propane connections for damage, dirt, and debris before attaching propane cylinder. Do not use if head of cylinder is damaged, punctured or deteriorated.

ALWAYS ATTACH OR DETACH CYLINDER OUTDOORS AWAY FROM FLAMES, OTHER IGNITION SOURCES, AND ONLY WHEN

HEATER IS COOL TO TOUCH. NEVER SMOKE WHEN ATTACHING OR REMOVING PROPANE CYLINDER OR MAKING REMOTE CONNECTIONS!

- Use only LP-gas cylinders marked in accordance with the U.S. Dept. of Transportation (DOT).
- Use only 16.4 oz. (1 lb.) disposable cylinders that mate with No. 600 valve connection.
- Heater and attached cylinder must be in an upright position during operation.
- Make sure four-position Control Knob is in "OFF" position; see Figure 1.
- Open the right side door, swivel regulator outward for easy tank installation. Screw 1 lb. disposable LP-gas supply cylinder clockwise (from bottom) into portable heater until hand-tight; see Figure 2. DO NOT use thread sealant on this connection.
- Check cylinder connection for leaks with soapy water at the threaded connection under the domed plastic cover where the cylinder screws into the regulator. SEE WARNING! ON PLASTIC ADDRESS Door. Close access door.
- Turn Control Knob counterclockwise to "PILOT" position and depress the pulse ignition button located in the accessory compartment (see pg 7).

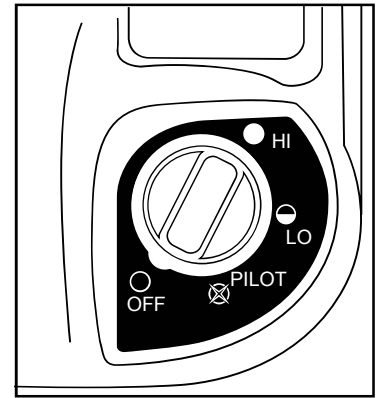


Figure 1: "Off" position.

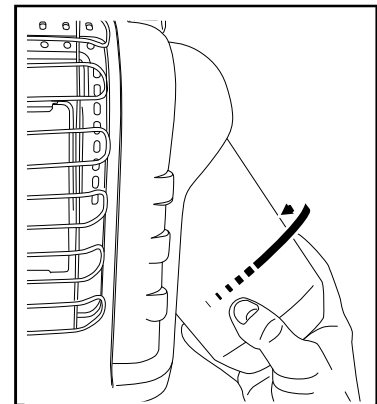


Figure 2: Attach fuel tank

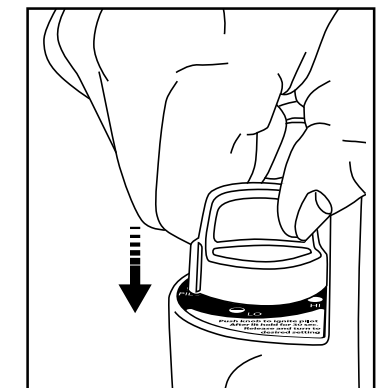


Figure 3: Ignition

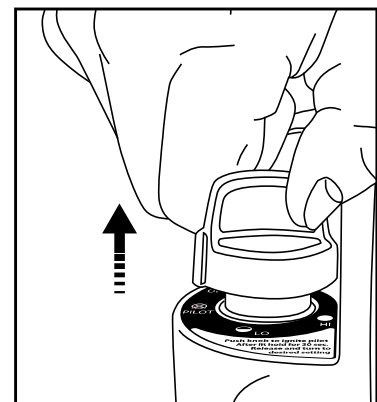



Figure 4: Release knob.

- After pilot lights, hold down for 30 -60 seconds and then release knob. Knob should return to fully extended position; see Figure 4. To operate heater slightly depress knob and gently turn to lock in the "HI" position to light burner tile. Leave on "HI" position until burner tile turns bright orange.
- After burner tile has turned bright orange, adjust heat output by turning Control Knob to desired position ("LO" or "HI" setting)

Warning:


 DO NOT OPERATE HEATER UNLESS CONTROL KNOB IS LOCKED IN A POSITION MARKED "HI", "LO" OR "PILOT". NEVER SET CONTROL KNOB BETWEEN LOCKED POSITIONS. POOR COMBUSTION AND HIGHER LEVELS OF CARBON MONOXIDE MAY RESULT.

- To shut off heater, slightly push down and turn Control Knob clockwise to "OFF" position.
- **CAUTION:** After turning heater off, wire guard will remain hot. Allow to thoroughly cool before storing.
- Do not operate, store or remove cylinder near flammable items or ignition sources.
- LP-GAS CYLINDERS MUST BE DISCONNECTED FROM HEATER WHEN NOT IN USE!


LIGHTING / OPERATING INSTRUCTIONS FOR USE WITH HOSE CONNECTED TO A REMOTE CYLINDER, MAXIMUM SIZE 20 LBS:

- This Heater may be used with a remote refillable propane cylinder ONLY when the cylinder is located outdoors and the Heater is used with Mr. Heater Hose No. **F273701, F273702 or F272702** and fuel filter **F273699**. Fuel filter must be replaced annually. (NOTE: Do not operate without the fuel filter as fuel contamination may damage the heater.) Or use hose No. **F273704** Buddy series hose, fuel filter not required.
- **DANGER:** NEVER bring a refillable propane cylinder indoors. A fire or explosion can occur causing property damage, serious injury or death!
- Inspect the hose before each use of the heater. If there is excessive abrasion or wear, or the hose is cut, replace prior to using the heater with one of the Mr. Heater Hose No's. shown above.
- The propane cylinder must include a listed overfilling protection device as well as a collar to protect the cylinder valve.
- Heater must be in an upright position during operation.
- Make sure four-position Control Knob is in "OFF" position; see Figure 1, at left.
- Swivel regulator outward for easy hose installation. Screw hose connector into regulator on heater and screw connector on other end of hose into LP-gas supply cylinder valve. Tighten all hose connections. DO NOT use thread sealant on any of these connections.

- Mr. Heater strongly recommends using disposable fuel filter **F273699** to trap any oil substances when connected to a remote cylinder that can make heater inoperable.
- Open valve at LP-gas supply cylinder.
- Check all hose connections for leaks with soapy water at the threaded connection under the domed plastic cover where the hose connector screws into the regulator and at LP-gas supply cylinder. SEE WARNING!
- Turn Control Knob counterclockwise to "PILOT" position and depress the pulse light button located in the accessory compartment. This may take longer to purge air from the supply hose depending on the length of the hose being used.
- If pilot does not light, hold down the pilot button for approximately 30 seconds and depress pulse light button again. Repeat until pilot lights.
- After pilot lights, hold down for 30 -60 seconds and then release knob. Knob should return to fully extended position. (Fig 4) The pilot should remain lit. To operate heater slightly depress knob and gently turn to lock in the "HI" position to light burner tile. Leave on "HI" position until burner tile turns bright orange.
- After burner tile has turned bright orange, adjust heat output by turning Control Knob to desired position ("LO" or "HI" setting)

 **Caution:** Do not try to adjust heating levels by using the propane tank shut off valve.

Warning:

 DO NOT OPERATE HEATER UNLESS CONTROL KNOB IS LOCKED IN A POSITION MARKED "HI", "LO" OR "PILOT". NEVER SET CONTROL KNOB BETWEEN LOCKED POSITIONS. POOR COMBUSTION AND HIGHER LEVELS OF CARBON MONOXIDE MAY RESULT.

- **To shut off heater, shut off propane at supply tank, allow heater to use up propane in supply line until heater shuts off, then slightly push down and turn Control Knob clockwise to "OFF" position.**
- **CAUTION:** After turning heater off, wire guard will remain hot. Allow to thoroughly cool before storing.
- When not in use, the gas must be turned off at the LP-gas supply cylinder. As stated before allow heater to use up propane in supply line until heater shuts off. When the LP-gas supply cylinder is not disconnected from the heater, the heater and the cylinder must be stored outdoors, in a well ventilated space, out of reach of children, and must not be stored in a building, garage or any other enclosed area.
- Indoor storage of the heater is permissible only if the cylinder is disconnected and removed from the heater. Cylinders must be stored outdoors out of the reach of children and must not be stored in a building, garage or any other enclosed area.

Storage Compartments

The MH12HB has two storage compartments, with access doors, on the left side of the heater. The pulse light button is located in the forward compartment (Ref.A). This compartment can also be used to store small tools or spare fuel filters (not included).

The rear compartment (Ref.B) can be used to store a spare 1# tank (not included).

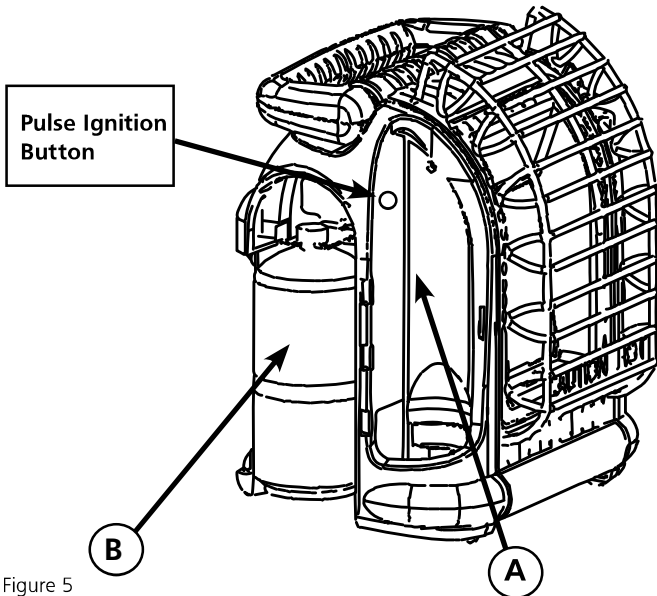


Figure 5

PULSE IGNITION:

The Pulse Ignition Button is located in the front storage compartment (Ref.5).

Unscrew the button cap to install the "AA" battery (included), with positive end toward the button.

MAINTENANCE:

Always keep the heater area clear and free from combustible materials, gasoline and other flammable vapors and liquids.

Keep the vent areas (slots in the bottom and the top at the front and rear of heater) clear at all times.

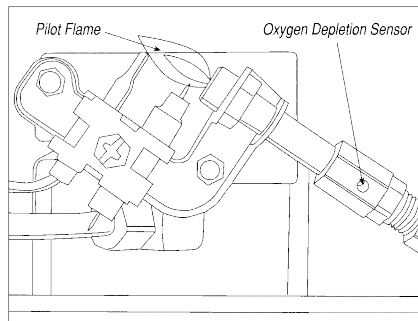


Figure 6

Visually inspect the pilot flame and burner periodically during use. The pilot flame should be blue in color (not yellow) and will extend beyond the thermocouple. The flame will surround the thermocouple just below the tip, see Figure 6.

A slight yellow flame may occur where the pilot flame and main burner flame meet. The burner should be bright orange (with a slight blue color around the border, a red-orange haze that is visible on the ceramic tile is acceptable) and without a noticeable flame. A blue flame that rolls out at the top of the ceramic tile indicates an accumulation of dust, lint or spider webs inside the casing assembly and main burner assembly. If the pilot is yellow or the burner has a noticeable flame, cleaning may be required. Use the following procedure to inspect the casing assembly and main burner assembly.

It is necessary to periodically check the burner orifice and burner venturi tube to make sure they are clear of insects/nests or spider webs that may accumulate over time. A clogged tube can lead to a fire.

- 1 Allow heater to thoroughly cool before performing any maintenance.
- 2 Remove disposable 1 lb. cylinder from heater or turn OFF gas supply at remote cylinder valve, and disconnect hose from heater.
- 3 Remove (4) four screws that secure the rear cover to the Heater.
- 4 Pivot cover outward from bottom. Release from 2 top clips. Set aside.
- 5 Remove (4) four burner retaining screws and fuel line from burner assembly. Remove burner assembly from back of housing.
- 6 Inspect interior of housing for accumulation of dust, lint or spider webs. If necessary, clean interior housing with a vacuum cleaner or apply air pressure. Do not damage any components within the housing assembly when you are cleaning.
- 7 Inspect and clean main burner orifice (threaded into orifice holder). Orifice holder is attached to the burner assembly venturi with (2) two screws.
- 8 Inspect and clean pilot (mounted to bracket) by using a vacuum or apply air pressure through the holes in the pilot indicated by the arrows in Figure 5.
WARNING: Never use needles, wires, or similar cylindrical objects to clean the pilot to avoid damaging the calibrated orifice that controls the gas flow.
- 9 Apply air pressure (max. 30 psi.) into ceramic tile of burner assembly and the venturi tube (ref. item #16) to remove dust, lint or spider webs.
- 10 Reassemble main burner orifice holder onto the burner assembly.
- 11 Reinstall burner assembly into the heater housing
- 12 Reinstall fuel line and check for leaks.
- 13 Install heater back cover.

TROUBLESHOOTING INFORMATION:

If Spark electrode does not produce spark.

CHECK

- Spark electrode broken – replace ODS (Oxygen Depletion Sensor).
- Igniter wire may not be attached to spark electrode.
- Igniter wire damaged – replace.
- Piezo igniter defective – replace control valve.

If Spark electrode produces spark but pilot does not light.

CHECK

- No gas to heater – install disposable cylinder or connect hose and filter where required and turn on valve at remote cylinder.
- “PILOT” position not properly aligned – turn gas control knob to “PILOT” position and depress.
- Pilot is blocked from spider web or dirt – clean pilot, see MAINTENANCE.

If Pilot flame does not stay lit when knob is released.

CHECK

- Control knob in “PILOT” position not completely depressed or held in long enough to purge air from lines.
- Pilot flame not surrounding thermocouple – clean pilot, see MAINTENANCE.
- Pilot Assembly defective – replace.
- Tip switch wires disconnected – connect.

If Main burner does not ignite.

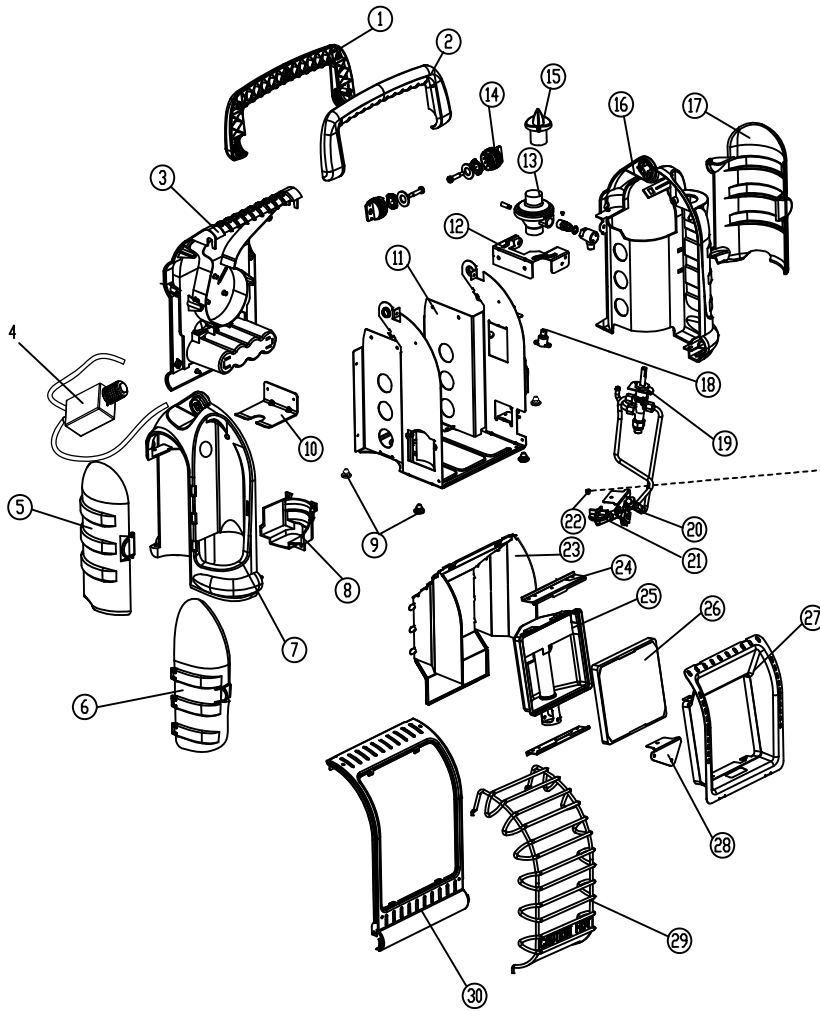
CHECK

- Main burner orifice is blocked – clean burner, see MAINTENANCE.

If Heater keeps shutting “OFF” during normal operation.

CHECK

- Pilot is blocked – clean pilot, see MAINTENANCE.
- Provide minimum fresh air opening of 9 square inches (example 3” x 3” opening).
- Tip over switch activated from bumping heater. Re-light.
- Regulator defective - Replace regulator.
- Internal contamination - Replace control valve and regulator.
- Call Technical Services for additional information.



ACCESSORIES:	
ITEM #	DESCRIPTION
F273701	5 ft. PROPANE HOSE ASSEMBLY (Swivel 1"-20 Male Throwaway Cyl. Thd. X P.O.L. w/Handwheel) (Recommended use with fuel filter.)
F273702	12 ft. PROPANE HOSE ASSEMBLY (Swivel 1"-20 Male Throwaway Cyl. Thd. X P.O.L. w/Handwheel) (Recommended use with fuel filter.)
F272702	12 ft. PROPANE HOSE ASSEMBLY (Swivel 1"-20 Male Throwaway Cyl. Thd. X P.O.L. w/Handwheel) (Recommended use with fuel filter.)
F273699	Fuel Filter (Replace Annually)
F273704	10 ft. BUDDY-SERIES HOSE ASSEMBLY (Fuel filter not required)

REPLACEMENT PARTS LIST:

No.	Part#	Description	No.	Part#	Description	No.	Part#	Description
1.	32098	Handle (Back)	13.	32147	Regulator Assy	25.	32113	Burner Assy
2.	32099	Handle (Front)	14.	32108	Handle Base	26.	32112	Ceramic Tile
3.	32129	Back Panel Assy	15.	32123	Knob Black	27.	32115	Reflector
4.	32145	Pulse Igniter	16.	32109	Right Side Housing	28.	32137	ODS Bracket
5.	32103	Left Door	17.	32110	Right Door	29.	32116	Wire Guard
6.	32104	Fuel Filter Door	18.	32403	Tip Over Switch	30.	32125	Front Panel
7.	32105	Left Side Housing	19.	32124	Control Valve Assy	31.	32146	Tile Gasket*
8.	32106	Accessory Compartment Base	20.	78422	Pilot Assy			
9.	78436	Leg Pad	21.	32052	Orifice Adapter			
10.	32134	Spare Bottle Bracket	22.	32141	Orifice Assy			
11.	32128	Bottom Panel	23.	32111	Heat Shield Assy			
12.	32135	Regulator Bracket	24.	32114	Ceramic Tile Clip			
								*Part Not Shown



OPERATING INSTRUCTIONS AND OWNER'S MANUAL

Model #

MH12HB

WARNING:

USE ONLY MANUFACTURER'S REPLACEMENT PARTS. USE OF ANY OTHER PARTS COULD CAUSE INJURY OR DEATH. REPLACEMENT PARTS ARE ONLY AVAILABLE DIRECT FROM THE FACTORY AND MUST BE INSTALLED BY A QUALIFIED SERVICE AGENCY. MR. HEATER HOSES **F273701**, **F273702** AND **F272702** ARE SPECIFICALLY DESIGNED FOR USE WITH THIS HEATER ALONG WITH **F273699** DISPOSABLE FUEL FILTER (REPLACE ANNUALLY). USE OF OTHER HOSES MAY CAUSE THE HEATER TO BECOME INOPERABLE. USE BUDDY SERIES HOSE NO. **F273704**, FUEL FILTER IS NOT REQUIRED.

WARNING:

THIS PRODUCT IS A HEATER. IT IS CERTIFIED TO CSA INTERNATIONAL REQUIREMENT SECTION 4.98, "GAS FIRED PORTABLE HEATERS FOR RECREATIONAL OR COMMERCIAL USE." THIS PRODUCT IS **NEVER** TO BE USED FOR THE COOKING OR WARMING OF FOODS AS DOING SO CAN INTERFERE WITH THE SAFETY SYSTEMS OF THE HEATER, WHICH MAY RESULT IN A FIRE, EXPLOSION, THE PRODUCTION OF DEADLY CARBON MONOXIDE, AND PERSONAL INJURY OR DEATH TO YOU OR OTHERS. **NEVER** USE HAND-MADE OR THIRD PARTY ACCESSORIES OR ATTACHMENTS WITH THIS HEATER; THIS IS EXTREMELY DANGEROUS AND MAY RESULT IN PERSONAL INJURY OR DEATH TO YOU OR OTHERS.

PARTS ORDERING INFORMATION:

PURCHASING: Accessories may be purchased at any Mr. Heater local dealer or direct from the factory

FOR INFORMATION REGARDING SERVICE

Please call Toll-Free 800-251-0001
www.mrheater.com

Our office hours are 8:00 AM – 5:00 PM, EST, Monday through Friday.

Please include the model number, date of purchase, and description of problem in all communication.

LIMITED WARRANTY

Mr. Heater, Inc. warrants its heaters and accessories to be free from defects in material and workmanship for a period of 1 year from date of purchase. Mr. Heater, Inc. will repair or replace this product free of charge if it has been proven to be defective within the 1-year period, and is returned at customer expense with proof of purchase to Mr. Heater, Inc. within the warranty period. **DISCLAIMER:** This warranty does not cover any product that: a) has been subject to misuse or neglect; b) has been used in a manner inconsistent with the warnings and instructions contained in the owner's manual, including but not limited to using a heater for the cooking or warming of foods; or c) has been used with hand-made or third party accessories or attachments.

Mr. Heater, Inc. reserves the right to make changes at any time, without notice or obligation, in colors, specifications, accessories, materials and models.

PRODUCT REGISTRATION: Thank you for your purchase.
Please log in to <http://www.egiregistration.com> to register your product.

MR. HEATER, INC., 4560 W. 160TH ST., CLEVELAND, OHIO 44135 • 800-251-0001
Mr. Heater and Portable Buddy are registered trademarks of Enerco Group, Inc.
© 2017, Enerco/Mr. Heater. All rights reserved



ANS Z21.63. • CSA 11.3 - 2011

INSTRUCTIONS DE FONCTIONNEMENT ET MANUEL DE L'UTILISATEUR



PORTABLE HUNTING BUDDY RADIANT HEATER

Modèle #

MH12HB

LISEZ SOIGNEUSEMENT LES INSTRUCTIONS : lisez et observez toutes les instructions. Conservez les instructions en sécurité pour vous y référer ultérieurement. Interdisez à quiconque n'a pas lu les présentes instructions d'assembler, d'allumer, de régler ou de faire fonctionner cet appareil de chauffage.



APPAREIL DE
CHAUFFAGE PORTATIF
AU GAZ PROPANE À
USAGE RÉCRÉATIF
EXTÉRIEUR

Utilisez uniquement la marque Mr. Heater d'accessoires (Voir page 9 pour AVERTISSEMENT informations)

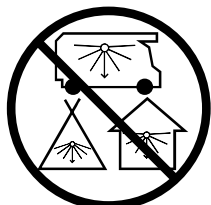
Pour la vente au Canada et au Massachusetts

LANGUES INCLUSES:

- ANGLAIS
- FRANÇAIS



DANGER:



PRODUCTION DE MONOXYDE DE CARBONE

Cet appareil produit du monoxyde de carbone, un gaz inodore.

Par conséquent, le fait de l'utiliser dans un endroit fermé risque de causer la mort.

N'utilisez jamais cet appareil dans un endroit fermé tel qu'une tente, un véhicule récréatif, une automobile ou une maison.

POUR VOTRE SÉCURITÉ

Si vous percevez une odeur de gaz :

1. N'essayez pas d'allumer l'appareil de chauffage.
2. Éteignez toute flamme nue.
3. Coupez l'alimentation en combustible.

POUR VOTRE SÉCURITÉ

N'entreposez ni n'utilisez d'essence ou autres liquides ou vapeurs inflammables à proximité de ce type d'appareil.

AVERTISSEMENT :

⚠ Chaque fois que l'appareil est raccordé au réservoir, l'étanchéité des raccords doit être vérifiée d'au moins une façon : enduisez les raccords d'eau savonneuse et surveillez l'apparition de bulles; soyez attentif au sifflement produit par une fuite de gaz, à une sensation de grand froid ou à une odeur d'œuf pourri. N'utilisez pas l'appareil s'il y a des fuites!

AVERTISSEMENT :

⚠ Les signes avant-coureurs d'intoxication au monoxyde de carbone ressemblent aux symptômes de la grippe accompagnés de mal de tête, d'étourdissement et de nausée. Si vous ressentez ces maux, l'appareil de chauffage ne fonctionne peut-être pas correctement. Allez immédiatement à l'air libre! Faites inspecter l'appareil de chauffage.

AVERTISSEMENT :

⚠ Toute modification de cet appareil de chauffage ou de ses commandes constitue un danger.

AVERTISSEMENT :

⚠ CET APPAREIL DE CHAUFFAGE NE DOIT PAS ÊTRE UTILISÉ À L'INTÉRIEUR!

L'ÉTAT DE LA CALIFORNIE IMPOSE L'AVERTISSEMENT SUIVANT :

AVERTISSEMENT :

L'utilisation de cet appareil crée des sous-produits de combustion contenant du monoxyde de carbone, un produit chimique reconnu par l'État de la Californie comme cause de cancer et d'anomalies congénitales (ou autres risques pour la reproduction).

AVERTISSEMENT :

D'après l'État de Californie, ce produit contient des substances chimiques susceptibles d'être cancérigènes, de causer des anomalies congénitales ou d'autres problèmes reproductifs.

REMARQUEZ :

Pas pour l'utilisation dans une 'habitation a la maison' a Californie.

TABLE DES MATIÈRES

Instructions générales en matière de sécurité	2
Avertissement lié aux substances odorantes	3
Informations générales	3
Fonctionnement avec des bouteilles jetables de propane	4
Fonctionnement avec un tuyau raccordé à une bonbonne distante	5
Entretien	5
Allumage d'impulsion/batterie Installation	6
Dépannage	6
Liste des pièces.....	7
Informations sur la commande de pièces	8
Informations sur le service.....	9

SPÉCIFICATIONS

Le nombre actuel de BTU/HR et la consommation de carburant pour cet appareil peut varier.

MODÈLE N	MH12HB
TYPE DE GAZ	PROPANE
PUISSANCE BTU/H.....	6,000/12,000
DISTANCE DES MATÉRIAUX COMBUSTIBLES	
DESSUS	75 cm
DEVANT	60 cm
CÔTÉS	15 cm
ARRIÈRE	0

PRUDENCE:

- Quelques tapis ou surfaces de linoléum peuvent décolorer si le chauffage est placé directement sur ces revêtements de plancher.
- Lorsque vous utilisez l'appareil de chauffage à des altitudes plus de 7000 pieds au-dessus la mer niveler le chauffage peut se éteindre. (Se il vous plaît lire les informations générales)

INSTRUCTIONS GÉNÉRALES EN MATIÈRE DE SÉCURITÉ

CET APPAREIL SERT AU CHAUFFAGE. NE LE FAITES PAS FONCTIONNER SANS LA GRILLE PROTECTRICE INSTALLÉE À L'AVANT.NE PAS ESSAYER DE chaud ou COOK ALIMENTATION SUR CET APPAREIL.

- Ne pas utiliser non accessoires approuvés sur ce chauffage.
- En raison des températures élevées qu'il atteint, cet appareil doit être placé à distance des lieux de passage et des matériaux combustibles.
- Les adultes comme les enfants doivent être mis au courant des risques qu'entraînent les températures élevées des surfaces afin d'éviter les brûlures et l'inflammation des vêtements.
- Les jeunes enfants doivent être étroitement surveillés lorsqu'ils sont à proximité de l'appareil.
- Le gril protecteur sur le front de ce chauffage est enduit avec une peinture résistante de-température-haute spéciale. Quand le chauffage est utilisé pour la première fois, le gril peut émettre la fumée évidente ou les exhalaisons. C'est normal et ne se produira pas pendant les utilisations ultérieures. Les exhalaisons ne sont pas malfaisantes.
- Ne placez pas de vêtements ou de matière inflammable sur l'appareil ou près de celui-ci.
- Ne faites pas fonctionner l'appareil dans un véhicule en mouvement.
- Cet appareil de chauffage est conçu uniquement pour être utilisé à l'extérieur.
- LA PRESSION DE GAZ DANS L'APPAREIL DE CHAUFFAGE EST RÉGLÉE ET FIXÉE À 11 POUÇES D'EAU. EN L'UTILISANT RACCORDÉ À UNE BONBONNE DISTANTE, NE RÉGLEZ NI NE RÉDUISEZ LA PRESSION D'APPROVISIONNEMENT EN GAZ VERS L'APPAREIL DE CHAUFFAGE!

- LE RÉGULATEUR DE L'APPAREIL DE CHAUFFAGE DOIT TOUJOURS ÊTRE EN PLACE LORS DE SON FONCTIONNEMENT.
- Tout dispositif de protection enlevé lors de l'entretien de l'appareil doit être replacé avant de faire fonctionner ce dernier.
- L'appareil doit être inspecté avant chaque utilisation. De fréquents nettoyages peuvent s'avérer nécessaires. Les boîtiers de commande, le brûleur et les passages de ventilation de l'appareil doivent rester propres (voir ENTRETIEN).
- N'UTILISEZ PAS l'appareil si l'une de ses parties est mouillée. Appelez immédiatement un technicien qualifié pour qu'il inspecte l'appareil de chauffage et remplace les parties du système de commandes et de contrôle du gaz qui ont été exposées à l'eau.
- Si l'appareil de chauffage est utilisé sans l'apport d'air nécessaire à la combustion et à la ventilation, il produira une quantité excessive de MONOXYDE DE CARBONE, un gaz toxique et inodore.
- Certaines personnes, notamment celles enceintes, celles affectées de problèmes cardio-respiratoires, celles sous l'influence de l'alcool et celles se trouvant à de hautes altitudes, seront davantage affectées par le monoxyde de carbone que les autres.
- Lorsque l'appareil de chauffage est placé sur le sol, assurez-vous que ce dernier est de niveau. Gardez les objets à une distance de 60 cm (24 po) de l'avant de l'appareil. CET APPAREIL DE CHAUFFAGE EST MUNI D'UN INTERRUPTEUR QUI L'ÉTEINDRA EN CAS DE BASCULEMENT. NE LAISSEZ CEPENDANT PAS L'APPAREIL SANS SURVEILLANCE, PARTICULIÈREMENT SI DES ENFANTS RISQUENT DE LE FAIRE BASCULER. NE FAITES JAMAIS FONCTIONNER L'APPAREIL PENDANT VOTRE SOMMEIL!

AVERTISSEMENT LIÉ AUX SUBSTANCES ODORANTES

AVERTISSEMENT

Risque d'asphyxie

- Cet appareil ne doit pas être utilisé pour le chauffage de locaux où demeurent des gens.
- Ne l'utilisez pas dans des endroits non aérés.
- Le débit de chaleur et d'air de ventilation ne doit pas être obstrué.
- Le processus de combustion de cet appareil exige un apport adéquat en air de ventilation.
- Consultez la rubrique portant sur les spécifications techniques dans le manuel de l'appareil ou sur la plaque de données de l'appareil, ou communiquez avec le fabricant pour obtenir les renseignements relatifs aux exigences en apport d'air de ventilation pour la combustion.
- Le processus de combustion ne peut s'effectuer correctement si l'apport en air de ventilation est insuffisant.
- Une combustion inadéquate produit des émanations nocives de monoxyde de carbone pouvant entraîner des troubles de santé graves, voire mortels. Les symptômes d'empoisonnement au monoxyde de carbone sont les maux de tête, les étourdissements et la difficulté respiratoire.

ODEUR DE GAZ COMBUSTIBLE

Des additifs odorants ont été ajoutés au gaz propane liquéfié et au gaz naturel dans le but de faciliter la détection de fuites. Vous devriez remarquer une odeur de gaz combustible s'il y a une fuite. Comme le gaz propane (liquéfié) est plus lourd que l'air, l'odeur de gaz se détecte plus facilement près du sol. TOUTE ODEUR DE GAZ EST UN SIGNAL QU'IL FAUT INTERVENIR IMMÉDIATEMENT!

- Ne prenez aucune mesure qui provoquerait l'allumage des vapeurs de gaz. N'utilisez aucun interrupteur électrique. Ne tirez sur aucune source d'alimentation électrique ou rallonge électrique. N'allumez pas d'allumettes ni aucune source de flamme. N'utilisez pas votre téléphone.
- Faites évacuer immédiatement toute personne se trouvant dans l'immeuble.
- Fermez tous les robinets d'alimentation du réservoir de gaz propane (liquéfié) ou de la bonbonne, ainsi que le robinet d'alimentation principale situé sur le compteur, si vous utilisez du gaz naturel.
- Le gaz propane (liquéfié) est plus lourd que l'air et peut s'accumuler dans les endroits près du sol. Si vous croyez qu'il y a une fuite de gaz propane, éloignez-vous des endroits plus bas.
- Utilisez le téléphone d'un voisin et communiquez avec votre fournisseur en gaz combustible et votre service d'incendies. Ne retournez pas dans l'immeuble ou dans le secteur.
- N'entrez pas dans l'immeuble et restez-en à l'écart jusqu'à ce que le personnel du service des incendies ou le fournisseur en gaz combustible ait confirmé que l'endroit ne comporte aucun risque.
- EN DERNIER LIEU, laissez le personnel du service des incendies ou d'approvisionnement en gaz combustible vérifier si du gaz s'échappe. Assurez-vous qu'ils aient aéré l'immeuble avant d'y retourner. Le personnel d'entretien expérimenté doit colmater toute fuite, vérifier la présence d'autres fuites, puis se charger d'allumer l'appareil pour vous

SUBSTANCE ODORANTE - AUCUNE ODEUR DÉCELÉE

- Certaines personnes ne détectent pas bien les odeurs. Il est donc possible que certaines personnes ne puissent sentir la substance odorante ajoutée au gaz propane (liquéfié) ou au gaz naturel. Vous devez savoir si vous arrivez à déceler l'odeur de cette substance dans le gaz combustible.
- Apprenez à reconnaître l'odeur du gaz propane et celle du gaz naturel. Pour ce faire, les détaillants de gaz propane (liquéfié) locaux seront heureux de vous fournir un feuillet comprenant une pastille à humer. Servez-vous de cette pastille pour vous aider à reconnaître l'odeur de gaz combustible.
- Le tabagisme peut nuire à votre faculté olfactive. Votre facilité à déceler une odeur quelconque peut s'estomper si vous demeurez un certain temps dans un endroit où cette odeur est présente. La présence d'animaux dans des endroits clos peut aussi masquer l'odeur du gaz combustible.
- **La substance odorante contenue dans le gaz propane (liquéfié) et le gaz naturel est incolore et, selon certaines circonstances, son odeur pourrait s'estomper.**

- En cas de fuite souterraine, le déplacement du gaz dans le sol peut filtrer l'odeur.
- L'intensité de l'odeur du gaz propane (liquéfié) peut varier à différents niveaux. Étant donné que le gaz propane (liquéfié) est plus lourd que l'air, l'odeur peut être plus prononcée à des niveaux inférieurs.
- **Portez toujours attention à la moindre odeur de gaz.** Si une odeur de gaz persiste, même si elle est minime, agissez comme s'il s'agissait d'une fuite importante. Intervenez immédiatement tel que décrit précédemment.

ATTENTION - POINTS ESSENTIELS À RETENIR!

- Le gaz propane (liquéfié) dégage une odeur particulière. Apprenez à reconnaître cette odeur. Consultez les rubriques Odeur du gaz combustible et Substance odorante, ci-dessus.
- Même si vous n'avez pas été formé pour effectuer l'entretien et la réparation de l'appareil, soyez TOUJOURS attentif aux odeurs que dégagent le gaz propane (liquéfié) et le gaz naturel.
- Si vous n'êtes pas formé pour procéder à l'entretien et à la réparation des appareils au gaz propane (liquéfié), ne tentez pas d'allumer l'appareil, de le réparer ou de l'entretenir, ni d'apporter des réglages au système d'alimentation en gaz propane de l'appareil.
- Peu importe les conditions, une bonne pratique de sécurité consiste à sentir de temps à autre autour de l'appareil, des raccords, du tuyau et autres éléments. Si vous décelez la moindre odeur de gaz, COMMUNIQUEZ IMMÉDIATEMENT AVEC VOTRE FOURNISSEUR EN GAZ COMBUSTIBLE. N'ATTENDEZ PAS!

INFORMATIONS GÉNÉRALES :

- Lorsque l'appareil de chauffage est froid ou à la température de la pièce, il faudra quelques minutes pour que le bloc de brûleur devienne orangé. Ceci est normal : l'appareil de chauffage fonctionne correctement. Si le bloc de brûleur est visiblement enflammé, éteignez l'appareil de chauffage et appelez un technicien qualifié.
- Notez : le chauffage doit être utilisé dehors, mais peut connaître des arrêts d'embêtement en raison de certaines conditions de vent.
- Lorsque l'unité est allumée, il doit y avoir un espace d'un demi-centimètre entourant le bloc qui ne devienne pas orangé. Ceci est normal.
 - Au premier fonctionnement de l'appareil, il est possible que la surface supérieure du réflecteur se décolore. Ceci est aussi normal et il n'y a pas raison de s'en inquiéter.
 - En faisant fonctionner l'appareil à une altitude supérieure à 2 200 m, il est possible que l'unité ne brûle pas aussi intensément qu'en basse altitude. Ceci est normal. À des altitudes encore plus élevées, l'appareil de chauffage risque de s'éteindre. Si cela se produisait, faites circuler de l'air frais, attendez cinq minutes et allumez-le de nouveau.
- Le fait de faire marcher le temps variera selon le cadre de chauffage et la taille de cylindre de réserves. Jusqu'à 1.5 à 3.5 heures sur 1 livre. cylindre. Jusqu'à 36 à 72 heures sur 20

livres. le cylindre (basé sur "SALUT" et les cadres "de LO"). Destemperaturesinferieures a -6.6° C. Nous d'un reservoir de GPL de 9 Kg est recommande dans ces conditions.

- En déplaçant l'appareil de chauffage en marche ou en le heurtant, il est possible que l'interrupteur antibascule l'éteigne. Si cela se produisait, allumez-le de nouveau.

INSTRUCTIONS D'ALLUMAGE ET DE FONCTIONNEMENT AVEC DES BOUTEILLES DE GAZ JETABLES DE 500 G.

AVERTISSEMENT : Vérifiez toujours les raccords de la bouteille et de l'appareil de chauffage avant de les relier pour détecter la présence de particules, de poussières et de dommages. Si l'embout de la bouteille est endommagée ou percée, ne vous en servez pas.

FAITES ET DÉFAITES TOUJOURS LE RACCORDEMENT À LA BOUTEILLE À L'EXTÉRIEUR, LOIN D'UNE FLAMME NUE OU D'UNE AUTRE SOURCE DE CHALEUR ET SEULEMENT SI L'APPAREIL DE CHAUFFAGE EST FROID AU TOUCHER. NE FUMEZ JAMAIS EN RACCORDANT OU EN ENLEVANT LA BOUTEILLE DE GAZ NI EN RACCORDANT À DISTANCE!

- N'utilisez que des bouteilles de gaz propane liquéfié conformes aux normes du U.S. Dept. of Transportation (DOT).
- N'utilisez que des bouteilles jetables de 500 g (1 lb) munies du raccord de soupape n° 600.
- L'appareil de chauffage et la bouteille doivent être en position verticale pendant le fonctionnement.
- Assurez-vous que le bouton de commande à quatre positions est à la position « OFF » (voir figure 1).
- Faites pivoter le régulateur outward pour l'installation de réservoir facile. Vis 1 livre. le cylindre de réserves disponible du GAZ DE MICROSILLON dans le sens des aiguilles d'une montre (du fond) dans le chauffage portatif jusqu'à serré-de-mains; (voir figure 2). NE PAS utiliser du produit d'étanchéité pour filetages sur cette liaison
- Vérifiez si le raccord fuit en enduisant d'eau savonneuse le raccord fileté situé

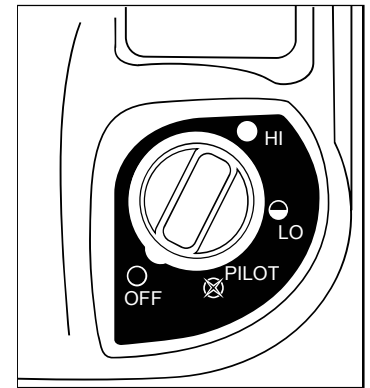


Figure 1 : de la position.

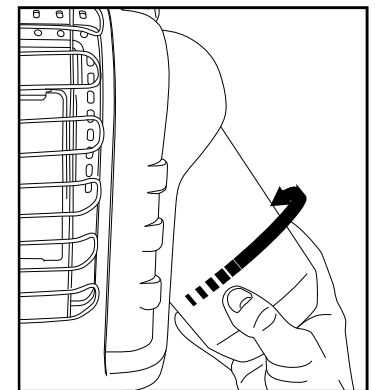


Figure 2 : Attache le réservoir à carburant

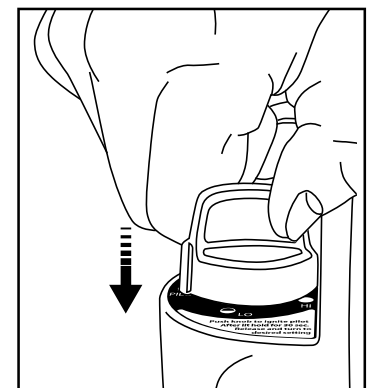


Figure 3 : Ignition

sous le couvercle bombé en plastique, là où la bouteille se visse dans le régulateur. VOYEZ VEA

AVERTISSEMENT SUR la porte EN PLASTIQUE d'ADDESS. Volet étroit.

- Tournez le bouton de commande dans le sens contraire des aiguilles d'une montre à la position « PILOTE » et enfoncez le bouton d'allumage d'impulsion situé dans le compartiment annexe (voir la page 7).
 - Après le fait d'allumer le pilote, libérez le Bouton, le Bouton devrait revenir à la position complètement prolongée. Pour faire marcher le chauffage, déprimez légèrement le bouton et tournez doucement pour vous bloquer dans la position désirée.
 - Le Bouton de commande de Tour "à SALUT" la position pour allumer le chauffage. Le congé sur "SALUT" la position jusqu'à la tuile de brûleur tourne l'orange brillante.
 - Une fois que le bloc a atteint cette couleur vive, réglez la sortie de chaleur en tournant le bouton de commande à la position désirée (HI ou LO).
- ⚠** **AVERTISSEMENT** : NE FAITES PAS FONCTIONNER L'APPAREIL DE CHAUFFAGE SI LE BOUTON DE COMMANDE N'EST PAS BIEN EN PLACE DANS L'UNE DES POSITIONS SUIVANTES : HI (Élevé), LO (Bas), PILOT (Veilleuse).
- Pour éteindre l'appareil de chauffage, enfoncez légèrement le bouton de commande et tournez-le dans le sens des aiguilles d'une montre à la position OFF (Arrêt).
 - **ATTENTION** : Après avoir éteint l'appareil de chauffage, la grille protectrice restera chaude. Laissez-la refroidir complètement avant de remettre l'appareil.
 - N'utilisez pas, ne remisez pas et n'enlevez pas la bouteille de gaz près d'objets inflammables ou de sources de chaleur.
 - LA BOUTEILLE DE GAZ PROPANE LIQUÉFIÉ DOIT ÊTRE ENLEVÉE DE L'APPAREIL DE CHAUFFAGE LORSQU'IL N'EST PAS UTILISÉ!

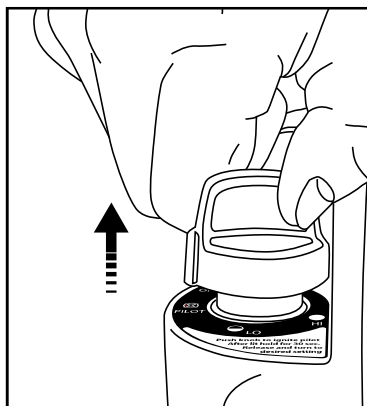


Figure 4 : bouton de Libération.

INSTRUCTIONS D'ALLUMAGE ET DE FONCTIONNEMENT AVEC RACCORDEMENT PAR TUYAU À UNE BONBONNE DE GAZ DISTANTE DE 9 KG.

- Il est possible d'utiliser cet appareil de chauffage raccordé à une bonbonne réutilisable distante SEULEMENT si la bonbonne est située à l'extérieur et que le tuyau n° **F273701** ou **F273702** et le filtre à combustible **F273699** sont utilisés. Ce dernier doit être remplacé annuellement. Ou tuyau de série de copain de l'utilisation **F273704**. Filtre d'essence non requis.
- **DANGER**: NE JAMAIS apporter une bonbonne de gaz réutilisable à l'intérieur. Une explosion ou un incendie causant des dommages matériels, des blessures graves et des pertes de vie risqueraient de se produire.
- Inspectez le tuyau chaque fois avant d'utiliser l'appareil de chauffage. S'il y a apparence de frottement ou d'usure excessifs ou de coupure, remplacez le tuyau avant d'utiliser l'appareil de chauffage, par l'un des modèles de tuyau Mr. Heater mentionnés ci-dessus.
- La bonbonne de gaz doit être munie d'un dispositif de protection

contre le remplissage excessif et d'un collet pour protéger la soupape de la bonbonne.

- L'appareil de chauffage doit être en position verticale pendant son fonctionnement.
- Assurez-vous que le bouton de commande à quatre positions est à la position "OFF (Arrêt)" (voir figure 1, à gauche).
- Vissez un des raccords du tuyau dans le régulateur de l'appareil de chauffage et vissez l'autre dans la soupape de la bonbonne de gaz propane liquéfié. Serrez tous les raccords de tuyau. NE PAS utiliser du produit d'étanchéité pour filetages sur l'une de ces connexions.
- Vérifiez les fuites en enduisant d'eau savonneuse le raccord fileté situé sous le couvercle bombé en plastique, là où le raccord se visse dans le régulateur, et celui situé à la bonbonne de gaz. VOYEZ L'AVERTISSEMENT! SUR LE COUVERCLE DE PLASTIQUE.
- Ouvrez la soupape de la bonbonne de gaz liquéfié.
- Déprimez légèrement et tournez le Bouton de commande en sens inverse des aiguilles d'une montre à la position "PILOTE", déprimez complètement pour enflammer le pilote et tenir depuis 30-60 secondes. Répétez-vous jusqu'aux lampes témoin.
- Après le fait d'allumer le pilote, libérez le Bouton, le Bouton devrait revenir à la position complètement prolongée. Pour faire marcher le chauffage, déprimez légèrement le bouton et tournez doucement pour vous bloquer dans la position désirée.
- Le Bouton de commande de Tour "à SALUT" la position pour al-

⚠ lumer le chauffage. Le congé sur "SALUT" la position jusqu'à la tuile de brûleur tourne l'orange brillante.

ATTENTION : Une fois que le bloc a atteint cette couleur vive, réglez la sortie de chaleur en tournant le bouton de commande à la

⚠ position désirée, soit HI (Élevé) ou LO (Bas).

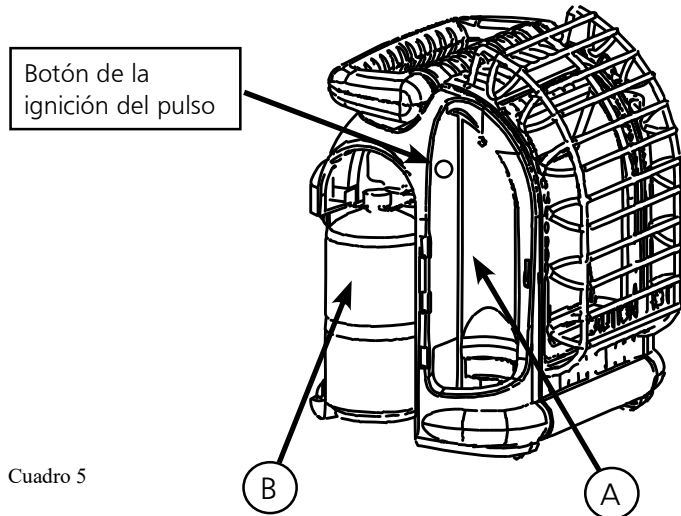
AVERTISSEMENT : NE FAITES PAS FONCTIONNER L'APPAREIL DE CHAUFFAGE SI LE BOUTON DE COMMANDE N'EST PAS BIEN EN

PLACE DANS UNE DES POSITIONS SUIVANTES : HI (Élevé), LO (Bas), PILOT (Veilleuse).

- Pour éteindre l'appareil de chauffage, fermez l'approvisionnement en gaz sur la bonbonne, laissez l'appareil s'éteindre de lui-même après avoir épuisé le gaz restant dans le tuyau, enfoncez légèrement le bouton de commande et tournez-le dans le sens des aiguilles d'une montre à la position OFF (Arrêt).
- **ATTENTION** : Après avoir éteint l'appareil de chauffage, la grille protectrice restera chaude. Laissez-la refroidir complètement avant de remettre l'appareil.
- La bonbonne doit être fermée lorsque l'appareil de chauffage ne fonctionne pas. Si la bonbonne est raccordée à l'appareil de chauffage, l'ensemble doit être remis à l'extérieur, dans un endroit bien aéré, hors de la portée des enfants et ne doit pas être remis dans un édifice, un garage ou tout autre endroit fermé.
- Il n'est permis de remettre l'appareil de chauffage à l'intérieur que s'il n'est plus raccordé à la bonbonne. Les bonbonnes doivent être remises à l'extérieur, hors de la portée des enfants, et ne doivent pas être remises dans un édifice, un garage ou tout autre endroit fermé.

Compartiments de mémoire

El MH12HB tiene dos compartimentos del almacenamiento, con las puertas de acceso, en el lado izquierdo del del. El botón de la luz del pulso está situado en el compartimento delantero (Ref.A). Este compartimento se puede también utilizar para salvar las pequeñas herramientas o los filtros de combustible de repuesto (no incluidos).



Cuadro 5

IGNICIÓN DEL PULSO:

El botón de la ignición del pulso está situado en el compartimento delantero del almacenamiento (Ref.5).

Desatornille el casquillo del botón para instalar la batería del "AA" (incluida), con el extremo positivo hacia el botón.

ENTRETIEN :

Conservez les alentours de l'appareil de chauffage propres et libres de matériaux combustibles, d'essence ou d'autres liquides ou vapeurs inflammables.

Conservez les espaces de ventilation (les fentes à l'avant en haut et en bas) dégagés en tout temps.

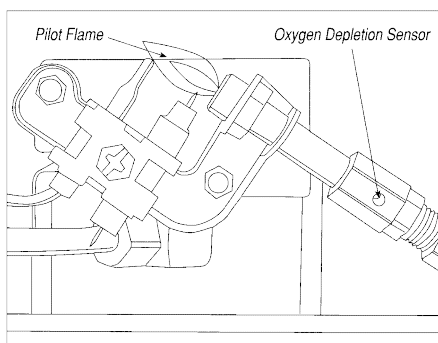


Figure 5

Inspectez visuellement la flamme de la veilleuse et le brûleur régulièrement au cours de l'utilisation. La flamme de la veilleuse doit être bleue, et non jaune, et s'étendra au-delà du thermocouple. La flamme doit entourer le thermocouple juste en-dessous de son extrémité (voir Figure 2, ci-dessous). Il est possible qu'une faible flamme jaune apparaisse là où se rencontrent la flamme veilleuse et la flamme principale du brûleur. Le brûleur doit être orange vif (avec un peu de bleu sur le contour; une brume rouge orangée visible sur le bloc céramique est acceptable) sans flamme apparente. Une flamme bleue qui s'échappe du bloc céramique indique une accumulation de poussière, de fibres ou de toiles d'araignée à l'intérieur du boîtier ou du compartiment du brûleur. Si la flamme veilleuse est jaune ou que le brûleur dégage une flamme visible, un nettoyage s'impose. Respectez la méthode suivante pour inspecter le boîtier et le compartiment du brûleur.

Il est nécessaire de vérifier régulièrement l'orifice du brûleur et son tube diffuseur pour vous assurer qu'ils sont dégagés des nids d'insectes et des fils d'araignées qui s'y accumulent avec le temps. Un tube obstrué peut causer un incendie.

- 1 Laissez l'appareil de chauffage refroidir complètement avant d'en effectuer l'entretien.
- 2 Enlevez la bouteille jetable de gaz de 500 g de l'appareil de chauffage ou fermez l'alimentation à partir de la bonbonne distante et retirez le tuyau de l'appareil de chauffage.
- 3 Enlevez la grille protectrice de l'avant de l'appareil de chauffage en la pliant légèrement pour la sortir des trous du couvercle avant.
- 4 Enlevez la vis retenant le compartiment du brûleur du dessous de l'appareil de chauffage.
- 5 Retirez le compartiment du devant de l'appareil de chauffage.
- 6 Vérifiez à l'intérieur du boîtier la présence de poussière, de fibres ou de toiles d'araignée. Au besoin, nettoyez l'intérieur du boîtier à l'aide d'un aspirateur ou d'air comprimé. N'endommagez aucune pièce du boîtier au cours du nettoyage.
- 7 Inspectez et nettoyez l'orifice du brûleur principal (monté sur le support de la veilleuse avec un contre-écrou) à l'aide d'un aspirateur ou d'air comprimé.
- 8 Inspectez et nettoyez la veilleuse (installée sur le support) à l'aide d'un aspirateur ou injectez de l'air comprimé dans les trous de la veilleuse, indiqués par les flèches de la figure 2, à gauche.
AVERTISSEMENT : N'utilisez jamais d'aiguilles, de broches ou d'autres objets de ce type pour nettoyer la veilleuse afin d'éviter d'endommager la pointe calibrée qui contrôle le débit du gaz.
- 9 Injectez de l'air comprimé sur le bloc céramique du compartiment du brûleur et sur le tube diffuseur (avec un cône au bout) pour enlever la poussière, les fibres et les toiles d'araignée.
- 10 Assurez-vous que l'assemblage du bloc de brûleur est tout à fait en place contre le réflecteur.
- 11 Glissez soigneusement le compartiment du brûleur dans le boîtier en vous assurant de centrer la bride du réflecteur sur l'ouverture du boîtier et maintenez-le en place en vissant la vis du compartiment dans le bas de l'appareil.
- 12 Réinstallent la ligne du combustible et vérifient pour les fuites.
- 13 Installent le chauffage couvrant en arrière .

DÉPANNAGE :

Si l'électrode ne produit pas d'étincelle.

VÉRIFIEZ

- L'électrode d'étincelle cassée – remplace ODS (le Détecteur d'Épuisement d'Oxygène).
- Si le fil de l'allumeur n'est plus fixé à l'électrode ou le fil de mise à la terre n'est plus fixé au châssis : à fixer.
- Si le fil de l'allumeur est endommagé : à remplacer.
- Si l'allumeur piézo est défectueux : à remplacer.

Si l'électrode produit une étincelle mais que la veilleuse ne s'allume pas.

VÉRIFIEZ

- S'il n'y a pas de gaz dans l'appareil : installez une bouteille jetable ou raccordez le tuyau et ouvrez la soupape de la bonbonne.
- Si le bouton de commande n'est pas bien aligné avec la position PILOT (VEILLEUSE) : tournez-le à la position PILOT (VEILLEUSE) et enfoncez-le.
- Si la veilleuse est obstruée par des fils d'araignée ou de la saleté : nettoyez-la (voir ENTRETIEN).

Si la flamme de la veilleuse ne reste pas allumée lorsque vous relâchez le bouton

VÉRIFIEZ

- Si le bouton de commande n'est pas complètement enfoncé en position PILOT (VEILLEUSE) ou n'est pas tenu enfoncé assez longtemps pour extraire tout l'air du tuyau.
- Si la flamme de la veilleuse n'entoure pas le thermocouple : nettoyez la veilleuse (voir ENTRETIEN).
- Si l'assemblage de la veilleuse est défectueux : remplacez-le.

Si le brûleur principal ne s'allume pas.

VÉRIFIEZ

- Si l'orifice du brûleur principal est obstrué : nettoyez le brûleur (voir ENTRETIEN).

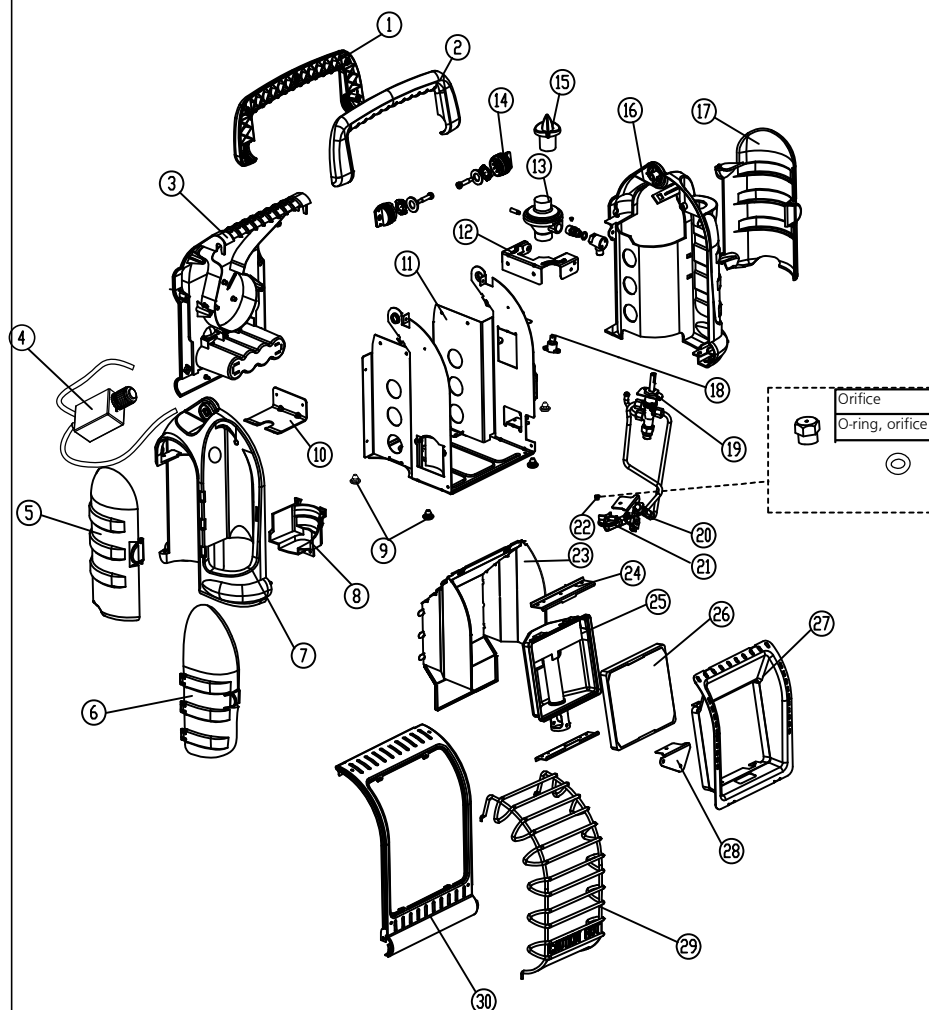
Si l'appareil ne cesse de s'éteindre pendant un fonctionnement normal.

VÉRIFIEZ

- Si la veilleuse est obstruée : nettoyez-la (voir ENTRETIEN).
- Si l'interrupteur de bascule a été activé en heurtant l'appareil : allumez-le de nouveau.
- Régulateur défectueux. Remplacez le régulateur.
- La contamination Intérieure - Remplacent la valve de contrôle et le régulateur.
- Appellent des Services Techniques pour les renseignements supplémentaires.



F273699 - Filtre à combustible
Accessoires Non Compris



ACCESSOIRES:

N ART	DESCRIPTION
F273701	ASSEMBLAGE DE TUYAU POUR PROPANE 1,5 m (orientable 2,4 cm - 20 Filet extérieur - Bonbonne jetable X P.O.L. avec volant) (Utilisation recommandée avec le filtre d'essence.)
F273702	ASSEMBLAGE DE TUYAU POUR PROPANE 3,6 m (orientable 2,4 cm - 20 Filet extérieur - Bonbonne jetable X P.O.L. avec volant) (Utilisation recommandée avec le filtre d'essence.)
F272702	ASSEMBLAGE DE TUYAU POUR PROPANE 3,6 m (orientable 2,4 cm - 20 Filet extérieur - Bonbonne jetable X P.O.L. avec volant) (Utilisation recommandée avec le filtre d'essence.)
F273699	Filtre à combustible (À remplacer annuellement)
F273704	10 ENSEMBLE de TUYAU de pi BUDDY-SERIES (filtre d'essence non exigé)

LISTE DES PIÈCES:

# DE	#	Description
RÉF.	ART.	
1.	32098	Traitement (arrière)
2.	32099	Traitement (avant)
3.	32129	Assemblée de panneau arrière
4.	32145	Bougie d'impulsion
5.	32103	Porte gauche
6.	32104	Porte de filtre à essence
7.	32105	Logement d'aile gauche
8.	32106	Base annexe de compartiment
9.	78436	Garniture de jambe
10.	32134	Parenthèse disponible de bouteille
11.	32128	Panneau inférieur

12.	32135	Parenthèse de régulateur
13.	32147	Assemblée de régulateur
14.	32108	Base de traitement
15.	32123	Molette, noir
16.	32109	Logement de côté droit
17.	32110	Porte droite
18.	32403	Extrémité au-dessus de commutateur
19.	32124	Assemblée de soupape de commande
20.	78422	Assemblée pilote
21.	32052	Adaptateur d'orifice
22.	32141	Assemblée d'orifice
23.	32111	Assemblée de bouclier thermique
24.	32114	Clip de carreau de céramique
25.	32113	Assemblée de brûleur

26.	32112	Carreau de céramique
27.	32115	Réflecteur
28.	32137	Parenthèse d'ODS
29.	32116	Dispositif protecteur de fil
30.	32125	Panneau avant
31.	32146	Garniture de tuile*

* Partie non affichée



INSTRUCTIONS DE FONCTIONNEMENT ET GUIDE D'UTILISATION

Modèle #

MH12HB

AVERTISSEMENT:

- N'UTILISEZ QUE LES PIÈCES DE REMPLACEMENT DU FABRICANT. L'UTILISATION D'AUTRES PIÈCES RISQUE DE CAUSER DES BLESSURES ET LA MORT. LES PIÈCES DE REMPLACEMENT NE SONT OFFERTES QUE PAR LE FABRICANT ET DOIVENT ÊTRE INSTALLÉES PAR UNE ENTREPRISE SPÉCIALISÉE. LES TUYAUX NUMÉROS **F273701** ET **273702**, AINSI QUE LE FILTRE À COMBUSTIBLE JETABLE **F273699** (À REMPLACER ANNUELLEMENT) DE MR. HEATER SONT SPÉCIALEMENT CONÇUS POUR CET APPAREIL DE CHAUFFAGE.

AVERTISSEMENT:

- CE PRODUIT EST UN CHAUFFE. IT est certifié CSA INTERNATIONAL EXIGENCE SECTION 4.98, "AU GAZ CHAUFFE PORTABLE POUR USAGE RÉCRÉATIF OU COMMERCIAL." CE PRODUIT EST JAMAIS UTILISER POUR LA CUISSON OU RÉCHAUFFEMENT DES ALIMENTS EN TANT QUE CELA PEUT PORTER ATTEINTE DES SYSTEMES DE SECURITE DE L'APPAREIL, QUI PEUT PROVOQUER UN INCENDIE, EXPLOSION, LA PRODUCTION DE MORTEL DE MONOXYDE DE CARBONE, ET BLESSURES OU LA MORT POUR VOUS OU AUTRES. NE JAMAIS UTILISER FAIT MAIN OU TIERS ACCESSOIRES OU ACCESSOIRES AVEC CET APPAREIL; CECI EST EXTRÊMEMENT DANGEREUX ET PEUT PROVOQUER DES BLESSURES OU LA MORT POUR VOUS OU AUTRES.

INFORMATION SUR LA COMMANDE DE PIÈCES :

ACHAT : Il est possible d'acheter les accessoires chez tous les détaillants Mr. Heater ou directement du fabricant.

POUR OBTENIR DES INFORMATIONS SUR LE SERVICE

Appelez sans frais au 800-251-0001
www.mrheater.com

Nos heures de bureau sont de 8 h 00 à 17 h HE, du lundi au vendredi

Veuillez indiquer le numéro du modèle, la date d'achat et la description du problème dans toutes vos communications avec nous..

GARANTIE LIMITÉE

Enerco Group Inc. garantit ses appareils de chauffage et ses accessoires contre les défauts de matériel et de main-d'œuvre pour une période de un an à partir de la date d'achat. Enerco Group Inc. réparera ou remplacera ce produit sans frais s'il est démontré qu'il est devenu défectueux pendant la période de un an et qu'il est retourné à Enerco Group Inc. aux frais de l'acheteur avec une preuve d'achat, au cours de la période de garantie. La présente garantie donne des droits spécifiques, et vous pouvez avoir d'autres droits qui varient d'un État à État.

Mr. Heater, Inc. se réserve le droit d'effectuer des modifications en tout temps, sans préavis ni obligation, aux couleurs, aux spécifications, aux accessoires, aux matériaux et aux modèles.

ENREGISTREMENT DU PRODUIT : Nous vous remercions pour votre achat.
Veuillez vous connecter à <http://www.egiregistration.com> pour enregistrer votre produit.

MR. HEATER, INC., 4560 W. 160TH ST., CLEVELAND, OHIO 44135 • 800-251-0001
Mr. Heater and Portable Buddy are registered trademarks of Enerco Group, Inc.

© 2017, Enerco/Mr. Heater. All rights reserved



ANS Z21.63. • CSA 11.3 - 2011