

Transfer 26 Microbubble Massage Walk In Bathtub (Wheelchair Accessible)



OLA2652M-L-HB Left Drain



OLA2652M-R-HB Right Drain

Actual Size: 26'' W x 52'' L x 42'' H
 Shipping Size: 28'' W x 54'' L x 50'' H
 Shipping Weight: 300lbs.
 Net Weight: 220lbs.
 Water Capacity: 90 gal. US (unoccupied)
 55-75 gal. US (occupied)
 Approx. Drain Time: +/- 2 minutes (unoccupied bathtub)
 at ideal home plumbing conditions
 Approx. Fill Time: 18 Gallons per minute
 based on in-house water pressure
 (Disclaimer: Drainage time depends on house drain conditions.)

Options:

- Left or Right Hinged Door

Included Features:

1. Acrylic Tub Shell:
 - High quality acrylic
 - Excellent color uniformity
 - High Gloss White Finish
 - Fiberglass Reinforced
2. Low threshold step in 7''
3. Stainless Steel Frame with Adjustable Leveling Legs
4. Seat: 19.5'' W x 19'' H x 19'' L
5. One (1) front and one (1) end removable access panels
6. Wall mounted stainless steel safety grab bar in plated chrome finish
7. L-shaped door for wheelchair accessible
8. MicroBubble Therapy System (10AMP 1,200W)
 - 1HP Pump
 - Pressure Vessel
 - Air Switch and one (1) jet
 - Agitator Valve
9. Five-Piece Fast Fill Huntington Brass Roman faucet set (chrome finish)
 - 18 GPM (Average) @ 60 PSI
 - Pull out, hand held, chrome plated shower with 5 ft. retractable stainless steel braided hose

Plumbing:

- Two (2) x 5' long stainless steel braided water supply lines with 3/4'' IPS connectors
- Two (2) x 2'' floor drains
- Two (2) PVC 2'' drain elbows

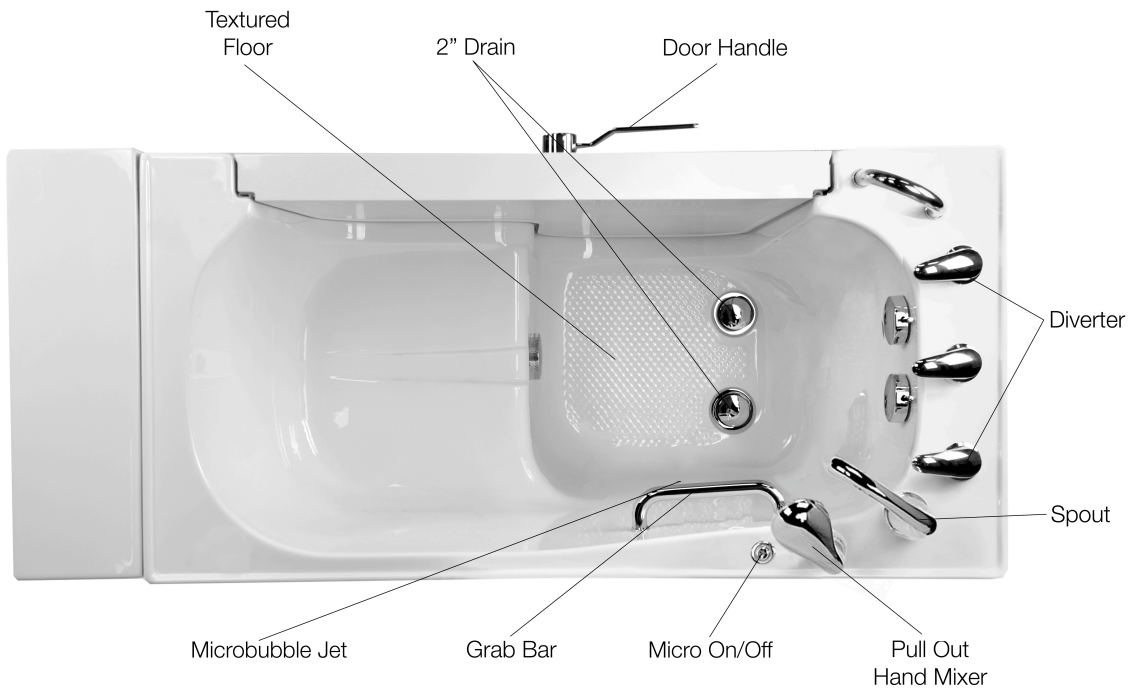
Electrical:

Electrical requirement is one dedicated 120 V electrical line with a 20AMP GFCI standard three prong outlet

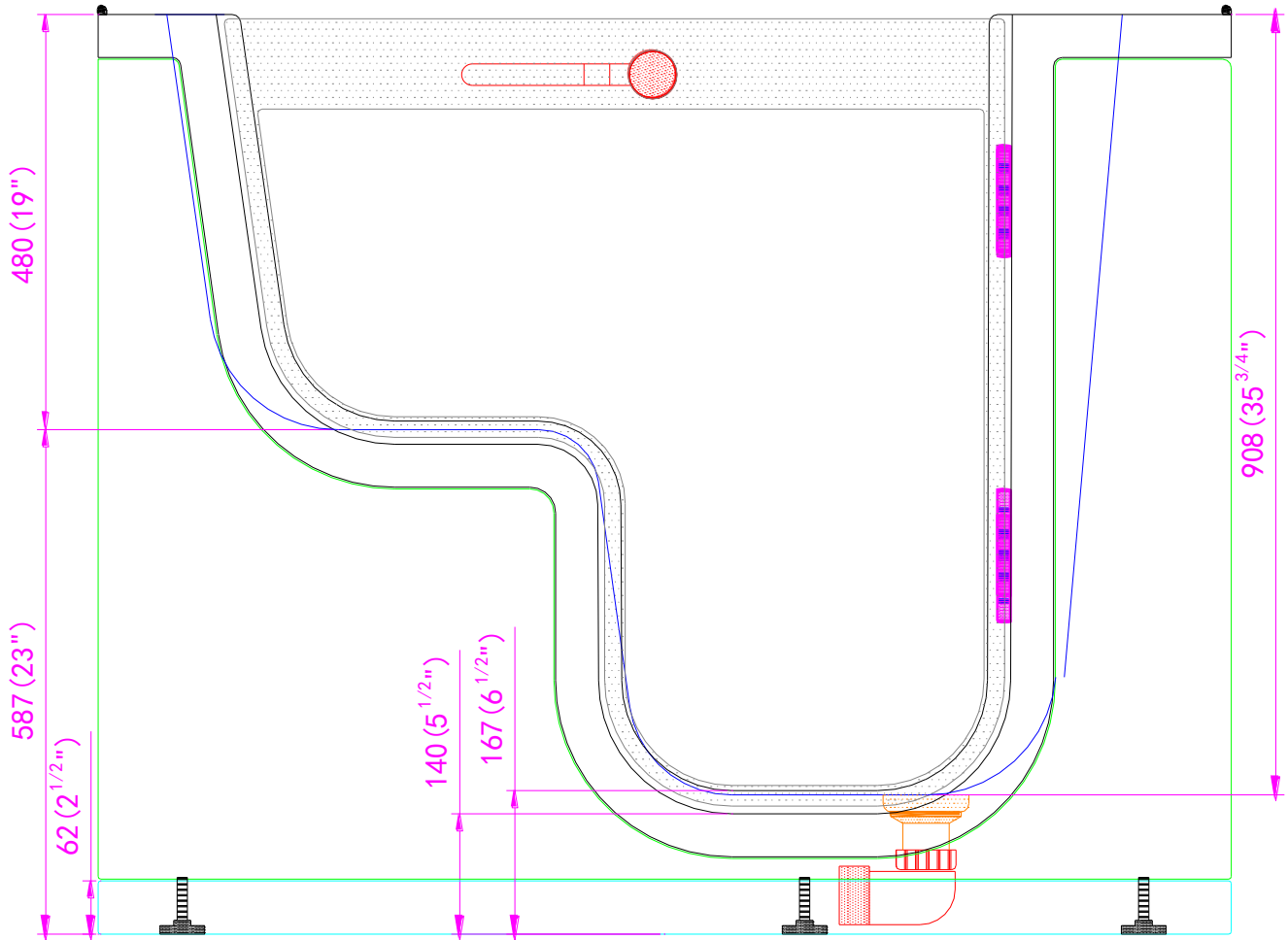
Warranty:

- Lifetime limited warranty on acrylic walk in tub shell, frame, and door.
- 5 Year parts warranty*

Transfer 26 Microbubble Massage Walk In Bathtub (Wheelchair Accessible)



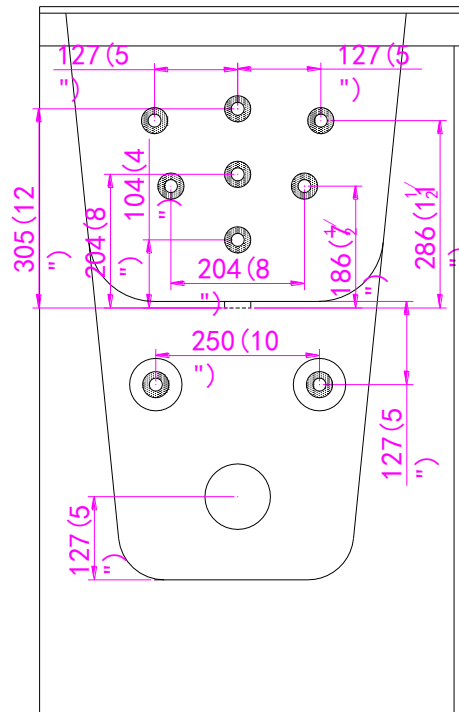
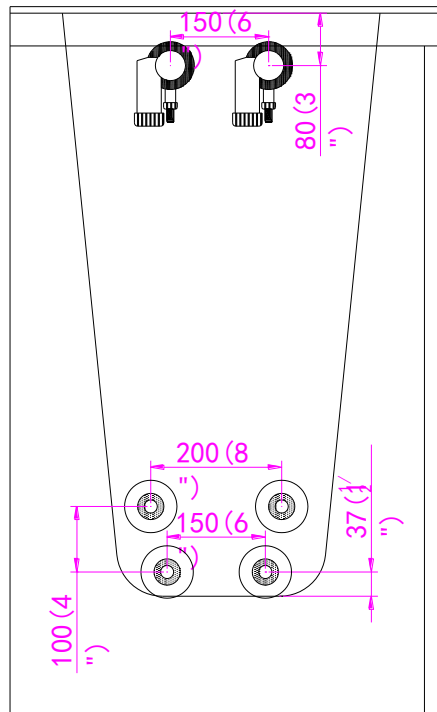
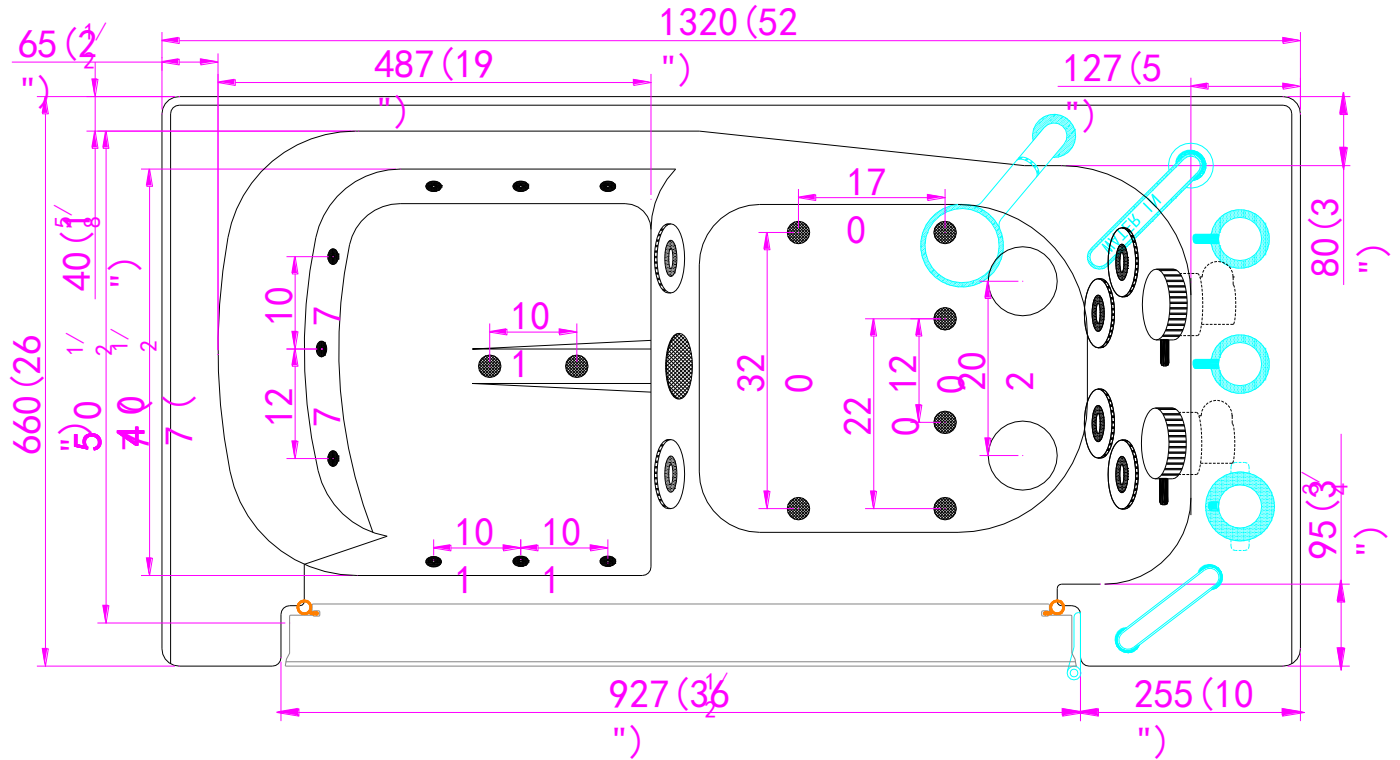
Transfer 26 Microbubble Massage Walk In Bathtub (Wheelchair Accessible)



Disclaimer:

In an effort to continually improve our product, specifications and configurations are subject to change without notice. Before ordering or installing, consider future access to essential equipment.

Transfer 26 Microbubble Massage Walk In Bathtub (Wheelchair Accessible)



Disclaimer:
In an effort to continually improve our product, specifications and configurations are subject to change without notice. Before ordering or installing, consider future access to essential equipment.