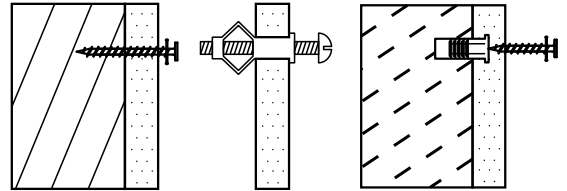


## WALL INSTALLATION

Hardware for installation not included.

### DETERMINE WALL TYPE AND SELECT HARDWARE

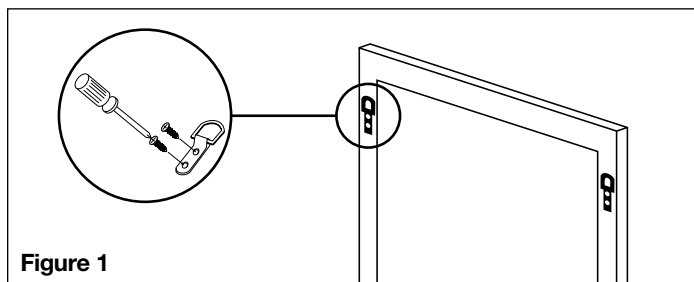
- For wall stud installation, insert #12 x 3 in. screws with washers into the stud locations (not included).
- For drywall installation, drill holes at the appropriate locations and insert toggle bolts with washers (not included).
- For concrete wall installation, drill 1/4 in. holes at the appropriate locations and insert #12 wall anchors, followed by #12 x 3 in. screws (not included).



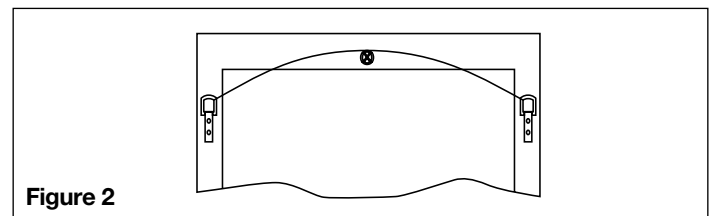
### Mirrors

#### INSTALLING THE HANGING BRACKETS

- Attach the hanging brackets to the back of the mirror using the included screws (Figure 1).



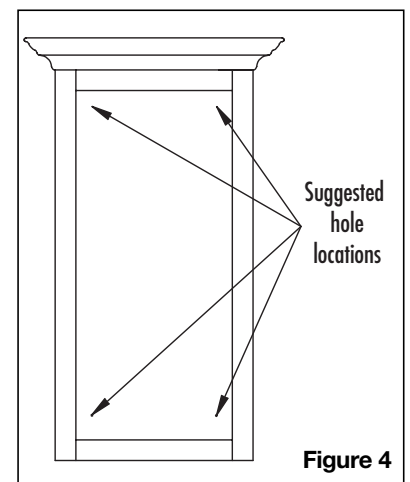
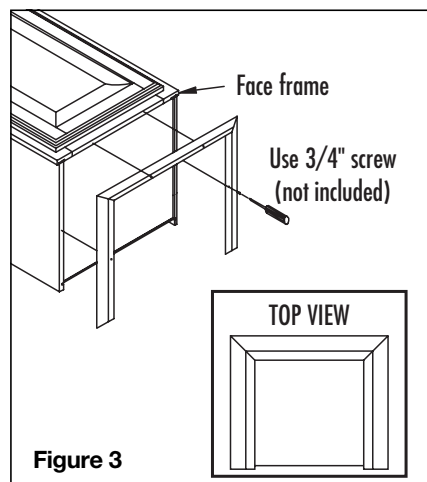
- If you choose to use hanging wire (not included), it must be capable of supporting 75 lbs. minimum. Attach wire to brackets as shown below (Figure 2).
- Once the mounting hardware is installed, hang the mirror from the hardware using the hanging brackets or the hanging wire (not included).



### BATH STORAGE CABINETS / WALL HUTCHES]

Depending on the model, matching crown moulding may be included with the cabinet.

- Options for crown attachment: #6 x 3/4 in. wood screws or brad nails. To install, simply set the moulding on top of the cabinet. Make sure the moulding is aligned side to side on the face frame. Additionally, make sure the front, bottom edge of the crown moulding lines up with the outer edge of the door.
- If using wood screws, pre-drill a pilot hole through the crown into the face frame with a 1/8 in. drill bit then secure the crown to cabinet (Figure 3).
- To hang cabinet, it will first be necessary to locate the studs in the wall (in some cases where a stud location will not work, it will be necessary to choose the appropriate wall hardware).
- After locating the studs, you will need to pre-drill holes through the back panel.
- Place the cabinet into place, and using a #12 x 3 in. wood screw, secure the cabinet to the wall through the back panel (Figure 4).



# Care and Cleaning

---

## EXTERIOR CARE AND CLEANING

For normal spills, a damp cloth is sufficient. Remember to dry the surface immediately. Lemon oil is recommended for cleaning wood doors. Most furniture care products, not containing wax, petroleum solvents or silicone can be used for polishing. Do not use caustic agents and/or abrasive scrubbers. Nicks and dings can be repaired using the color sticks. Fill in the scratch or nick using the color stick. A Clear Coat spray may be applied if desired.

## INTERIOR CARE AND CLEANING

Cabinets can be cleaned with a damp sponge or cloth using soapy water. Do not use any type of abrasive scrubbers. Do not let liquids stay on the surfaces for a long period of time. The surface is water resistant, not waterproof.

## MIRRORS

Use a water-dampened cloth to clean the mirror frame. For the mirror, use ammonia-free cleaning products. Avoid using abrasive cleaners.

---

## RSI HOME PRODUCTS, INC. LIMITED WARRANTY

**What This Warranty Covers:** RSI Home Products, Inc. ("RSI") warrants its parts and products to be free of substantial defects in materials and workmanship from the original date of purchase under normal home use. This warranty is offered only to the original consumer purchaser and may not be transferred.

**How Long The Warranty Lasts:** Coverage for all vanity cabinets, fixed vanities, drawer banks, bath storage cabinets, linen cabinets, wall hutches, fillers, and toe kicks last for the life of the product. Coverage for medicine cabinets, mirrors, and accessories lasts for 5 years from the original date of purchase.

**What RSI Home Products Will Do Under The Warranty:** During the warranty period, RSI, at its option, will repair or replace any part or product that proves to have substantial defects in materials or workmanship, or RSI will provide an equivalent replacement product. In keeping with our policy of continuous product improvement, RSI reserves the right to change specifications in design and materials without notice and with no obligation to retrofit products we previously manufactured.

**How State Law Applies:** This warranty gives you specific legal rights, and you may also have other rights that vary from state to state.

**IMPLIED WARRANTIES:** RSI DISCLAIMS ANY IMPLIED WARRANTY OF MERCHANTABILITY, AND THERE ARE NO WARRANTIES THAT EXTEND BEYOND THE DESCRIPTIONS ON THE FACE HEREOF. TO THE EXTENT THAT SUCH DISCLAIMER IS NOT VALID UNDER APPLICABLE LAW, ANY IMPLIED WARRANTY SHALL BE COEXTENSIVE IN DURATION WITH THIS WARRANTY.

**Wood, Aging and Printing Limitations:** Because of the varying natural characteristics of wood and the effects of aging, product shown in displays and/or printed materials will not be an exact match to new cabinetry you will receive. Depending on the wood characteristics, the age of the sample and the environment of the showroom, samples will show some degree of variation from new product. In addition, you should not expect all doors, drawer fronts, trim or moulding to match exactly in either finish or grain. Variation in wood is normal and unavoidable. In addition, it is not possible to exactly match our colors in printed materials. Therefore, you should view the actual samples when making your color selection.

**What This Warranty Does Not Cover:** This warranty does not cover any problems or damage which result from improper transportation, improper installation, mishandling, misuse, abuse, neglect, abnormal use, commercial use, improper maintenance, non-RSI repairs, accidents, or acts of God, such as hurricanes, fire, earthquakes or floods. This warranty and any applicable implied warranties do not cover incidental or consequential damages arising from any defects in the product, such as labor charges for installation or removal of the product or any associated products. This warranty does not cover defects or damages caused by normal wear & tear, alterations, environmental conditions, humidity absorption, or mold. In addition, variations in wood grain, finish color, aging or other natural wood and stain characteristics are not considered defects and are not covered by this warranty. Some states do not allow the exclusion or limitation of incidental or consequential damages, so the above limitation or exclusion may not apply to you.

**How To Obtain Warranty Services:** If you need replacement parts or would like to make warranty claim, please contact our Customer Service Representative by mail, e-mail, fax, or telephone at the address or phone numbers listed on this page. All warranty claims must include the model number of the product, copy of the original receipt and the nature of the problem. In addition, RSI may at its discretion require inspection of the installation site or authorize the prepaid return of the claimed defective part. Merchandise not pre-approved for return will not be accepted and the associated claim not accepted.

If upon inspection you find our product has a damaged or missing part, it may not be necessary to return the unit to the store of purchase. Please contact RSI Customer Service to obtain a replacement part.