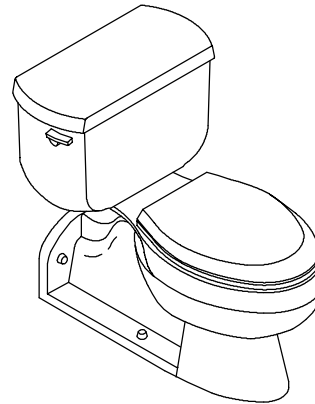


FEATURES

- 4" (10.2cm) rough-in
- Rear outlet
- Vitreous china
- 12" (30.5cm) x 10" (25.4cm) water area
- Elongated bowl
- Equipped with Sloan Flushmate™ - Sloan Valve Company
- 1.6 gpf (6 lpf)
- Includes polished chrome trip lever
- Combination toilet
- Less seat and supply
- With bedpan lugs (-L)
- With right-hand trip lever (-RA)
- With tank cover locks (-T)



CODES/STANDARDS APPLICABLE

Specified model meets or exceeds the following:

- ASME/ANSI A112.19.2M
- ASME/ANSI A112.19.6M
- Energy Policy Act of 1992 (EPACT)
- IAPMO/UPC
- Canadian Standards Association (CSA)
- States of Massachusetts, New York, & Texas
- Cities of Los Angeles, CA

COLORS/FINISHES

- 0 White
- Other Refer to Price Book for additional colors

Accessories:

- 0 White
- CP Polished Chrome
- PB Polished Brass
- Other Refer to Price Book for additional colors

SPECIFIED MODEL:

Model	Description	Colors/Finishes	
K-3546	Elongated bowl toilet (left hand trip lever)	<input type="checkbox"/> 0 White	<input type="checkbox"/> Other _____
K-3546-T	Toilet with tank cover locks (left hand trip lever)	<input type="checkbox"/> 0 White	<input type="checkbox"/> Other _____
K-4404 & K-4327-L	Toilet with bed pan lugs (left hand trip lever)	<input type="checkbox"/> 0 White	<input type="checkbox"/> Other _____
K-3546-RA	Elongated bowl toilet (right hand trip lever)	<input type="checkbox"/> 0 White	<input type="checkbox"/> Other _____
K-4404-TR & K-4327	Toilet with tank cover locks (right hand trip lever)	<input type="checkbox"/> 0 White	<input type="checkbox"/> Other _____
K-4404-RA & K-4327-L	Toilet with bed pan lugs (right hand trip lever)	<input type="checkbox"/> 0 White	<input type="checkbox"/> Other _____

Recommended Accessories			
K-4652	Lustra™ seat with cover	<input type="checkbox"/> 0 White	<input type="checkbox"/> Other _____
K-4652-A	Lustra™ seat with cover (includes anti-microbial agent)	<input type="checkbox"/> 0 White	
K-7637	Angle supply with stop	<input type="checkbox"/> CP	<input type="checkbox"/> PB <input type="checkbox"/> Other _____

Optional Accessories			
K-9436-L	Trip lever, left-hand (non-CP)	<input type="checkbox"/> PB	<input type="checkbox"/> Other _____
K-9436-R	Trip lever, right-hand (non-CP)	<input type="checkbox"/> PB	

PRODUCT SPECIFICATION:

The elongated rear outlet toilet combination shall be 4" (10.2cm) rough-in equipped with Sloan Flushmate™ - Sloan Valve Company. Toilet shall be made of vitreous china. Toilet shall have 12" (30.5cm) x 10" (25.4cm) water area. Toilet shall be 1.6 gpf (6 lpf). Toilet shall include polished chrome trip lever. Toilet shall be less seat and supply. Toilet shall include bedpan lugs (-L). Toilet shall have right-hand trip lever (-RA). Toilet shall have tank cover locks (-T). Toilet shall be Kohler Model K-_____.

PRODUCT INFORMATION

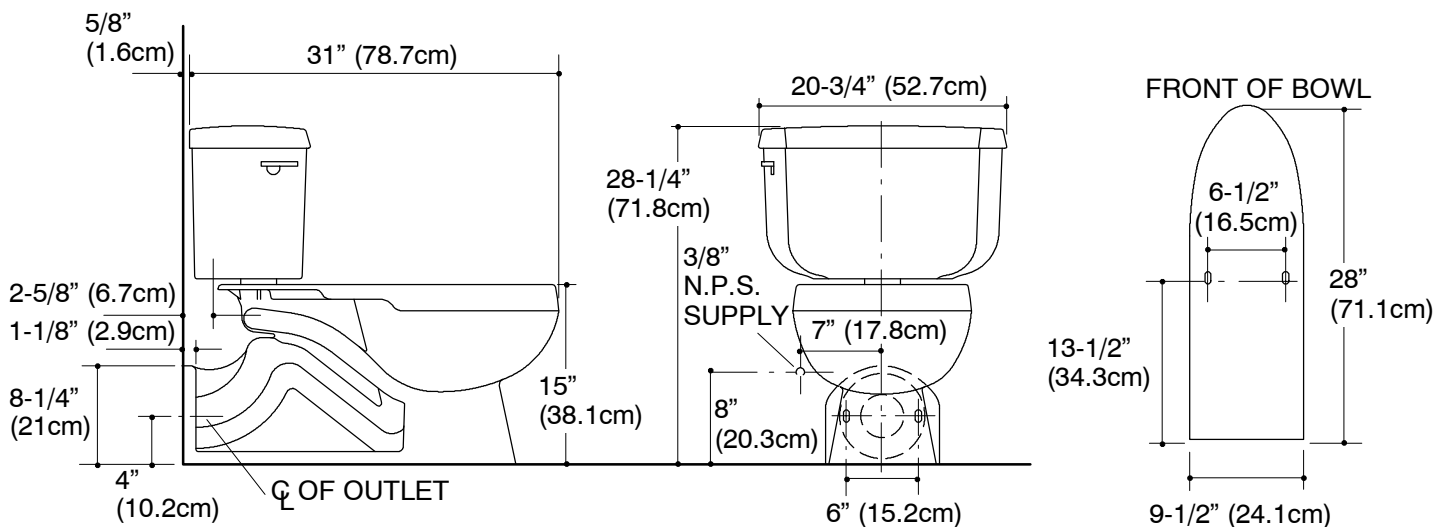
Fixture:	
Configuration	2-piece, elongated
Water per flush	1.6 gallons (6L)
Passageway	2-1/4" (5.7cm)
Water area	12" (30.5cm) x 10" (25.4cm)
Water depth from rim	7" (17.8cm)
Seat post hole centers	5-1/2" (14cm)
Minimum static pressure required	20 p.s.i. (1.4kg/cm ²)
Maximum static pressure	80 p.s.i. (5.6kg/cm ²)
Included Components*:	
Bowl	K-4327
Tank	K-4404
Tank cover	81449
Floor screws & bolt caps	52049
Bolt cap accessory pack	52048
Tank accessory pack	73062
Trip lever, left hand	K-9436-L
Trip lever, right hand	K-9436-R
* Equipped with Sloan Flushmate™ - Sloan Valve Company	

INSTALLATION NOTES

Install this product according to the installation guide.

For back to back installations, the toilet shall be connected to the vertical stack using one of the three following fittings:

- A double fixture fitting.
- A double combination wye and 1/8 bends.
- A double wye and 1/8 bends.



PRODUCT DIAGRAM