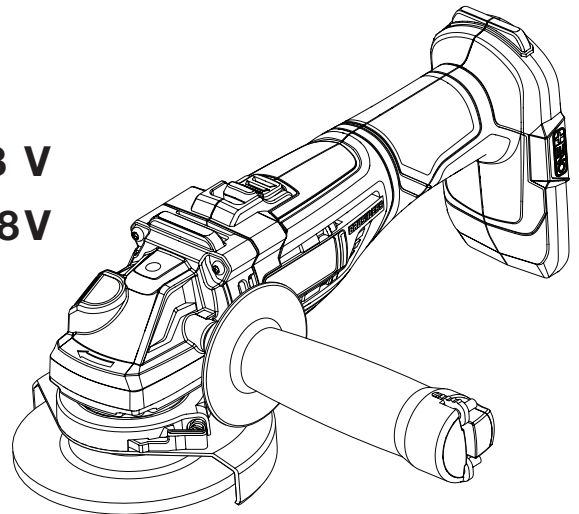




OPERATOR'S MANUAL
MANUEL D'UTILISATION
MANUAL DEL OPERADOR
18 V CUT-OFF TOOL/GRINDER
OUTIL À TRONÇONNER/MEULEUSE DE 18 V
HERRAMIENTA DE CORTE/AMOLADORA DE 18V
P423



INCLUDES: Cut-Off Tool/Grinder, Side Handle/Wrench, Grinding Wheel Guard, Grinding Wheel, Cutting Wheel Guard, Cutting Wheel, Operator's Manual

INCLUT : outil à tronçonner/meuleuse, poignée latérale/llave, garde-meule à meuler, meula, garde-meule à tronçonner, tronçonneuse, manuel del operator

INCLUYE: herramienta de corte/amoladora, mango lateral/llave, protección del disco de esmerilado, disco de esmerilado, protección del disco de corte, disco de corte, manual del operador

TABLE OF CONTENTS

- General Power Tool Safety Warnings.....2-3
- Cut-Off Tool/Grinder Safety Warnings.....3-5
- Symbols.....6
- Features.....7
- Assembly.....7-8
- Operation.....9-11
- Maintenance.....11
- Illustrations12-14
- Parts Ordering and ServiceBack page

TABLE DES MATIÈRES

- Avertissements de sécurité générales relatives aux outils électriques.....2-3
- Avertissements de sécurité relatifs au outil à tronçonner/meuleuse3-5
- Symboles.....6
- Caractéristiques7
- Assemblage.....7-8
- Utilisation9-11
- Entretien11
- Illustrations12-14
- Commande de pièces et dépannagePage arrière

ÍNDICE DE CONTENIDO

- Advertencias de seguridad para herramientas eléctrica..... 2-3
- Advertencias de seguridad para herramienta de corte/amoladora ... 3-5
- Símbolos.....6
- Características.....7
- Armado 7-8
- Funcionamiento 9-11
- Mantenimiento.....11
- Ilustraciones..... 12-14
- Pedidos de piezas y servicio..... Pág. posterior

⚠ WARNING: To reduce the risk of injury, the user must read and understand the operator's manual before using this product.

⚠ AVERTISSEMENT : Pour réduire les risques de blessures, l'utilisateur doit lire et veiller à bien comprendre le manuel d'utilisation avant d'employer ce produit.

⚠ ADVERTENCIA: Para reducir el riesgo de lesiones, el usuario debe leer y comprender el manual del operador antes de usar este producto.

SAVE THIS MANUAL FOR FUTURE REFERENCE

CONSERVER CE MANUEL POUR FUTURE RÉFÉRENCE

GUARDE ESTE MANUAL PARA FUTURAS CONSULTAS

GENERAL POWER TOOL SAFETY WARNINGS



WARNING

Read all safety warnings and all instructions. Failure to follow the warnings and instructions may result in electric shock, fire, and/or serious injury.

Save all warnings and instructions for future reference.

The term “power tool” in the warnings refers to your mains-operated (corded) power tool or battery-operated (cordless) power tool.

WORK AREA SAFETY

- **Keep work area clean and well lit.** Cluttered or dark areas invite accidents.
- **Do not operate power tools in explosive atmospheres, such as in the presence of flammable liquids, gases or dust.** Power tools create sparks which may ignite the dust or fumes.
- **Keep children and bystanders away while operating a power tool.** Distractions can cause you to lose control.

ELECTRICAL SAFETY

- **Power tool plugs must match the outlet. Never modify the plug in any way. Do not use any adapter plugs with earthed (grounded) power tools.** Unmodified plugs and matching outlets will reduce risk of electric shock.
- **Avoid body contact with earthed or grounded surfaces, such as pipes, radiators, ranges and refrigerators.** There is an increased risk of electric shock if your body is earthed or grounded.
- **Do not expose power tools to rain or wet conditions.** Water entering a power tool will increase the risk of electric shock.
- **Do not abuse the cord. Never use the cord for carrying, pulling or unplugging the power tool. Keep cord away from heat, oil, sharp edges or moving parts.** Damaged or entangled cords increase the risk of electric shock.
- **When operating a power tool outdoors, use an extension cord suitable for outdoor use.** Use of a cord suitable for outdoor use reduces the risk of electric shock.
- **If operating a power tool in a damp location is unavoidable, use a ground fault circuit interrupter (GFCI) protected supply.** Use of a GFCI reduces the risk of electric shock.
- **Use battery only with charger listed.** For use with 18V lithium-ion battery packs, see tool/appliance/battery pack/charger correlation supplement 987000-432.

PERSONAL SAFETY

- **Stay alert, watch what you are doing and use common sense when operating a power tool. Do not use a power tool while you are tired or under the influence of drugs, alcohol or medication.** A moment of inattention while operating power tools may result in serious personal injury.

- **Use personal protective equipment. Always wear eye protection.** Protective equipment such as dust mask, non-skid safety shoes, hard hat, or hearing protection used for appropriate conditions will reduce personal injuries.
- **Prevent unintentional starting. Ensure the switch is in the off-position before connecting to power source and/or battery pack, picking up or carrying the tool.** Carrying power tools with your finger on the switch or energising power tools that have the switch on invites accidents.
- **Remove any adjusting key or wrench before turning the power tool on.** A wrench or a key left attached to a rotating part of the power tool may result in personal injury.
- **Do not overreach. Keep proper footing and balance at all times.** This enables better control of the power tool in unexpected situations.
- **Dress properly. Do not wear loose clothing or jewelry. Keep your hair, clothing and gloves away from moving parts.** Loose clothes, jewelry or long hair can be caught in moving parts.
- **If devices are provided for the connection of dust extraction and collection facilities, ensure these are connected and properly used.** Use of dust collection can reduce dust-related hazards.
- **Do not let familiarity gained from frequent use of tools allow you to become complacent and ignore tool safety principles.** A careless action can cause severe injury within a fraction of a second.
- **Do not wear loose clothing or jewelry.** Contain long hair. Loose clothes, jewelry, or long hair can be drawn into air vents.
- **Do not use on a ladder or unstable support.** Stable footing on a solid surface enables better control of the power tool in unexpected situations.

POWER TOOL USE AND CARE

- **Do not force the power tool. Use the correct power tool for your application.** The correct power tool will do the job better and safer at the rate for which it was designed.
- **Do not use the power tool if the switch does not turn it on and off.** Any power tool that cannot be controlled with the switch is dangerous and must be repaired.
- **Disconnect the plug from the power source and/or the battery pack from the power tool before making any adjustments, changing accessories or storing power tools.** Such preventive safety measures reduce the risk of starting the power tool accidentally.
- **Store idle power tools out of the reach of children and do not allow persons unfamiliar with the power tool or these instructions to operate the power tool.** Power tools are dangerous in the hands of untrained users.
- **Maintain power tools. Check for misalignment or binding of moving parts, breakage of parts and any other condition that may affect the power tool's operation. If damaged, have the power tool repaired**

GENERAL POWER TOOL SAFETY WARNINGS

before use. Many accidents are caused by poorly maintained power tools.

- **Keep cutting tools sharp and clean.** Properly maintained cutting tools with sharp cutting edges are less likely to bind and are easier to control.
- **Use the power tool, accessories and tool bits etc. in accordance with these instructions, taking into account the working conditions and the work to be performed.** Use of the power tool for operations different from those intended could result in a hazardous situation.
- **Keep handles and grasping surfaces dry, clean and free from oil and grease.** Slippery handles and grasping surfaces do not allow for safe handling and control of the tool in unexpected situations.

BATTERY TOOL USE AND CARE

- **Recharge only with the charger specified by the manufacturer.** A charger that is suitable for one type of battery pack may create a risk of fire when used with another battery pack.
- **Use power tools only with specifically designated battery packs.** Use of any other battery packs may create a risk of injury and fire.
- **When battery pack is not in use, keep it away from other metal objects, like paper clips, coins, keys, nails, screws or other small metal objects, that can make a**

connection from one terminal to another. Shorting the battery terminals together may cause burns or a fire.

- **Under abusive conditions, liquid may be ejected from the battery; avoid contact. If contact accidentally occurs, flush with water. If liquid contacts eyes, additionally seek medical help.** Liquid ejected from the battery may cause irritation or burns.
- **Do not use a battery pack or tool that is damaged or modified.** Damaged or modified batteries may exhibit unpredictable behavior resulting in fire, explosion, or risk of injury.
- **Do not expose a battery pack or tool to fire or excessive temperature.** Exposure to fire or temperature above 265° F may cause explosion.
- **Follow all charging instructions and do not charge the battery pack or tool outside the temperature range specified in the instructions.** Charging improperly or at temperatures outside the specified range may damage the battery and increase the risk of fire.

SERVICE

- **Have your power tool serviced by a qualified repair person using only identical replacement parts.** This will ensure that the safety of the power tool is maintained.
- **Never service damaged battery packs.** Service of battery packs should only be performed by the manufacturer or authorized service provider.

CUT-OFF TOOL/GRINDER SAFETY WARNINGS

SAFETY WARNINGS COMMON FOR GRINDING OR ABRASIVE CUTTING-OFF OPERATIONS

- **This power tool is intended to function as a grinder or cutoff tool. Read all safety warnings, instructions, illustrations and specifications provided with this power tool.** Failure to follow all instructions listed below may result in electric shock, fire and/or serious injury.
- **Operations such as sanding, wire brushing, or polishing are not recommended to be performed with this power tool.** Operations for which the power tool was not designed may create a hazard and cause personal injury.
- **Do not use accessories which are not specifically designed and recommended by the tool manufacturer.** Just because the accessory can be attached to your power tool, it does not assure safe operation.
- **The rated speed of the accessory must be at least equal to the maximum speed marked on the power tool.** Accessories running faster than their rated speed can break and fly apart.

- **The outside diameter and the thickness of your accessory must be within the capacity rating of your power tool.** Incorrectly sized accessories cannot be adequately guarded or controlled.
- **Threaded mounting of accessories must match the grinder spindle thread. For accessories mounted by flanges, the arbour hole of the accessory must fit the locating diameter of the flange.** Accessories that do not match the mounting hardware of the power tool will run out of balance, vibrate excessively and may cause loss of control.
- **Do not use a damaged accessory. Before each use inspect the accessory such as abrasive wheels for chips and cracks, backing pad for cracks, tear or excess wear, wire brush for loose or cracked wires. If power tool or accessory is dropped, inspect for damage or install an undamaged accessory. After inspecting and installing an accessory, position yourself and bystanders away from the plane of the rotating accessory and run the power tool at maximum no-load speed for one minute.** Damaged accessories will normally break apart during this test time.

CUT-OFF TOOL/GRINDER SAFETY WARNINGS

- **Wear personal protective equipment. Depending on application, use face shield, safety goggles or safety glasses. As appropriate, wear dust mask, hearing protectors, gloves and workshop apron capable of stopping small abrasive or workpiece fragments.** The eye protection must be capable of stopping flying debris generated by various operations. The dust mask or respirator must be capable of filtering particles generated by your operation. Prolonged exposure to high intensity noise may cause hearing loss.
- **Keep bystanders a safe distance away from work area. Anyone entering the work area must wear personal protective equipment.** Fragments of workpiece or of a broken accessory may fly away and cause injury beyond immediate area of operation.
- **Hold the power tool by insulated gripping surfaces only, when performing an operation where the cutting tool may contact hidden wiring.** Contact with a “live” wire will also make exposed metal parts of the power tool “live” and could give the operator an electric shock.
- **Position the cord clear of the spinning accessory.** If you lose control, the cord may be cut or snagged and your hand or arm may be pulled into the spinning accessory.
- **Never lay the power tool down until the accessory has come to a complete stop.** The spinning accessory may grab the surface and pull the power tool out of your control.
- **Do not run the power tool while carrying it at your side.** Accidental contact with the spinning accessory could snag your clothing, pulling the accessory into your body
- **Regularly clean the power tool's air vents.** The motor's fan will draw the dust inside the housing and excessive accumulation of powdered metal may cause electrical hazards.
- **Do not operate the power tool near flammable materials.** Sparks could ignite these materials.
- **Do not use accessories that require liquid coolants.** Using water or other liquid coolants may result in electrocution or shock.

KICKBACK AND RELATED WARNINGS

Kickback is a sudden reaction to a pinched or snagged rotating wheel, backing pad, brush or any other accessory. Pinching or snagging causes rapid stalling of the rotating accessory which in turn causes the uncontrolled power tool to be forced in the direction opposite of the accessory's rotation at the point of the binding.

For example, if an abrasive wheel is snagged or pinched by the workpiece, the edge of the wheel that is entering into the pinch point can dig into the surface of the material causing

the wheel to climb out or kick out. The wheel may either jump toward or away from the operator, depending on direction of the wheel's movement at the point of pinching. Abrasive wheels may also break under these conditions.

Kickback is the result of power tool misuse and/or incorrect operating procedures or conditions and can be avoided by taking proper precautions as given below.

- **Maintain a firm grip on the power tool and position your body and arm to allow you to resist kickback forces. Always use auxiliary handle, if provided, for maximum control over kickback or torque reaction during start-up.** The operator can control torque reactions or kickback forces, if proper precautions are taken.
- **Never place your hand near the rotating accessory.** Accessory may kickback over your hand.
- **Do not position your body in the area where power tool will move if kickback occurs.** Kickback will propel the tool in direction opposite to the wheel's movement at the point of snagging.
- **Use special care when working corners, sharp edges etc. Avoid bouncing and snagging the accessory.** Corners, sharp edges or bouncing have a tendency to snag the rotating accessory and cause loss of control or kickback.
- **Do not attach a saw chain woodcarving blade or toothed saw blade.** Such blades create frequent kickback and loss of control.

SAFETY WARNINGS SPECIFIC FOR GRINDING AND ABRASIVE CUTTING-OFF OPERATIONS

- **Use only wheel types that are recommended for your power tool and the specific guard designed for the selected wheel.** Wheels for which the power tool was not designed cannot be adequately guarded and are unsafe.
- **The grinding surface of centre depressed wheels must be mounted below the plane of the guard lip.** An improperly mounted wheel that projects through the plane of the guard lip cannot be adequately protected.
- **The guard must be securely attached to the power tool and positioned for maximum safety, so the least amount of wheel is exposed towards the operator.** The guard helps to protect the operator from broken wheel fragments, accidental contact with wheel and sparks that could ignite clothing.
- **Wheels must be used only for recommended applications. For example: do not grind with the side of cut-off wheel.** Abrasive cut-off wheels are intended for peripheral grinding, side forces applied to these wheels may cause them to shatter.

CUT-OFF TOOL/GRINDER SAFETY WARNINGS

- **Always use undamaged wheel flanges that are of correct size and shape for your selected wheel.** Proper wheel flanges support the wheel thus reducing the possibility of wheel breakage. Flanges for cut-off wheels may be different from grinding wheel flanges.
 - **Do not use worn down wheels from larger power tools.** Wheel intended for larger power tool is not suitable for the higher speed of a smaller tool and may burst.
- ## ADDITIONAL SAFETY WARNINGS SPECIFIC FOR ABRASIVE CUTTING-OFF OPERATIONS
- **Do not “jam” the cut-off wheel or apply excessive pressure. Do not attempt to make an excessive depth of cut.** Overstressing the wheel increases the loading and susceptibility to twisting or binding of the wheel in the cut and the possibility of kickback or wheel breakage.
 - **Do not position your body in line with and behind the rotating wheel.** When the wheel, at the point of operation, is moving away from your body, the possible kickback may propel the spinning wheel and the power tool directly at you.
 - **When wheel is binding or when interrupting a cut for any reason, switch off the power tool and hold the power tool motionless until the wheel comes to a complete stop. Never attempt to remove the cut-off wheel from the cut while the wheel is in motion otherwise kickback may occur.** Investigate and take corrective action to eliminate the cause of wheel binding.
 - **Do not restart the cutting operation in the workpiece. Let the wheel reach full speed and carefully reenter the cut.** The wheel may bind, walk up or kickback if the power tool is restarted in the workpiece.
 - **Support panels or any oversized workpiece to minimize the risk of wheel pinching and kickback.** Large workpieces tend to sag under their own weight. Supports must be placed under the workpiece near the line of cut and near the edge of the workpiece on both sides of the wheel.
 - **Use extra caution when making a “pocket cut” into existing walls or other blind areas.** The protruding wheel may cut gas or water pipes, electrical wiring or objects that can cause kickback.

CALIFORNIA PROPOSITION 65



WARNING:

This product and some dust created by power sanding, sawing, grinding, drilling, and other construction activities may contain chemicals, including lead, known to the State of California to cause cancer, birth defects, or other reproductive harm. ***Wash hands after handling.***




Some examples of these chemicals are:

- lead from lead-based paints,
- crystalline silica from bricks and cement and other masonry products and,
- arsenic and chromium from chemically treated lumber.







Your risk from exposure to these chemicals varies, depending on how often you do this type of work. To reduce your exposure, work in a well-ventilated area and with approved safety equipment, such as dust masks that are specially designed to filter out microscopic particles.

SYMBOLS

The following signal words and meanings are intended to explain the levels of risk associated with this product.

SYMBOL	SIGNAL	MEANING
	DANGER:	Indicates a hazardous situation, which, if not avoided, will result in death or serious injury.
	WARNING:	Indicates a hazardous situation, which, if not avoided, could result in death or serious injury.
	CAUTION:	Indicates a hazardous situation, that, if not avoided, may result in minor or moderate injury.
	NOTICE:	(Without Safety Alert Symbol) Indicates information considered important, but not related to a potential injury (e.g. messages relating to property damage).

Some of the following symbols may be used on this product. Please study them and learn their meaning. Proper interpretation of these symbols will allow you to operate the product better and safer.

SYMBOL	NAME	DESIGNATION/EXPLANATION
	Safety Alert	Indicates a potential personal injury hazard.
	Read Operator's Manual	To reduce the risk of injury, user must read and understand operator's manual before using this product.
	Eye Protection	Always wear eye protection with side shields marked to comply with ANSI Z87.1.
	Eye and Hearing Protection	Always wear eye protection with side shields marked to comply with ANSI Z87.1 as well as hearing protection when operating this equipment.
	Wet Conditions Alert	Do not expose to rain or use in damp locations.
	Recycle Symbol	This product uses lithium-ion (Li-ion) batteries. Local, state or federal laws may prohibit disposal of batteries in ordinary trash. Consult your local waste authority for information regarding available recycling and/or disposal options.
V	Volts	Voltage
min	Minutes	Time
==	Direct Current	Type or a characteristic of current
n	Rated Speed	Rotational speed, at no load
.../min	Per Minute	Revolutions, strokes, surface speed, orbits etc., per minute

FEATURES

PRODUCT SPECIFICATIONS

Wheel Capacity4-1/2 in.
Rated Speed 10,400 r/min. (RPM)

Spindle Thread 5/8 in. x 11 UNC
Wheel.....Grinding (Type 27) or Cutting (Type 1)

ASSEMBLY

UNPACKING

This product requires assembly.

- Carefully remove the tool and any accessories from the box. All items listed in the **Includes** section must be included at the time of purchase.

WARNING:

Items in this *Assembly* section are not assembled to the product by the manufacturer and require customer installation. Use of a product that may have been improperly assembled could result in serious personal injury.

- If any parts are damaged or missing, please call 1-800-525-2579 for assistance. In Mexico, please call 01-800-843-1111.

WARNING:

If any parts are damaged or missing do not operate this product until the parts are replaced. Use of this product with damaged or missing parts could result in serious personal injury.

WARNING:

Do not attempt to modify this product or create accessories or attachments not recommended for use with this product. Any such alteration or modification is misuse and could result in a hazardous condition leading to possible serious personal injury.

INSTALLING/REMOVING WHEEL GUARD

See Figures 1 - 3, page 12.

NOTE: The cutting wheel guard and grinding wheel guard install and remove the same way. The cutting wheel guard is guarded on both sides of the cutting wheel.

To install:

- Place the guard on the shoulder of the bearing cap by aligning index arrows on guard and bearing cap. Press down on guard until it is fully seated.
- Depress the lever and rotate guard to the correct position. Refer to **Positioning the Wheel Guard**.

NOTE: Be sure the raised ridge on the guard is seated in the groove on the bearing cap.

- Install disc flange, grinding or cutting wheel, and clamp nut as described later in this section.
- Tighten clamp nut securely with the wrench provided.

To remove:

- Remove the disc flange, grinding or cutting wheel, and clamp nut.
- Depress the lever and rotate guard to align index arrows on guard and bearing cap.
- Remove the guard.

INSTALLING/REMOVING GRINDING WHEEL

See Figure 1, page 12.

WARNING:

Thoroughly inspect a new grinding wheel before you install it on the grinder.

- Tap lightly around the wheel using a wooden hammer.
- Listen carefully to the resulting sounds. Places with fissures or cracks will result in a different sound.

Do not use a wheel containing fissures or cracks. When you install a new grinding wheel, carry out a no load revolution test of approximately one minute with the grinding wheel facing a safe direction, i.e., away from people or objects.

ASSEMBLY

- Install the grinding wheel guard.
- Place the disc flange onto the spindle. Make sure the flats on the bottom of the disc flange are engaged with the flats on the spindle.
- Place the grinding wheel over the spindle.

WARNING:

Always install a grinding wheel with the depressed center against the disc flange. Failure to do so will cause the grinding wheel to crack when tightening the clamp nut. This could result in serious personal injury because of loose particles breaking off and being thrown from the grinder. Do not overtighten.

- Thread the clamp nut on the spindle with the flat side of the nut facing up.
- Fit the raised, small diameter portion of the clamp nut into the hole in the wheel and finger tighten.
- Depress the spindle lock button and rotate the wheel clockwise until the spindle locks in position.
- Tighten the clamp nut securely with the wrench provided. Do not overtighten.

To remove:

- Depress the spindle lock button and rotate the clamp nut until the spindle locks.

NOTE: To prevent damage to the spindle or spindle lock, always allow motor to come to a complete stop before engaging spindle lock.

- Loosen and remove the clamp nut from the spindle.
- Remove the grinding wheel and disc flange.

INSTALLING/REMOVING CUTTING WHEEL

See Figure 3, page 12.

- Install the cutting wheel guard.
- Place the disc flange onto the spindle. Make sure the flats on the bottom of the disc flange are engaged with the flats on the spindle.
- Fit the cutting wheel inside the wheel guard and onto the spindle.

WARNING:

Always install a cutting wheel with the flat side of the flange nut against the wheel. Failure to do so may cause the cutting wheel to crack when tightening the flange nut. This could result in serious personal injury because of loose particles breaking off and being thrown from the tool. Do not overtighten.

- Thread the clamp nut on the spindle with the raised, small diameter portion of the clamp nut facing up.
- Fit the flat side of the flange nut against the outside of the wheel and finger tighten.
- Depress the spindle lock button and rotate the wheel clockwise until the spindle locks in position.
- Tighten the clamp nut securely with the wrench provided. Do not overtighten.

To remove:

- Depress the spindle lock button and rotate the clamp nut until the spindle locks.

NOTE: To prevent damage to the spindle or spindle lock, always allow motor to come to a complete stop before engaging spindle lock.

- Loosen and remove the clamp nut from the spindle.
- Remove the cutting wheel and disc flange.

INSTALLING THE SIDE HANDLE

See Figure 4, page 13.

WARNING:

The side handle must always be used to help prevent loss of control and possible serious injury.

The side handle can be installed on the top, left, or right side of the tool, depending on operator preference.

- Insert the side handle into the desired operating position.
- Turn the side handle clockwise to securely tighten.

OPERATION

WARNING:

Do not allow familiarity with this product to make you careless. Remember that a careless fraction of a second is sufficient to inflict serious injury.

WARNING:

Always remove battery pack from the tool when you are assembling parts, making adjustments, cleaning, or when not in use. Removing battery pack will prevent accidental starting that could cause serious personal injury.

WARNING:

Always wear eye protection with side shields marked to comply with ANSI Z87.1, along with hearing protection. Failure to do so could result in objects being thrown into your eyes and other possible serious injuries.

WARNING:

Do not use any attachments or accessories not recommended by the manufacturer of this product. The use of attachments or accessories not recommended can result in serious personal injury.

APPLICATIONS

You may use this product for the purpose listed below:

- Grinding metals
- Cutting metals such as sheet steel, pipe, steel rods, aluminum, brass, and copper

WARNING:

Battery products are always in operating condition. Therefore, the switch should always be in the OFF position when not in use or carrying at your side.

INSTALLING/REMOVING BATTERY PACK

See Figure 5, page 13.

To install:

- Insert the battery pack.
- Make sure the latches on each side of the battery pack snap in place and that battery pack is secured in the product before beginning operation.

To remove:

- Depress the latches on each side of the battery pack.

ON/OFF SWITCH

See Figure 6, page 13.

To turn the tool ON:

- Install the battery pack.
- Hold the tool in front and away from you, keeping the wheel clear of the workpiece.
- Depress the back of the on/off switch and push it forward to the ON position.

To turn the tool OFF:

- Release the on/off switch and let it slide back into the OFF position.

To lock the tool ON:

The tool is equipped with a lock-on feature which is convenient for continuous grinding or cutting for extended periods of time.

- Install the battery pack.
- Hold the tool in front and away from you, keeping the wheel clear of the workpiece.
- Depress the back of the on/off switch and push it forward to the ON position.
- Push the front of the on/off switch down to lock the tool in the ON position.
- To release the lock-on, press the back of the on/off switch and let it slide back into the OFF position.

POSITIONING THE WHEEL GUARD

See Figures 7 - 11, page 13.

NOTE: The cutting wheel guard and grinding wheel guard position the same way.

The wheel guard on the tool should be correctly positioned depending on which location the side handle is mounted and depending on what type of operation you are performing (cutting or grinding). Never use the tool without a wheel guard correctly in place or when the index arrows are aligned.

WARNING:

Never place the wheel guard so that it is in front of the tool. This could result in serious injury because sparks and loose particles thrown from the grinding or cutting wheel would be directed toward the operator. Always place the wheel guard in the correct location as shown.

To adjust the wheel guard:

- Remove the battery pack.
- Depress lever and rotate the guard to its correct position as shown.

NOTE: Be sure the raised ridge on the guard is seated in the groove on the bearing cap. Never use the tool without a guard in place and properly adjusted.

OPERATION

GRINDING WITH THE TOOL

See Figure 12, page 14.

Always carefully select and use grinding wheels that are recommended for the material to be ground. Make sure that the minimum operating speed of any accessory wheel selected is 10,400 r/min. or more. The grinding wheel provided with the tool is suitable for grinding welds, preparing surfaces to be welded, grinding structural steel, and grinding stainless steel.

To grind with the tool:

- Secure all work in a vise or clamp to a workbench.

DANGER:

Never use the tool with the guard removed. It has been designed for use only with the guard installed. Attempting to use tool with guard removed will result in loose particles being thrown against the operator resulting in serious personal injury.

- Remove the battery pack.
- Install grinding wheel guard and grinding wheel.
- Install the battery pack.
- Hold the grinder in front and away from you with both hands, keeping the grinding wheel clear of the workpiece.
- Turn the tool ON and let the motor and grinding wheel build up to full speed.
- Lower the grinder gradually until the grinding wheel contacts the workpiece.

WARNING:

To prevent loss of control and possible serious personal injury, always operate the grinder with both hands, keeping one hand on the side handle.

- Keep the grinder tilted at an angle from 5° to 15° and continuously moving at a steady, consistent pace.

NOTICE:

If the grinder is held in one spot too long, it will gouge and cut grooves in the workpiece. If the grinder is held at too sharp an angle, it will also gouge the workpiece because of concentration of pressure on a small area.

- Use just enough pressure to keep the grinder from chattering or bouncing.

NOTE: Heavy pressure will decrease the grinder's speed and put a strain on the motor. Normally the weight of the tool alone is adequate for most grinding jobs. Use light pressure when grinding jagged edges or loose bolts where there is the potential for the grinder to snag on the metal edge.

- Lift the grinder away from the workpiece before turning off the grinder.

CUTTING WITH THE TOOL

See Figure 13, page 14.

It is important to understand the correct method for cutting with this tool. Refer to the figure in this section to learn the correct way to handle the tool during a cutting operation.

WARNING:

To maintain proper control, always operate the tool with both hands, keeping one hand on the side handle. Loss of control could cause an accident resulting in possible serious injury.

WARNING:

Since wheel is exposed on underside of work, keep hands and fingers away from cutting area. Any part of your body coming in contact with moving wheel may result in serious injury.

WARNING:

Do not grind with the side of the cutting wheel. Abrasive cutting wheels are intended for peripheral grinding, side forces applied to these wheels may cause them to shatter.

To make the best possible cut:

- Clamp the workpiece firmly and cut close to the clamping point to eliminate any vibration of the work. Cut the workpiece using the peripheral edge of the cutting wheel. When cutting conduit pipe or angle iron, clamp the workpiece in a vise if possible and cut close to the vise. To cut thin sheet material, "sandwich" the material between hardboard or plywood and clamp the layers to eliminate vibration and material tearing.

DANGER:

Never use the tool with the guard removed. It has been designed for use only with the guard installed. Attempting to use tool with guard removed will result in loose particles being thrown against the operator resulting in serious personal injury.

OPERATION

- Remove the battery pack.
- Install cutting wheel guard and cutting wheel.
- Install the battery pack.
- Hold the tool in front and away from you with both hands, keeping the cutting wheel clear of the workpiece.
- Turn the tool ON and let the motor and cutting wheel build up to full speed.
- Move the cutting wheel into the workpiece.

NOTE: Do not force. Use only enough pressure to keep the tool cutting. Let the wheel and tool do the work.

MAINTENANCE

WARNING:

When servicing, use only identical replacement parts. Use of any other part could create a hazard or cause product damage.

WARNING:

Always wear eye protection with side shields marked to comply with ANSI Z87.1, along with hearing protection. Failure to do so could result in objects being thrown into your eyes and other possible serious injuries.

WARNING:

To avoid serious personal injury, always remove the battery pack from the tool when cleaning, performing any maintenance, or when storing the tool.

GENERAL MAINTENANCE

Avoid using solvents when cleaning plastic parts. Most plastics are susceptible to damage from various types of commercial solvents and can be damaged by their use. Use clean cloths to remove dirt, dust, oil, grease, etc.

WARNING:

Do not at any time let brake fluids, gasoline, petroleum-based products, penetrating oils, etc., come in contact with plastic parts. Chemicals can damage, weaken or destroy plastic which could result in serious personal injury.

REPLACING THE GUARD

See Figures 1 - 3, page 12.

After extended use, the guard may wear and need replacing. If you drop the tool and damage the guard it may also be necessary for you to replace it. Refer to **Installing/Removing Wheel Guard** earlier in this manual.

**NOTE: ILLUSTRATIONS START ON PAGE 12
AFTER FRENCH AND SPANISH LANGUAGE SECTIONS.**

AVERTISSEMENTS DE SÉCURITÉ GÉNÉRALES RELATIVES AUX OUTILS ÉLECTRIQUES

AVERTISSEMENT

Lire toutes les mises en garde et directives aux présentes. Tout manquement aux mises en garde et aux directives aux présentes peut résulter en un choc électrique, un incendie et (ou) des blessures graves.

Conserver les avertissements et les instructions à des fins de référence ultérieure. Le terme « outil motorisé », utilisé dans tous les avertissements ci-dessous désigne tout outil fonctionnant sur secteur (câblé) ou sur piles (sans fil).

SÉCURITÉ DU LIEU DE TRAVAIL

- **Garder le lieu de travail propre et bien éclairé.** Les endroits encombrés ou sombres sont propices aux accidents.
- **Ne pas utiliser d'outils électriques dans des atmosphères explosives, par exemple en présence de liquides, gaz ou poussières inflammables.** Les outils électriques produisent des étincelles risquant d'enflammer les poussières ou vapeurs.
- **Garder les enfants et badauds à l'écart pendant l'utilisation d'un outil électrique.** Les distractions peuvent causer une perte de contrôle.

SÉCURITÉ ÉLECTRIQUE

- **Les fiches des outils électriques doivent correspondre à la prise secteur utilisée. Ne jamais modifier la fiche, de quelque façon que ce soit. Ne jamais utiliser d'adaptateurs de fiche avec des outils mis à la terre.** Les fiches et prises non modifiées réduisent le risque de choc électrique.
- **Éviter tout contact du corps avec des surfaces mises à la terre, telles que tuyaux, radiateurs, cuisinières et réfrigérateurs.** Le risque de choc électrique est accru lorsque le corps est mis à la terre.
- **Ne pas exposer les outils électriques à l'eau ou l'humidité.** La pénétration d'eau dans ces outils accroît le risque de choc électrique.
- **Ne pas maltraiter le cordon d'alimentation. Ne jamais utiliser le cordon d'alimentation pour transporter l'outil et ne jamais débrancher ce dernier en tirant sur le cordon. Garder le cordon à l'écart de la chaleur, de l'huile, des objets tranchants et des pièces en mouvement.** Un cordon endommagé ou emmêlé accroît le risque de choc électrique.
- **Pour les travaux à l'extérieur, utiliser un cordon spécialement conçu à cet effet.** Utiliser un cordon conçu pour l'usage extérieur pour réduire les risques de choc électrique.
- **S'il est nécessaire d'utiliser l'outil électrique dans un endroit humide, employer un dispositif interrupteur de défaut à la terre (GFCI).** L'utilisation d'un GFCI réduit le risque de décharge électrique.
- **Ne recharger les piles qu'avec l'appareil indiqué.** Pour utiliser l'appareil avec des piles au nickel-cadmium et au

lithium-ion de 18 V, consulter le supplément de raccordement pour chargeur/outils/piles/appareil n° 987000-432.

SÉCURITÉ PERSONNELLE

- **Rester attentif, prêter attention au travail et faire preuve de bon sens lors de l'utilisation de tout outil électrique. Ne pas utiliser cet outil en état de fatigue ou sous l'influence de l'alcool, de drogues ou de médicaments.** Un moment d'inattention pendant l'utilisation d'un outil électrique peut entraîner des blessures graves.
- **Utiliser l'équipement de sécurité. Toujours porter une protection oculaire.** L'équipement de sécurité, tel qu'un masque filtrant, de chaussures de sécurité, d'un casque ou d'une protection auditive, utilisé dans des conditions appropriées réduira le risque de blessures.
- **Éviter les démarrages accidentels. S'assurer que le commutateur est en position d'arrêt avant de brancher l'outil.** Porter un outil avec le doigt sur son commutateur ou brancher un outil dont le commutateur est en position de marche peut causer un accident.
- **Retirer les clés de réglage avant de mettre l'outil en marche.** Une clé laissée sur une pièce rotative de l'outil peut causer des blessures.
- **Ne pas travailler hors de portée. Toujours se tenir bien campé et en équilibre.** Ceci permettra de mieux contrôler l'outil en cas de situation imprévue.
- **Porter une tenue appropriée. Ne porter ni vêtements amples, ni bijoux. Garder les cheveux, les vêtements et les gants à l'écart des pièces en mouvement.** Les vêtements amples, bijoux et cheveux longs peuvent se prendre dans les pièces en mouvement.
- **Si les outils sont équipés de dispositifs de dépoussiérage, s'assurer qu'ils sont connectés et correctement utilisés.** L'usage de ces dispositifs de dépoussiérage peut réduire les dangers présentés par la poussière.
- **Malgré votre expérience acquise par l'utilisation fréquente des outils, soyez toujours vigilant et respectez les principes de sécurité relatifs aux outils.** Il s'agit d'une fraction de seconde pour qu'un geste irréfléchi puisse causer de graves blessures.
- **Ne porter ni vêtements amples, ni bijoux. Attacher ou couvrir les cheveux longs.** Les vêtements amples, bijoux et cheveux longs peuvent se prendre dans les ouïes d'aération.
- **Ne pas utiliser l'outil sur une échelle ou un support instable.** Une bonne tenue et un bon équilibre permettent de mieux contrôler l'outil en cas de situation imprévue.

UTILISATION ET ENTRETIEN DES OUTILS ÉLECTRIQUES

- **Ne pas forcer l'outil. Utiliser l'outil approprié pour l'application.** Un outil approprié exécutera le travail mieux et de façon moins dangereuse s'il est utilisé dans les limites prévues.
- **Ne pas utiliser l'outil si le commutateur ne permet pas de le mettre en marche ou de l'arrêter.** Tout outil qui ne peut pas être contrôlé par son commutateur est dangereux et doit être réparé.

AVERTISSEMENTS DE SÉCURITÉ GÉNÉRALES RELATIVES AUX OUTILS ÉLECTRIQUES

- **Débrancher l'outil et/ou retirer le bloc de batteries avant d'effectuer des réglages, de changer d'accessoire ou de remiser l'outil.** Ces mesures de sécurité préventives réduisent les risques de démarrage accidentel de l'outil.
- **Ranger les outils motorisés hors de la portée des enfants et ne laisser personne n'étant pas familiarisé avec l'outil ou ces instructions utiliser l'outil.** Dans les mains de personnes n'ayant pas reçu des instructions adéquates, les outils sont dangereux.
- **Entretien des outils motorisés. Vérifier qu'aucune pièce mobile n'est mal alignée ou bloquée, qu'aucune pièce n'est brisée et s'assurer qu'aucun autre problème risque d'affecter le bon fonctionnement de l'outil. En cas de dommages, faire réparer l'outil avant de l'utiliser de nouveau.** Beaucoup d'accidents sont causés par des outils mal entretenus.
- **Garder les outils bien affûtés et propres.** Des outils correctement entretenus et dont les tranchants sont bien affûtés risquent moins de se bloquer et sont plus faciles à contrôler.
- **Utiliser l'outil, les accessoires et embouts, etc. conformément à ces instructions pour les applications pour lesquelles ils sont conçus, en tenant compte des conditions et du type de travail à exécuter.** L'usage d'un outil motorisé pour des applications pour lesquelles il n'est pas conçu peut être dangereux.
- **Gardez les poignées et les surfaces de prise sèches, propres et exemptes d'huile et de graisse.** Des poignées et des surfaces de prise glissantes empêchent la manipulation et le contrôle sécuritaires de l'outil dans des circonstances imprévues.

UTILISATION ET ENTRETIEN DE LA PILE

- **Ne recharger qu'avec l'appareil spécifié par le fabricant.** Un chargeur approprié pour un type de pile peut créer un risque d'incendie s'il est utilisé avec un autre type de pile.
- **Utiliser exclusivement le bloc-pile spécifiquement indiqué pour l'outil.** L'usage de tout autre bloc peut créer un risque de blessures et d'incendie.
- **Lorsque le bloc-piles n'est pas en usage, le garder à l'écart d'articles tels qu'attaches trombones, pièces de monnaie, clous, vis ou autres petits objets métalliques risquant d'établir le contact entre les deux bornes.** La mise en court-circuit des bornes de piles peut causer des étincelles, des brûlures ou un incendie.
- **En cas d'usage abusif, du liquide peut s'échapper des piles. Éviter tout contact avec ce liquide. En cas de contact accidentel, rincer immédiatement les parties atteintes avec de l'eau. En cas d'éclaboussure dans les yeux consulter un médecin.** Le liquide s'échappant des piles peut causer des irritations ou des brûlures.
- **Ne pas utiliser un bloc-piles ou un outil endommagé ou modifié.** Les piles endommagées ou modifiées peuvent produire un comportement imprévisible pouvant provoquer un incendie, une explosion ou des blessures.
- **Ne pas exposer le bloc-piles ou l'outil près d'un incendie ou à une température extrême.** L'exposition à un incendie ou à une température supérieure à 130 °C (265 °F) représente un risque d'explosion.
- **Suivre toutes les instructions afférentes à la recharge et ne pas recharger le bloc-piles ou l'outil hors des températures spécifiées dans les instructions.** Une recharge incorrecte ou hors des températures spécifiées peut endommager la pile et augmenter les risques de feu.

DÉPANNAGE

- **Les réparations doivent être confiées à un technicien qualifié, utilisant exclusivement des pièces identiques à celles d'origine.** Ceci assurera le maintien de la sécurité de l'outil.
- **Ne réparez jamais de blocs-piles endommagés.** Seuls le fabricant et les fournisseurs de service autorisés doivent effectuer la réparation ou l'entretien des blocs-piles.

AVERTISSEMENTS DE SÉCURITÉ RELATIFS AU OUTIL À TRONÇONNER/MEULEUSE

AVERTISSEMENTS DE SÉCURITÉ GÉNÉRAUX POUR LE MEULAGE OU LE TRONÇONNAGE

- **Cet outil électrique est conçu pour servir de meule ou de tronçonneuse. Consulter tous les avertissements et toutes les instructions, les illustrations et les précisions fournis avec cet outil électrique.** Ne pas suivre l'ensemble des instructions décrites ci-dessous peut entraîner une électrocution, un incendie ou des blessures graves.
- **On ne recommande pas de l'utiliser pour sabler, brosser ou polir.** Le fait d'utiliser l'outil pour effectuer des tâches pour lesquelles il n'est pas conçu peut présenter un risque et entraîner des blessures.
- **Ne pas utiliser des accessoires qui ne sont pas spécialement conçus pour le modèle d'outil ou qui ne sont pas recommandés par le fabricant.** Le simple fait qu'un accessoire peut s'ajuster sur l'outil électrique ne signifie pas qu'il peut être utilisé en toute sécurité.
- **La vitesse nominale de l'accessoire doit au moins être égale à la vitesse maximale indiquée sur l'outil électrique.** Les accessoires qui sont utilisés à une vitesse supérieure à leur vitesse nominale peuvent se briser et se détacher.
- **Le diamètre extérieur et l'épaisseur de l'accessoire doivent être conformes à la capacité de l'outil électrique.** Il est impossible d'envelopper ou de contrôler adéquatement un accessoire de dimension inappropriée.

AVERTISSEMENTS DE SÉCURITÉ RELATIFS AU OUTIL À TRONÇONNER/MEULEUSE

- **Le montage fileté des accessoires doit correspondre au filetage de la broche de la meuleuse. Pour les accessoires montés sur brides, le trou d'arbre de l'accessoire doit être adapté au diamètre de départ de la bride.** Les accessoires utilisés ne correspondant pas aux pièces de montage de l'outil électrique se déstabiliseront, vibreront de façon excessive et occasionner une perte de contrôle.
- **Ne pas utiliser un accessoire endommagé. Inspecter l'accessoire avant chaque utilisation afin de s'assurer que les meules, par exemple, sont exemptes d'ébréchures et de fissures, que le plateau porte-disque est exempt de fissures et qu'il n'est pas usé de façon excessive, et que la brosse métallique ne comprend pas de fils détachés ou craquelés. Si l'outil électrique ou l'accessoire est échappé, s'assurer qu'il n'est pas endommagé ou installer un autre accessoire. Après avoir effectué cette opération, se tenir à distance de l'accessoire en rotation et faire fonctionner l'outil à sa vitesse à vide maximale pendant une minute.** S'assurer que personne ne se tient à proximité de l'outil. Les accessoires endommagés se brisent généralement lors de cette vérification.
- **Porter de l'équipement de protection individuelle. Selon le type d'opération, porter un masque de protection ou des lunettes de sécurité. Au besoin, porter également un masque antipoussières, un protecteur d'oreille, des gants et un tablier d'atelier résistant aux petits fragments abrasifs ou aux fragments provenant des pièces à travailler. La protection oculaire utilisée doit résister aux débris projetés lors des différentes opérations.** La protection oculaire utilisée doit résister aux débris projetés lors des différentes opérations. Le masque anti-poussières et le masque filtrant doivent filtrer les particules produites lors de l'opération. Une exposition prolongée à un bruit fort peut entraîner une perte auditive.
- **S'assurer que personne ne se tient à proximité du lieu de travail. Toute personne qui entre sur le lieu de travail doit porter l'équipement de protection requis.** Des fragments provenant de la pièce à travailler ou d'un accessoire brisé peuvent être projetés et causer des blessures, même à des personnes se tenant à une certaine distance du lieu de travail immédiat.
- **Tenir uniquement l'outil électrique par les surfaces de prise isolées lors d'un travail risquant mettre l'outil de coupe en contact avec des fils électriques cachés.** Le contact avec un fil sous tension « électrifie » les pièces métalliques exposées de l'outil électrique, ce qui peut produire un choc électrique à l'utilisateur.
- **Tenir le cordon loin de l'accessoire en rotation.** En cas de perte de contrôle, le cordon peut être coupé ou accroché, et la main ou le bras de l'utilisateur risquent d'entrer en contact avec l'accessoire en rotation.
- **Ne jamais déposer l'outil électrique avant l'arrêt complet de l'accessoire.** L'accessoire en rotation peut attraper la surface et occasionner une perte de contrôle.
- **Ne jamais laisser l'outil électrique fonctionner en le transportant à ses côtés.** L'accessoire en rotation peut

s'accrocher accidentellement aux vêtements et entrer en contact avec l'utilisateur.

- **Nettoyer régulièrement les événements d'aération de l'outil électrique.** Le ventilateur du moteur aspire la poussière dans le logement et crée une accumulation excessive de métal fritté, ce qui peut causer un danger électrique.
- **Ne pas faire fonctionner l'outil électrique à proximité de matériaux inflammables.** Les étincelles peuvent enflammer ces matériaux.
- **Ne pas utiliser d'accessoires qui nécessitent des liquide de refroidissement.** L'utilisation d'eau ou d'un autre liquide de refroidissement peut entraîner une électrocution ou un choc électrique.

REBONDS ET AVERTISSEMENTS CONNEXES

Un rebond est une réaction soudaine attribuable au pincement ou à l'accrochage de la meule, du plateau porte-disque, de la brosse ou de tout autre accessoire en rotation. Un pincement ou un accrochage provoque le blocage immédiat de l'accessoire en rotation qui, à son tour, entraîne l'outil incontrôlé dans le sens opposé à la rotation de l'accessoire, à l'endroit du coincement. Par exemple, si une meule abrasive est accrochée ou pincée par la pièce à travailler, le rebord de la meule qui entre dans le point de pincement peut s'enfoncer dans la surface du matériau, éjectant la meule de la pièce à travailler ou la faisant rebondir, vers l'utilisateur ou loin de lui, selon le sens du mouvement de la meule au point de pincement. Dans ces conditions d'utilisation, les meules abrasives peuvent également se briser.

Un rebond est attribuable à une mauvaise utilisation de l'outil ou au non-respect des procédures ou des conditions d'utilisation. Pour empêcher les rebonds, respecter les directives décrites ci-dessous.

- **Tenir fermement l'outil électrique et placer le corps et les mains de manière à pouvoir résister aux rebonds. Toujours utiliser la poignée auxiliaire, s'il y en a une, pour assurer un contrôle optimal en cas de rebond ou de réaction de couple lors du démarrage de l'outil.** L'utilisateur peut contrôler les rebonds et les réactions de couple s'il respecte les directives prescrites.
- **Ne jamais placer les mains à proximité de l'accessoire en rotation.** En cas de rebond, l'accessoire peut dévier sur celles-ci.
- **Ne pas positionner le corps à l'endroit où sera entraîné l'outil électrique si un rebond se produit.** Un rebond entraînera l'outil dans le sens opposé au mouvement de la meule, à l'endroit de l'accrochage.
- **Faire preuve d'une extrême prudence au moment d'utiliser l'outil sur des coins ou des rebords tranchants. Éviter les rebonds et la formation d'accroc à l'accessoire.** Les coins, les rebords tranchants et les surfaces qui tressautent ont tendance à s'accrocher à la pièce en rotation et à causer une perte de contrôle ou des rebonds.
- **Ne pas fixer une lame de sculpteur pour scie à chaîne ou une lame de scie dentée.** Ces deux types de lame occasionnent de nombreux rebonds et des pertes de contrôle fréquentes.

AVERTISSEMENTS DE SÉCURITÉ RELATIFS AU OUTIL À TRONÇONNER/MEULEUSE

AVERTISSEMENTS DE SÉCURITÉ PARTICULIERS POUR LE MEULAGE OU LE TRONÇONNAGE

- **Utiliser seulement des types de meules recommandés pour votre outil et la garde conçue particulièrement pour la meule choisie.** Il est impossible d'envelopper de façon adéquate et sécuritaire les meules qui ne sont pas spécialement conçues pour l'outil électrique.
- **La surface de meulage renforcée à moyeu déporté de la meule doit être montée sous la lèvre de guidage de la meuleuse.** Une meule mal installée et dépassant de la lèvre de guidage de la meuleuse ne sera pas bien protégée.
- **Le garde-meule doit être fixé solidement à l'outil électrique et positionné de manière à garder une sécurité optimale; il importe donc de diriger le moins possible la meule vers l'utilisateur.** Ce protège-meule aide à protéger l'utilisateur contre la projection de fragments de meule brisés, le contact accidentel avec la meule et les étincelles pouvant enflammer les vêtements.
- **Utiliser seulement les meules pour effectuer des opérations pour lesquelles elles sont conçues. Par exemple, ne pas meuler avec le côté d'une meule à tronçonner.** Seule la périphérie des meules à tronçonner abrasives doit être utilisée pour le meulage. Le fait d'appliquer une force latérale sur ces meules peut provoquer leur éclatement.
- **Toujours utiliser des brides de meule non endommagées de formes et de dimensions convenables pour la meule choisie.** Les brides de meule adéquates soutiennent la meule, ce qui minimise les risques de bris de celle-ci. Les brides de meules à tronçonner peuvent différer des brides de meules standards.
- **Ne pas utiliser de meules usées qui proviennent d'outils électriques de plus grandes dimensions.** Les meules conçues pour des outils électriques de plus grandes dimensions ne conviennent pas à la vitesse plus élevée des outils de plus petites dimension et peuvent éclater.

AVERTISSEMENTS DE SÉCURITÉ SUPPLÉMENTAIRES POUR LE TRONÇONNAGE

- **S'assurer que la meule à tronçonner ne se coince pas et éviter d'appliquer une pression excessive. Éviter de tronçonner sur une profondeur excessive.** Une surcharge sur la meule augmente le collage, la tendance à la torsion ou au coincement de la meule pendant la coupe et les risques de rebond ou de bris de la meule.
- **Ne pas aligner le corps avec la meule en rotation.** Lorsque la meule, au point d'utilisation, se déplace en direction opposée de votre corps, le rebond possible peut propulser la meule qui tourne et l'outil directement sur vous.
- **Si la meule se coince ou si l'opération de coupe est interrompue pour une raison quelconque, éteindre l'outil électrique et le maintenir immobile jusqu'à ce que la meule s'arrête complètement. Ne jamais tenter de retirer la meule de la pièce tronçonnée tant que la meule tourne pour éviter le rebond.** Déterminer et résoudre la cause du coincement de la lame.
- **Ne pas reprendre le tronçonnage directement sur la pièce à travailler. Permettre à la meule d'atteindre sa vitesse maximale puis la réinsérer soigneusement dans le trait de coupe.** La meule risque de se coincer, de se soulever ou de rebondir si cette précaution n'est pas prise.
- **Soutenir les panneaux et toute pièce à travailler surdimensionnée afin de minimiser les risques de pincement et de rebond de la meule.** Les pièces à travailler de grandes dimensions ont tendance à fléchir sous leur propre poids. Il importe donc de disposer des supports sous la pièce à travailler, près du trait de coupe et au bord de la pièce à travailler, des deux côtés de la meule.
- **Redoubler de prudence lors de la découpe d'évidements dans des cloisons ou autres endroits sans visibilité arrière.** La partie en saillie de la meule peut couper les conduites d'eau ou de gaz, le câblage électrique et tout autre objet pouvant provoquer un rebond.

PROPOSITION 65 DE L'ÉTAT DE CALIFORNIE



AVERTISSEMENT :

Ce produit et la poussière dégagée lors du ponçage, sciage, meulage, perçage de certains matériaux et lors d'autres opérations de construction peuvent contenir des produits chimiques, notamment du plomb qui, selon l'État de la Californie, peuvent causer le cancer, des anomalies congénitales et d'autres dommages au système reproducteur. **Bien se laver les mains après toute manipulation.**




Voici certains exemples de ces produits chimiques :

- le plomb contenu dans la peinture au plomb,
- la silice cristalline contenue dans les briques, le béton et d'autres produits de maçonnerie, ainsi que,
- l'arsenic et le chrome contenus dans le bois de construction traité par produits chimiques.







Le risque présenté par l'exposition à ces produits varie en fonction de la fréquence de ce type de travail. Pour réduire l'exposition, travailler dans un endroit bien aéré et utiliser des équipements de sécurité approuvés tels que masques antipoussières spécialement conçus pour filtrer les particules microscopiques.

SYMBOLES

Les termes de mise en garde suivants et leur signification ont pour but d'expliquer le degré de risques associé à l'utilisation de ce produit.

SYMBOLE	SIGNAL	SIGNIFICATION
	DANGER :	Indique une situation dangereuse qui, si elle n'est pas évitée, aura pour conséquences des blessures graves ou mortelles.
	AVERTISSEMENT :	Indique une situation dangereuse qui, si elle n'est pas évitée, pourrait entraîner des blessures graves ou mortelles.
	ATTENTION :	Indique une situation dangereuse qui, si elle n'est pas évitée, pourrait entraîner des blessures légères ou de gravité modérée.
	AVIS :	(Sans symbole d'alerte de sécurité) Indique les informations jugées importantes sans toutefois représenter un risque de blessure (ex. : messages concernant les dommages matériels).

Certains des symboles ci-dessous peuvent être utilisés sur produit. Veiller à les étudier et à apprendre leur signification. Une interprétation correcte de ces symboles permettra d'utiliser produit plus efficacement et de réduire les risques.

SYMBOLE	NOM	DÉSIGNATION / EXPLICATION
	Symbole d'alerte de sécurité	Indique un risque de blessure potentiel.
	Lire manuel d'utilisation	Pour réduire les risques de blessures, l'utilisateur doit lire et veiller à bien comprendre le manuel d'utilisation avant d'utiliser ce produit.
	Protection oculaire	Toujours porter une protection oculaire avec écrans latéraux certifiée conforme à la norme ANSI Z87.1.
	Protection oculaire et auditive	Toujours porter une protection oculaire avec écrans latéraux certifiée conforme à la norme ANSI Z87.1 ainsi qu'un protection auditive.
	Avertissement concernant l'humidité	Ne pas exposer à la pluie ou l'humidité.
	Symbole de recyclage	Ce produit utilise les piles de lithium-ion (Li-ion). Les réglementations locales ou gouvernementales peuvent interdire de jeter les piles dans les ordures ménagères. Consulter les autorités locales compétentes pour les options de recyclage et/ou l'élimination.
V	Volts	Tension
min	Minutes	Temps
—	Courant continu	Type ou caractéristique du courant
n	Vitesse nominale	Vitesse de rotation à vide
.../min	Par minute	Tours, coups, vitesse périphérique, orbites, etc., par minute

CARACTÉRISTIQUES

FICHE TECHNIQUE

Taille de meule..... 115 mm (4-1/2 po)
Vitesse nominale 10 400 r/min (RPM)

Diamètre de broche..... 5/8 po (16 mm) x 11 UNC (M14)
Meule..... Meulage (type 27) ou coupe (type 1)

ASSEMBLAGE

DÉBALLAGE

Ce produit nécessite un assemblage.

- Avec précaution, sortir l'outil et les accessoires de la boîte. Tous les articles énumérés sous **Inclut** doivent se trouver dans l'emballage au moment de l'achat.

AVERTISSEMENT :

Certaines pièces figurant dans cette section *Assemblage* n'ont pas été installées sur le produit par le fabricant et exigent une installation du client. Le fait d'utiliser un produit qui a été assemblé de façon inadéquate peut entraîner des blessures.

- Si des pièces manquent ou sont endommagées, veuillez appeler au 1-800-525-2579 pour obtenir de l'aide. Au Mexique, veuillez composer le numéro 01-800-843-1111.

AVERTISSEMENT :

Si des pièces manquent ou sont endommagées, ne pas utiliser cet outil avant qu'elles aient été remplacées. Le non-respect de cet avertissement pourrait entraîner des blessures graves.

AVERTISSEMENT :

Ne pas essayer de modifier cet outil ou de créer des accessoires non recommandés pour l'outil. De telles altérations ou modifications sont considérées comme un usage abusif et peuvent créer des conditions dangereuses, risquant d'entraîner des blessures graves.

INSTALLATION/REPLACEMENT DE LA GARANT

See Figures 1 - 3, page 12.

NOTE : Le garde-meule à tronçonner et le garde-meule à meuler s'installent et se retirent de la même manière. La garde-meule à tronçonner est protégée des deux côtés de la meule à tronçonner.

Pour installer :

- Placer le garant neuf sur l'épaule du chapeau de roulement en alignant les flèches du garant et du chapeau de roulement. Appuyer sur le dispositif de protection jusqu'à ce qu'il soit bien en place.
- Appuyer sur le levier et tourner le garant en position correcte. Voir la section **Positionnement du garde-meule**.

NOTE : S'assurer que la nervure en saillie du garant est engagée dans la rainure du chapeau de roulement.

- Installer la flasque de disque, la meule ou la tronçonneuse, et l'écrou de serrage comme décrit plus loin dans cette section.
- Serrer fermement l'écrou à l'aide de la clé fournie.

Pour enlever :

- Retirer la flasque de disque, la meule ou la tronçonneuse, et l'écrou de serrage.
- Appuyer sur le levier et tourner la garde pour aligner les flèches sur la garde et le chapeau de palier.
- Retirer la garde.

INSTALLATION ET RETRAIT DE LA MEULE

Voir la figure 1, page 12.

AVERTISSEMENT :

Inspecter soigneusement les meules neuves avant de les installer.

- Frapper légèrement le pourtour de la meule disque avec un maillet en bois.
- Écouter attentivement le son produit. Le son change lorsque la meule est frappée à un endroit fissuré ou fendu.

Ne pas utiliser les meules disque présentant des fissures ou fêlures. Après avoir installé une meule neuve la tester en la laissant tourner à vide pendant environ une minute, en veillant à ne pas la diriger vers des personnes ou objets.

ASSEMBLAGE

- Installer la garde-meule pour le meulage.
- Placer la flasque de disque sur la broche. S'assure que les méplats au dessous de la bride circulaire s'engagent dans ceux de l'axe.
- Placer la meule pour le meulage sur la broche.

AVERTISSEMENT :

Toujours installer les meules côté concave contre la bride circulaire. Si cette précaution n'est pas prise, la meule se brisera lors du serrage de l'écrou. Ceci pourrait entraîner des blessures graves par les morceaux de meule projetés. Ne pas trop serrer.

- Visser l'écrou de serrage sur l'axe, son côté plat étant dirigé vers le haut.
- Engager la partie saillante de petit diamètre de l'écrou dans le trou de la meule et serrer à la main.
- Appuyer sur le bouton de verrouillage de l'axe et tourner la meule dans le sens horaire jusqu'à ce que l'axe se verrouille en position.
- Serrer fermement l'écrou à l'aide de la clé fournie. Ne pas trop serrer.

Pour enlever :

- Appuyer sur le bouton de verrouillage de la broche et tourner le boulon jusqu'à ce que la broche se verrouille.
NOTE : Pour éviter des dommages à la broche ou au verrouillage de broche, toujours laisser le moteur s'arrêter complètement avant d'enclencher le verrouillage de broche.
- Desserrer et retirer l'écrou de la broche.
- Retirer la meule pour le meulage et la flasque de disque.

INSTALLATION ET RETRAIT DE LA MEULE À TRONÇONNER

See Figure 3, page 12.

- Installer la garde-meule à tronçonner.
- Placer la flasque de disque sur la broche. S'assure que les méplats au dessous de la bride circulaire s'engagent dans ceux de l'axe.
- Insérer la meule à l'intérieur du protège-meule et sur la broche.

AVERTISSEMENT :

Toujours installer une meule en mettant le côté plat de l'écrou à embase contre la meule. Une installation incorrecte peut provoquer le fendillement de la meule lors du serrage de l'écrou à embase. Elle pourrait provoquer des blessures graves à cause de particules se détachant et propulsées par l'outil. Ne pas trop serrer.

- Visser l'écrou à embase sur la broche en mettant la partie soulevée de petit diamètre de l'écrou à embase vers le haut.
- Ajuster le côté plat de l'écrou à embase contre l'extérieur de la meule et serrer manuellement.
- Appuyer sur le bouton de verrouillage de l'axe et tourner la meule dans le sens horaire jusqu'à ce que l'axe se verrouille en position.
- Serrer fermement l'écrou à l'aide de la clé fournie. Ne pas trop serrer.

Pour enlever :

- Appuyer sur le bouton de verrouillage de la broche et tourner le boulon jusqu'à ce que la broche se verrouille.
NOTE : Pour éviter des dommages à la broche ou au verrouillage de broche, toujours laisser le moteur s'arrêter complètement avant d'enclencher le verrouillage de broche.
- Desserrer et retirer l'écrou de la broche.
- Retirer la meule pour le tronçonner et la flasque de disque.

INSTALLATION DE LA POIGNÉE LATÉRALE

Voir la figure 4, page 13.

AVERTISSEMENT :

Elle doit toujours être utilisée pour éviter une perte de contrôle pouvant entraîner des blessures graves.

La poignée peut être montée sur le dessus, à gauche, ou à droite, selon la préférence de l'utilisateur.

- Insérer la poignée latérale dans la position de travail désirée.
- Tourner la poignée latérale vers la droite pour la fixer fermement.

UTILISATION

AVERTISSEMENT :

Ne pas laisser la familiarité avec l'outil faire oublier la prudence. Ne pas oublier qu'une fraction de seconde d'inattention peut entraîner des blessures graves.

AVERTISSEMENT :

Toujours retirer la bloc-pile de l'outil au moment d'assembler des pièces, d'effectuer des réglages et de procéder au nettoyage, ou lorsque l'outil n'est pas utilisé. Si cette précaution n'est pas prise, des objets peuvent être projetés dans les yeux et causer des lésions graves.

AVERTISSEMENT :

Toujours porter une protection oculaire avec écrans latéraux certifiée conforme à la norme ANSI Z87.1. Si une opération dégage de la poussière, porter également un masque anti-poussière.

AVERTISSEMENT :

Ne pas utiliser d'outils ou accessoires non recommandés par le fabricant pour cet outil. L'utilisation de pièces et accessoires non recommandés peut entraîner des blessures graves.

APPLICATIONS

Cet outil ne doit être utilisé que pour les applications listées ci-dessous.

- Meulage des métaux
- Couper les métaux tels que la tôle d'acier, les tuyaux, l'acier en tiges, l'aluminium, le laiton et le cuivre.

AVERTISSEMENT :

Les outils à piles sont toujours en état de fonctionnement. Alors, l'interrupteur devrait toujours être mis à la position ARRÊT quand l'outil n'est pas utilisé ou lors du transport.

INSTALLATION/RETRAIT DU BLOC-PILES

Voir la figure 5, page 13.

Pour installer :

- Installer la bloc-pile sur l'outil.
- S'assurer que ses deux loquets latéraux s'engagent correctement et vérifier que le bloc est solidement assujéti avant d'utiliser l'outil.

Pour retrait :

- Appuyer sur les loquets de chaque côté du bloc-pile.

INTERRUPTEUR MARCHE/ARRÊT

Voir la figure 6, page 13.

Pour mettre l'outil en MARCHE :

- Installer la bloc-pile sur l'outil.
- Tenir l'outil devant soi, loin du corps, sans la laisser toucher la pièce.
- Appuyer sur le dos de l'interrupteur marche/arrêt et le pousser vers l'avant en position de MARCHE.

Pour ARRÊTER l'outil :

- Relâcher l'interrupteur marche/arrêt et le laisser glisser en position d'ARRÊT.

Pour verrouillage l'outil en MARCHE :

L'outil est équipé d'une caractéristique de verrouillage pratique pour le meulage ou le tronçonnage continu sur une longue période.

- Installer la bloc-pile sur l'outil.
- Tenir l'outil devant soi, loin du corps, sans la laisser toucher la pièce.
- Appuyer sur le dos de l'interrupteur marche/arrêt et le pousser vers l'avant en position de MARCHE.
- Appuyer sur l'interrupteur marche/arrêt pour verrouiller l'outil en position de MARCHE.
- Pour relâcher le verrou, appuyer de nouveau sur l'interrupteur marche/arrêt et le laisser glisser en position d'ARRÊT.

POSITIONNEMENT DU GARDE

Voir les figures 7 à 11, page 13.

NOTE : La garde-meule à tronçonner et la garde-meule à meuler se placent de la même manière.

Le garde doit être correctement installé, en fonction du côté sur lequel la poignée est montée et selon le type de travail à effectuer (tronçonnage ou meulage). Ne jamais utiliser la meuleuse si le garde n'est pas correctement installée ou les flèches correctement alignées.

AVERTISSEMENT :

Ne jamais installer le garde de manière à ce qu'il se trouve sur l'avant de la meuleuse. Les étincelles et la limaille pourraient être projetées en direction de l'opérateur et le blesser sérieusement. Toujours installer le garde en position correcte, comme illustré.

Pour repositionner le garde :

- Retirer la bloc-pile.
- Appuyer sur le levier et faire tourner le garde en position correcte, comme illustré.

NOTE : S'assurer que la saillie du garde est engagée dans la rainure du chapeau de palier. Ne jamais utiliser la meuleuse sans avoir installé et ajusté le garde.

UTILISATION

MEULER AVEC L'OUTIL

Voir la figure 12, page 14.

Toujours choisir et utiliser les meules recommandées pour les matériaux à travailler. S'assurer que la vitesse de fonctionnement minimum de tout accessoire à meule est de 10 400 r/min. ou plus. La meule fournie avec l'outil convient au meulage des soudures, à la préparation des surfaces à souder, au meulage des structures en acier et au meulage de l'acier inoxydable.

Pour meuler avec l'outil :

- Placer la pièce à meuler dans un étau ou l'assujettir sur un établi.

DANGER :

Ne jamais utiliser la meuleuse sans le garde. Elle est conçue pour n'être utilisée qu'avec le garde en place. Si cette précaution n'est pas prise, de la limaille peut être en direction de l'opérateur et causer des blessures graves.

- Retirer le bloc-pile.
- Installer la garde-meule pour le meulage et la meule.
- Installer le bloc-pile sur l'outil.
- Tenir la meuleuse devant soi, loin du corps, sans la laisser toucher la pièce à meuler.
- Mettre l'outil en MARCHE et laisser le moteur parvenir à pleine vitesse.
- Abaisser progressivement l'outil, jusqu'à ce que la meule entre en contact avec la pièce à travailler.

AVERTISSEMENT :

Pour éviter la perte du contrôle et des blessures graves, toujours tenir la meuleuse à deux mains, l'une étant placée sur la poignée latérale.

- Pour obtenir de meilleurs résultats, inclinez la meuleuse à un angle de 5 à 15° et déplacez-la continuellement et uniformément.

AVIS :

Si la meuleuse est maintenue trop longtemps à un endroit, elle entamera et creusera la pièce. Si la meuleuse est tenue à un angle trop prononcé elle entamera également la pièce, la pression étant concentrée sur une trop petite surface.

- Utiliser une pression juste suffisante pour empêcher l'outil de brouter ou de sautiller.

NOTE : Une pression excessive réduirait la vitesse de rotation de la meule et imposerait une charge excessive sur le moteur. Normalement le poids de l'outil suffit pour la plupart des travaux de meulage. Utiliser une légère pression pour le meulage des bords irréguliers et des boulons desserrés qui risquent de causer un blocage de la meule.

- Soulever la meuleuse de la pièce avant de l'arrêter.

TRONÇONNER AVEC L'OUTIL

Voir la figure 13, page 14.

Il est important de comprendre la bonne méthode pour tronçonner avec cet outil. Consulter la figure de cette section pour apprendre la bonne manière de manipuler l'outil pendant un tronçonnage.

AVERTISSEMENT :

Pour garder le contrôle, toujours utiliser les deux mains, dont une sera placée sur la poignée latérale. Une perte de contrôle peut entraîner des blessures graves.

AVERTISSEMENT :

De ce fait, il est impératif de garder les mains à l'écart de la zone de coupe et de la meule. Le contact de toute partie du corps avec la meule peut causer des blessures graves.

AVERTISSEMENT :

Ne pas utiliser le côté d'une meule à tronçonner pour meuler. Les meules à tronçonner abrasives doivent être utilisées pour la rectification périphérique. Le fait d'appliquer une force latérale sur les meules peut provoquer leur bris.

Pour obtenir une qualité de coupe maximum :

- Assujettir solidement la pièce et couper près du point de serrage pour éviter la vibration du matériau. Couper la pièce à l'aide du bord périphérique de la meule à tronçonner. Lors de la coupe de tuyaux ou de cornières, serrer la pièce dans un étau et couper le plus près possible du point de serrage. Pour la coupe des tôles minces, placer le matériau en "sandwich" entre deux planches et utiliser des serre-joint pour empêcher les vibrations et la déchirure du matériau.

DANGER :

Ne jamais utiliser la meuleuse sans le garde. Elle est conçue pour n'être utilisée qu'avec le garde en place. Si cette précaution n'est pas prise, de la limaille peut être en direction de l'opérateur et causer des blessures graves.

UTILISATION

- Retirer le bloc-pile.
- Installer la garde-meule à tronçonner et la meule à tronçonner.
- Installer le bloc-pile sur l'outil.
- Tenir l'outil devant soi, loin du corps, sans la laisser toucher la pièce à coupe.
- Mettre l'outil en MARCHE et laisser le moteur et la tronçonneuse atteindre la pleine vitesse.
- Placer la tronçonneuse sur le morceau à couper.

NOTE : Ne pas forcer l'outil. Exercer une pression suffisante pour maintenir la course de coupe de l'outil. Laisser la tronçonneuse et l'outil faire le travail.

ENTRETIEN

AVERTISSEMENT :

Utiliser exclusivement des pièces d'origine pour les réparations. L'usage de toute autre pièce pourrait créer une situation dangereuse ou endommager l'outil.

AVERTISSEMENT :

Toujours porter une protection oculaire avec écrans latéraux certifiée conforme à la norme ANSI Z87.1, avec protection auditive. Si cette précaution n'est pas prise, des objets peuvent être projetés dans les yeux et d'autres lésions graves.

AVERTISSEMENT :

Pour éviter les blessures graves, toujours retirer le bloc-piles de l'outil avant de le nettoyer, de l'entretenir ou de le ranger.

ENTRETIEN GÉNÉRAL

Éviter d'utiliser des solvants pour le nettoyage des pièces en plastique. La plupart des matières plastiques peuvent être endommagées par divers types de solvants du commerce. Utiliser un chiffon propre pour éliminer la saleté, la poussière, l'huile, la graisse, etc.

AVERTISSEMENT :

Ne jamais laisser de liquides tels que le fluide de freins, l'essence, les produits à base de pétrole, les huiles pénétrantes, etc., entrer en contact avec les pièces en plastique. Les produits chimiques peuvent endommager, affaiblir ou détruire le plastique, ce qui peut entraîner des blessures graves.

REPLACEMENT DE LA GARDE

Voir les figure 1 à 3, page 12.

Après un certain temps, le garde-meule peut s'user et devoir être remplacé. Si le garde-meule est endommagé à la suite d'une chute de la meuleuse, il devra également être remplacé. Voir la section **Installation et retrait de la garde-meule** plus haut dans ce manuel.

**NOTE: ILLUSTRATIONS COMMENCE À LA PAGE 12
APRÈS LES SECTION EN ESPAGNOL.**

ADVERTENCIAS DE SEGURIDAD PARA HERRAMIENTAS ELÉCTRICAS



ADVERTENCIA

Lea todas las advertencias de seguridad y todas las instrucciones. No seguir las advertencias e instrucciones podría resultar en electrocución, incendio y/o lesiones graves.

Guarde todas las advertencias e instrucciones para consultarlas en el futuro. El término “herramienta eléctrica” en las advertencias se refiere a las herramientas eléctricas que funcionan con corriente (con cordón) o las que funcionan con batería (inalámbricas).

ÁREA DE TRABAJO

- **Mantenga limpia y bien iluminada el área de trabajo.** Un área de trabajo mal despejada o mal iluminada propicia accidentes.
- **No utilice herramientas motorizadas en atmósferas explosivas, como las existentes alrededor de líquidos, gases y polvos inflamables.** Las herramientas eléctricas generan chispas que pueden encender el polvo y los vapores inflamables.
- **Mantenga alejados a los niños y circunstantes al maniobrar una herramienta eléctrica.** Toda distracción puede causar la pérdida del control de la herramienta.

SEGURIDAD ELÉCTRICA

- **Las clavijas de las herramientas eléctricas deben corresponder a las tomas de corriente donde se conectan. Nunca modifique la clavija de ninguna forma. No utilice ninguna clavija adaptadora con herramientas eléctricas dotadas de contacto a tierra.** Conectando las clavijas originales en las tomas de corriente donde corresponden se disminuye el riesgo de una descarga eléctrica.
- **Evite el contacto del cuerpo con las superficies de objetos conectados a tierra, como las tuberías, radiadores, estufas y refrigeradores.** Existe un mayor riesgo de descargas eléctricas si el cuerpo está haciendo tierra.
- **No exponga las herramientas eléctricas a la lluvia ni a condiciones de humedad.** La introducción de agua en una herramienta eléctrica aumenta el riesgo de descargas eléctricas.
- **No maltrate el cordón eléctrico. Nunca utilice el cordón para trasladar, desconectar o tirar de la herramienta eléctrica. Mantenga el cordón lejos del calor, aceite, bordes afilados y piezas móviles.** Los cordones eléctricos dañados o enredados aumentan el riesgo de descargas eléctricas.
- **Al utilizar una herramienta eléctrica a la intemperie, use un cordón de extensión apropiado para el exterior.** Usando un cordón adecuado para el exterior se disminuye el riesgo de descargas eléctricas.
- **Si debe operar una herramienta en lugares húmedos, use un suministro protegido por un interruptor de circuito con pérdida a tierra (GFCI).** El uso de un GFCI reduce el riesgo de descargas eléctricas.
- **Cargue las baterías solamente con el cargador indicado. Para utilizar con paquetes de baterías de iones de litio de 18 V, consulte el folleto de la herramienta/aparato/paquete de baterías/cargador complementario 987000-432.**

SEGURIDAD PERSONAL

- **Permanezca alerta, preste atención a lo que esté haciendo y aplique el sentido común al utilizar herramientas eléctricas. No utilice la herramienta eléctrica si está cansado o se**

encuentra bajo los efectos de alguna droga, alcohol o medicamento. Un momento de inatención al utilizar una herramienta eléctrica puede causar lesiones corporales serias.

- **Utilice protección el equipo otros. Siempre póngase protección ocular.** El uso de equipo protector como mascarilla para el polvo, calzado de seguridad, casco y protección para los oídos en las circunstancias donde corresponda disminuye el riesgo de lesiones.
 - **Evite que la herramienta se active accidentalmente. Asegúrese de que el interruptor esté en la posición de apagado antes de conectar la herramienta a un suministro de corriente o de colocar un paquete de baterías.** Transportar herramientas eléctricas con el dedo en el interruptor o enchufar herramientas eléctricas que tienen el interruptor encendido puede ocasionar accidentes.
 - **Retire toda llave o herramienta de ajuste antes de encender la herramienta eléctrica.** Toda llave o herramienta de ajuste dejada en una pieza giratoria de la herramienta eléctrica puede causar lesiones.
 - **No estire el cuerpo para alcanzar mayor distancia. Mantenga una postura firme y buen equilibrio en todo momento.** De esta manera se logra un mejor control de la herramienta eléctrica en situaciones inesperadas.
 - **Vístase adecuadamente. No vista ropas holgadas ni joyas. Mantenga el cabello, la ropa y los guantes alejados de las piezas móviles.** Las ropas holgadas y las joyas, así como el cabello largo, pueden engancharse en las piezas móviles.
 - **Si se suministran dispositivos para conectar mangueras de extracción y captación de polvo, asegúrese de que éstas estén bien conectadas y se usen correctamente.** El uso de la captación de polvo puede reducir los peligros relacionados con éste.
 - **No permita que la familiaridad obtenida por el uso frecuente de las herramientas lo vuelva complaciente e ignore los principios de seguridad de las herramientas.** Una acción descuidada puede causar lesiones graves en una fracción de segundo.
 - **No vista ropas holgadas ni joyas. Recójase el cabello si está largo.** Las ropas holgadas y las joyas, así como el cabello largo, pueden resultar atraídas hacia el interior de las aberturas de ventilación.
 - **No utilice la unidad al estar en una escalera o en un soporte inestable.** Una postura estable sobre una superficie sólida permite un mejor control de la herramienta eléctrica en situaciones inesperadas.
- ## EMPLEO Y CUIDADO DE LA HERRAMIENTA ELÉCTRICA
- **No fuerce la herramienta eléctrica. Utilice la herramienta eléctrica adecuada para cada trabajo.** La herramienta eléctrica adecuada efectúa mejor y de manera más segura el trabajo, si además se maneja a la velocidad para la que está diseñada.
 - **No utilice la herramienta si el interruptor no enciende o no apaga.** Cualquier herramienta eléctrica que no pueda controlarse con el interruptor es peligrosa y debe repararse.
 - **Desconecte la clavija del suministro de corriente o retire el paquete de pilas de la herramienta eléctrica, según sea el caso, antes de efectuarle cualquier ajuste, cambiarle accesorios o guardarla.** Tales medidas preventivas de

ADVERTENCIAS DE SEGURIDAD PARA HERRAMIENTAS ELÉCTRICAS

seguridad reducen el riesgo de poner en marcha accidentalmente la herramienta eléctrica.

- **Guarde las herramientas eléctricas desocupadas fuera del alcance de los niños y no permita que las utilicen personas no familiarizadas con las mismas o con estas instrucciones.** Las herramientas eléctricas son peligrosas en manos de personas no capacitadas en el uso de las mismas.
- **Mantenimiento de las herramientas eléctricas.** Revise para ver si hay desalineación o atoramiento de piezas móviles, ruptura de piezas o toda otra condición que pueda afectar el funcionamiento de la herramienta eléctrica. Si está dañada la herramienta eléctrica, permita que la reparen antes de usarla. Numerosos accidentes son causados por herramientas eléctricas mal cuidadas.
- **Mantenga las herramientas de corte afiladas y limpias.** Las herramientas de corte bien cuidadas y con bordes bien afilados, tienen menos probabilidad de atascarse en la pieza de trabajo y son más fáciles de controlar.
- **Use la herramienta eléctrica, los accesorios, las brocas, etc. según estas instrucciones, teniendo en cuenta las condiciones de trabajo y la tarea que se va a realizar.** Si se utiliza la herramienta eléctrica para operaciones diferentes de las indicadas podría originar una situación peligrosa.
- **Mantenga los mangos y superficies de agarre limpias y libres de aceite y grasa.** Los mangos y superficies de agarre resbalosas no permiten la manipulación y control seguro de la herramienta en situaciones inesperadas.

EMPLEO Y CUIDADO DE LA HERRAMIENTA DE BATERÍAS

- **Sólo cargue el paquete de baterías con el cargador especificado por el fabricante.** Un cargador adecuado para un tipo paquete de baterías puede significar un riesgo de incendio si se emplea con un paquete de baterías diferente.
- **Utilice las herramientas eléctricas sólo con los paquetes de baterías específicamente indicados.** El empleo de paquetes de baterías diferentes puede presentar un riesgo de incendio.

- **Cuando no esté utilizándose el paquete de baterías, manténgalo lejos de otros objetos metálicos, como clips, monedas, llaves, clavos, tornillos o otros objetos metálicos, pequeños que puedan establecer conexión entre ambas terminales.** Establecer una conexión directa entre las dos terminales de las baterías puede causar quemaduras o incendios.
- **Si se maltratan las baterías, puede derramarse líquido de las mismas; evite todo contacto con éste. En caso de contacto, lávese con agua. Si el líquido llega a tocar los ojos, además busque atención médica.** El líquido de las baterías puede causar irritación y quemaduras.
- **No utilice un paquete de baterías o una herramienta que esté dañado o modificado.** Las baterías dañadas o modificadas pueden tener un funcionamiento impredecible que provoque incendios, explosiones o riesgo de lesiones.
- **No exponga el paquete de baterías o una herramienta al fuego o a temperaturas excesivas.** La exposición al fuego o a temperatura sobre los 130 °C (265 °F) puede provocar explosiones.
- **Siga todas las instrucciones de carga y no cargue el paquete de baterías ni la herramienta fuera del rango de temperaturas especificado en las instrucciones.** Si realiza la carga en forma incorrecta o fuera de las temperaturas del rango especificado puede dañar la batería y aumentar el riesgo de incendios.

SERVICIO

- **Permita que un técnico de reparación calificado preste servicio a la herramienta eléctrica, y sólo con piezas de repuesto idénticas.** De esta manera se mantiene la seguridad de la herramienta eléctrica.
- **Nunca repare paquetes de baterías dañados.** La reparación de paquetes de baterías solo puede ser realizada por el fabricante o proveedores de servicio autorizados.

ADVERTENCIAS DE SEGURIDAD PARA HERRAMIENTA DE CORTE/AMOLADORA

ADVERTENCIAS DE SEGURIDAD COMUNES PARA LAS OPERACIONES DE ESMERILADO O CORTE POR ABRASIÓN

- **Este dispositivo eléctrico sirve como amoladora o herramienta de corte. Lea todas las advertencias de seguridad, ilustraciones y especificaciones suministradas con esta herramienta eléctrica.** La inobservancia de todas las instrucciones que se enumeran a continuación puede causar descargas eléctricas, incendios o lesiones graves.
- **Las operaciones como el lijado, el cepillado con alambre o el pulido no se recomiendan con esta herramienta eléctrica.** Realizar operaciones para las cuales esta herramienta no fue diseñada puede representar un peligro y producir lesiones.

- **No utilice accesorios que no estén específicamente diseñados y recomendados por el fabricante de la herramienta.** El hecho de que el accesorio pueda acoplarse a su herramienta eléctrica no significa que su funcionamiento sea seguro.
- **La velocidad nominal del accesorio debe ser, por lo menos, igual a la velocidad máxima que se indica en la herramienta.** Los accesorios que se utilizan a una mayor velocidad que su velocidad nominal pueden romperse y salir lanzados.
- **El diámetro exterior y el espesor del accesorio deben tener la capacidad nominal de su herramienta eléctrica.** Los accesorios de un tamaño incorrecto no pueden protegerse ni controlarse de forma adecuada.

ADVERTENCIAS DE SEGURIDAD PARA HERRAMIENTA DE CORTE/AMOLADORA

- **El montaje roscado de los accesorios debe coincidir con la rosca de husillo de la esmeriladora. Para los accesorios montados por bridas, el orificio del mandril del accesorio debe coincidir con el diámetro de ubicación de la brida.** Los accesorios que no coincidan con la tornillería de montaje de la herramienta eléctrica se desequilibrarán, vibrarán excesivamente y podrán provocar la pérdida del control.
- **No use un accesorio dañado. Antes de cada uso inspeccione los accesorios como discos abrasivos para controlar si hay virutas y grietas, almohadillas de respaldo para controlar si hay grietas, desgaste y deterioro excesivo, cepillo de alambre para controlar si hay cables sueltos y agrietados. Si la herramienta eléctrica o el accesorio se caen, examine los daños o instale un accesorio en buen estado. Luego de inspeccionar e instalar un accesorio, usted y las personas presentes deben mantenerse alejados del plano del accesorio giratorio. Usted debe accionar la herramienta durante un minuto en la velocidad máxima en vacío.** Normalmente, los accesorios dañados se quiebran durante esta prueba.
- **Use un equipo de protección personal. Según la aplicación, use protectores faciales, gafas o lentes de seguridad. Según corresponda, use máscaras contra polvo, protectores auditivos, guantes y delantales de trabajo que puedan detener pequeños fragmentos y abrasivos o de la pieza de trabajo. La protección ocular debe proteger de los residuos suspendidos en el aire que se generan por varias operaciones.** La protección ocular debe proteger de los residuos suspendidos en el aire que se generan por varias operaciones. La máscara contra polvo o el respirador deben filtrar las partículas generadas durante el funcionamiento. La exposición prolongada a ruidos de alta intensidad puede producir pérdida auditiva.
- **Mantenga a las personas presentes a una distancia segura del área de trabajo. Todas las personas que ingresen al área de trabajo deben usar equipo de protección personal.** Los fragmentos de la pieza de trabajo o de un accesorio roto pueden salir despedidos y causar lesiones más allá del área próxima al funcionamiento.
- **Sujete la herramienta eléctrica por las superficies aisladas de sujeción únicamente, al efectuar una operación en la cual la herramienta de corte pueda entrar en contacto con cables ocultos.** Un cable “cargado con corriente” que se encuentre en contacto con un cable con corriente también hará que las piezas metálicas de la herramienta eléctrica se “carguen con corriente” y podría dale una descarga eléctrica al operador.
- **Coloque el cable lejos del accesorio giratorio.** En cas de perte de contrôle, le cordon peut être coupé ou accroché, et la main ou le bras de l'utilisateur risquent d'entrer en contact avec l'accessoire en rotation.
- **Nunca suelte la herramienta eléctrica antes de que el accesorio se haya detenido por completo.** El accesorio en movimiento puede prenderse de la superficie y hacer que usted pierda el control de la herramienta.
- **No haga funcionar la herramienta mientras la transporta a su costado.** El contacto accidental con el accesorio en movimiento

puede enganchar la ropa y hacer que el accesorio se arrastre hacia el cuerpo.

- **Limpie regularmente las rejillas de ventilación de la herramienta eléctrica.** El ventilador del motor aspirará el polvo dentro de la carcasa y la acumulación excesiva de metal en polvo puede producir riesgos eléctricos.
- **No utilice la herramienta eléctrica cerca de materiales inflamables.** Las chispas pueden encender estos materiales.
- **No use accesorios que requieran refrigerantes líquidos.** El uso de agua u otros refrigerantes líquidos puede causar electrocución o descarga eléctrica.

CONTRAGOLPE Y ADVERTENCIAS RELACIONADAS

El contragolpe es una reacción súbita a un disco en movimiento, almohadilla de respaldo, cepillo o cualquier otro accesorio pellizcado o atorado. El pellizcamiento o atoramiento hacen que el accesorio rotatorio se detenga repentinamente; esto, a la vez, hace que la herramienta eléctrica fuera de control sea despedida en dirección opuesta a la rotación del accesorio en el punto del atoramiento.

Por ejemplo, si un disco abrasivo se pellizca o atora en la pieza de trabajo, el borde del disco que entra en el punto de pellizcamiento puede penetrar en la superficie del material haciendo que el disco se salga o dé un contragolpe. Es posible que el disco salte hacia el operador o en dirección opuesta a él, según la dirección del movimiento del disco en el punto de pellizcamiento. Los discos abrasivos también se pueden romper en estas condiciones.

El contragolpe es el resultado del uso incorrecto de la herramienta eléctrica y/o de procedimientos o condiciones de trabajo incorrectas, y puede evitarse tomando las medidas de precaución adecuadas, como las señaladas abajo.

- **Sujete firmemente la herramienta eléctrica y coloque el cuerpo y los brazos de manera tal que resista la fuerza del contragolpe. Siempre utilice el mango auxiliar, si se proporciona, para tener un máximo control sobre los contragolpes o las reacciones por el par de torsión durante el encendido.** El operador puede controlar las reacciones por el par de torsión o por las fuerzas de contragolpe, siempre que tome las precauciones adecuadas.
- **Nunca coloque la mano cerca del accesorio giratorio.** El accesorio puede rebotar en la mano.
- **No coloque el cuerpo en el área en la que la herramienta llegue a moverse si ocurre una fuerza de contragolpe.** El contragolpe impulsará la herramienta en la dirección opuesta del movimiento del disco en el punto de enganche.
- **Preste especial atención cuando trabaje sobre ángulos, bordes filosos, etc. Evite el rebote y el enganche del accesorio.** Los ángulos, los bordes filosos o el rebote tienden a enganchar el accesorio giratorio y hacer perder el control o producir contragolpes.
- **No acople una hoja de motosierra para tallar en madera ni una hoja de sierra dentada.** Dichas hojas producen frecuentes contragolpes y la pérdida de control.

ADVERTENCIAS DE SEGURIDAD PARA HERRAMIENTA DE CORTE/AMOLADORA

ADVERTENCIAS DE SEGURIDAD ESPECÍFICAS PARA LAS OPERACIONES DE ESMERILADO O CORTE POR ABRASIÓN

- Use solamente tipos de discos recomendados para su herramienta eléctrica y la protección específica diseñada para el disco seleccionado. Los discos que no fueron diseñados para la herramienta eléctrica no pueden protegerse correctamente y no son seguros.
- La superficie de esmerilado de los discos empotrados centrales debe montarse debajo del plano del reborde del protector. Un disco montado incorrectamente que se proyecte a través del plano del reborde del protector no puede protegerse en forma adecuada.
- La protección debe ajustarse de forma segura a la herramienta y colocarse para brindar la máxima seguridad de modo que el operador esté expuesto a una sección mínima del disco. La protección ayuda a proteger al operador de los fragmentos de disco rotos y del contacto accidental con el disco y las chispas que pueden prender fuego a la ropa.
- Sólo se debe utilizar el disco para las aplicaciones recomendadas. Por ejemplo: no esmerile con el costado del disco de corte. Los discos de corte abrasivos están diseñados para el esmerilado periférico, las fuerzas laterales que se apliquen a estos discos pueden hacer que se rompan en pedazos.
- Use siempre bridas para discos en buen estado que sean de la forma y el tamaño correctos para el disco seleccionado. Las bridas adecuadas soportan al disco y de este modo reducen la posibilidad de que el disco se rompa. Las bridas para discos de corte pueden ser diferentes de las bridas de discos abrasivos.
- No utilice discos gastados de herramientas eléctricas más grandes. Los discos diseñados para herramientas eléctricas más grandes no son adecuados para la velocidad más alta de las herramientas más pequeñas y pueden explotar.

OTRAS ADVERTENCIAS DE SEGURIDAD ESPECÍFICAS PARA LAS OPERACIONES DE CORTE POR ABRASIÓN

- Evite forzar el disco de corte o aplicar demasiada presión. No intente realizar un corte excesivamente profundo. Al forzar demasiado el disco, aumentan la carga y la propensión de que este se doble o se atasque durante el corte. También es posible que se produzca un contragolpe o se dañe el disco.
- No se ubique en la línea del disco en movimiento ni detrás de él. Cuando el disco se aleje del cuerpo en el momento de la operación, el posible contragolpe podría impulsar el disco giratorio y la herramienta eléctrica directamente hacia usted.
- Cuando el disco se atasque o se interrumpa el corte por algún motivo, debe apagar la herramienta eléctrica y mantenerla inmóvil hasta que el disco se detenga por completo. Nunca intente quitar el disco de corte de este mientras esté en movimiento; si lo hace, se puede producir un contragolpe. Investigue y tome las medidas correctivas pertinentes para eliminar la causa del atasco del disco.
- No reinicie la operación de corte en la pieza de trabajo. Permita que el disco alcance la velocidad máxima y vuelva a introducirlo en el corte cuidadosamente. El disco puede atascarse, moverse hacia atrás o producir un contragolpe si la herramienta eléctrica se vuelve a encender en la pieza de trabajo.
- Sujete los paneles o cualquier pieza de trabajo demasiado grande para minimizar el riesgo de atoramiento y contragolpe del disco. Las piezas de trabajo grandes tienden a pandearse por su propio peso. Se deben colocar soportes debajo de la pieza de trabajo, cerca de la línea de corte y cerca del borde de la pieza de trabajo a ambos lados del disco.
- Tenga especial cuidado al efectuar cortes en cavidad en paredes existentes o en otras partes ciegas (sin vista por ambos lados). El disco que sobresale podría cortar tuberías de gas o agua, cables eléctricos u objetos que podrían provocar un contragolpe.

CALIFORNIA - PROPUESTA DE LEY NÚM. 65



ADVERTENCIA:

Este producto y algunos polvos generados al efectuarse operaciones de lijado, aserrado, esmerilado, taladrado y otras actividades de la construcción, contienen sustancias químicas reconocidas por el estado de California como causantes de cáncer, defectos congénitos y otras afecciones del aparato reproductor. **Lávase las manos después de utilizar el aparato.**




Algunos ejemplos de estas sustancias químicas son:

- lead from lead-based paints,
- crystalline silica from bricks and cement and other masonry products and,
- arsenic and chromium from chemically treated lumber.







El riesgo de la exposición a estos compuestos varía, según la frecuencia con que se realice este tipo de trabajo. Para reducir la exposición personal, trabaje en áreas bien ventiladas, y con equipo de seguridad aprobado, tal como las caretas para el polvo especialmente diseñadas para filtrar partículas microscópicas.

SÍMBOLOS

Las siguientes palabras de señalización y sus significados tienen el objeto de explicar los niveles de riesgo relacionados con este producto.

SÍMBOLO	SEÑAL	SIGNIFICADO
	PELIGRO:	Indica una situación peligrosa, la cual, si no se evita, causará la muerte o lesiones serias.
	ADVERTENCIA:	Indica una situación peligrosa, la cual, si no se evita, podría causar la muerte o lesiones serias.
	PRECAUCIÓN:	Indica una situación peligrosa, la cual, si no se evita, podría causar lesiones menores o leves.
	AVISO:	(Sin el símbolo de alerta de seguridad) Indica la información que se considera importante, pero no relacionada con lesiones potenciales (por ej. en relación a daños a la propiedad).

Es posible que se empleen en este producto algunos de los siguientes símbolos. Le suplicamos estudiarlos y aprender su significado. Una correcta interpretación de estos símbolos le permitirá utilizar mejor y de manera más segura el producto.

SÍMBOLO	NOMBRE	DENOMINACIÓN/EXPLICACIÓN
	Alerta de seguridad	Indica un peligro posible de lesiones personales.
	Lea el manual del operador	Para reducir el riesgo de lesiones, el usuario debe leer y comprender el manual del operador antes de usar este producto.
	Protección para los ojos	Siempre póngase la protección ocular con protección lateral marcada conforme al ANSI Z87.1.
	Protección para los ojos y oídos	Siempre póngase protección ocular con protección lateral con la marca de cumplimiento de la norma ANSI Z87.1 junto con protección auditiva.
	Alerta de condiciones húmedas	No exponga la unidad a la lluvia ni la use en lugares húmedos.
	Símbolo de reciclado	Este producto utiliza baterías de iones de litio (Li-ion). Es posible que algunas leyes municipales, estatales o federales prohíban desechar las baterías en la basura normal. Consulte a las autoridades reguladoras de desechos para obtener información en relación con las alternativas de reciclado y desecho disponibles.
V	Volts	Voltaje
min	Minutos	Tiempo
==	Corriente continua	Tipo o característica de corriente
n	Velocidad nominal	Velocidad de rotación, en vacío
.../min	Por minuto	Revoluciones, carreras, velocidad superficial, órbitas, etc., por minuto

CARACTERÍSTICAS

ESPECIFICACIONES DEL PRODUCTO

Capacidad de la muela abrasiva 114 mm (4-1/2 pulg.)
Velocidad nominal 10 400 r/min. (RPM)

Rosca del husillo 5/8 pulg. (16 mm) x 11 UNC
Disco Esmerilado (tipo 27) o corte (tipo 1)

ARMADO

DESEMPAQUETADO

Este producto debe armarse.

- Extraiga cuidadosamente de la caja la herramienta y los accesorios. Todos los elementos enumerados en la sección “**Incluye**” se deben incluir al momento de la compra.

ADVERTENCIA:

Las piezas incluidas en esta sección de *Armado* no vienen ensambladas en el producto de fábrica y requieren la instalación por parte del cliente. El uso de un producto que pueda haber sido armado de manera incorrecta podría provocar lesiones personales graves.

- Si hay piezas dañadas o faltantes, le suplicamos llamar al 1-800-525-2579, donde le brindaremos asistencia. En México, llame al 01-800-843-1111.

ADVERTENCIA:

Si falta o está dañada alguna pieza, no utilice este producto sin haber reemplazado la pieza. Usar este producto con partes dañadas o faltantes puede causar lesiones serias al operador.

ADVERTENCIA:

No intente modificar este producto ni hacer aditamentos ni accesorios no recomendados para el mismo. Cualquier alteración o modificación constituye maltrato el cual puede causar una condición peligrosa, y como consecuencia posibles lesiones corporales serias.

INSTALACIÓN / REEMPLAZO DE LA PROTECCIÓN

Vea las figuras 1 - 3, página 12.

NOTA: La protección del disco de corte y la protección del disco de esmerilado se instalan y retiran del mismo modo. La protección del disco de corte está protegido en ambos lados del disco de corte.

Para instalar:

- Ponga la nueva protección en la pestaña de la tapa del cojinete alineando las flechas de la protección respecto a la tapa del cojinete. Presione la protección hasta que esté completamente asentada.
- Oprima la planca y gire la protección a la posición correcta. Consulte el apartado **Posicionamiento de la protección de la muela**.

NOTA: Asegúrese de que la costilla realizada de la protección quede sentada en la ranura de la tapa del cojinete.

- Instale la brida del disco, el disco de esmerilado o corte y la tuerca de fijación como se describen más adelante en esta sección.
- Con la llave suministrada apriete firmemente la tuerca de presión.

Para retirar:

- Quite la brida del disco, el disco de esmerilado o corte y la tuerca de fijación.
- Presione la palanca y gire la protección para alinear sus flechas con la tapa de cojinete.
- Quite la protección.

CÓMO INSTALAR/QUITAR EL DISCO DE ESMERILADO

Vea la figura 1, página 12.

ADVERTENCIA:

Inspeccione completamente toda muela abrasiva antes de instalarla en la amoladora.

- Golpee levemente alrededor de la muela abrasiva con un martillo de madera.
- Escuche cuidadosamente los sonidos producidos. Los lugares con fisuras o grietas producen un sonido diferente.

No utilice muelas abrasiva que tengan fisuras o grietas. Al instalar una nueva muela abrasiva, efectúe una prueba de revolución en vacío de un minuto aproximadamente, con la muela orientada en una dirección segura, o sea hacia donde no haya personas ni objetos.

ARMADO

- Instale la protección del disco de esmerilado.
- Coloque la brida del disco en el husillo. Asegúrese de que las partes planas de la parte inferior de la brida circular queden enganchadas en las partes planas del husillo.
- Coloque el disco de esmerilado sobre el husillo.

ADVERTENCIA:

Siempre instale las muelas abrasivas con el centro hundido contra la brida circular. De otra manera se causa el agrietamiento de la muela abrasiva al apretar la tuerca de sujeción. Esto puede producir lesiones corporales serias debido a la separación y lanzamiento de partículas flojas de la muela. No la apriete excesivamente.

- Enrosque la tuerca de sujeción en el husillo con el lado plano de la tuerca hacia arriba.
- Acomode la parte elevada, la del diámetro pequeño de la tuerca de presión, en el orificio de la muela y apriétela con los dedos.
- Oprima el botón del bloqueo del husillo y gire hacia la derecha la muela hasta que se inmovilice el husillo en su posición.
- Con la llave suministrada apriete firmemente la tuerca de presión. No la apriete excesivamente.

Para retirar:

- Oprima el botón del seguro del husillo y gire la tuerca de sujeción hasta que se inmovilice el husillo.

NOTA: Para evitar dañar el husillo o el seguro del mismo, siempre deje que el motor se detenga completamente antes de enganchar el seguro.

- Afloje y retire del husillo la tuerca de sujeción .
- Quite el disco de esmerilado y la brida del disco.

CÓMO INSTALAR/QUITAR EL DISCO DE CORTE

Vea la figura 3, página 12.

- Instale la protección del disco de corte.
- Coloque la brida del disco en el husillo. Asegúrese de que las partes planas de la parte inferior de la brida queden enganchadas en las partes planas del husillo.
- Encaje la rueda de cortar dentro del protector de la rueda y hacia el perno.

ADVERTENCIA:

Siempre instale la rueda de cortar con el lado plano de la tuerca con arandela contra la rueda. De no hacerlo así, podría causar que la rueda de cortar se raje al apretar la tuerca. Esto podría causar lesiones personales graves por el desprendimiento de partículas durante el funcionamiento de la herramienta. No ajuste en exceso.

- Apriete la tuerca con arandela sobre el perno con la porción elevada y de diámetro pequeño de la tuerca con arandela mirando hacia arriba.
- Encaje el lado plano de la tuerca con arandela contra la parte exterior de la rueda y ajústela a mano.
- Oprima el botón del seguro del husillo y gire hacia la derecha la muela hasta que se inmovilice el husillo en su posición.
- Con la llave suministrada apriete firmemente la tuerca de sujeción. No la apriete excesivamente.

Para retirar:

- Oprima el botón del seguro del husillo y gire la tuerca de sujeción hasta que se inmovilice el husillo.

NOTA: Para evitar que se dañe el husillo o el seguro del husillo, siempre deje que el motor se detenga por completo antes de accionar el seguro del husillo.

- Afloje y retire del husillo la tuerca de sujeción .
- Quite el disco de corte y la brida del disco.

INSTALACIÓN DEL MANGO LATERAL

Vea la figura 4, página 13.

ADVERTENCIA:

Siempre debe utilizarse para evitar la pérdida del control y posibles lesiones serias.

El mango puede instalarse en la parte superior, el lado izquierdo, o el lado derecho de la herramienta, según la preferencia del operador.

- Introduzca el mango lateral en la posición de operación deseada.
- Gire el mango lateral en sentido horario para ajustarlo firmemente.

FUNCIONAMIENTO

ADVERTENCIA:

No permita que su familiarización con este producto le vuelva descuidado. Tenga presente que un descuido de un instante es suficiente para infligir una lesión grave.

ADVERTENCIA:

Siempre retire de la herramienta el paquete de baterías al montarle piezas, hacerle ajustes, montarle o desmontarle hojas, limpiarla o tenerla desocupada. Retirando el paquete de baterías se evita arrancar accidentalmente la unidad, lo cual puede causar lesiones serias.

ADVERTENCIA:

Siempre póngase protección ocular con protección lateral con la marca de cumplimiento de la norma ANSI Z87.1. La inobservancia de esta advertencia puede permitir que los objetos lanzados hacia los ojos puedan provocar lesiones graves.

ADVERTENCIA:

No utilice ningún aditamento o accesorio no recomendado por el fabricante de este producto. El empleo de aditamentos o accesorios no recomendados podría causar lesiones serias.

APLICACIONES

Este producto puede emplearse para el fin señalado abajo:

- Esmerilado de metales
- Cortar metales, como acero laminado, caños, barras de acero, aluminio, bronce y cobre

ADVERTENCIA:

Los productos de baterías siempre están en condiciones de funcionamiento. Por lo tanto, siempre debe estar en la posición de APAGADO el interruptor cuando no esté usándose la unidad o el operador la lleve por un lado.

INSTALACIÓN/QUITAR DEL PAQUETE DE BATERÍAS

Vea la figura 5, página 13.

Para instalar:

- Coloque el paquete de baterías.
- Asegúrese de que los pestillos situados a ambos lados del paquete de baterías entren a presión en su lugar y de que el paquete se coloque correctamente en el producto antes de empezar a utilizarlo.

Para quitar:

- Oprima los pestillos de cada lado del paquete de baterías.

INTERRUPTOR DE ENCENDIDO/APAGADO

Vea la figura 6, página 13.

Para ENCENDER la herramienta:

- Coloque el paquete de baterías.
- Sostenga la herramienta al frente y lejos de usted, manteniendo la muela alejada de la pieza de trabajo.
- Presione la parte trasera del interruptor de encendido/apagado y empújelo hacia adelante hasta la posición de ENCENDIDO.

Para APAGAR la herramienta:

- Suelte el interruptor y deje que vuelva hacia atrás a la posición de APAGADO.

Para trabar la herramienta:

La herramienta cuenta con una función de bloqueo que resulta práctica para esmerilar o cortar durante períodos prolongados.

- Coloque el paquete de baterías.
- Sostenga la herramienta al frente y lejos de usted, manteniendo la muela alejada de la pieza de trabajo.
- Presione la parte trasera del interruptor de encendido/apagado y empújelo hacia adelante hasta la posición de ENCENDIDO.
- Empuje la parte delantera del interruptor de encendido/apagado hacia abajo para bloquear la herramienta en la posición de ENCENDIDO.
- Para liberar el bloqueo, presione la parte trasera del interruptor de encendido/apagado y deje que vuelva hacia atrás a la posición de APAGADO.

POSICIONAMIENTO DE LA PROTECCIÓN

Vea las figuras 7 a 11, página 13.

NOTA: La protección del disco de corte y la protección del disco de esmerilado se ubican del mismo modo.

La protección de la muela en la herramienta debe estar posición correctamente según la ubicación del mango lateral y según el tipo de operación que realice (corte o esmerilado). Nunca utilice la herramienta si la protección de la muela no está debidamente en su lugar o si las flechas indicadoras están alineadas.

ADVERTENCIA:

Nunca coloque la protección de la muela de manera que quede al frente de la herramienta. Esto puede producir lesiones serias debido a que las chispas y partículas sueltas lanzadas por la muela abrasiva saldrían dirigidas hacia el operador. Siempre coloque la protección de la muela en el lugar correcto, como se muestra.

FUNCIONAMIENTO

Para ajustar la protección de la muela:

- Retire el paquete de baterías.
- Oprima la palanca y gire la protección a su posición correcta, como se muestra.

NOTA: Asegúrese de que la costilla realizada de la protección quede sentada en la ranura de la tapa del cojinete. Nunca utilice la amoladora sin la protección montada en su lugar y ajustada correctamente.

ESMERILAR CON LA HERRAMIENTA

Veja la figura 12, página 14.

Siempre escoja y utilice cuidadosamente las muelas abrasivas recomendadas para el material por esmerilar. Cerciórese de que la velocidad de funcionamiento mínima de la rueda accesorio seleccionada sea al menos de 10 400 /min. como mínimo. La muela abrasiva suministrada con la amoladora es apropiada para esmerilar partes soldadas, preparar superficies por soldar, esmerilar acero estructural y esmerilar acero inoxidable.

Para esmerilar con la herramienta:

- Asegure el trabajo con una prensa de mano o fijela en un banco de trabajo.

PELIGRO:

Nunca utilice la amoladora con la protección desmontada. La herramienta ha sido diseñada para utilizarse solamente con la protección montada. Intentar utilizar la amoladora con la protección desmontada puede causar el lanzamiento de partículas flojas hacia el operador, con las consiguientes lesiones corporales serias.

- Retire el paquete de baterías.
- Instale la protección del disco de esmerilado y el disco de esmerilado.
- Coloque el paquete de baterías.
- Sostenga con ambas manos la amoladora al frente y lejos de usted, manteniendo la muela abrasiva alejada de la pieza de trabajo.
- ENCIENDA la herramienta y deje que el motor y la muela abrasiva alcancen la máxima velocidad.
- Baje gradualmente la amoladora hasta que la muela abrasiva toque la pieza de trabajo.

ADVERTENCIA:

Para evitar perder el control y sufrir lesiones corporales serias, siempre maneje la amoladora con ambas manos, manteniendo una de ellas en el mango lateral.

- Para obtener mejores resultados, mantenga la amoladora inclinada en un ángulo de 5° a 15° y moviéndola continuamente con un ritmo uniforme y consistente.

AVISO:

Si se mantiene la amoladora en un solo lugar demasiado tiempo, deja marcas y ranuras en la pieza de trabajo. Si se sostiene la amoladora a un ángulo muy pronunciado, también deja marcas en la pieza de trabajo debido a la concentración de presión en un área pequeña.

- Aplique justamente la presión suficiente para evitar el traqueteo y el rebote de la amoladora.

NOTA: Una presión elevada disminuye la velocidad de la amoladora y exige más esfuerzo por parte del motor. Normalmente el peso de la herramienta por sí mismo suministra la presión adecuada para la mayoría de los trabajos de esmerilado. Aplique una presión leve al esmerilar bordes mellados o pernos flojos, donde exista la posibilidad de que la amoladora se atore en el borde metálico.

- Levante la amoladora de la pieza de trabajo antes de apagarla.

CORTAR CON LA HERRAMIENTA

Veja la figura 13, página 14.

Es importante comprender el método correcto para cortar con la herramienta. Consulte la figura de esta sección para ver la forma correcta de manipular la herramienta durante una operación de corte.

ADVERTENCIA:

Para mantener un control apropiado, siempre use la herramienta con ambas manos, manteniendo una de ellas en el mango lateral. La pérdida de control podría causar un accidente, y como consecuencia posibles lesiones corporales serias.

ADVERTENCIA:

Puesto que la muela queda expuesta por la parte inferior de la pieza de trabajo, mantenga las manos y los dedos alejados del área de corte. Cualquier parte del cuerpo que toque la muela en movimiento puede resultar lesionada seriamente.

ADVERTENCIA:

No esmerile con el lado de un disco de trocear. Los discos de trocear abrasivos están diseñados para el esmerilado periférico y las fuerzas laterales aplicadas a estos discos pueden romperlos.

Para realizar el mejor corte posible:

- Sujete firmemente la pieza de trabajo con prensas, y corte cerca del punto de sujeción para eliminar toda vibración posible de la pieza. Cortar la pieza de trabajo

FUNCIONAMIENTO

utilizando el borde periférico del disco de corte. Al cortar tubo conduit, así como tubo o ángulo de hierro, sujete la pieza de trabajo en una prensa de banco si es posible y corte cerca de la prensa. Para cortar material en forma de lámina delgada, “emparédelo” entre dos paneles de madera prensada o contrachapada y sujete las capas con prensas para eliminar la vibración y el desgarramiento del material.

PELIGRO:

Nunca utilice la amoladora con la protección desmontada. La herramienta ha sido diseñada para utilizarse solamente con la protección montada. Intentar utilizar la amoladora con la protección desmontada puede causar el lanzamiento de partículas flojas hacia el operador, con las consiguientes lesiones corporales serias.

- Retire el paquete de baterías.
- Instale la protección del disco de corte y el disco de corte.
- Coloque el paquete de baterías.
- Sostenga con ambas manos la herramienta al frente y lejos de usted, manteniendo la disco de corte alejada de la pieza de trabajo.
- ENCIENDA la herramienta y deje que el motor y el disco de corte alcancen la velocidad máxima.
- Mueva el disco de corte por la pieza de trabajo.

NOTA: No fuerce la herramienta. Solo use la presión suficiente para permitir que la herramienta siga cortando. Deje que el disco y la herramienta hagan su trabajo.

MANTENIMIENTO

ADVERTENCIA:

Al dar servicio a la herramienta, utilice solamente piezas de repuesto idénticas. El empleo de piezas diferentes puede implicar peligro o causar daños al producto.

ADVERTENCIA:

Siempre póngase protección ocular con protección lateral con la marca de cumplimiento de la norma ANSI Z87.1 junto con protección para los oídos. La inobservancia de esta advertencia puede permitir que los objetos lanzados hacia los ojos y otros provocarles lesiones graves.

ADVERTENCIA:

Para evitar lesiones personales graves, siempre retire el paquete de baterías de la herramienta antes de limpiarla, realizarle tareas de mantenimiento o almacenarla.

MANTENIMIENTO GENERAL

Evite el empleo de solventes al limpiar piezas de plástico. La mayor parte de los plásticos son susceptibles a diferentes tipos de solventes comerciales y pueden resultar dañados. Utilice paños limpios para eliminar la suciedad, polvo, aceite, grasa, etc.

ADVERTENCIA:

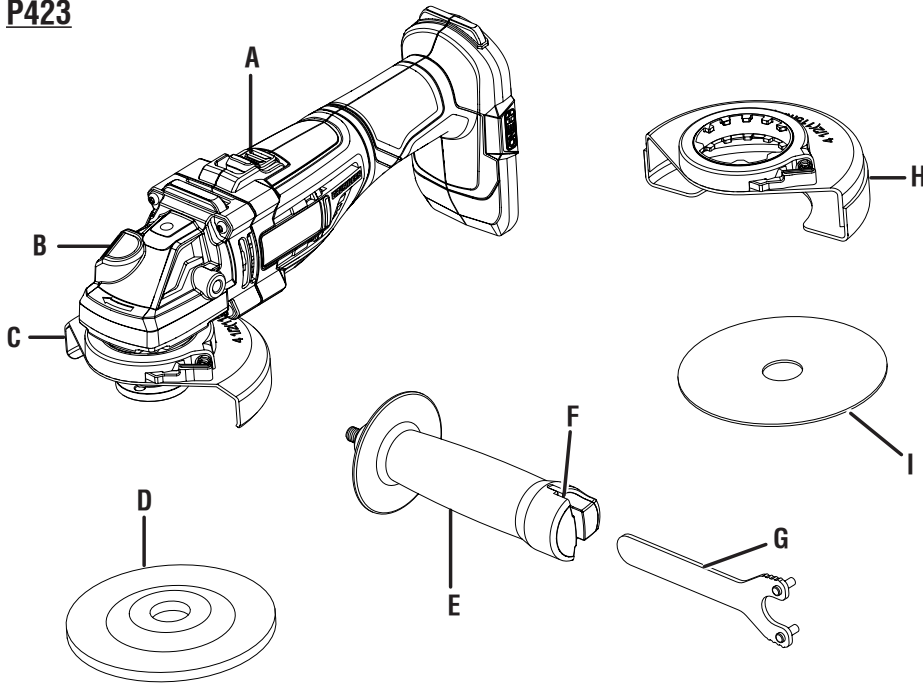
No permita en ningún momento que líquido para frenos, gasolina, productos a base de petróleo, aceites penetrantes, etc., entren en contacto con las piezas de plástico. Las sustancias químicas pueden dañar, debilitar o destruir el plástico, lo cual puede a su vez producir lesiones corporales graves.

REEMPLAZO DE LA PROTECCIÓN

Vea las figuras 1 a 3, página 12.

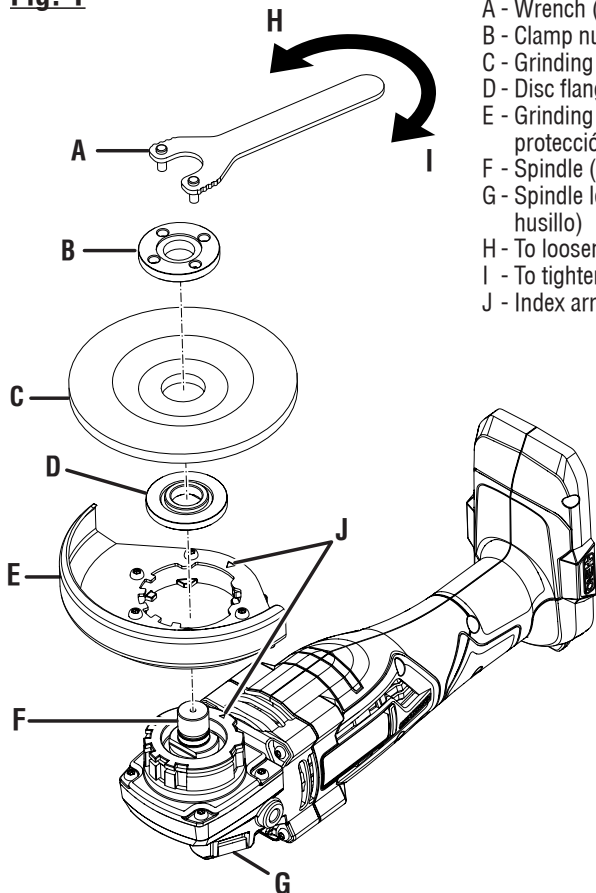
Después de un uso prolongado, la protección puede gastarse y necesitar cambiarse. Si deja caer la amoladora y se daña la protección, también es posible que sea necesario cambiarla. Consulte el apartado **Cómo instalar/quitar el disco de corte** previamente en este manual.

P423



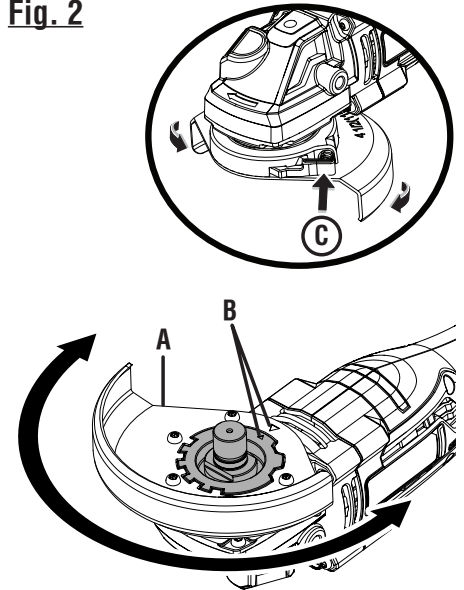
- A - On/off switch (interrupteur marche/arrêt, interruptor de encendido/apagado)
- B - Spindle lock button (bouton de verrouillage, boton de bloqueo del husillo)
- C - Grinding wheel guard (garde-meule à meuler, protección del disco de esmerilado)
- D - Grinding wheel (meule, disco de esmerilado)
- E - Side handle (poignée latérale, mango lateral)
- F - Wrench storage (rangement de clé, compartimiento para guardar llave)
- G - Wrench (clé, llave)
- H - Cutting wheel guard (garde-meule à tronçonner, protección del disco de corte)
- I - Cutting wheel (tronçonneuse, disco de corte)

Fig. 1



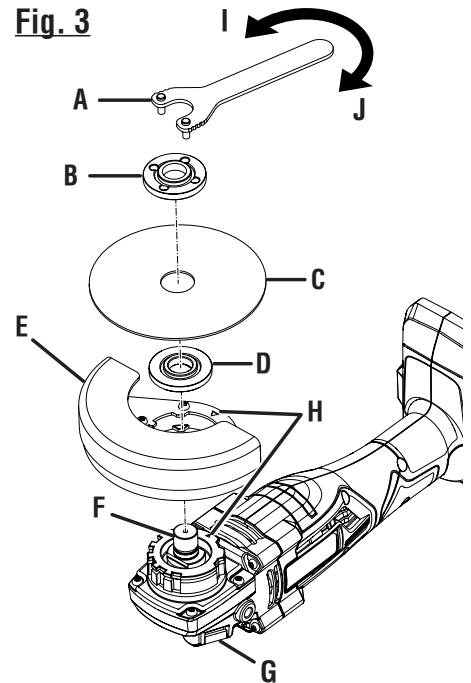
- A - Wrench (clé, llave)
- B - Clamp nut (écrou de serrage, tuerca de fijación)
- C - Grinding wheel (meule, disco de esmerilado)
- D - Disc flange (flasque de disque, brida del disco)
- E - Grinding wheel guard (garde-meule à meuler, protección del disco de esmerilado)
- F - Spindle (broche, husillo)
- G - Spindle lock (blocage de la broche, bloqueo del husillo)
- H - To loosen (pour desserrer, para aflojar)
- I - To tighten (pour serrer, para apretar)
- J - Index arrows (flèches, flechas)

Fig. 2



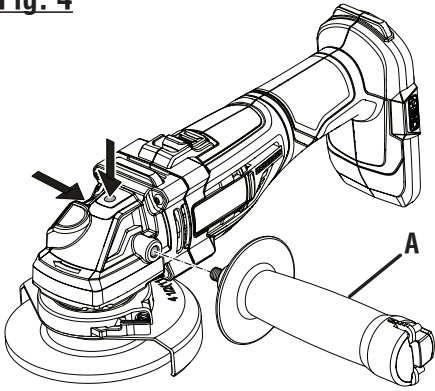
- A - Grinding wheel guard (garde-meule à meuler, protección del disco de esmerilado)
- B - Index arrows (flèches de référence, flechas del índice)
- C - Depress lever to rotate (appuyer sur le levier, oprima la palanca para girar pour faire tourner)

Fig. 3



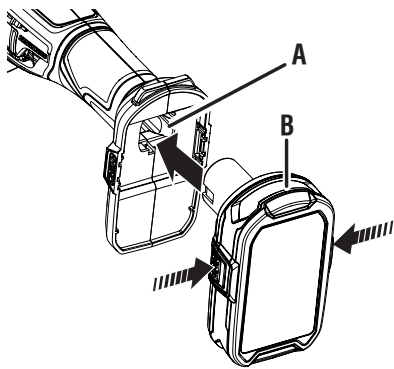
- A - Wrench (clé, llave)
- B - Clamp nut (écrou de serrage, tuerca de fijación)
- C - Cutting wheel (tronçonneuse, disco de corte)
- D - Disc flange (flasque de disque, brida del disco)
- E - Cutting wheel guard (garde-meule à tronçonner, protección del disco de corte)
- F - Spindle (broche, husillo)
- G - Spindle lock (blocage de la broche, bloqueo del husillo)
- H - Index arrows (flèches, flechas)
- I - To loosen (pour desserrer, para aflojar)
- J - To tighten (pour serrer, para apretar)

Fig. 4



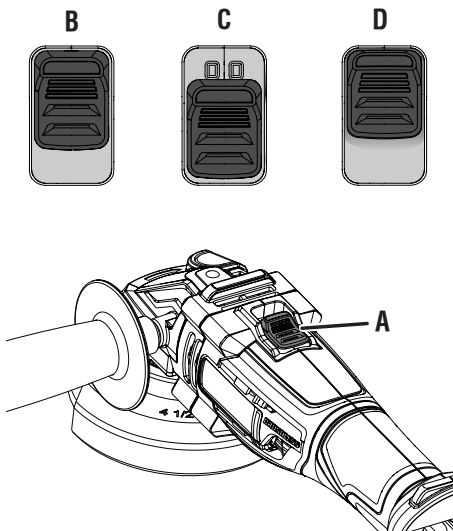
A - Side handle (poignée latérale, mango lateral)

Fig. 5



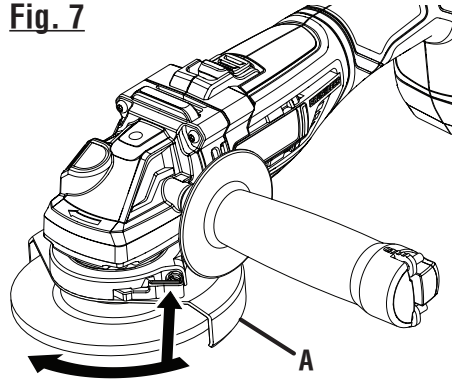
A - Battery port (logements des pile, puerto de batería)
B - Battery pack (bloc-pile, paquete de batería)

Fig. 6



A - On/off switch (interrupteur marche/arrêt, interruptor de encendido/apagado)
B - On (marche, encendido)
C - Off (arrêt, apagado)
D - Locked on (verrouillé en position de marche, bloqueado)

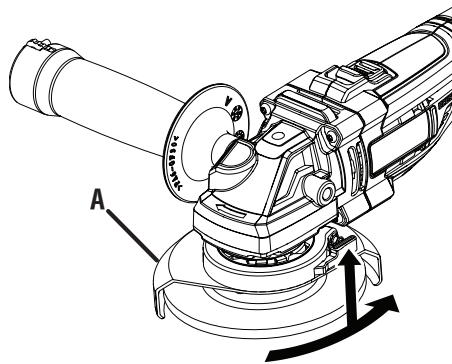
Fig. 7



**SIDE HANDLE ON LEFT SIDE OF GRINDER /
POIGNÉE À GAUCHE / MANGO EN EL LADO
IZQUIERDO DE LA AMOLADORA**

A - Grinding wheel guard (garde-meule à meuler, protección del disco de esmerilado)

Fig. 8



**SIDE HANDLE ON RIGHT SIDE OF GRINDER /
POIGNÉE À DROITE / MANGO EN EL LADO
DERECHO DE LA AMOLADORA**

A - Grinding wheel guard (garde-meule à meuler, protección del disco de esmerilado)

Fig. 9

**INCORRECT
INCORRECT / INCORRECTA**

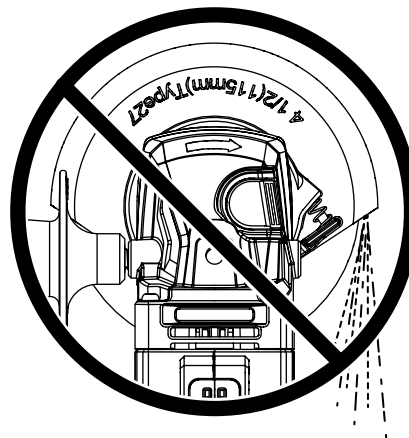
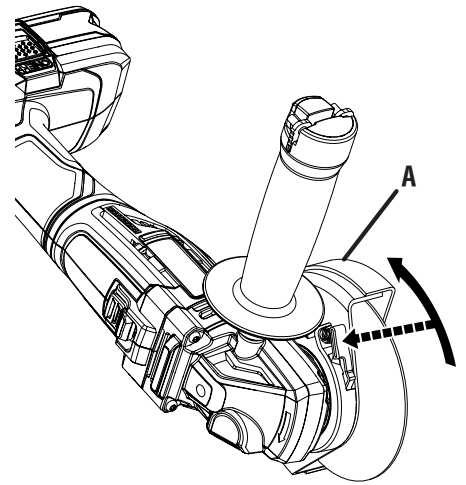


Fig. 10



**UNIT IN CUTTING POSITION /
APPAREIL EN POSITION DE COUPE/
UNIDAD EN LA POSICIÓN DE CORTE**

A - Cutting wheel guard (garde-meule à tronçonner, protección del disco de corte)

Fig. 11

**INCORRECT
INCORRECT / INCORRECTA**

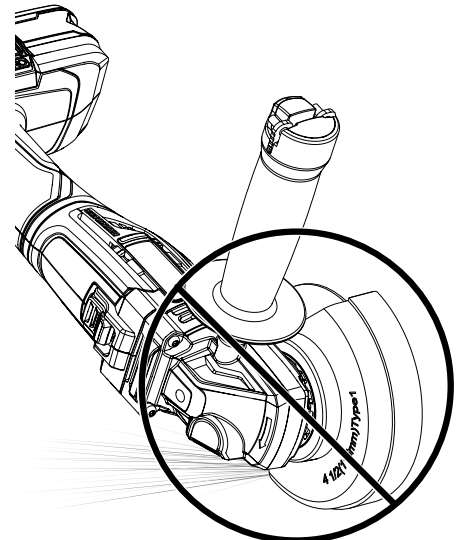
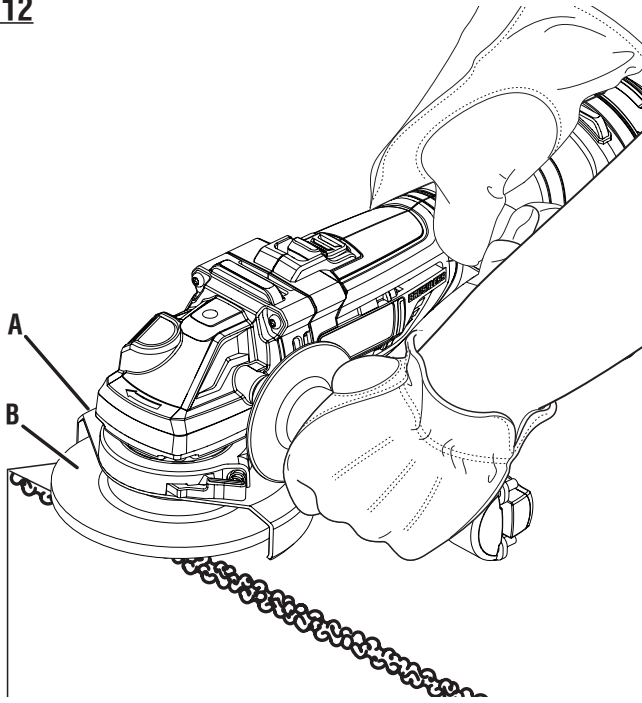
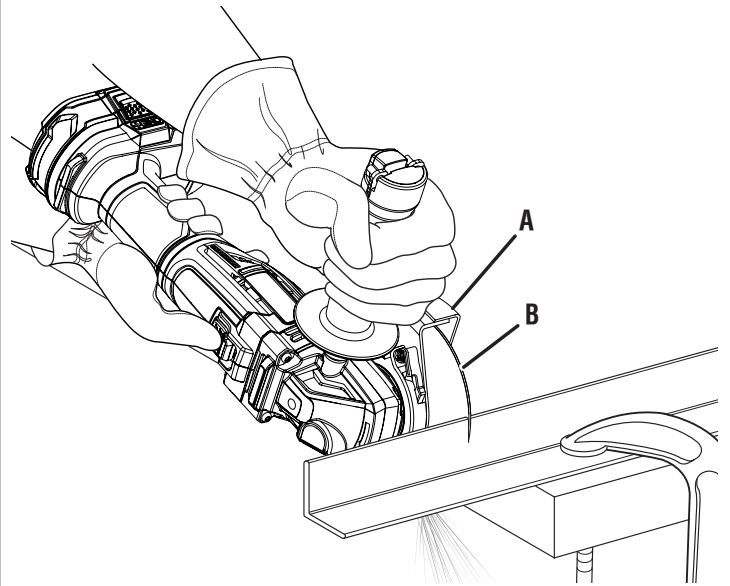


Fig. 12



A - Grinding wheel guard (garde-meule à meuler, protección del disco de esmerilado)
B - Grinding wheel (meule, disco de esmerilado)

Fig. 13



A - Cutting wheel guard (garde-meule à tronçonner, protección del disco de corte)
B - Cutting wheel (tronçonneuse, disco de corte)



OPERATOR'S MANUAL/18 V CUT-OFF TOOL/GRINDER
MANUEL D'UTILISATION/OUTIL À TRONÇONNER/MEULEUSE DE 18 V
MANUAL DEL OPERADOR/HERRAMIENTA DE CORTE/AMOLADORA DE 18 V
P423

To request service, purchase replacement parts,
locate an Authorized Service Center and obtain Customer or Technical Support:

Visit **www.ryobitools.com** or call **1-800-525-2579**

If any parts or accessories are damaged or missing,
do not return this product to the store. Call **1-800-525-2579** for immediate service.

Please obtain your model and serial number from the product data plate.
This product is covered under a 3-year limited Warranty. Proof of purchase is required.

MODEL NUMBER _____ SERIAL NUMBER _____

RYOBI is a registered trademark of Ryobi Limited and is used pursuant to a license granted by Ryobi Limited.

Pour faire une demande de réparations ou obtenir des pièces de rechange, trouver un
Centre de réparations agréé pour obtenir un soutien technique ou le Service à la clientèle :

Visiter **www.ryobitools.com** ou en téléphonant au **1-800-525-2579**

Si des pièces ou accessoires sont manquantes ou endommagées, ne pas retourner
ce produit au magasin. Appeler immédiatement au **1-800-525-2579** pour obtenir de l'aide.

Inscrire les numéros de modèle et de série inscrits sur la plaque d'identification du produit.
Ce produit est couvert par une garantie limitée de trois (3) ans. Une preuve d'achat est exigée.

NUMÉRO DE MODÈLE _____ NUMÉRO DE SÉRIE _____

RYOBI is a registered trademark of Ryobi Limited and is used pursuant to a license granted by Ryobi Limited.

Para obtener servicio, comprar piezas de repuesto, localizar un centro de servicio autorizado
y obtener Servicio o Asistencia Técnica al Consumidor:

Visite **www.ryobitools.com** (en la EE.UU.) o **www.ryobitools.mx** (en México)
o llame al **1-800-525-2579** (en la EE.UU.) o **01-800-843-1111** (en México).

Si hay alguna pieza o accesorios dañada o faltante, no devuelva este producto a la tienda.
Llame al **1-800-525-2579** (en la EE.UU.) o **01-800-843-1111** (en México) para servicio técnico inmediato.

Obtenga su modelo y número de serie de la placa de datos del producto.
Este producto está cubierto con una garantía limitada de 3 años. Se solicita prueba de la compra.

NÚMERO DE MODELO _____ NÚMERO DE SERIE _____

RYOBI is a registered trademark of Ryobi Limited and is used pursuant to a license granted by Ryobi Limited.

ONE WORLD TECHNOLOGIES, INC.

1428 Pearman Dairy Road, Anderson, SC 29625 • Phone 1-800-525-2579
États-Unis, Téléphone 1-800-525-2579 • USA, Teléfono 1-800-525-2579

www.ryobitools.com