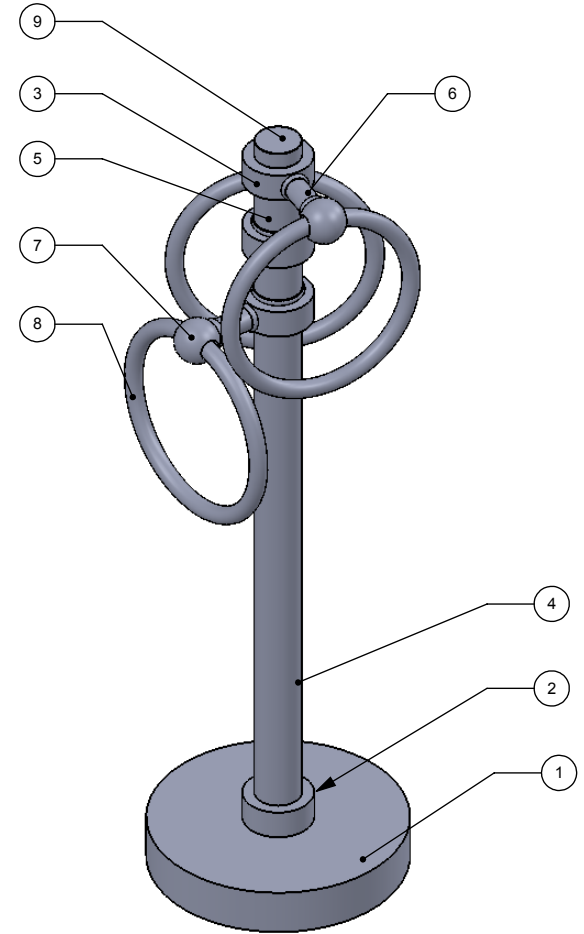
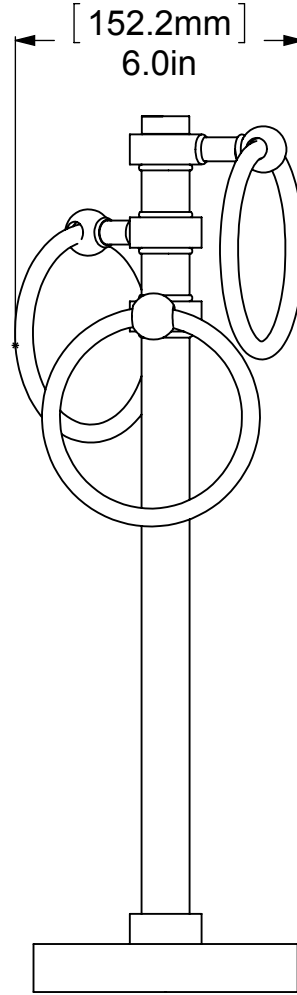
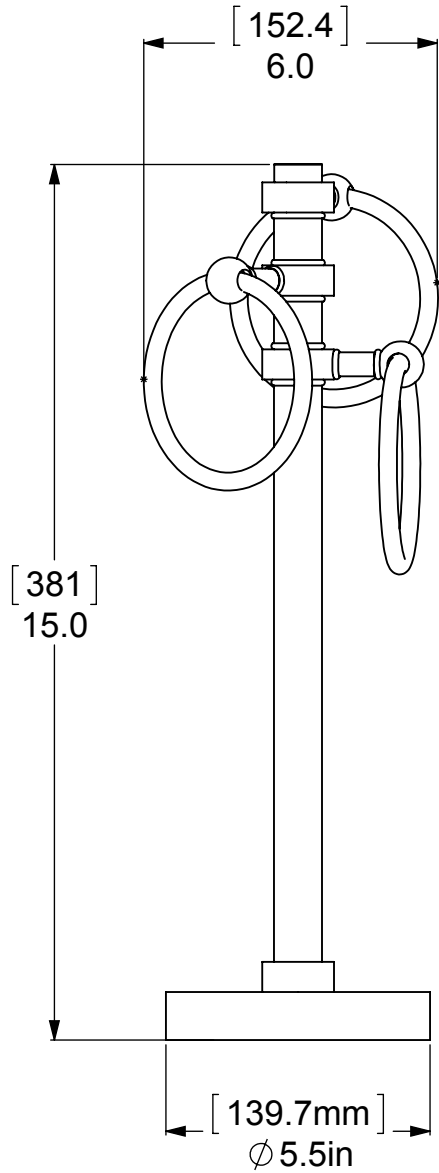


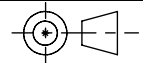
ITEM NO.	P/N	Description	QTY.
1	BSRD-5.5	BASE	1
2	RGSM	HUB-BASE	1
3	RGSMT	HUB-SUPPORT	3
4	TU1-9	TUBE BASE	1
5	TU1-1	TUBE-DIV	2
6	TU12-.75	ARM TUBE	3
7	BLTSR-1	ARM BALL	3
8	TRMT-4	RING	3
9	CARD-1	TOP CAP	1



UNLESS OTHERWISE STATED

.X	$\pm .3\text{mm}$
.XX	$\pm .15\text{mm}$
.XXX	$\pm .008\text{mm}$

COPYRIGHT © Allied Brass 2017



THIRD ANGLE PROJECTION

DRAWN	7/2/2017	I.M
CHECKED	7/2/2017	P.D
APPROVED	7/2/2017	R.A

MATERIAL:	BRASS		FINISH	TBD
DESCRIPTION:	<b>Vanity Top 3 Towel Ring Guest Towel Holder</b> 		QUANTITY	TBD
			DRAWING No.	REV
			983	0
SCALE	1:4	SHEET: 01	A4	