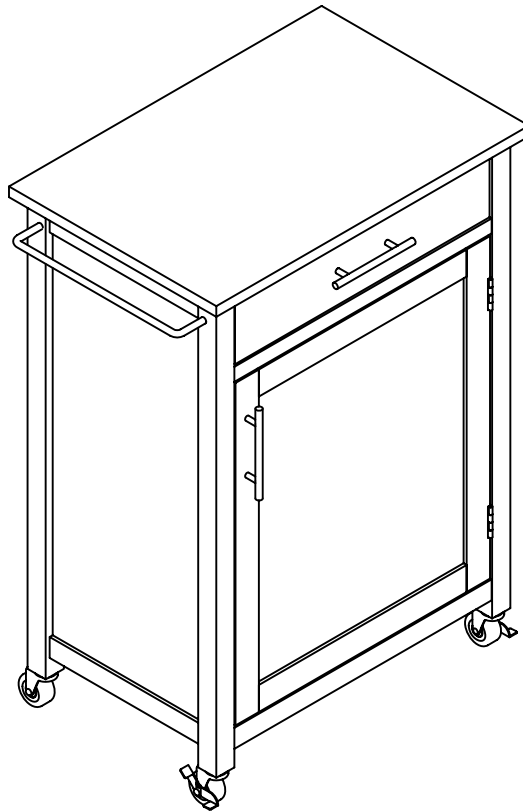


GLENVILLE

Item # 1002945992
Model #SK17787Cr2-BBW
Item # 1002945994
Model #SK17787Cr2-BBB
Item # 1002945988
Model #SK17787Cr2-BBG

USE AND CARE GUIDE

SINGLE KITCHEN CART



**Questions, problems, missing parts? Before returning
to the store, call Home Depot
Customer Service 1-800-466-3337
8 a.m. – 7 p.m., EST, Monday – Friday, 9 a.m. – 6 p.m., EST, Saturday**

HOMEDEPOT.COM

THANK YOU

We appreciate the trust and confidence you have placed in Home Depot through the purchase of this SINGLE KITCHEN CART. We strive to continually create quality products designed to enhance your home. Visit us online to see our full line of products available for your home improvement needs. Thank you for choosing Home Decorators Collection!

Table of Contents

Table of Contents.....	2	Tools required.....	3
Safety Information.....	2	Hardware Included	3
Warranty.....	2	Package Contents.....	4
What is Covered	2	Installation	5
What is Not Covered.....	2	Operation.....	6
Pre-installation	3		
Planning Installation	3		

Safety Information

DANGER

- Keep small parts away from children during assembly
- Read and follow instructions carefully

WARNING

- Product not intended for use by children under 12.
- Do not exceed 20 pounds per drawer
- Do not exceed Unit maximum load of 50 pounds
- Do not step, stand, or climb on unit
- Always lock castors when unit is stationary
- Add child safety devices if small children live or frequently visit your home
- Open only one drawer or compartment at a time

CAUTION

- Place heavy objects on the lowest shelf.
- Push mobile units in long direct.
- Inspect castors regularly, if damaged or severely worn, replace castors.
- Units filled with more weight are harder to move and control.
- Electrical items cords should be removed from outlets and secured before moving your cart.
- Use caution when moving over surfaces with bumps, example, transitioning between different flooring surfaces.

Warranty

1 YEAR WARRANTY

WHAT IS COVERED

We warrant the Kitchen Cart to be free of manufacturing defects to the original purchaser for one year.

WHAT IS NOT COVERED

It remains the customer's responsibility for freight and packaging charges to and from our service center. This warranty does not cover commercial use, hardware, acts of nature, fire, freezing and abusive use. In addition, purchased parts are not covered under this warranty. We reserve the right to make substitutions with similar merchandise, if the model in question is no longer in production.

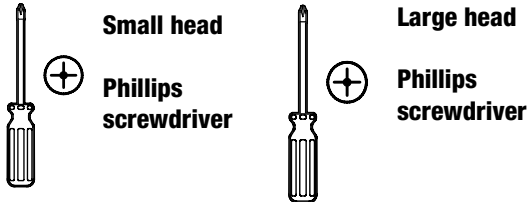
Contact the Customer Service Team at 1-800-466-3337 or visit www.HomeDepot.com.

Pre-installation


PLANNING INSTALLATION

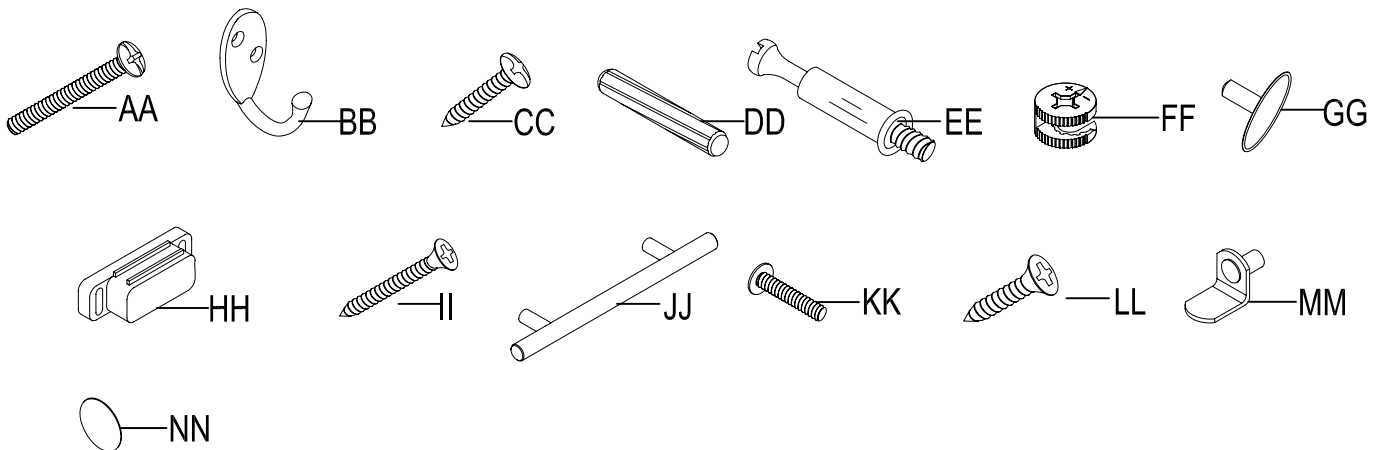
Keep children and pets away from build area, make sure your area is large enough to unpack, sort and assemble the unit.

TOOLS REQUIRED



HARDWARE INCLUDED

 NOTE: Hardware not shown to actual size.

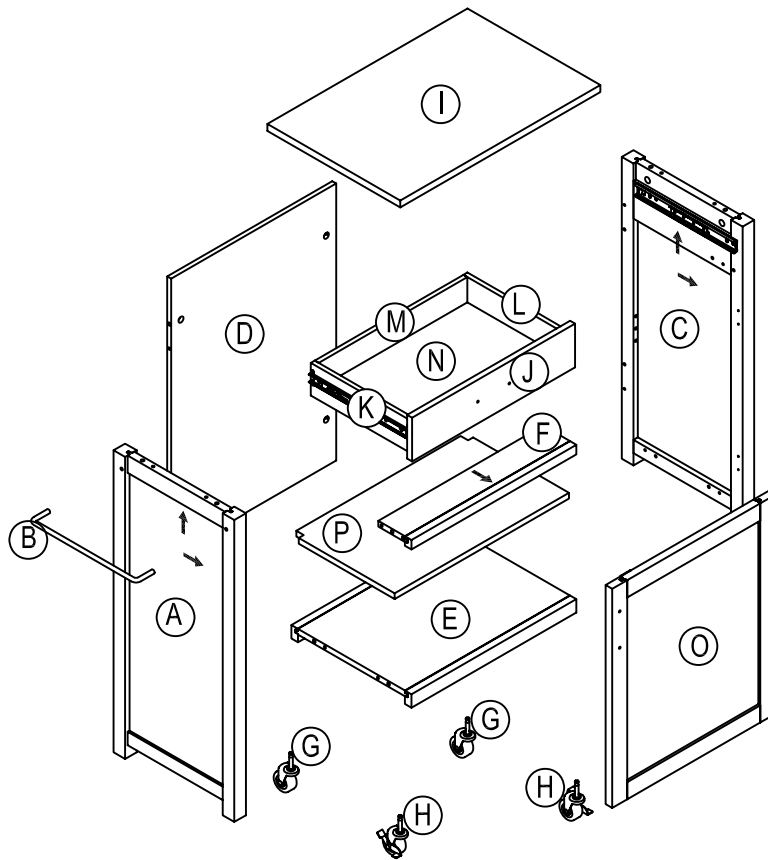


Part	Description	Quantity
AA	1-1/2 in. bolt	2
BB	Single hook	2
CC	5/8 in. Round head screw	6
DD	Wood dowel	16
EE	Cam lock bolt	14
FF	Cam lock	14
GG	Plastic cover	4
HH	Magnet	1

Part	Description	Quantity
II	1 in. Flat head screw	8
JJ	Handle	2
KK	Handle bolt	4
LL	1/2 in. Flat head screw	4
MM	Shelf support	4
NN	PVC sticker	2

Pre-installation (continued)

PACKAGE CONTENTS

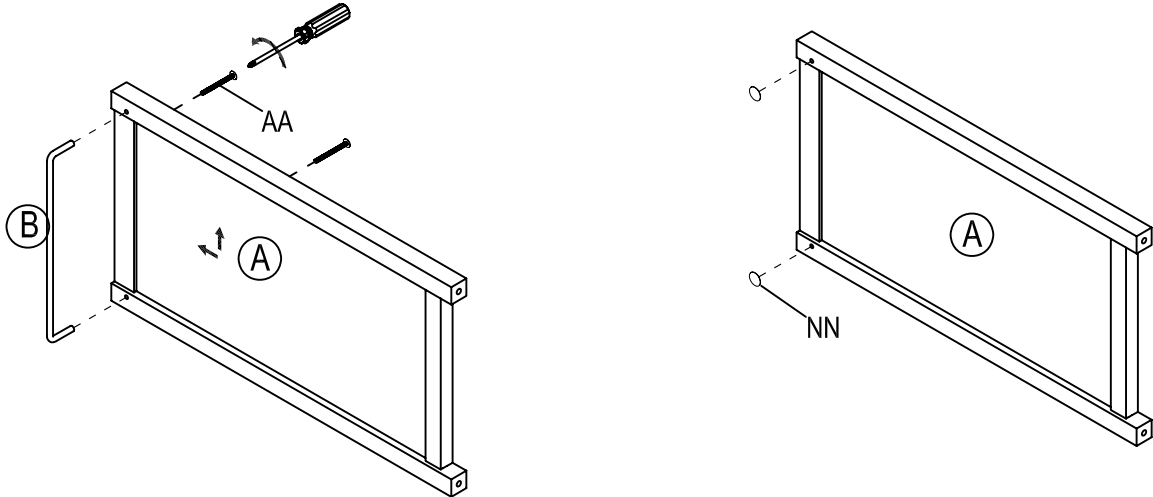


Part	Description	Quantity
A	Left side frame	1
B	Metal towel bar	1
C	Right side frame	1
D	Back panel	1
E	Bottom panel	1
F	Cross brace	1
G	Universal wheel	2
H	Universal wheel with brake	2
I	Top panel	1
J	Drawer front panel	1
K	Drawer left side panel	1
L	Drawer right side panel	1
M	Drawer back panel	1
N	Drawer bottom panel	1
O	Door	1
P	Adjustable shelf	1

Installation

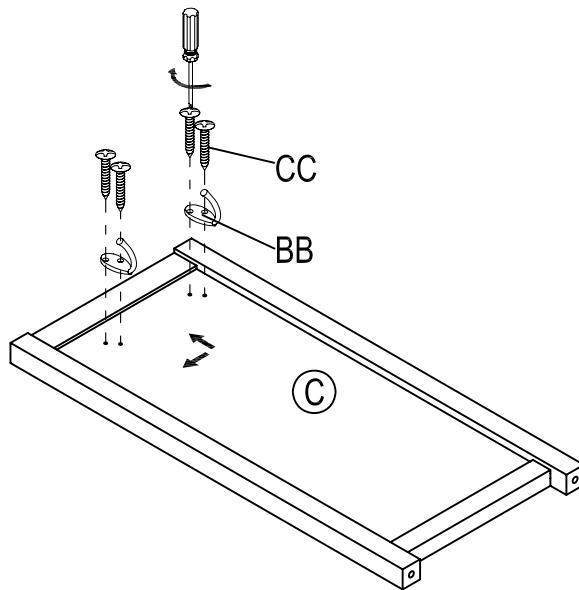
1 Attaching the metal towel bar and hook

- a) Attach bar (B) to frame (A) with bolt (AA).

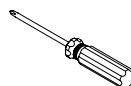


If you choose not to have the function of the towel bar, please use the **PVC sticker(NN)** provided in hardware pack to cover the hole.

- b) Attach hook (BB) to frame (C) with screw (CC) as shown.



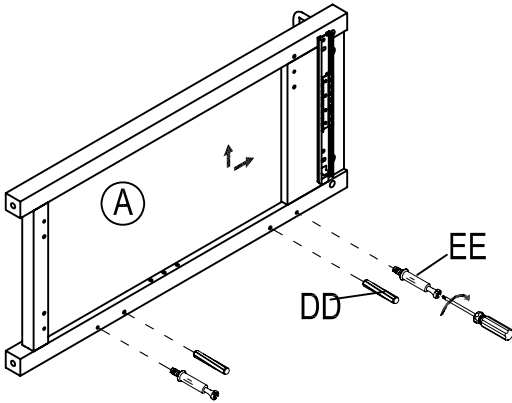
1-1/2 in. Bolt (AA) x 2 Single hook (BB) x 2 5/8 in. Round head screw (CC) x 4 PVC sticker (NN) x 2 Small head



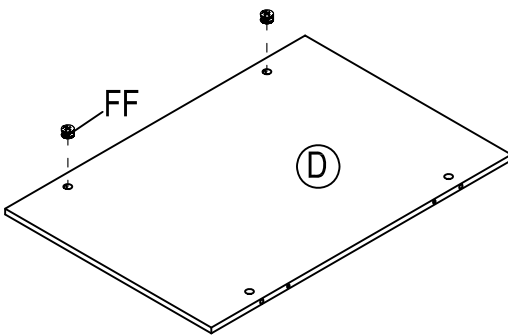
Operation

2 Attaching the back panel to the left side frame

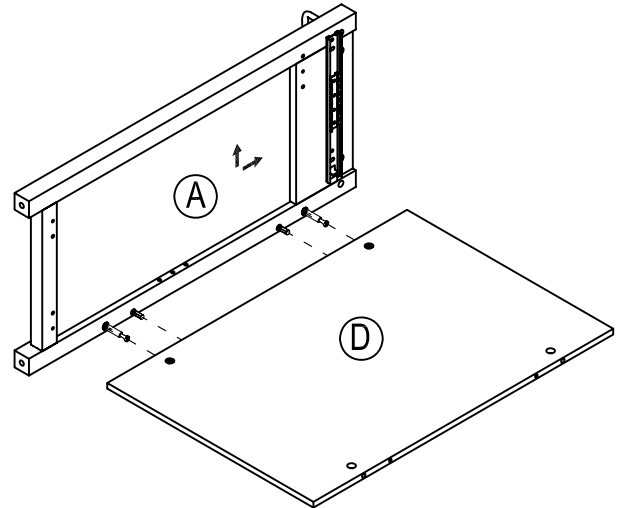
- **a) Install dowel (DD) and bolt (EE) into frame (A).**



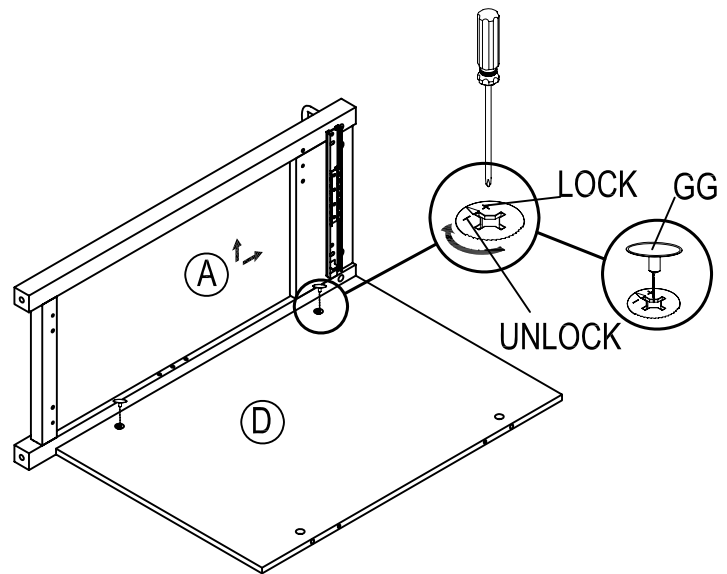
- **b) Insert lock (FF) into panel (D).**



- **c) Join panel (D) to frame (A) with dowel (DD) first.**



- **d) Tighten bolt (EE) with lock (FF) in the pre-drilled holes.**



- **e) Cover the cam holes with cover (GG).**

Wood dowel

Cam lock bolt

Cam lock

Plastic cover

Small head

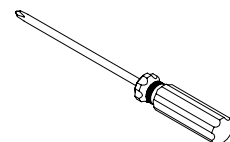
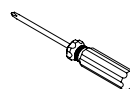
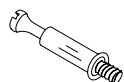
Large head

(DD) x 2

(EE) x 2

(FF) x 2

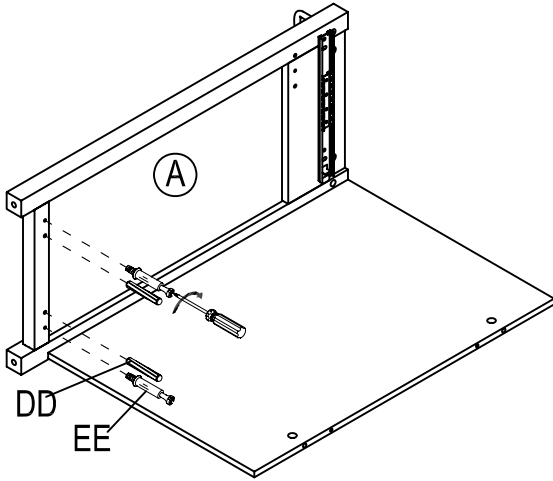
(GG) x 2



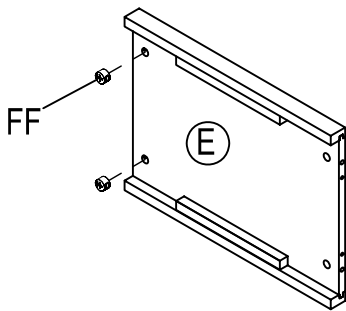
Operation

3 Attaching the bottom panel

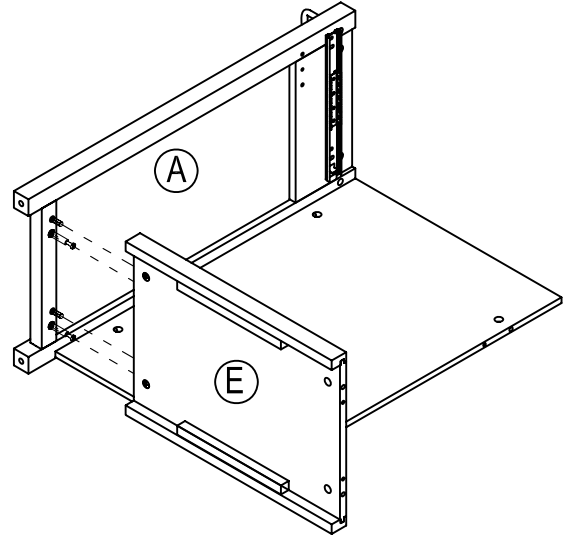
- a) Install dowel (DD) and bolt (EE) into frame (A).



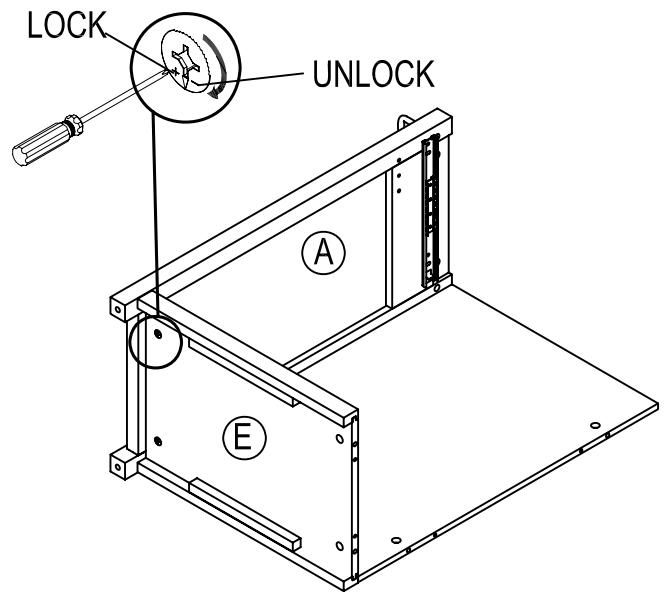
- b) Insert lock (FF) into panel (E).



- c) Join panel (E) to frame (A) with dowel (DD) first.



- d) Tighten bolt (EE) with lock (FF) in the pre-drilled holes.



Wood dowel

Cam lock bolt

Cam lock

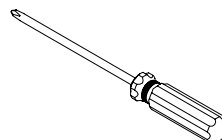
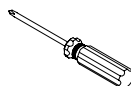
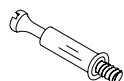
Small head

Large head

(DD) x 2

(EE) x 2

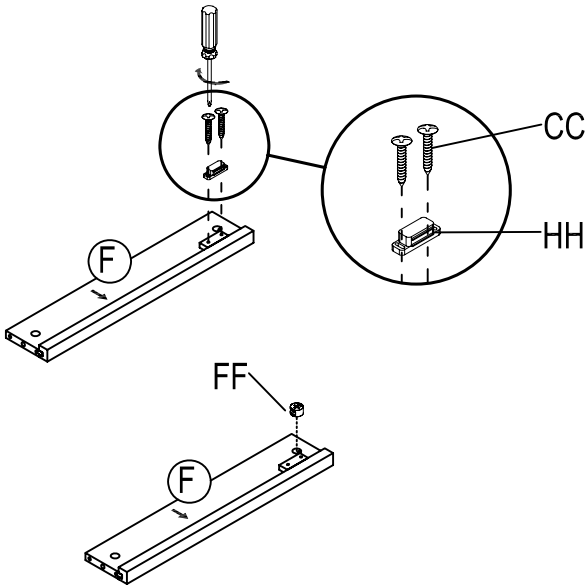
(FF) x 2



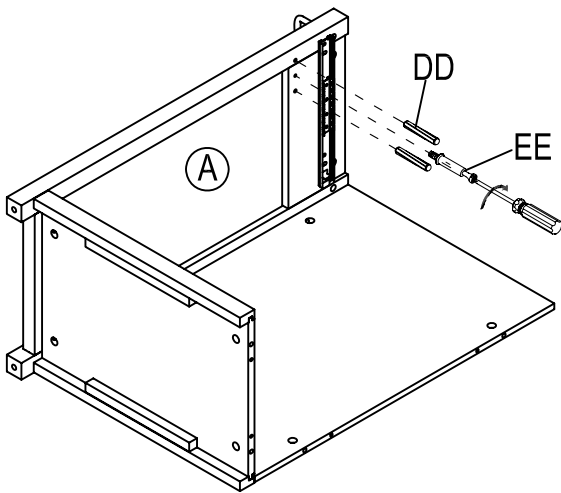
Operation

4 Attaching the magnet and cross brace

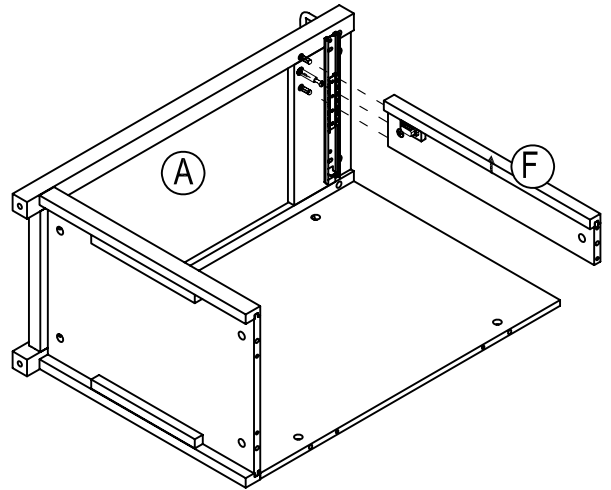
- a) Attach magnet (HH) to brace (F) with screw (CC).
- Insert lock (FF) into brace (F).



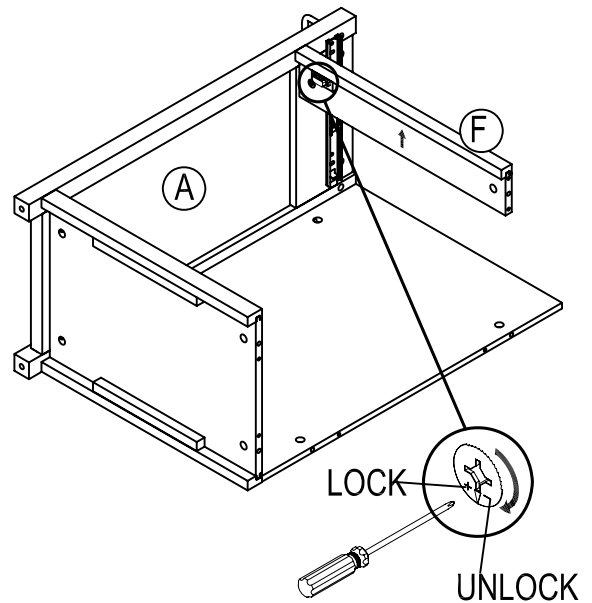
- b) Install dowel (DD) and bolt (EE) into frame (A).



- c) Join brace (F) to frame (A) with dowel (DD) first.



- d) Tighten bolt (EE) with lock (FF) in the pre-drilled holes.



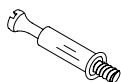
5/8 in. Round head screw (CC) x 2



Wood dowel (DD) x 2



Cam lock bolt (EE) x 1



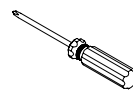
Cam lock (FF) x 1



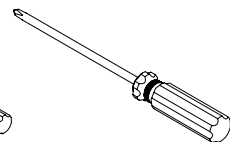
Magnet (HH) x 1



Small head



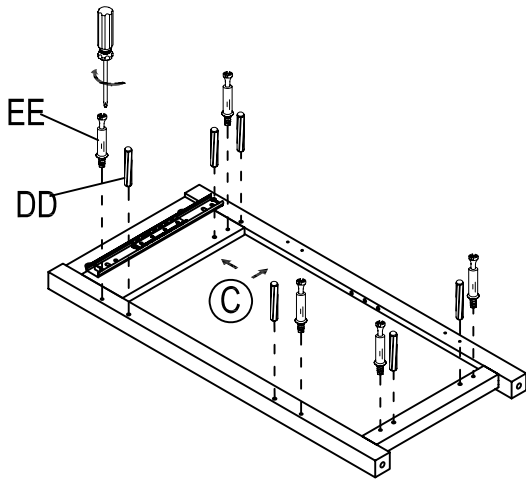
Large head



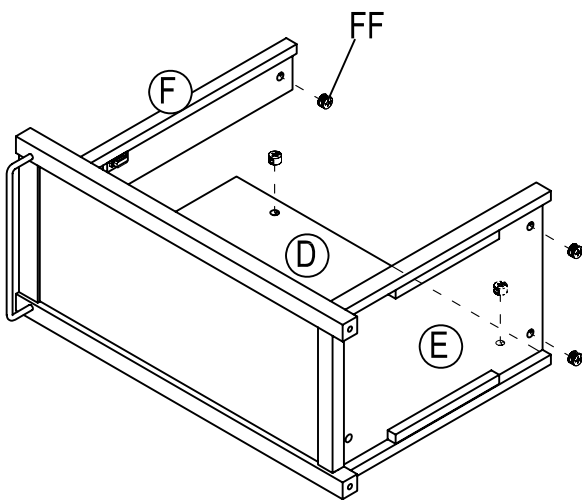
Operation

5 Attaching the right side frame

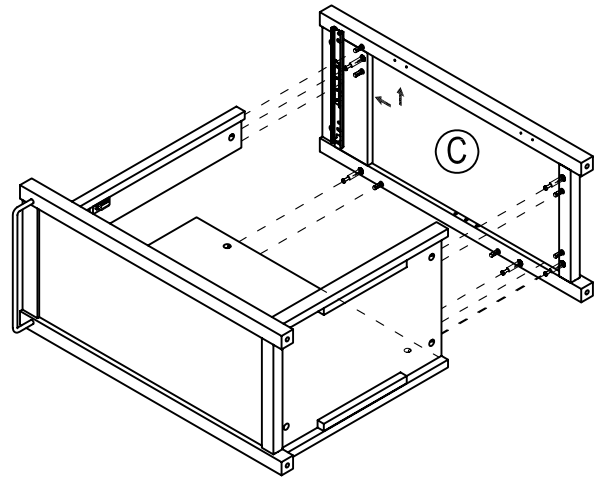
- **a) Install dowel (DD) and bolt (EE) into frame (C).**



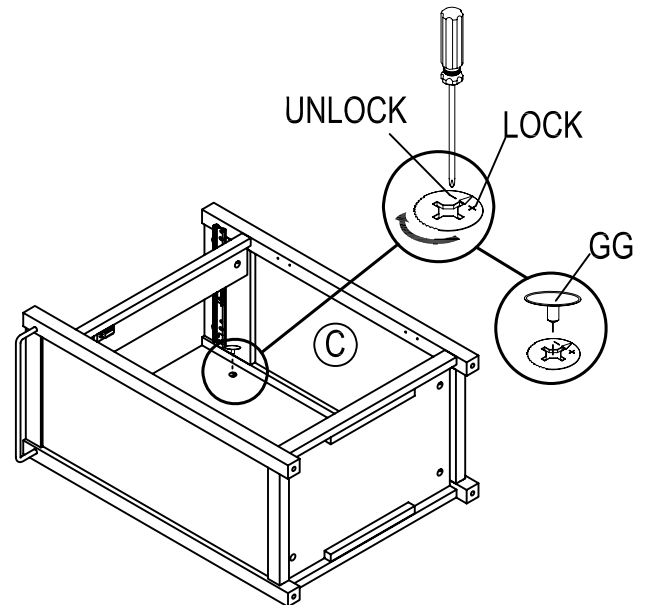
- **b) Insert lock (FF) into panel (E), (D), (F).**



- **c) Join frame (C) to the assembled body with dowel (DD).**



- **d) Tighten bolt (EE) with lock (FF) in the pre-drilled holes.**



- **e) Cover the cam holes with cover (GG).**

Wood dowel

Cam lock bolt

Cam lock

Plastic cover

Small head

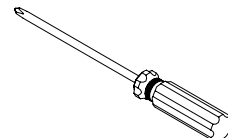
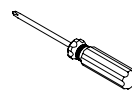
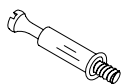
Large head

(DD) x 6

(EE) x 5

(FF) x 5

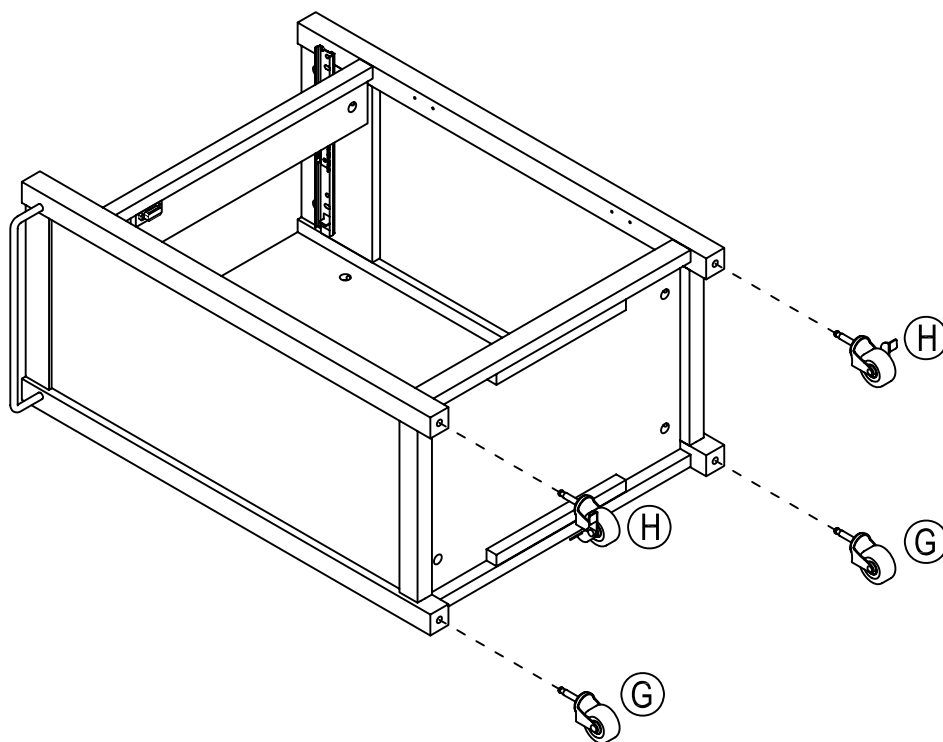
(GG) x 2



Operation

6 Attaching the universal wheel

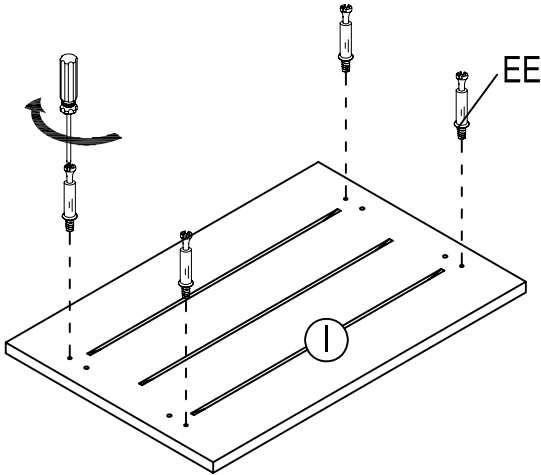
- Insert wheel (G) and (H) into frame (A) and (C) as shown.



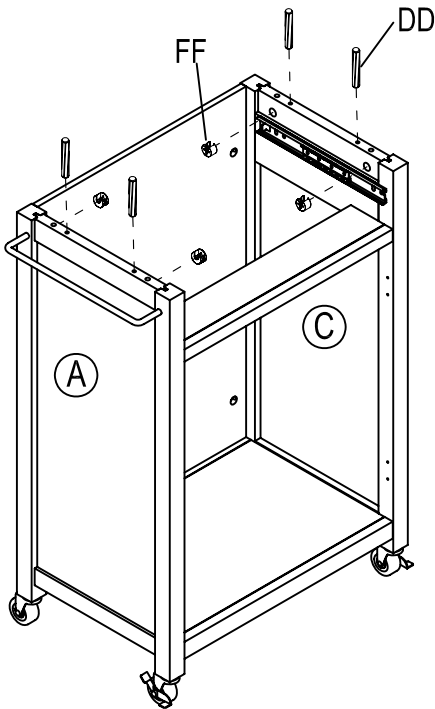
Operation

7 Attaching the top panel

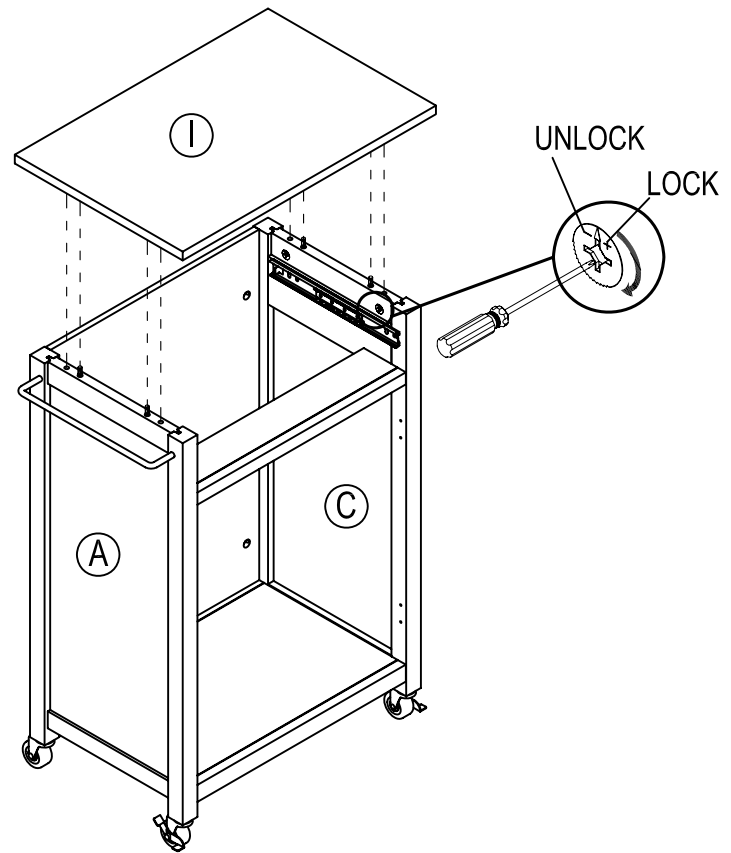
- **a) Install bolt (EE) into panel (I).**



- **b) Insert dowel (DD) and lock (FF) into frame (A) and (C).**



- **c) Join panel (I) to assembled body with dowel (DD) first.**



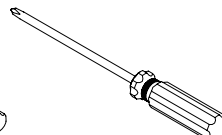
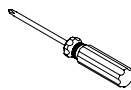
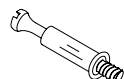
- **d) Tighten bolt (EE) with lock (FF) in the pre-drilled holes.**

Wood dowel Cam lock bolt Cam lock Small head Large head

(DD) x 4

(EE) x 4

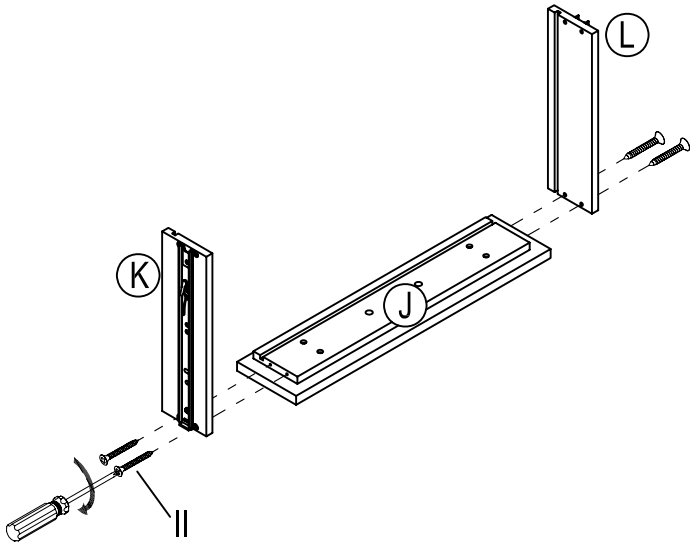
(FF) x 4



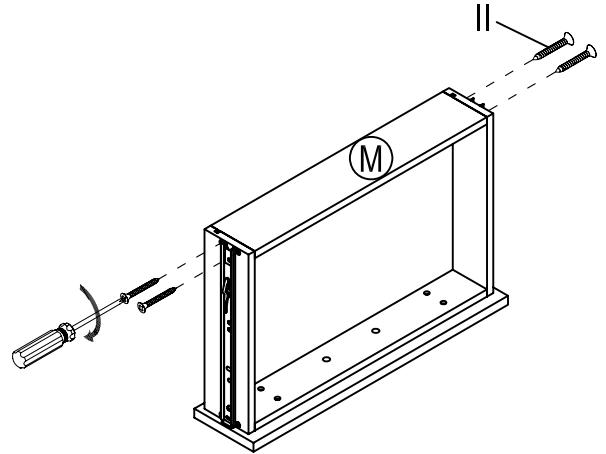
Operation

8 Assembling the drawer

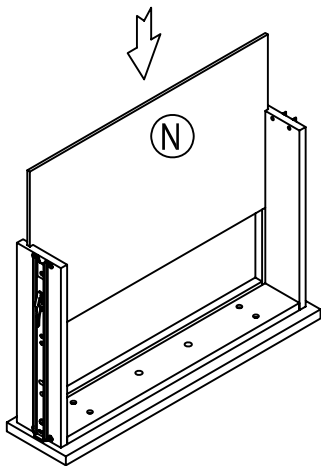
- **a)** Tighten panel (K) and (L) to panel (J) with screw (II).



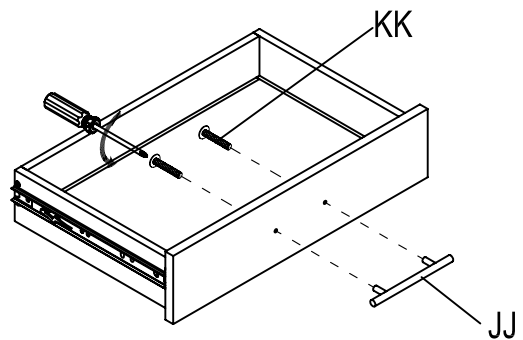
- **c)** Tighten panel (M) to the assembled body with screw (II).



- **b)** Slide panel (N) into the grooves on panel (K) and (L).



- **d)** Tighten handle (JJ) to panel (J) with bolt (KK).



1 in. Flat head screw

Handle

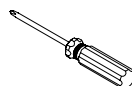
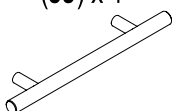
Handle bolt

Small head

(II) x 8

(JJ) x 1

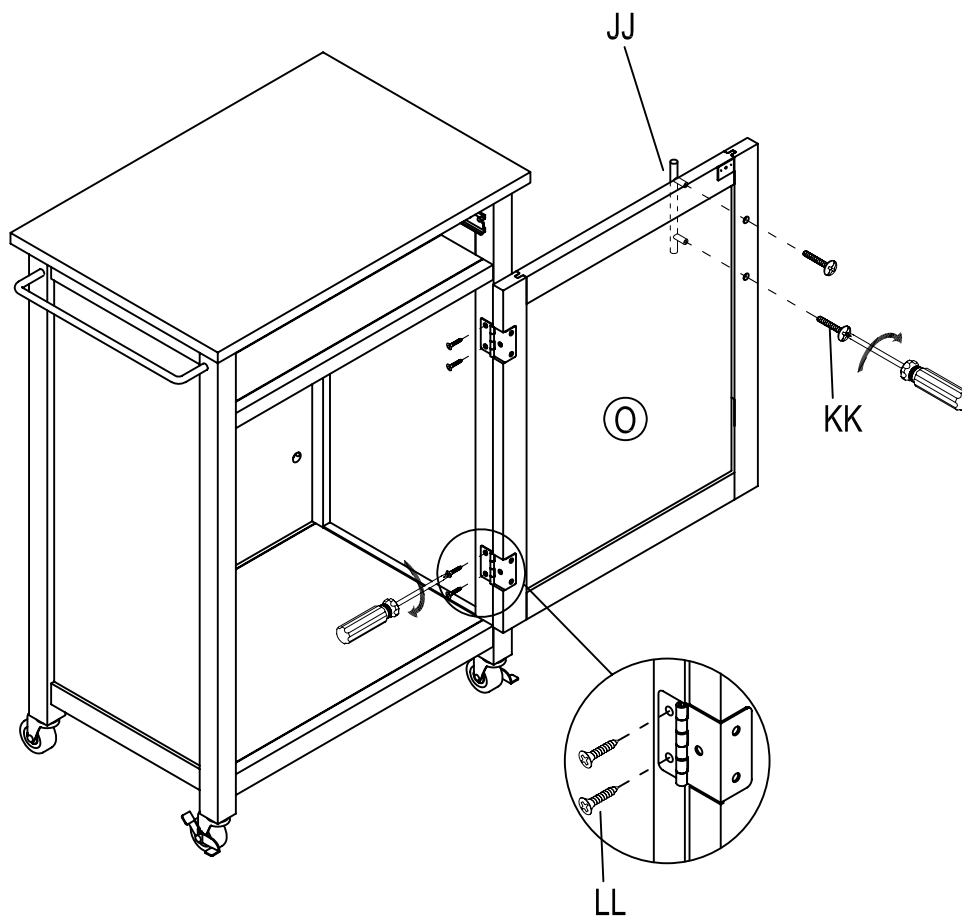
(KK) x 2



Operation

9 Assembling the door

- Attach door (O) to the assembled body with screw (LL) as shown.
- Attach handle (JJ) to door (O) with bolt (KK).



Note: Handle the door in position with assistance from a helper could better install the door.

Handle

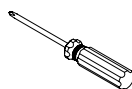
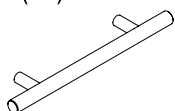
Handle bolt

1/2 in. Flat
head screw
(LL) x 4

Small head

(JJ) x 1

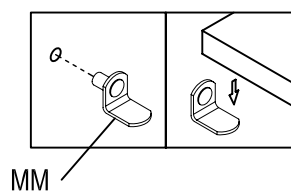
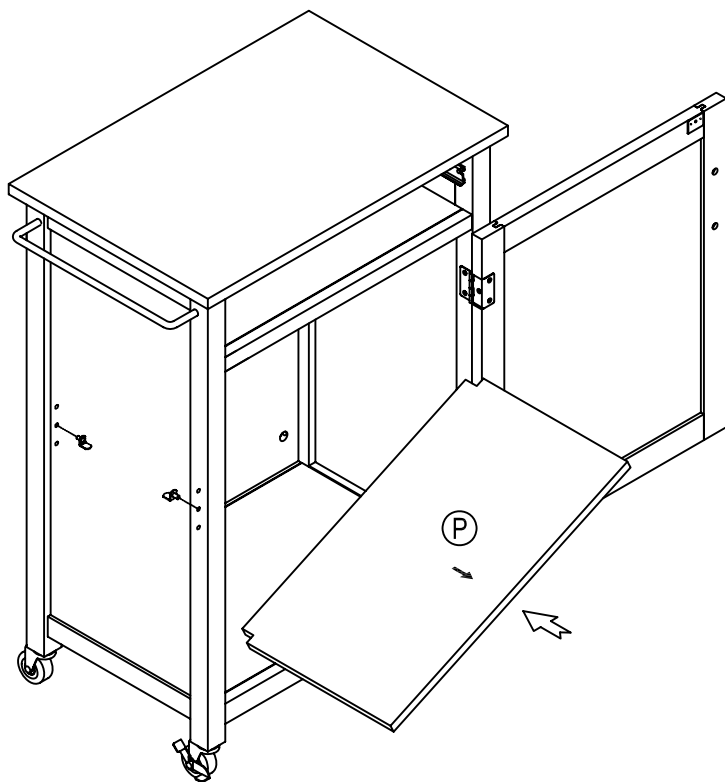
(KK) x 2



Operation

10 Attaching the adjustable shelf

- Insert the shelf support (MM) in the desired position and then place shelf (P) on the supports.



Shelf support

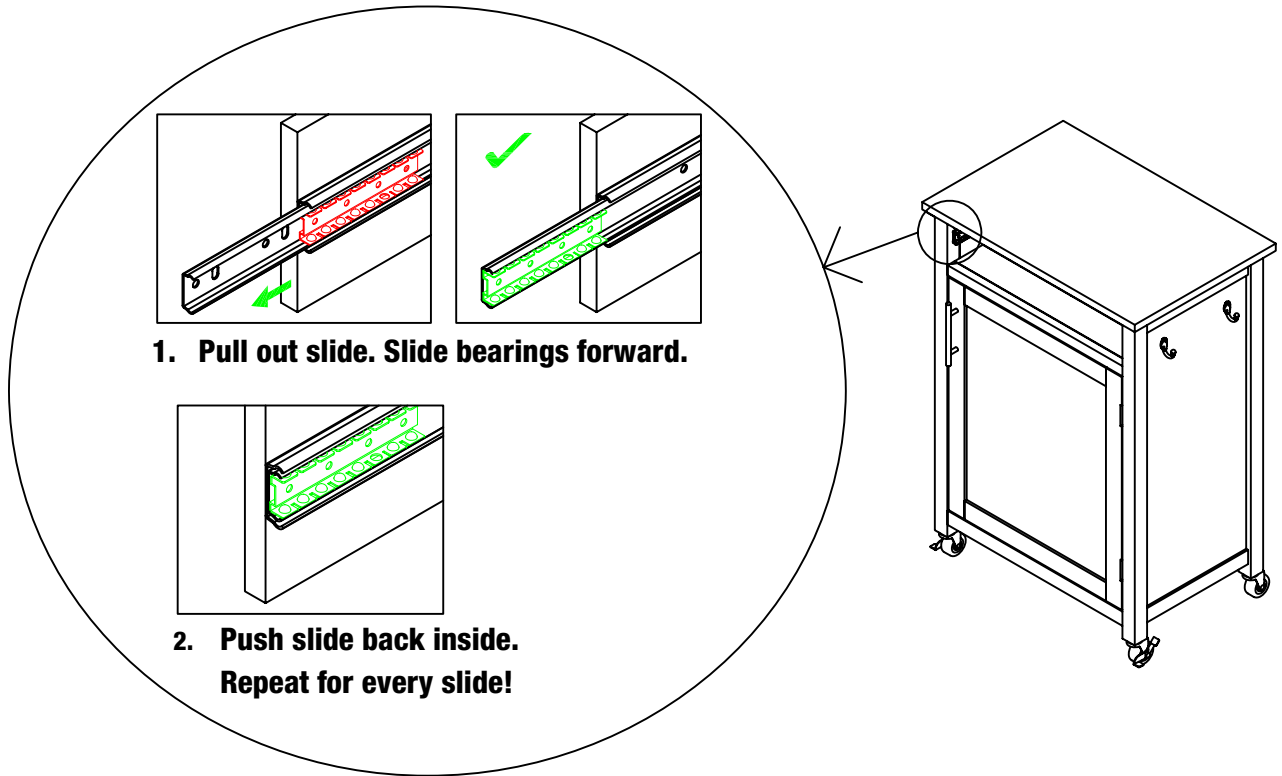
(MM) x 4



Operation

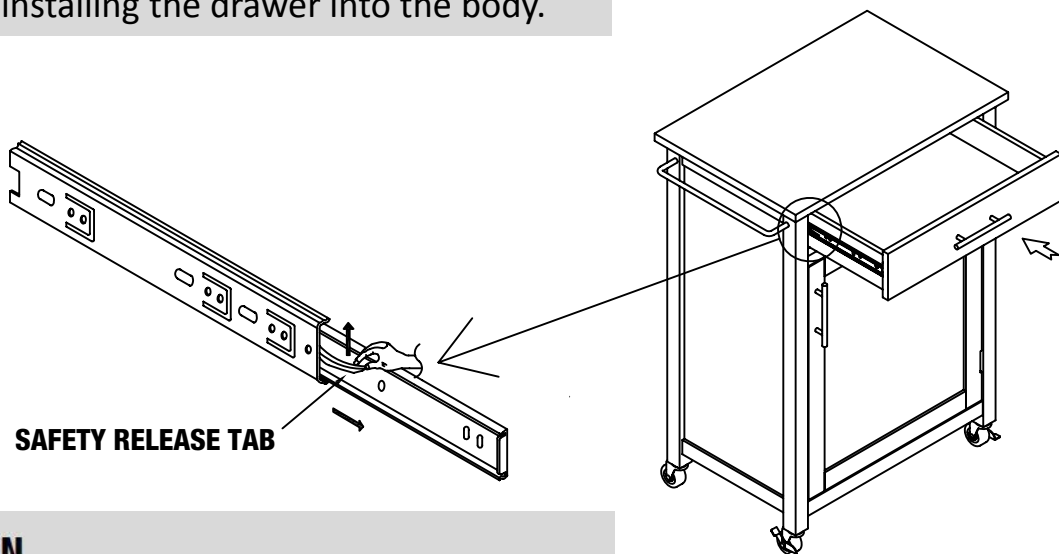
11 Finalizing the assembly

- Insert the drawer into the assembled body as shown.



CAUTION

Make sure the slide piece is at the front end of the glide when installing the drawer into the body.



CAUTION

When removing the drawer, tip-up the safety release tab to remove the drawer from the body.

**Questions, problems, missing parts? Before returning
to the store, call Home Depot
Customer Service 1-800-466-3337
8 a.m. – 7 p.m., EST, Monday – Friday, 9 a.m. – 6 p.m., EST, Saturday**

HOMEDEPOT.COM

Retain this manual for future use.