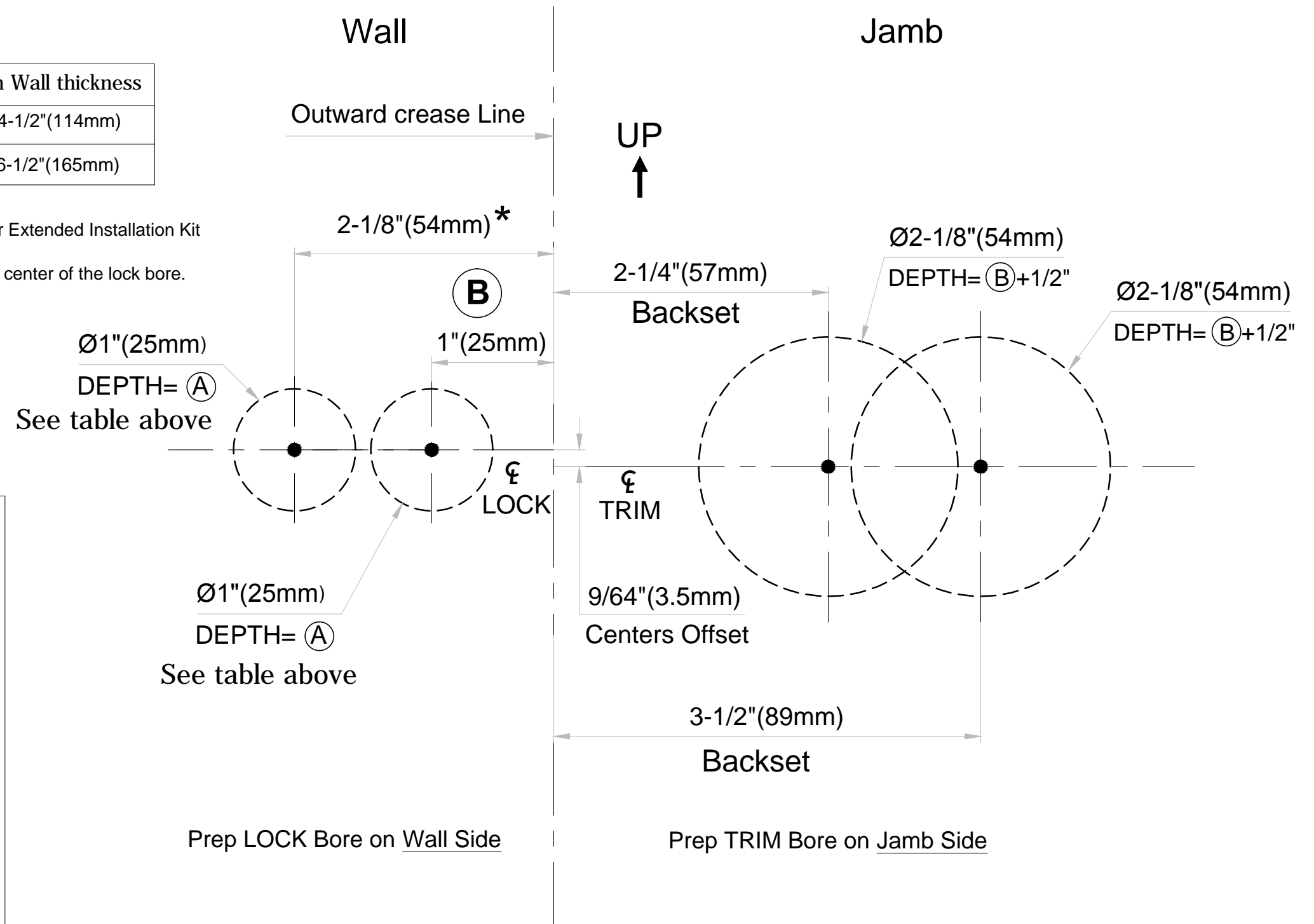
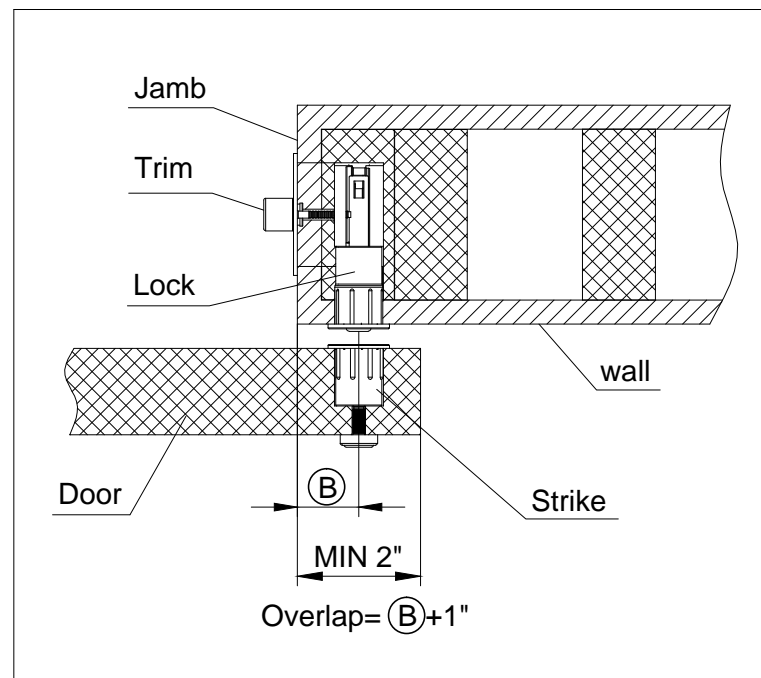


# Template for BD4000 Series Barn Door Locks

PO	Backset	Ⓐ	Min Wall thickness
BD4214	2-1/4"(57mm)	3-1/2"(89mm)	4-1/2"(114mm)
BD4312	3-1/2"(89mm)	4-3/4"(121mm)	6-1/2"(165mm)

\* For wall to lock center distance greater than 2-1/8", order Extended Installation Kit

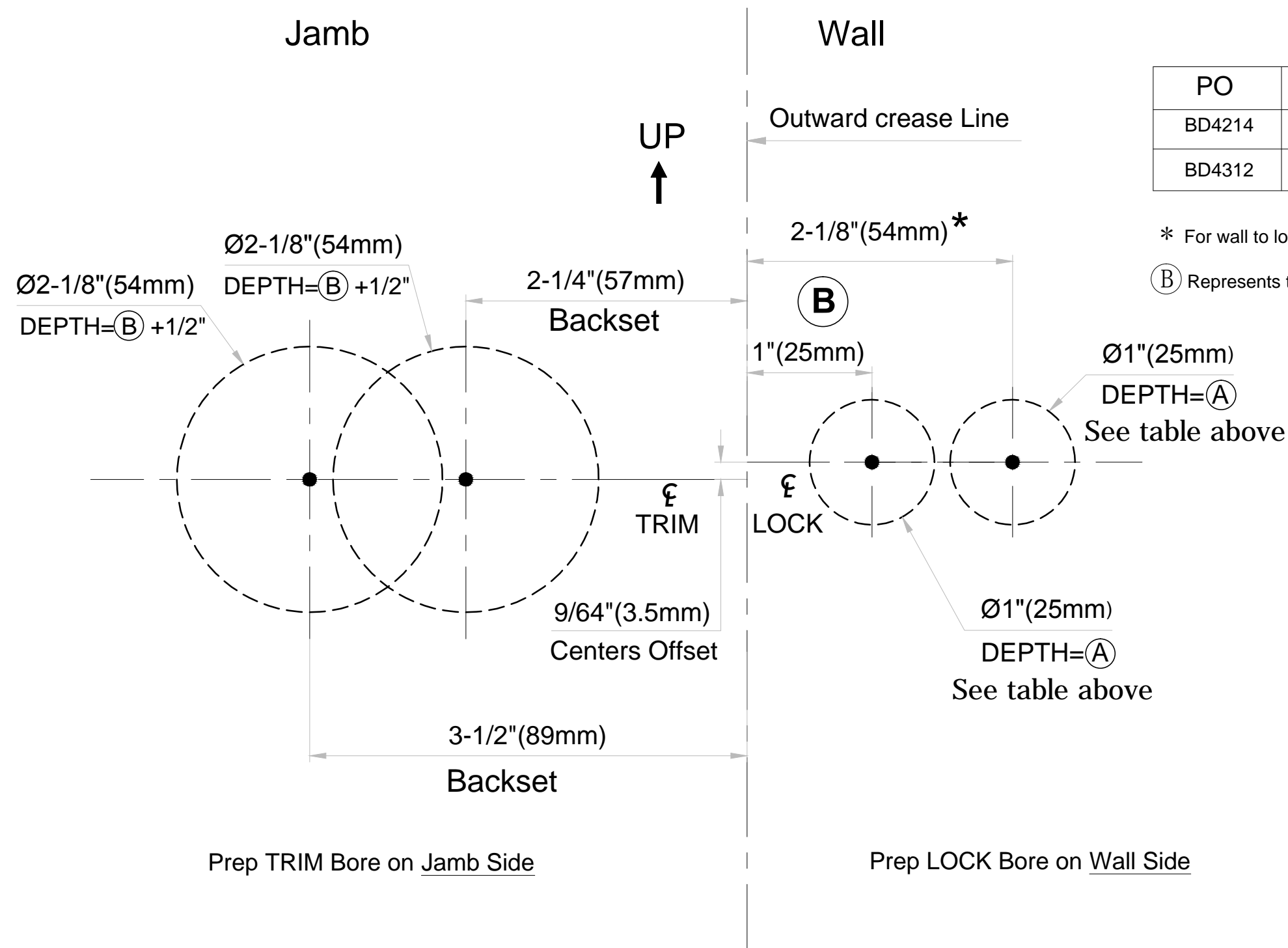
Ⓑ Represents the distance from the edge of the wall to the center of the lock bore.



FOR OPPOSITE HAND  
PLEASE SEE REVERSE SIDE

Template Dimensions do NOT provide allowances for gaps between wall studs and drywall.  
Refer to installation instructions for more details.

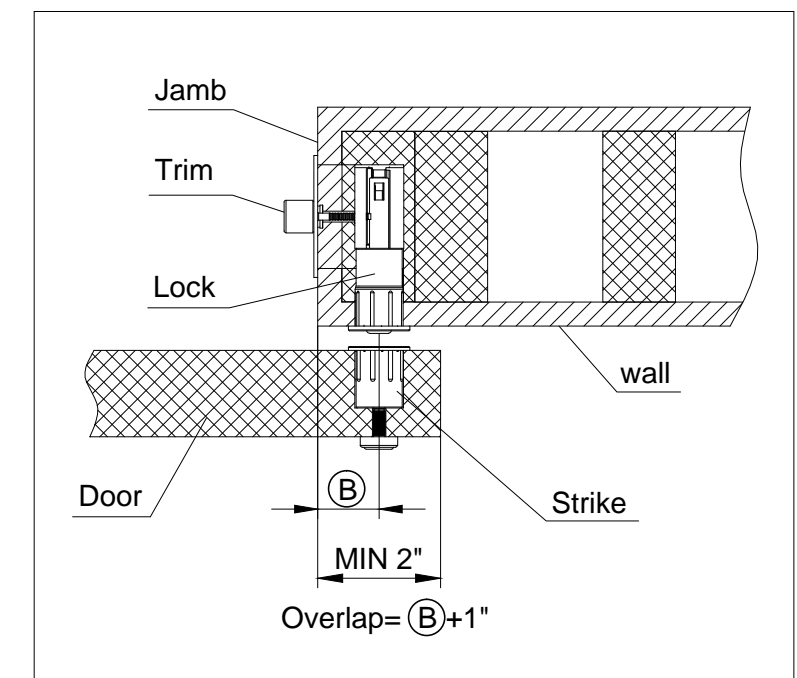
# Template for BD4000 Series Barn Door Locks



PO	Backset	(A)	Min Wall thickness
BD4214	2-1/4" (57mm)	3-1/2" (89mm)	4-1/2" (114mm)
BD4312	3-1/2" (89mm)	4-3/4" (121mm)	6-1/2" (165mm)

\* For wall to lock center distance greater than 2-1/8", order Extended Installation Kit

(B) Represents the distance from the edge of the wall to the center of the lock bore.



FOR OPPOSITE HAND  
PLEASE SEE REVERSE SIDE

Template Dimensions do NOT provide allowances for gaps between wall studs and drywall.  
Refer to installation instructions for more details.