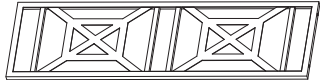
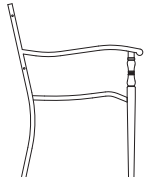






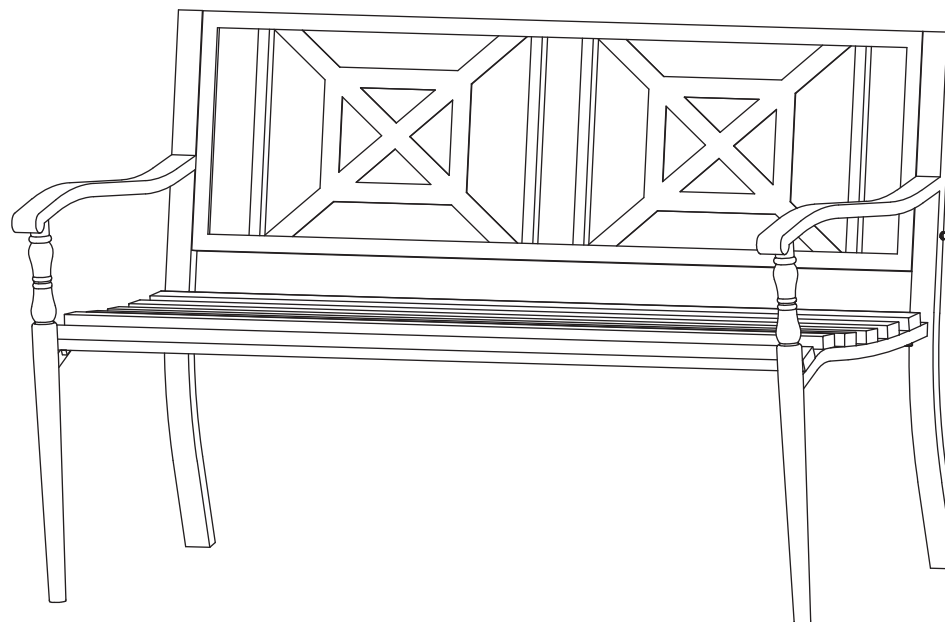


STEEL GARDEN BENCH

Part List

No.	Description	Diagram	Qty pcs
A	Back		1
B	Leg		2
C	Seat		1
D	Bolt 35mm		4
E	Bolt 55mm		4
F	Washer Ø12*Ø6.5*1.0 MM		8
G	Screw Caps		8
H	Hexagonal Wrench		1



Thanks for choosing Able Inc products. We'd love to hear your thoughts, and so would other customers. If you are satisfied with our products and service, please let us know. If you have questions or feedback, we're here to help! cs@ableinc.com.
(We will reply you within 24 business hours)

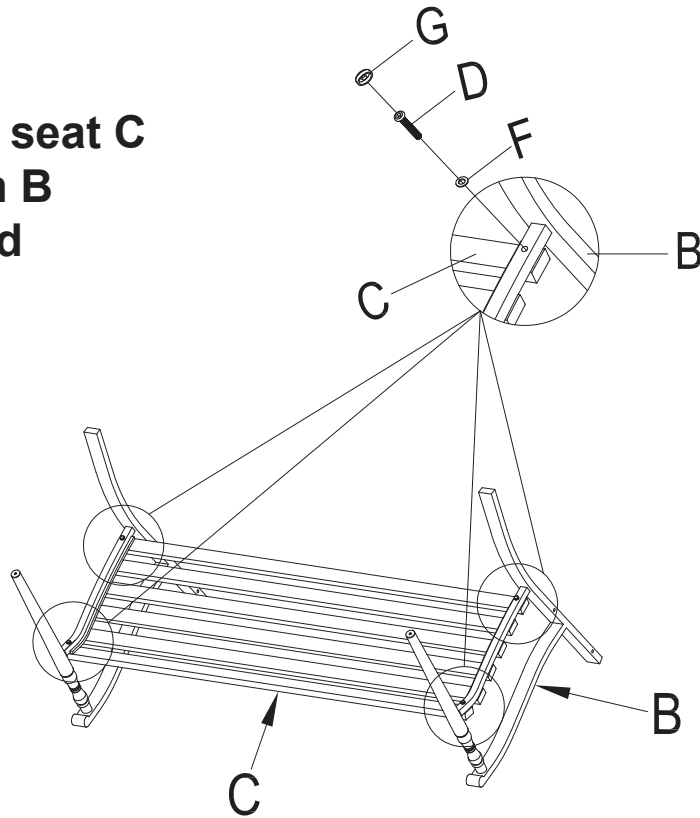


www.ablestore.com

To begin assembly, remove all packaging and plastic from the parts. It is important to ensure that you received all the parts listed below before assembly. The use of cardboard or soft flooring is advised to avoid scratches. Do not tighten all screws until all pieces have been assembled. After all screws are assembled, go back and tighten the screws with the wrench. By not tightening all screws, the chair may be uneven.

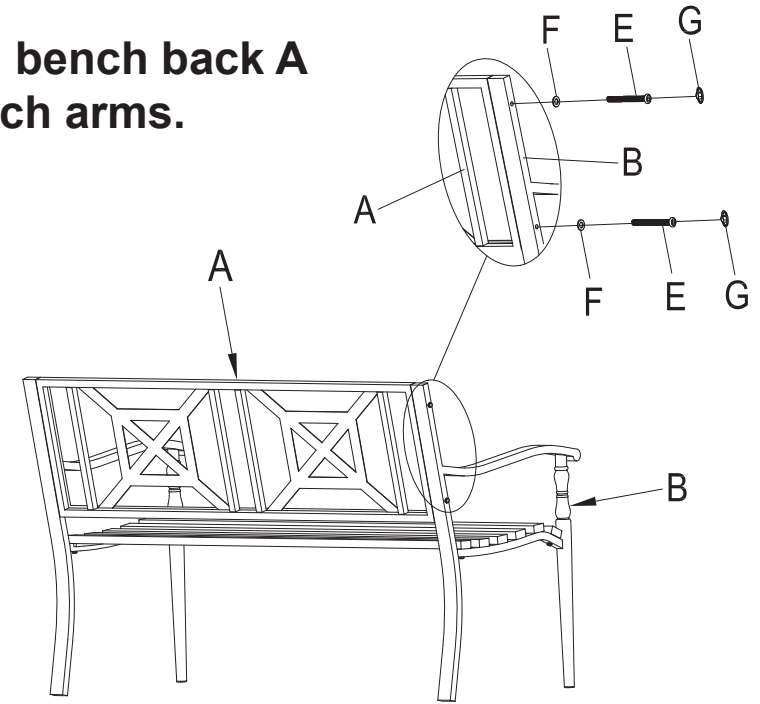
Step1

**Attach bench seat C
to bench arm B
- both left
and
right side.**



Step2

**Attach bench back A
to bench arms.**



Step3

**Your bench is now completely
assembled and ready for use.**

