

36" Counter-Depth 3-Door Refrigerator

800 Series – Black Stainless B36CT80SNB



BOSCH
Invented for life



B36CT80SNB
Black Stainless

Also available in:
Stainless Steel
B36CT80SNS

| General Properties | |
|--|---|
| Full 72" height and true counter depth for built-in appearance | Yes |
| Lighting | Recessed LED light bars |
| Number of compressors/evaporators | 2 / 2 |
| Defrost process refrigerator section | Frost-free |
| Number of shelves – refrigerator | 5 |
| Adjustable shelves – refrigerator | 4 half-width |
| Shelf material – refrigerator | Tempered glass |
| Type of shelves – refrigerator | Frameless split shelves with metal trim |
| Flexible storage bar | FlexBar™ |
| Gallon storage bins | 3 |
| Humidity control compartments | 2 |
| Full width temp. & humidity controlled drawer | VitaFreshPro™ |
| Ice maker | Yes |
| Water filter | UltraClarityPro™ |
| Internal water dispenser | Yes |
| Touch control panel | Yes |
| AirFresh® filter | Yes |
| FreshProtect™ ethylene filter | Yes |
| MultiAirFlow™ | Yes |
| Stainless steel back wall | Yes |
| Defrost process freezer section | Automatic |
| Number of drawers – freezer | 3 |
| Wi-Fi enabled | Yes, Home Connect™ app |

| Capacity | |
|---------------------------------------|----|
| Total capacity (cu. ft.) | 21 |
| Refrigerator gross capacity (cu. ft.) | 15 |
| Freezer gross capacity (cu. ft.) | 6 |

| Technical Details | |
|-------------------------|--------------|
| Current (A) | 15 A |
| Volts (V) | 115 V |
| Frequency (Hz) | 60 Hz |
| Power cord length (in.) | 91 |
| Plug type | 120V-3 prong |

| Dimensions & Weight | |
|--|---------------------------|
| Appliance dimensions (H x W x D) (in.) | 72"* x 35 5/8" x 28 1/2" |
| Appliance dimensions with hinges, handles and doors (H x W x D) (in.) | 72" x 35 5/8" x 30 29/32" |
| Appliance dimensions without hinges and doors (H x W x D) (in.) | 71 1/2" x 35 5/8" x 24" |
| Appliance dimensions with hinges and doors, no handles (H x W x D) (in.) | 72" x 35 5/8" x 28 5/8" |
| Required cutout size (H x W x D) (in.) | 72" x 36" x 25"*** |
| Net weight (lbs) | 350 lbs |

| Efficiency | |
|-----------------------------|--------------|
| Energy consumption (kWh/yr) | 570 |
| ENERGY STAR® qualified | Yes – Tier 1 |

| Accessories – Included | |
|------------------------|-------------|
| Included | Coming Soon |

| Accessories – Optional | |
|------------------------|-------------|
| | Coming Soon |



* When leveling legs are fully extended, add 5/8" to overall height, total 72 5/8".

** The cutout depth of 25" includes the required 1" airflow. The electrical covers on the back of unit do not require additional depth.

Accessories: To purchase Bosch accessories, cleaners & parts please visit www.bosch-home.com/us/store or call 1-800-944-2904 (Mon to Fri 5 am to 6 pm PST, Sat 6 am to 3 pm PST).

Notes: All height, width and depth dimensions are shown in inches. BSH reserves the absolute and unrestricted right to change product materials and specifications, at any time, without notice. Consult the product's installation instructions for final dimensional data and other details prior to making cutout.

Warranties: Please see Use & Care manual or Bosch website for statement of limited warranty.

For more information on our entire line of products, go to www.bosch-home.com/us or call 1-800-944-2904

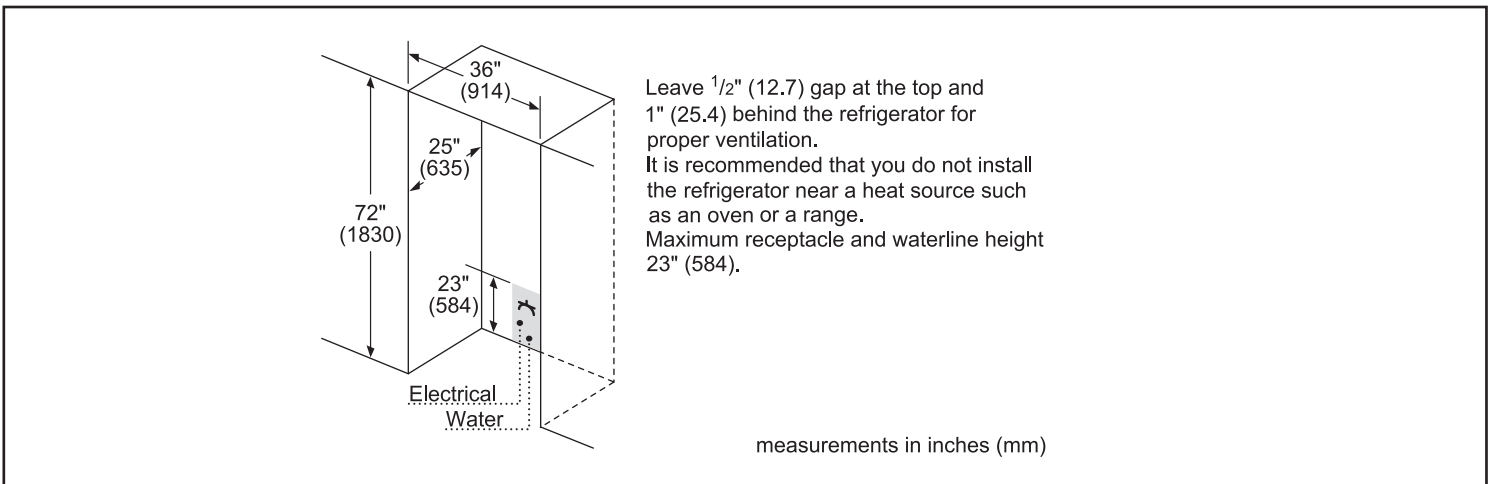
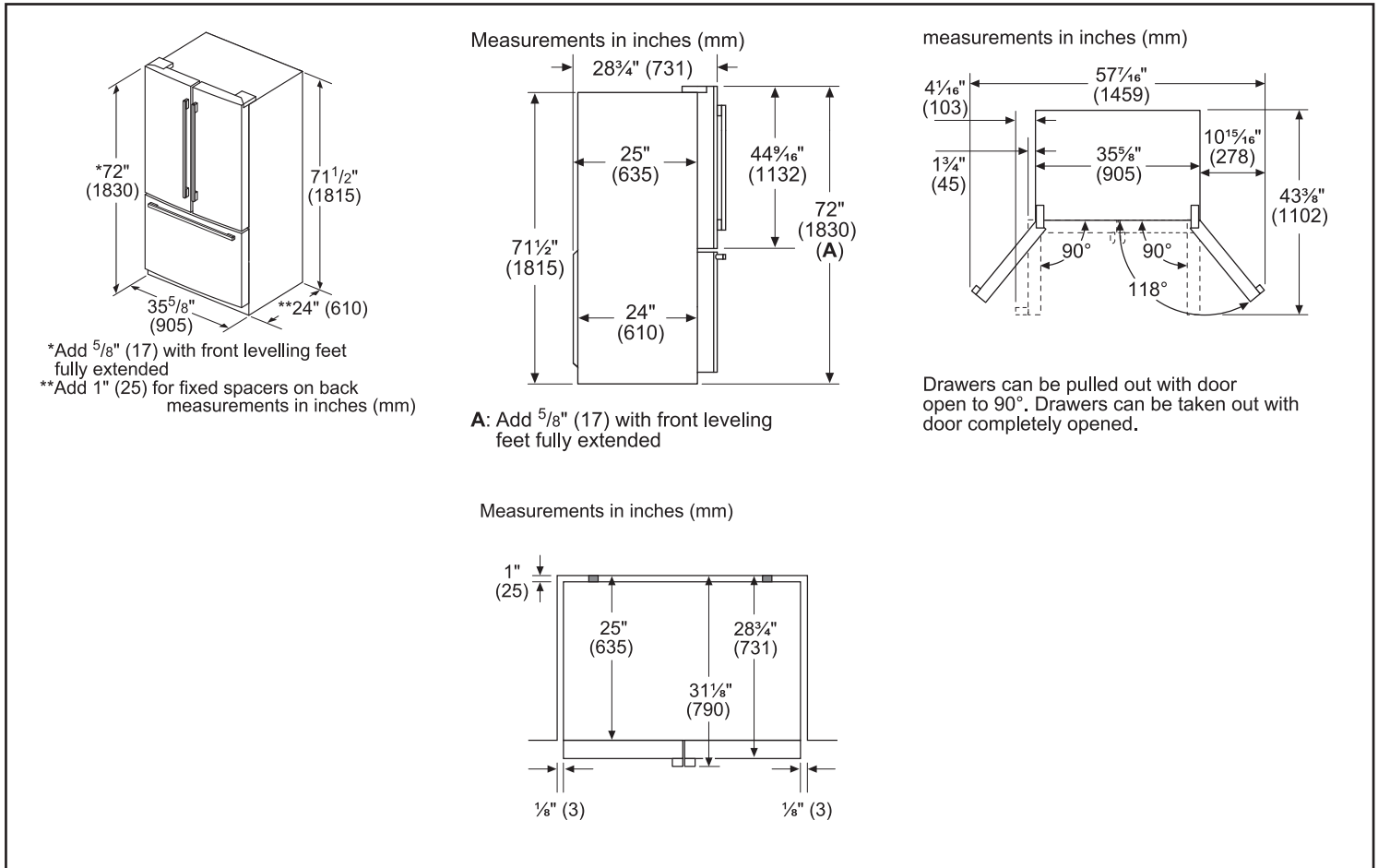
© BSH Home Appliances Corporation. All rights reserved. Bosch is a registered trademark of Robert Bosch GmbH.

36" Counter-Depth 3-Door Refrigerator

800 Series – Black Stainless B36CT80SNB



Installation Details



Accessories: To purchase Bosch accessories, cleaners & parts please visit www.bosch-home.com/us/store or call 1-800-944-2904 (Mon to Fri 5 am to 6 pm PST, Sat 6 am to 3 pm PST).

Notes: All height, width and depth dimensions are shown in inches. BSH reserves the absolute and unrestricted right to change product materials and specifications, at any time, without notice. Consult the product's installation instructions for final dimensional data and other details prior to making cutout.

Warranties: Please see Use & Care manual or Bosch website for statement of limited warranty.

For more information on our entire line of products, go to www.bosch-home.com/us or call 1-800-944-2904

© BSH Home Appliances Corporation. All rights reserved. Bosch is a registered trademark of Robert Bosch GmbH.