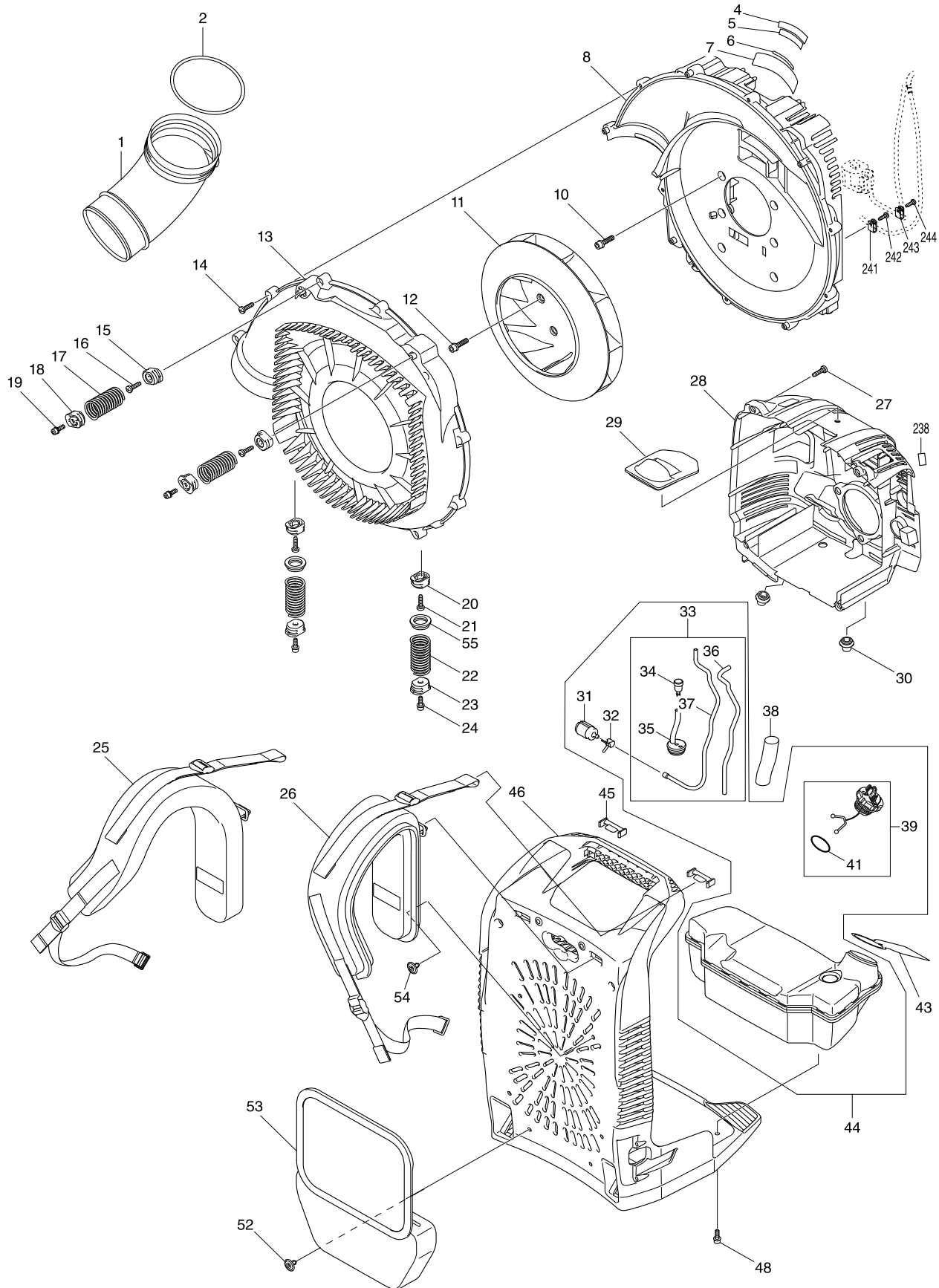




EB7660WH

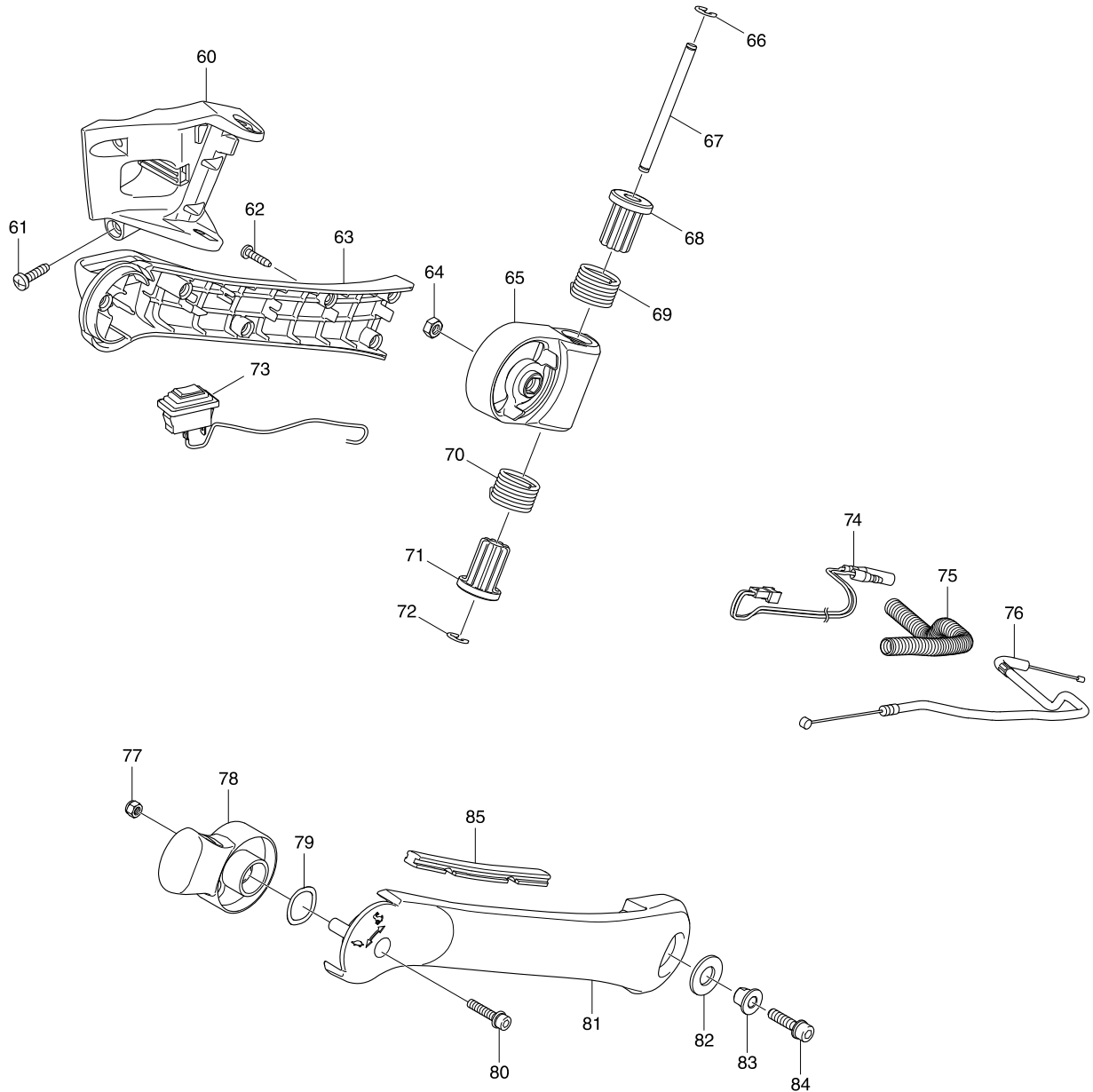


Products with multiple versions are listed in subsiding order with the newest version on top not indented.

Section	Fig. No.	Part No.	Description	EB7660WH	Tech Bulletin	Notes
1	1	412144-8	ELBOW	1		
1	2	213645-7	O RING 93	1		
1	4	802k75-9	CAUTION LABEL	1		
1	5	803S72-6	CAUTION LABEL	1		
1	6	897623-1	SERIAL NO LABEL	1		
1	8	456398-7	FRONT VOLUTE CASE	1		
1	10	922343-9	H.S.H. BOLT M6X25 WITH WR	6		
1	11	240152-7	FAN 250	1		
1	12	922343-9	H.S.H. BOLT M6X25 WITH WR	4		
1	13	456620-2	REAR VOLUTE CASE	1		
1	14	266420-0	TAPPING SCREW 5X20	11		
1	15	454903-4	SPRING HOLDER A	2		
1	16	266420-0	TAPPING SCREW 5X20	2		
1	17	232304-4	COMPRESSION SPRING 22	2		
1	18	454904-2	SPRING HOLDER B	2		
1	19	922223-9	H.S.H. BOLT M5X16WITH WR	2		
1	20	454903-4	SPRING HOLDER A	2		
1	21	266420-0	TAPPING SCREW 5X20	2		
1	22	232305-2	COMPRESSION SPRING 22	2		
1	23	454904-2	SPRING HOLDER B	2		
1	24	922223-9	H.S.H. BOLT M5X16 WITH WR	2		
1	25	161534-9	BAND L COMPLETE	1		
1	26	161535-7	BAND R COMPLETE	1		
1	27	266420-0	TAPPING SCREW 5X20	4		
1	28	143809-8	ENGINE COVER COMPLETE	1		
1	29	424619-5	PLUG COVER	1		
1	30	424620-0	DAMPER	2		
1	31	163532-9	FILTER	1		
1	32	345920-4	HOSE CLAMP	1		
1	33	126444-7	TUBE ASSEMBLY	1		INC. 34-37
1	34	168396-6	BREATHER	1		
1	35	424505-0	GROMMET	1		
1	36	422125-4	TUBE 3-370	1		
1	37	412114-7	FUEL TUBE 3-370	1		
1	38	422137-7	TUBE GUARD 20-102	1		

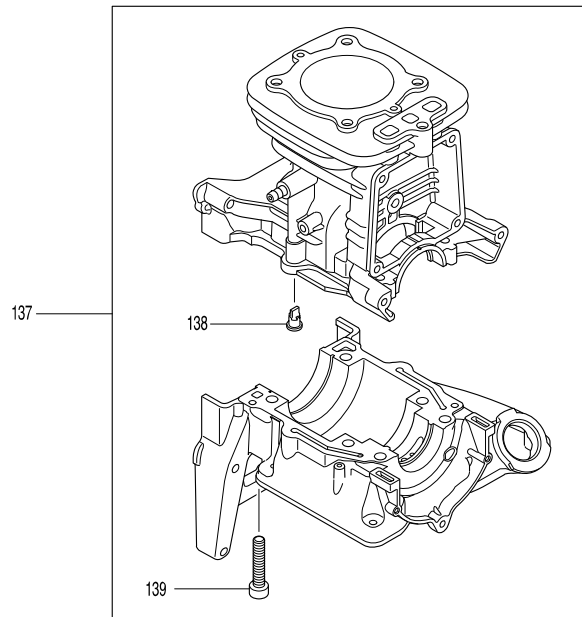
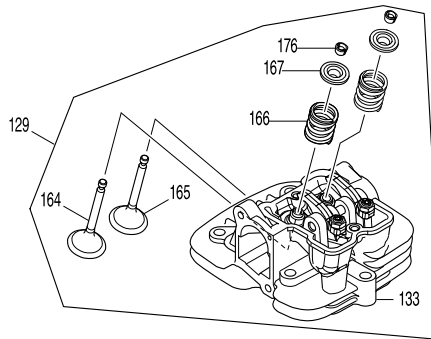
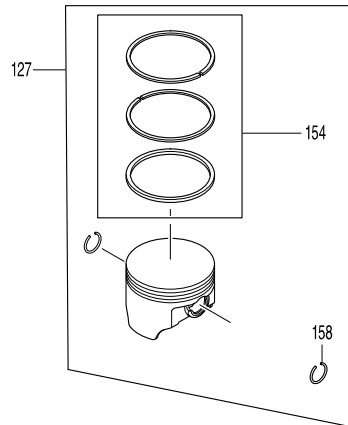
Products with multiple versions are listed in subsiding order with the newest version on top not indented.

Section	Fig. No.	Part No.	Description	EB7660WH	Tech Bulletin	Notes
1	39	140831-6	TANK CAP COMPLETE	1		INC. 41
1	41	213831-0	O-RING 29.5	1		
1	43	898428-2	CAUTION PLATE	1		
1	44	123595-7	FUEL TANK ASSEMBLY	1		INC. 31-33, 39
1	45	454905-0	BAND HOLDER	2		
1	46	454894-9	FRAME	1		
1	48	922223-9	H.S.H. BOLT M5X16 WITH WR	2		
1	52	667-25003-00	ROCK RIVET	4		
1	53	161540-4	CUSHION	1		
1	54	667-25003-00	ROCK RIVET	2		
1	55	424678-9	RUBBER RING 25	2		
1	241	687055-8	STRAIN RELIEF	1		
1	242	266192-7	TAPPING SCREW 4X14	1		
1	243	687055-8	STRAIN RELIEF	1		
1	244	266192-7	TAPPING SCREW 4X14	1		



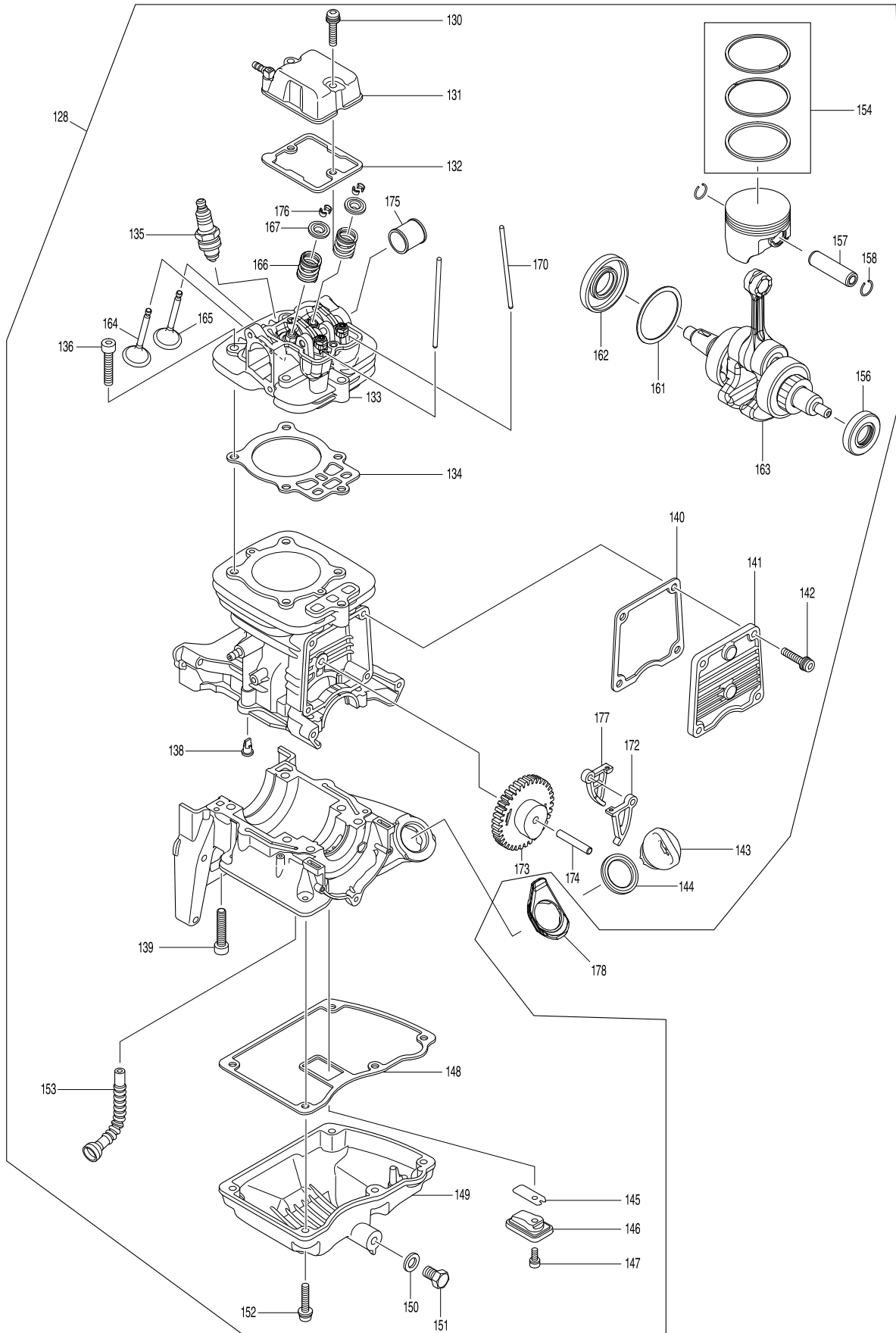
Products with multiple versions are listed in subsiding order with the newest version on top not indented.

Section	Fig. No.	Part No.	Description	EB7660WH	Tech Bulletin	Notes
2	60	454919-9	ARM BASE HOLDER	1		
2	61	266420-0	TAPPING SCREW 5X20	2		INC. 74
2	62	266326-2	TAPPING SCREW 4X18	6		
2	63	454929-6	ARM COVER	1		
2	64	252014-7	HEX LOCK NUT M6-10	1		
2	65	454927-0	ARM BASE	1		
2	66	961011-9	STOP RING E-4	1		
2	67	268313-7	ROD 6	1		
2	69	233613-4	TORSION SPRING 21	1		
2	70	233613-4	TORSION SPRING 21	1		
2	71	422123-8	RUBBER SLEEVE 6	2		
2	73	632C05-6	SWITCH UNIT	1		
2	74	632C07-2	LEAD UNIT	1		INC. 61
2	75	456896-1	CORRUGATE TUBE	1		
2	76	168844-5	CONTROL CABLE	1		
2	77	252103-8	HEX LOCK NUT M5-8	1		
2	78	456616-3	THROTTLE LEVER	1		
2	79	267715-4	WAVE WASHER 20	1		
2	80	922243-3	HEX. SOCKET HEAD BOLT M5X25	1		
2	81	454928-8	ARM	1		
2	82	253843-1	FLAT WASHER 12	1		
2	83	257829-7	SLEEVE 7	1		
2	84	922343-9	H.S.H. BOLT M6X25 WITH WR	1		
2	85	424672-1	ARM RUBBER	1		



Products with multiple versions are listed in subsiding order with the newest version on top not indented.

Section	Fig. No.	Part No.	Description	EB7660WH	Tech Bulletin	Notes
3	127	198209-7	PISTON SET	1		INC. 154, 158
3	129	198224-1	CYLINDER HEAD SET	1		INC. 133, 164-167, 176
3	137	198210-2	CYLINDER BLOCK SET	1		INC 138,139

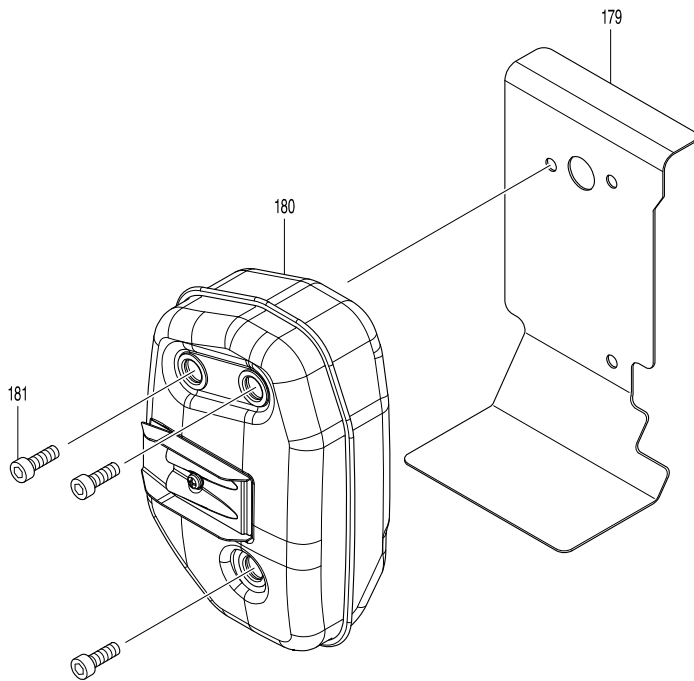
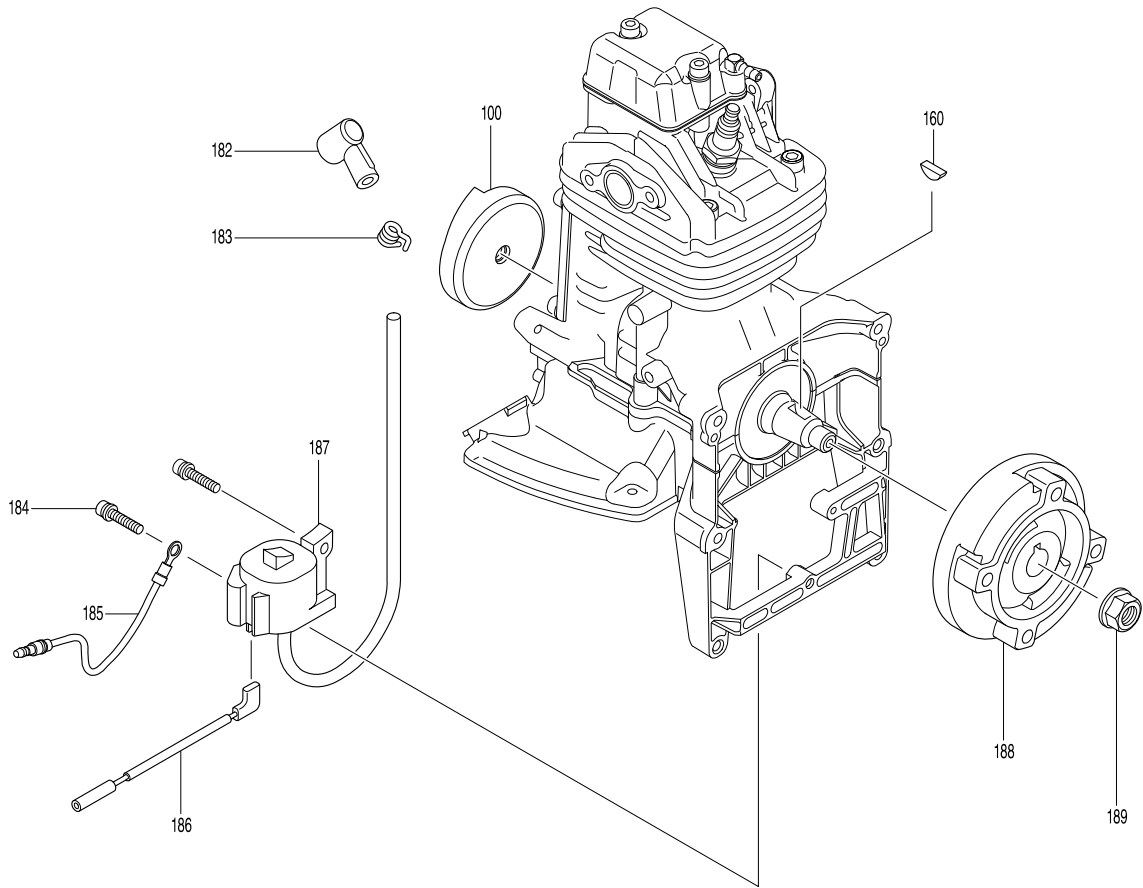


Products with multiple versions are listed in subsiding order with the newest version on top not indented.

Section	Fig. No.	Part No.	Description	EB7660WH	Tech Bulletin	Notes
4	128	198211-0	SHORT BLOCK SET	1		
4	130	004-36053-00	H.S.H. BOLT M5X30 WITH WR	2		
4	131	144766-3	ROCKER COVER COMPLETE	1		
4	131	141771-1	ROCKER COVER COMPLETE	1		
4	132	597-15009-00	ROCKER COVER GASKET	1		
4	133	123557-5	CYLINDER HEAD ASSEMBLY	1		
4	134	442167-2	CYLINDER HEAD GASKET	1		
4	135	168652-4	SPARK PLUG	1		
4	136	265566-9	HEX SOCKET HEAD BOLT M6X30	5		
4	138	424201-0	CHECK VALVE	2		
4	139	922352-8	HEX. SOCKET HEAD BOLT M6X30	6		
4	140	442168-0	CAM GEAR GASKET	1		
4	141	318725-5	CAM GEAR COVER	1		
4	142	266813-1	H.S.H. BOLT M5X16 WITH WR	4		
4	143	452047-4	OIL CAP	1		
4	144	424343-0	GASKET	1		
4	145	346083-9	LEAD VALVE	1		
4	146	319395-3	RETAINER PLATE	1		
4	147	011-90499-80	SOCKET HEAD BOLT M4X10	1		
4	148	597-65001-00	OIL CASE GASKET	1		
4	149	319008-6	OIL CASE	1		
4	150	346452-4	GASKET	1		
4	151	921412-3	HEX BOLT M8X12	1		
4	152	922243-3	HEX SOCKET HEAD BOLT M5X25	5		
4	153	593-65006-00	TUBE, OIL	1		
4	154	197040-8	PISTON RING SET	1		
4	156	213091-4	OIL SEAL 17	1		
4	157	326039-8	PISTON PIN	1		
4	158	233995-4	RING SPRING 12	2		
4	161	267448-1	FLAT WASHER 41	1		
4	162	213090-6	OIL SEAL (L)	1		
4	163	143972-7	CRANK SHAFT COMPLETE	1		
4	164	326691-2	INTAKE VALVE	1		
4	165	326692-0	EXHAUST VALVE	1		
4	166	234212-5	COMPRESSION SPRING 11	2		

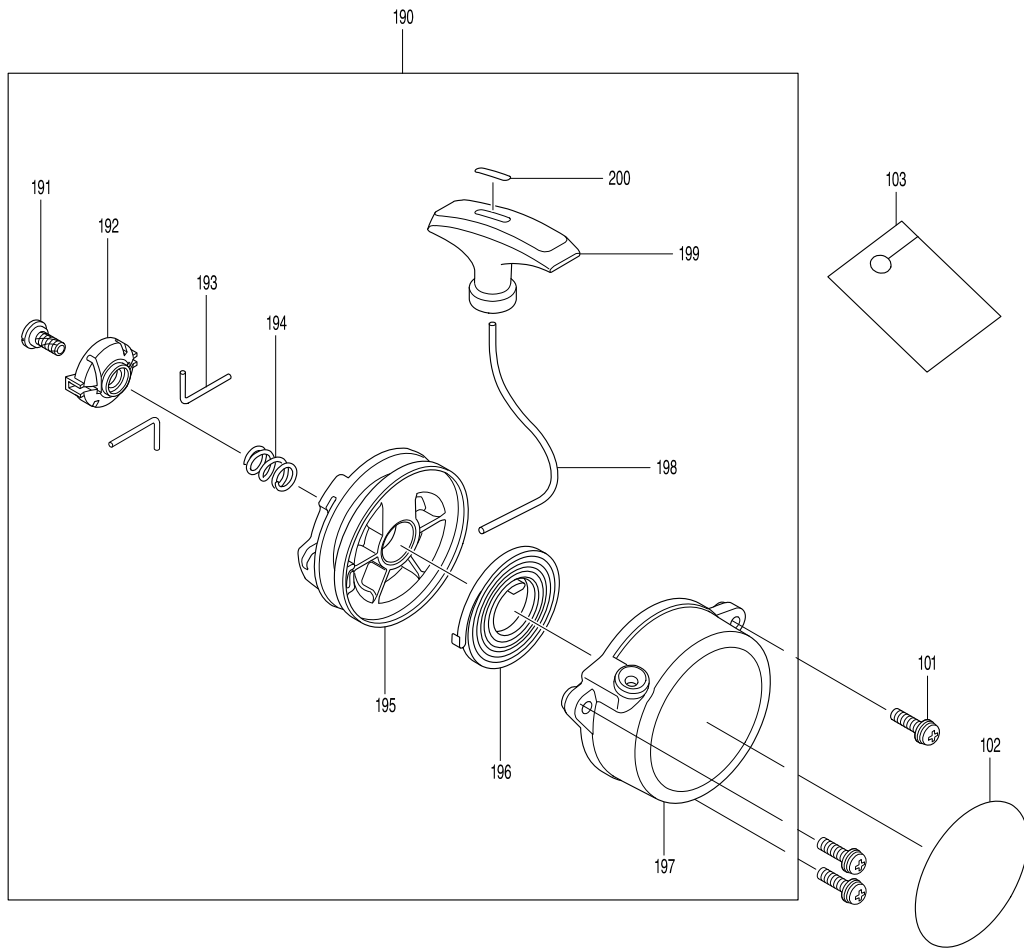
Products with multiple versions are listed in subsiding order with the newest version on top not indented.

Section	Fig. No.	Part No.	Description	EB7660WH	Tech Bulletin	Notes
4	167	331966-6	RETAINER	2		
4	170	256526-2	PUSH ROD	2		
4	173	597-30020-02	CAM GEAR ASSY	1		
4	172	310715-4	CAM LIFTER L	1		
4	174	256200-2	PIN 5	1		
4	175	331937-3	EXHAUST PORT SPACER	1		
4	176	331967-4	COTTER	4		
4	177	313267-4	CAM LIFTER R	1		
4	178	424621-8	OIL GUARD	1		



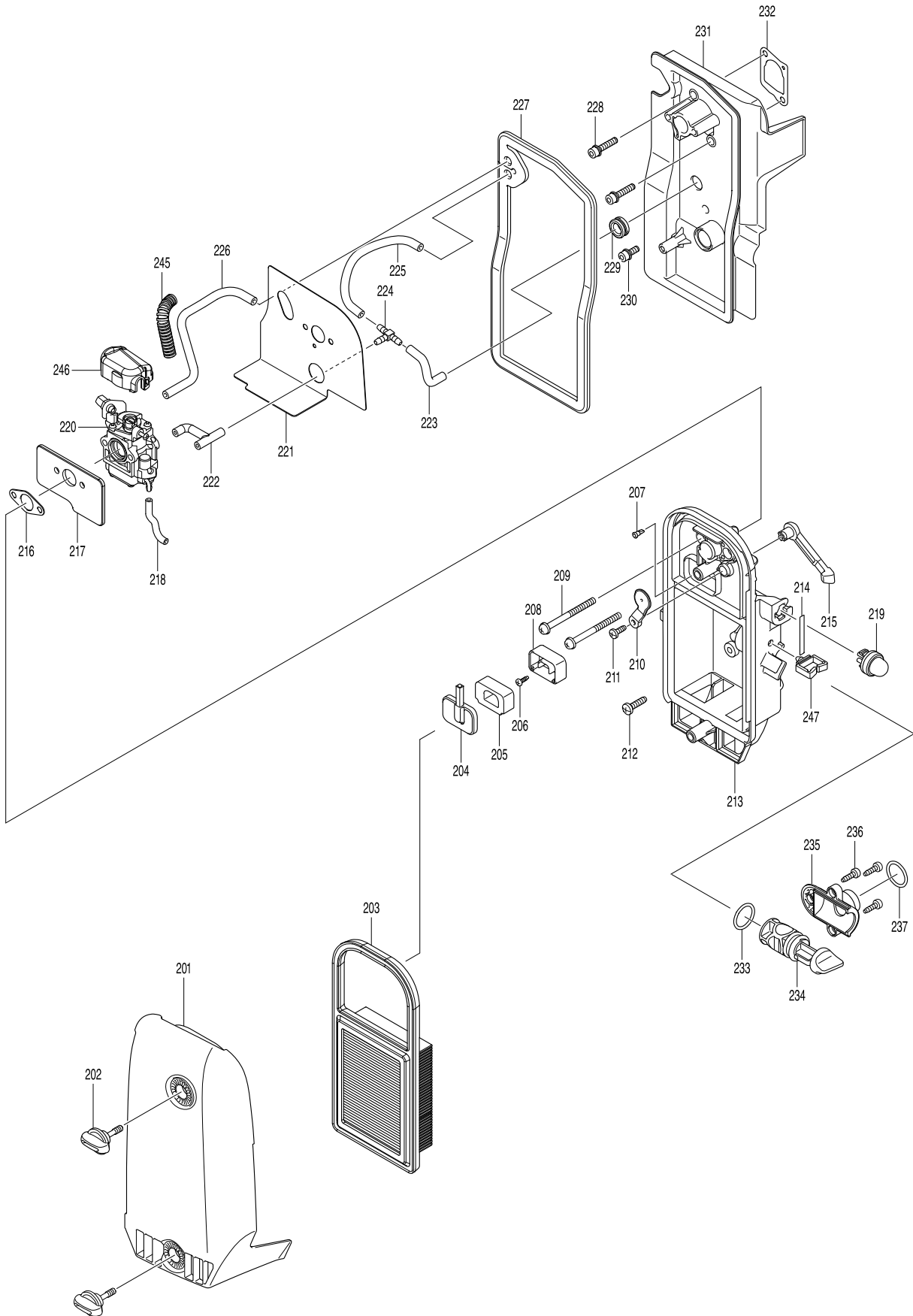
Products with multiple versions are listed in subsiding order with the newest version on top not indented.

Section	Fig. No.	Part No.	Description	EB7660WH	Tech Bulletin	Notes
5	100	597-55000-00	PULLEY	1		
5	160	254001-2	WOODRUFF KEY 4	1		
5	179	346979-4	MUFFLER GASKET	1		
5	180	161408-4	MUFFLER	1		
5	181	266771-1	SOCKET HEAD BOLT M6X18	3		
5	182	424105-6	PLUG CAP	1		
5	183	324891-8	PLUG CAP SPRING	1		
5	184	011-90499-70	SOCKET HEAD BOLT M4X20	2		
5	185	632G44-0	LEAD UNIT	1		
5	186	592-70110-00	LEAD WIRE	1		
5	187	597-70010-10	IGNITION COIL	1		
5	188	597-70010-20	FLYWHEEL COMPLETE	1		
5	189	264054-3	FLAT NUT M10	1		



Products with multiple versions are listed in subsiding order with the newest version on top not indented.

Section	Fig. No.	Part No.	Description	EB7660WH	Tech Bulletin	Notes
6	101	911233-1	PAN HEAD SCREW M5X20	3		
6	102	808W93-7	EB7660WH MODEL NO LABEL	1		
6	103	819432-8	CAUTION TAG	1		
6	190	126165-1	RECOIL	1		INC. 191-200
6	191	266585-8	TAPPING SCREW 5X12	1		
6	192	424516-5	COLLAR	1		
6	193	326200-7	SWING ARM	2		
6	194	597-50020-30	FRICTION SPRING	1		
6	195	441075-4	REEL	1		
6	196	232262-4	SPIRAL SPRING	1		
6	197	141649-8	STARTER CASE COMPLETE	1		
6	198	597-20021-10	STARTER ROPE	1		
6	199	424361-8	STARTER KNOB	1		
6	200	424360-0	ROPE STOPPER	1		

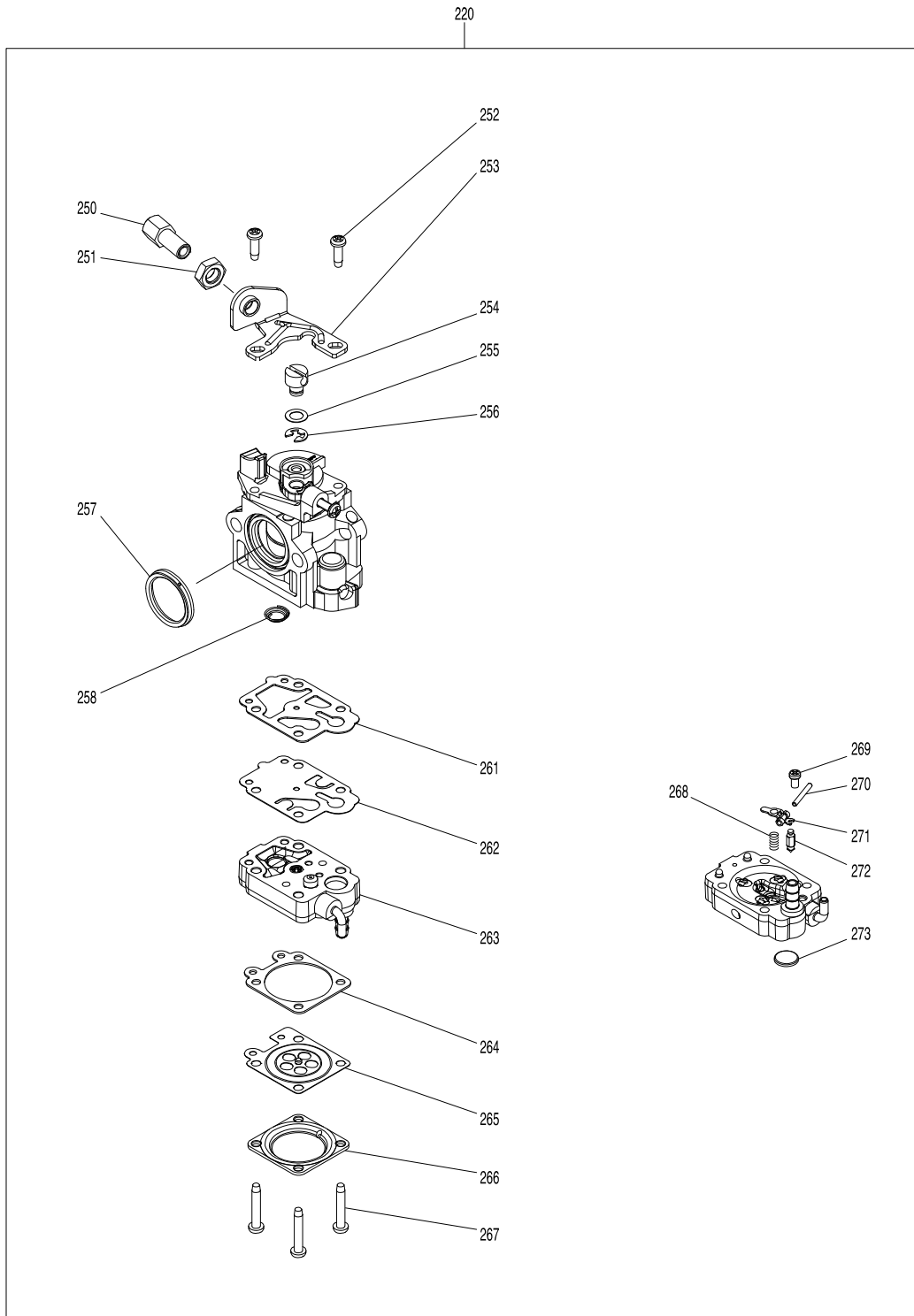


Products with multiple versions are listed in subsiding order with the newest version on top not indented.

Section	Fig. No.	Part No.	Description	EB7660WH	Tech Bulletin	Notes
7	201	454914-9	AIR CLEANER COVER	1		
7	202	265799-6	THUMB SCREW M5X20	1		
7	203	424809-0	AIR CLEANER ELEMENT	1		
7	204	162346-3	SEPARATOR PLATE	1		
7	205	352020-3	SEPARATOR MESH	1		
7	206	266404-8	TAPPING SCREW BIND 3X14	1		
7	207	424316-3	CHECK VALVE	2		
7	208	453865-3	SEPARATOR CASE	1		
7	209	251486-3	PAN HEAD SCREW M5X55 WITH HR	2		
7	210	454910-7	CHOKE PLATE	1		
7	211	266192-7	TAPPING SCREW 4X14	1		
7	212	266420-0	TAPPING SCREW 5X20	1		
7	213	456399-5	AIR CLEANER CASE	1		
7	214	851W17-2	SERIAL NO LABEL	1		
7	215	454902-6	CHOKE LEVER	1		
7	216	523-35042-00	CARBURETOR GASKET	1		
7	217	346991-4	PLATE 31	1		
7	218	412112-1	TUBE 3-60	1		
7	219	168398-2	PRIMER PUMP	1		
7	220	161487-2	CARBURETOR	1		INC 250-258, 261-273
7	221	424830-9	CARBURETOR GASKET	1		
7	222	424823-6	PIPE	1		
7	223	422127-0	TUBE 3-55	1		
7	224	452952-5	HOSE JOINT	1		
7	225	412121-0	TUBE 3-130	1		
7	226	422222-6	TUBE 3-160	1		
7	226	422126-2	TUBE 3-160	1		
7	227	424831-7	INSULATOR SEAL	1		
7	228	266749-4	HEX S.H.B. M5X25 WITH WR	1		
7	229	424623-4	GROMMET	1		
7	230	922218-2	SOCKET HEAD BOLT M5X14 (W, SW)			
7	230	011-90594-90	SOCKET HEAD BOLT M5X14 (W, SW)	1		
7	231	142926-1	INSULATOR COMPLETE	1		
7	232	161583-6	INSULATOR GASKET	1		
7	233	213261-5	O RING 17	1		

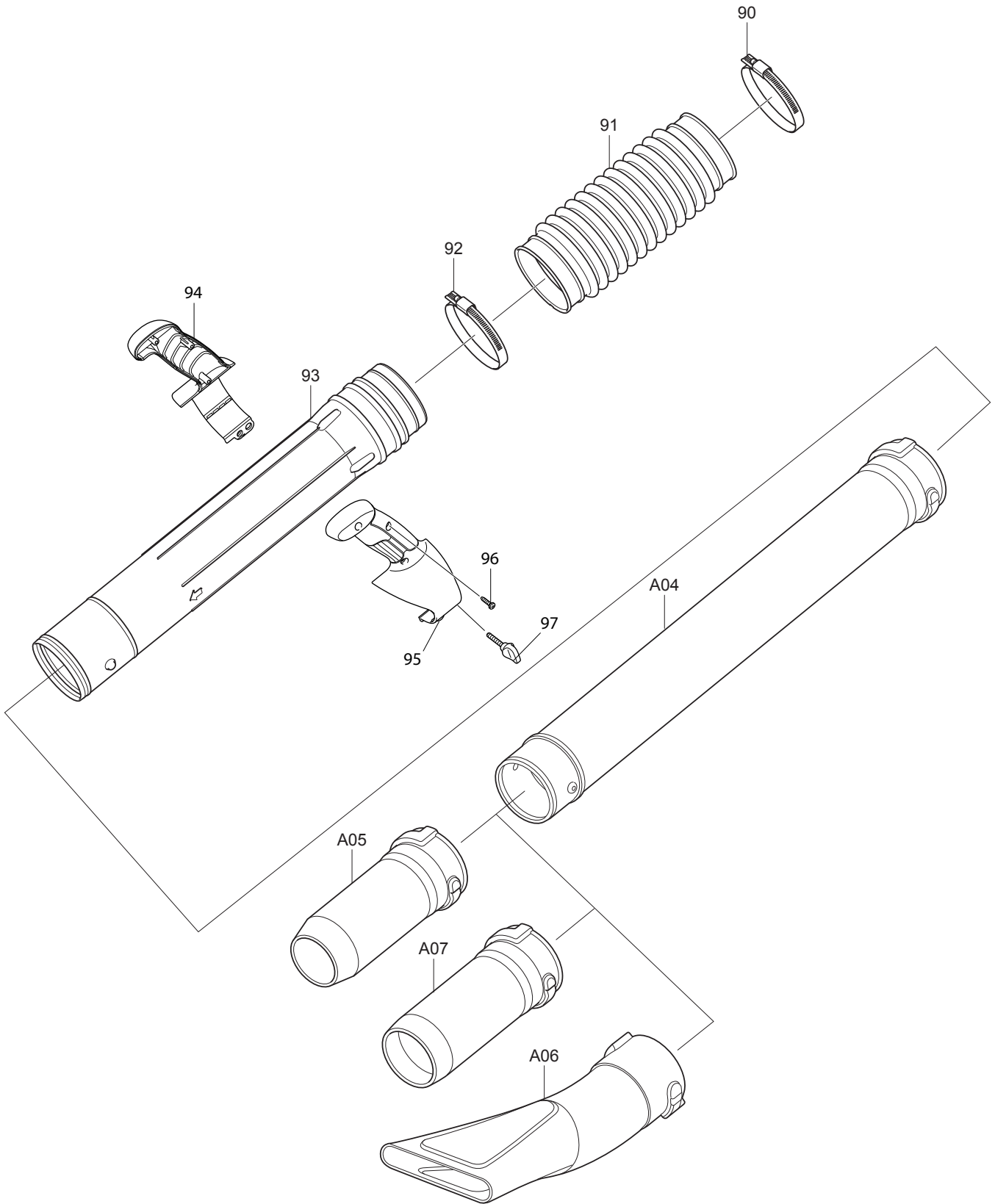
Products with multiple versions are listed in subsiding order with the newest version on top not indented.

Section	Fig. No.	Part No.	Description	EB7660WH	Tech Bulletin	Notes
7	234	454911-5	ICING VALVE	1		
7	235	454912-3	ICING VALVE COVER	1		
7	236	266192-7	TAPPING SCREW 4X14	3		
7	237	213261-5	O RING 17	1		
7	245	457060-7	CORRUGATE TUBE	1		
7	246	456401-4	CARBURETOR COVER	1		
7	247	451825-9	CLAMP	1		



Products with multiple versions are listed in subsiding order with the newest version on top not indented.

Section	Fig. No.	Part No.	Description	EB7660WH	Tech Bulletin	Notes
8	220	161487-2	CARBURETOR	1		INC 250-258, 261-273
8	250	266795-7	ADJUST SCREW	1		
8	251	264065-8	CABLE ADJUST NUT M6	1		
8	252	266704-6	PAN HEAD SCREW M3X10	2		
8	253	523-60520-20	BRACKET CABLE	1		
8	254	325922-6	SWIVEL	1		
8	255	413140-9	WASHER	1		
8	256	257964-1	STOP RING E-3	1		
8	257	424444-4	PACKING RING	1		
8	258	234183-6	CONICAL COMPRESSION SPRING 5-9	1		
8	261	442155-9	PUMP GASKET	1		
8	262	168575-6	PUMP DIAPHRAGM	1		
8	263	141672-3	PUMP BODY ASSEMBLY	1		
8	264	442183-4	METERING DIAPHRAGM GASKET	1		
8	265	168620-7	METERING DIAPHRAGM	1		
8	266	WJ00021158	METERING DIAPHRAGM COVER	1		
8	267	WJ00096325	SCREW	4		
8	268	WJ00983160	SPRING	1		
8	269	WJ00096424	SCREW	1		
8	270	WJ00014477	METERING LEVER PIN	1		
8	271	WJ00016648	LEVER	1		
8	272	WJ00008282	INLET NEEDLE VALVE	1		
8	273	WJ00014070	INLET SCREEN	1		



Products with multiple versions are listed in subsiding order with the newest version on top not indented.

Section	Fig. No.	Part No.	Description	EB7660WH	Tech Bulletin	Notes
9	90	282025-8	HOSE CLAMP 100	1		
9	91	454934-3	FLEXIBLE PIPE	1		
9	92	282025-8	HOSE CLAMP 100	1		
9	93	168832-2	SWIVEL PIPE COMPLETE	1		
9	94	187799-5	HANDLE SET	1		INC. 95
9	95	187799-5	HANDLE SET	1		INC. 94
9	96	266326-2	TAPPING SCREW 4X18	1		
9	97	265762-9	THUMB SCREW M5X30	1		
9	A04	454895-7	LONG PIPE 90	1		
9	A05	454896-5	END NOZZLE 90-60	1		
9	A06	454916-5	FLAT NOZZLE 90	1		
9	A07	455128-3	END NOZZLE 90-70	1		