

# TOTO®

# MW454584CEFG

## Drake® II Connect+™ Toilet, 1.28GPF with Washlet® S350e Connect+

### FEATURES

- Concealed supply connection for seamless installation
- High-efficiency Tornado Flush™ (1.28GPF/4.8LPF)
- CeFiONtect™ glaze prevents debris from sticking to ceramic surfaces for easy cleaning
- Universal Height
- Elongated front bowl
- Chrome trip lever
- 12" Rough-in, less supply
- Auto open/close lid
- See Spec sheet SW584T20 for Washlet features

### MODELS

- C454CUFGT20  
Bowl with CeFiONtect glaze
- ST454E Tank and cover only
- ST454ER Tank and cover only, right hand trip lever

### REQUIRED WASHLET CONNECT+

- SW584T20 Washlet® S350e Connect+  
Fits TOTO Connect+ toilet bowl models only

### COLORS/FINISHES

- Standard  
#01 Cotton

### PRODUCT SPECIFICATION

The two-piece high-efficiency Tornado Flush toilet shall be 1.28GPF/4.8LPF.  
Universal Height Toilet with CeFiONtect glaze finish.  
Toilet shall have high-profile tank, elongated front bowl and chrome trip lever.  
Toilet shall be **TOTO Model C454CUFGT20#01**.

See TOTO Specification sheet **SW584T20** for details on required Washlet.



### CODES/STANDARDS

- Meets and exceeds ASME A112.19.2/CSA B45.1
- Certifications: IAPMO(cUPC), EPA WaterSense, State of Massachusetts, City of Los Angeles, and others
- Code compliance: UPC, IPC, NSPC, NPC Canada, and others
- Legislative Compliance: California AB715, California Green Building Code, City of Los Angeles Water Efficiency Ordinance
- ADA compliant (when installed with trip lever located on the approach side)



# MW454584CEFG

## Drake® II Connect+™ Toilet, 1.28GPF with Washlet® S350e Connect+

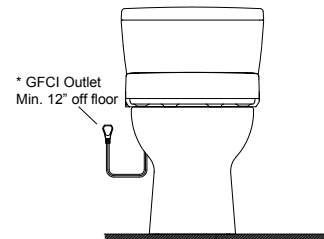
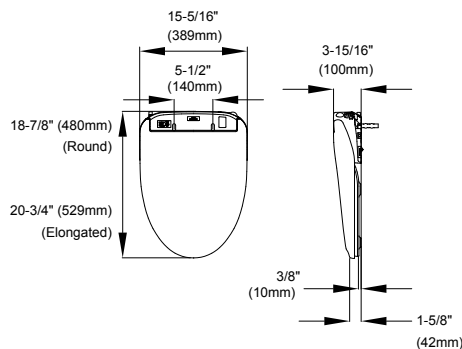
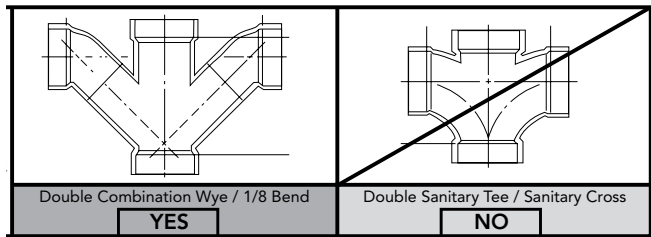
### SPECIFICATIONS

- Water Use 1.28 GPF/4.8LPF
- Flush System Tornado Flush™
- Min. Water Pressure 8 psi (static)
- Water Surface 7-1/8" x 9-1/8"
- Trap Diameter 2-1/8"
- Rough-in 12"
- Trap Seal 2-1/8"
- Warranty One Year Limited Warranty
- Material Vitreous china
- Shipping Weight C454CUFGT20 57.3lbs.  
ST454E(R) 31.5lbs.  
SW584T20 13.5lbs.
- Shipping Dimensions C454CUFGT20  
29" L X 14-3/4" W1 X  
11-1/2" W2 X 16-1/4" H  
ST454E(R)  
18" L X 9" W X 16" H  
SW584T20  
23" X 19-1/4" X 5-1/2"

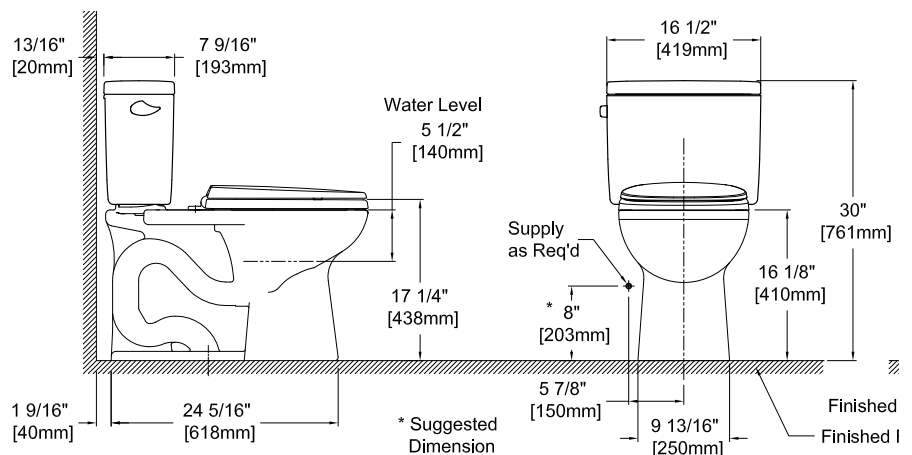
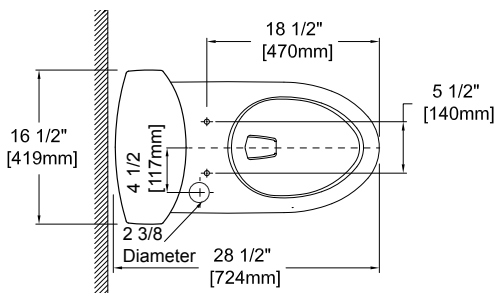
- See Spec sheet **SW584T20** for Washlet details

### INSTALLATION NOTES

Back-to-Back Toilet Installations:  
TOTO recommends the use of a nationally listed, double sanitary tee-wye only, in vertical waste stacks, in accordance with the stipulations noted in the majority of nationally recognized plumbing codes.



\* The 3-prong cord on the Washlet is on



**TOTO**

These dimensions and specifications are subject to change without notice