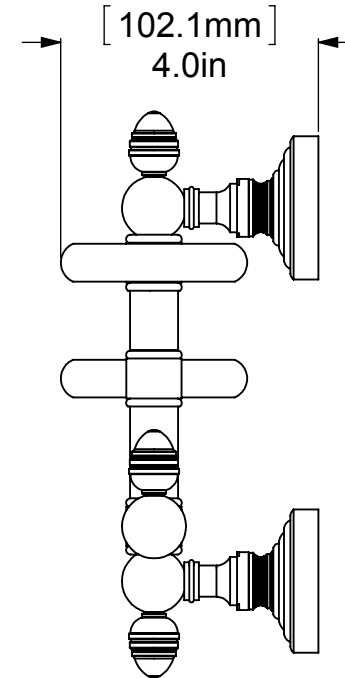
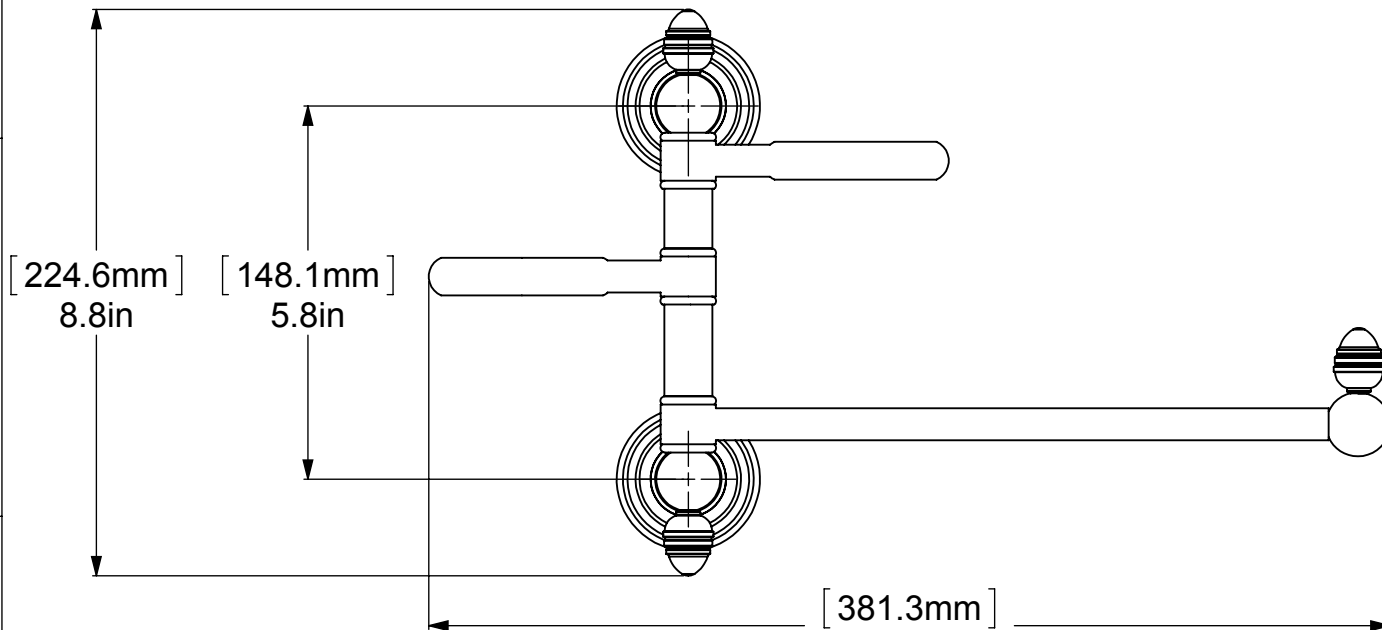


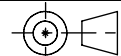
ITEM NO.	P/N	Description	QTY.
1	BPVV	BACKPLATE	2
2	NKSL-58	SUPPORT	2
3	NKSL-78	NECK	2
4	mr-tilt-fitt	TILT	3
5	CRRD-34	CHECK RING	6
6	TU34-1.5	TUBE	2
7	TU12-10	TUBE	1
8	BL1T-1	HUB	1
9	KBGT-1	PEG	3
10	BL2T-1	HUB	2
11	TU12-1	TUBE	2
12	HRRD	RING	2



UNLESS OTHERWISE STATED

.X	±.3mm
.XX	±.15mm
.XXX	±.008mm

COPYRIGHT © Allied Brass 2016



THIRD ANGLE PROJECTION

DRAWN	8/9/2016	I.M
CHECKED	8/9/2016	P.D
APPROVED	8/9/2016	R.A

MATERIAL:	BRASS	
DESCRIPTION:	HAIR DRYER HOLDER	
QUANTITY	TBD	
DRAWING No.		REV
WP-GTBD-1		0
SCALE	1:3	SHEET: 01 A4