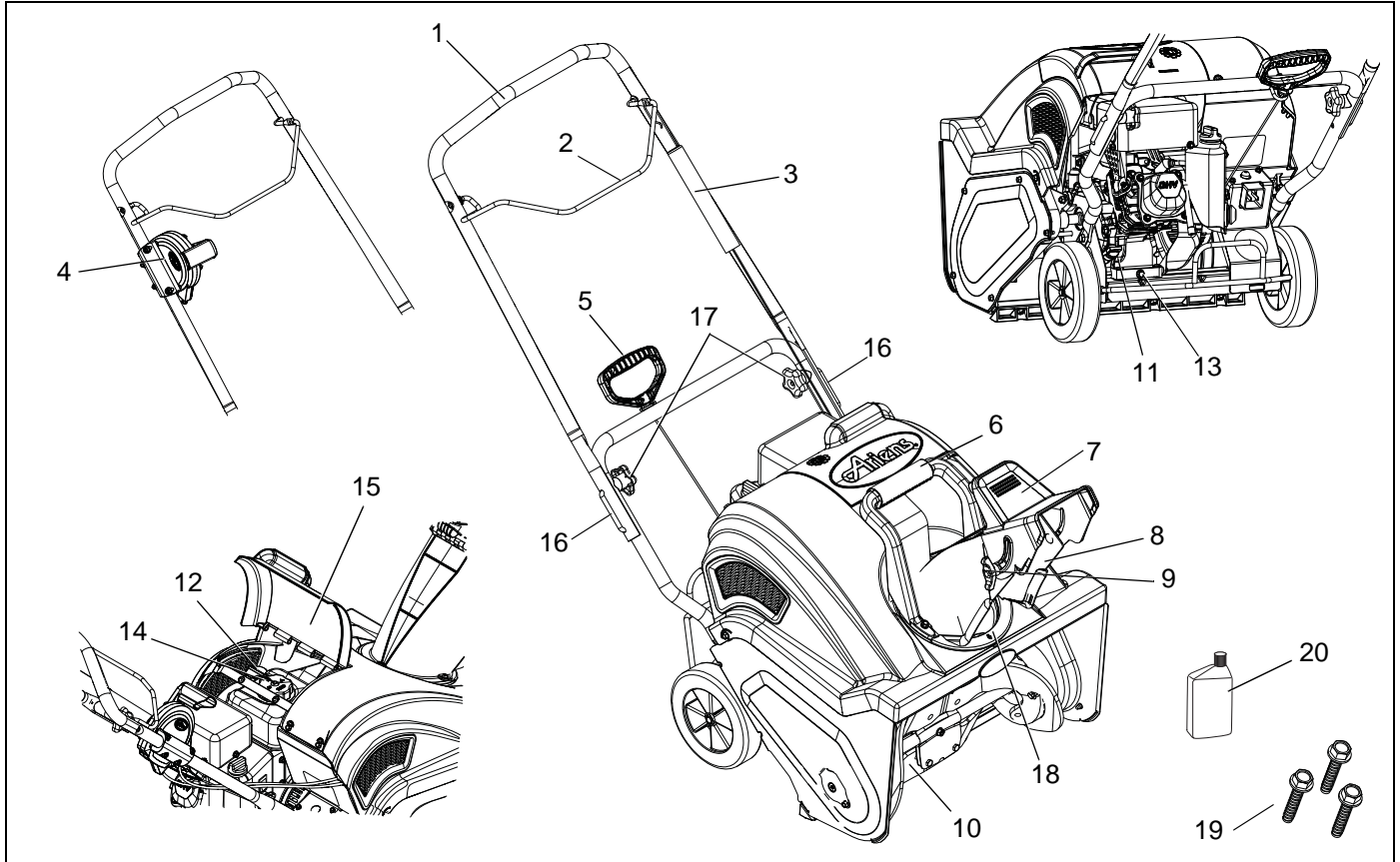




Path-Pro[®]

Setup Instructions



IDENTIFICATION

- | | |
|--|--|
| 1. Handlebar | 11. Oil Fill (Models 938030, 034) |
| 2. Auger Control Bar | 12. Oil Fill (Models 938031, 032, 033) |
| 3. Auger Control Cable Assembly | 13. Oil Drain Plug |
| 4. Remote Discharge Chute Handle Assembly (Model 938033) | 14. Fuel Cap & Tank |
| 5. Recoil Starter Handle | 15. Fuel & Oil Door |
| 6. Discharge Chute Handle (Models 938030, 031, 032, 034) | 16. Pivot Bolt |
| 7. Discharge Chute Deflector Handle | 17. Knob |
| 8. Discharge Chute | 18. Water Guard Ring |
| 9. Wing Knob | 19. 1/4 x 1 1/4" Plastic Tapping Screw (3) |
| 10. Auger Paddle | 20. 16 oz 5W-30 Oil |

Tools Required:

- 7/16" wrench or socket
- 3/8" wrench or socket

ASSEMBLY



WARNING: AVOID INJURY. Read and understand the entire *Safety* section in the Owner's Manual before proceeding.
DO NOT start engine until all assembly steps have been completed.

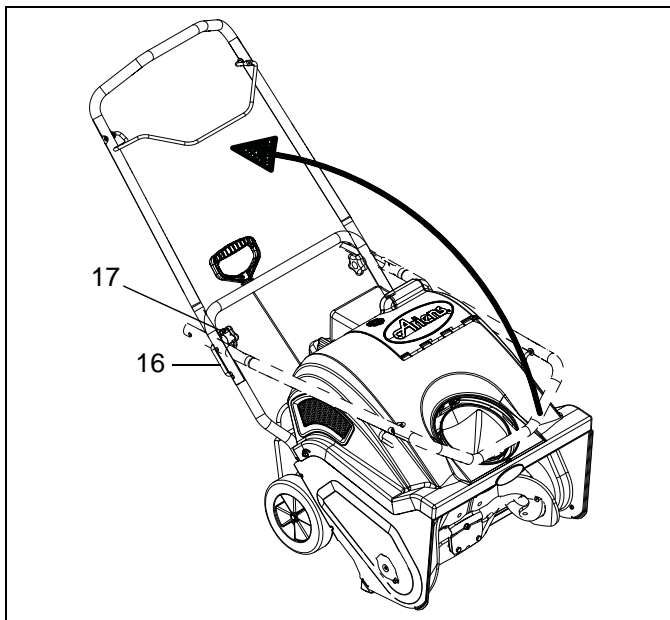
1.

Open box and remove all parts. Verify there is no damage or missing parts.

2.

Assemble handlebar.

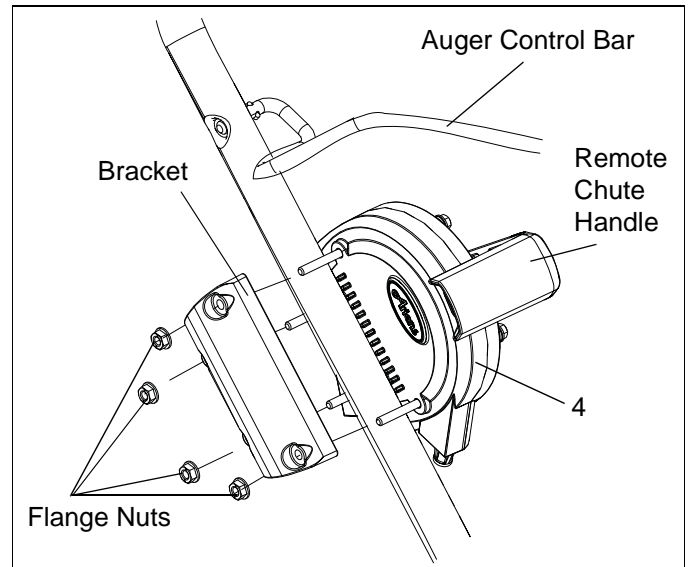
- Loosen knobs (# 17) on each side of handlebar and rotate handlebar to operating position.
- Insert lower end of pivot bolt (# 16) into handlebar holes.
- Ensure auger control cable is not pinched and tighten knobs. Do not overtighten.



3.

Attach remote discharge chute handle. (Model 938033)

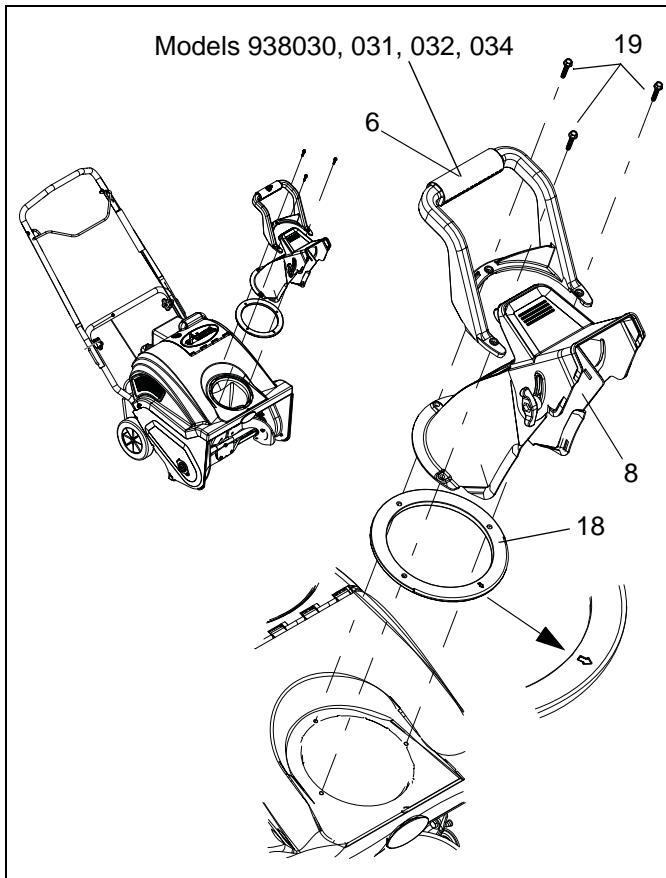
- Remove flange nuts and bracket from remote chute handle assembly (# 4).
- Position remote chute handle assembly on handlebar.
- Place bracket on handlebar and secure with flange nuts. Do not overtighten.
- Move remote chute handle completely forward and rearward to ensure proper operation.
- Place remote chute handle halfway between full forward and full rearward.



4.

Attach discharge chute.

- Place water guard ring (# 18) on discharge chute.
- Position discharge chute (# 8) onto ring.
- Position chute handle (# 6) on top of discharge chute. (Models 938030, 031, 032, 034)
- Ensure holes in all pieces align and secure with three screws (# 19). Do not overtighten.
- Move remote chute handle (model 938033) or chute handle (models 938030, 031, 032, 034) to ensure proper operation of discharge chute.



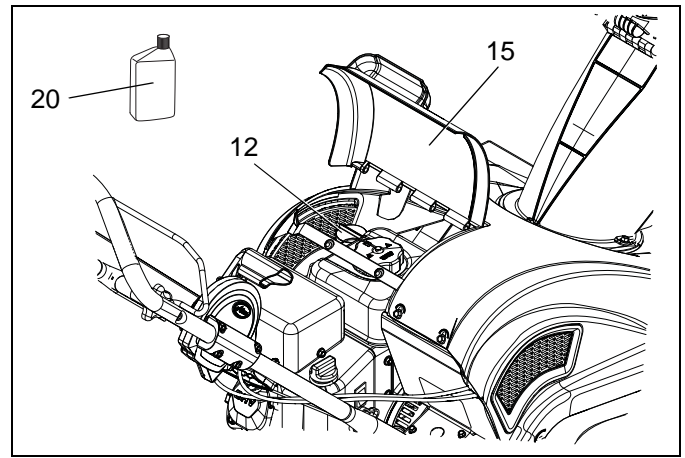
5.

Engage auger control bar (# 2) to ensure proper operation. There should be no excessive tension on cable. When auger control bar is disengaged, there should be slight slack in cable and no tension. See Owner's Manual if adjustment is necessary.

6.

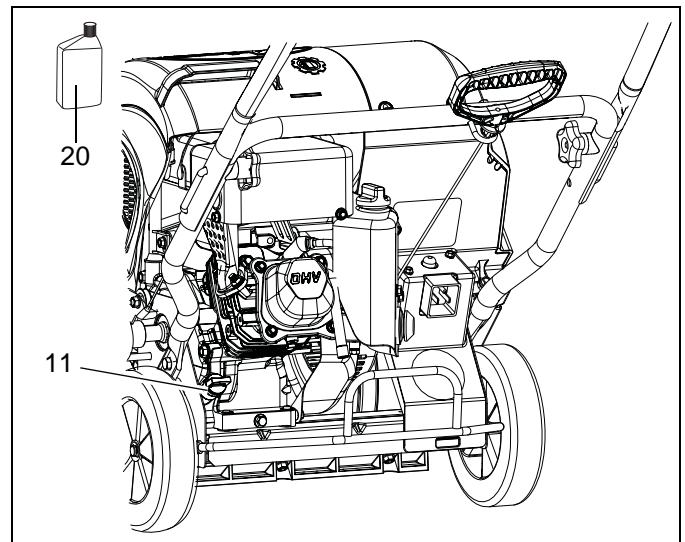
Add oil. (Models 938031, 032, 033)

- Open fuel and oil door (# 15) to access oil fill (# 12).
- Remove cap and add 16 oz. 5W-30 oil (# 20). Check oil level on dipstick to ensure proper operating level. See Owner's Manual for instructions.
- Replace cap and close door.



Add oil. (Models 938030, 034)

- Remove cap from oil fill (# 11) and add 16 oz. 5W-30 oil (# 20). Check oil level on dipstick to ensure proper operating level. See Owner's Manual for instructions.
- Replace cap.



WARNING: AVOID INJURY. DO NOT proceed until operation and safety rules are fully understood.



Read and understand entire Owner's Manual before proceeding.