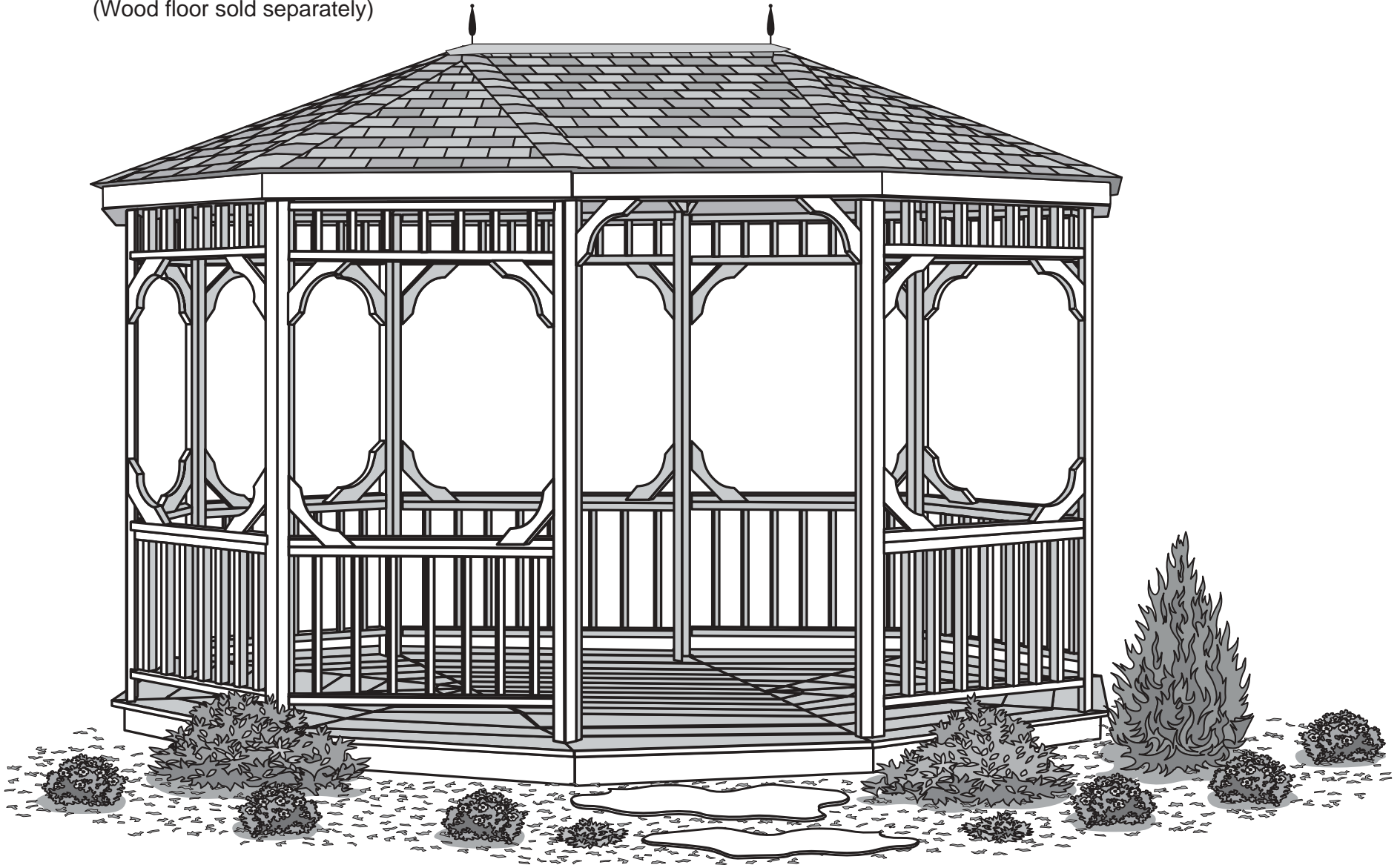


10'x14' Oval Gazebo

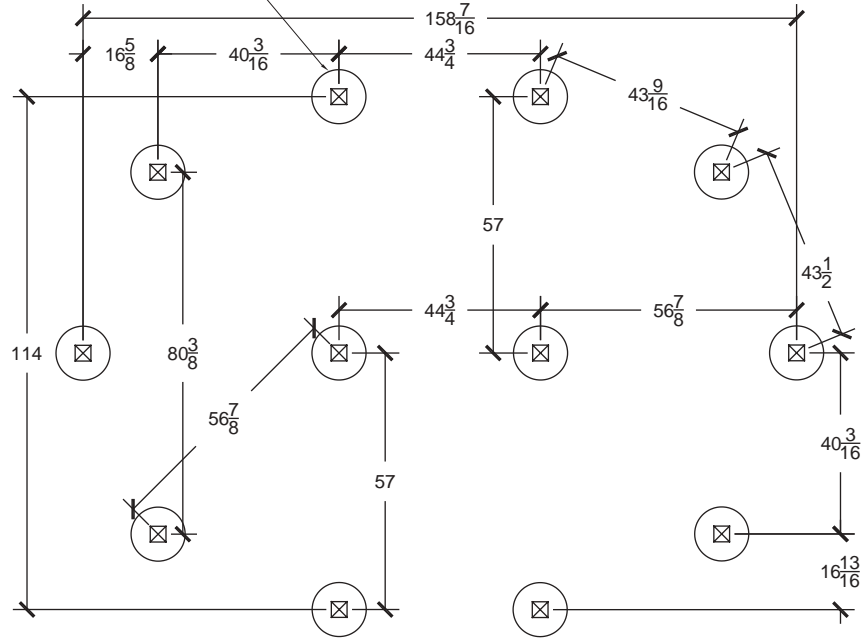
Engineering Plans

(Wood floor sold separately)

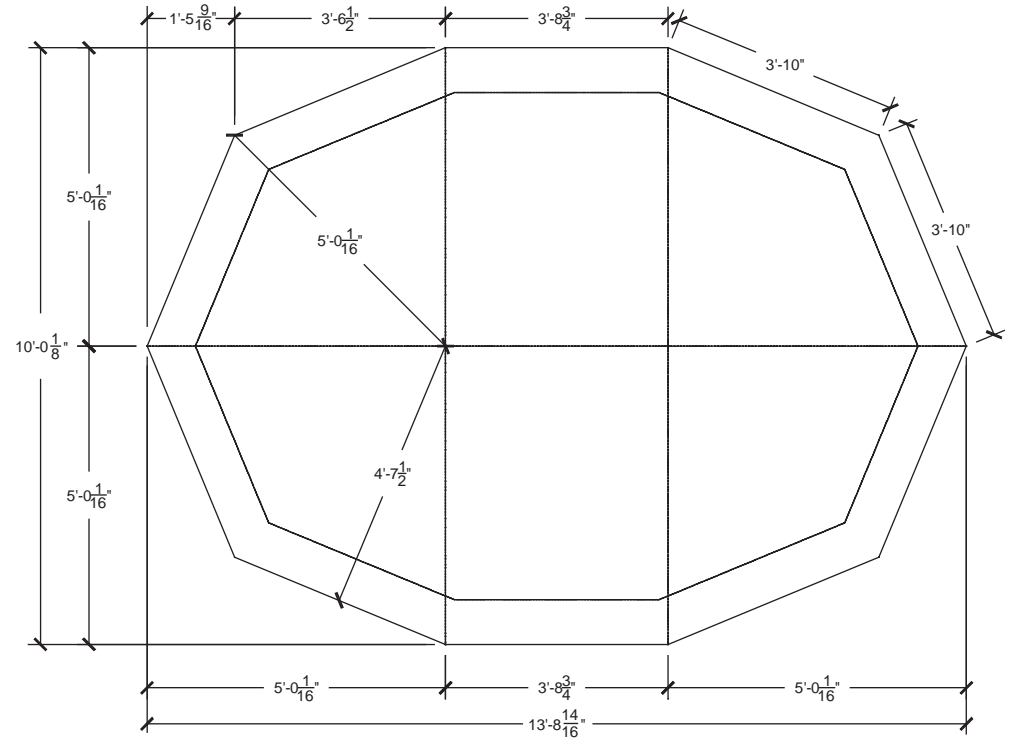


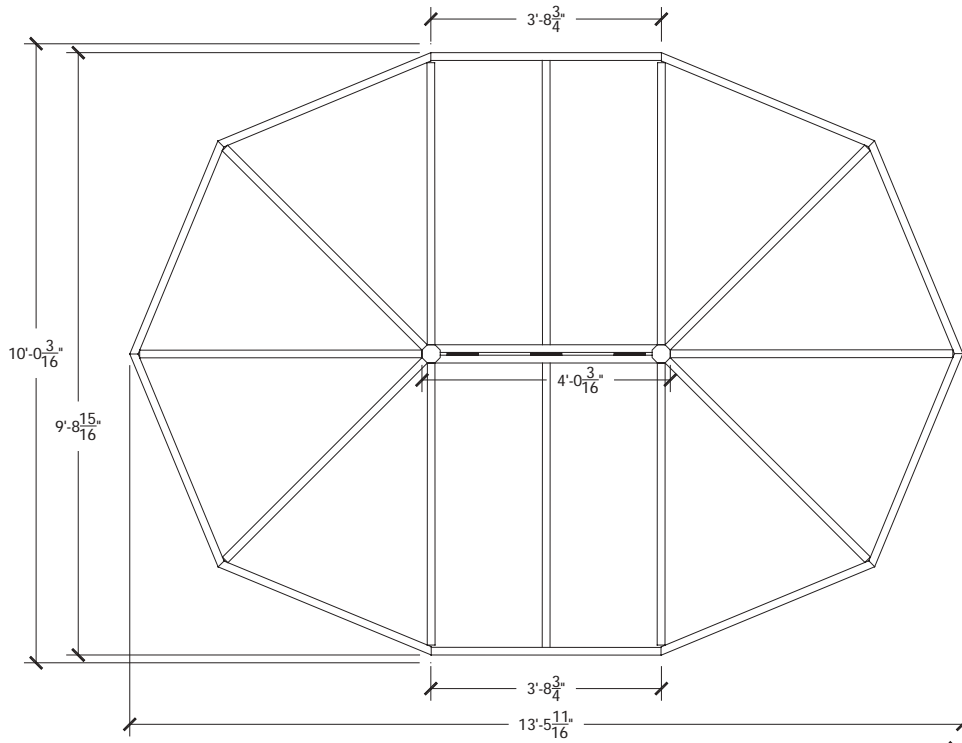
Pier Locations for Wood Floor

"Suggested" Conc. Pier Location
 CHECK LOCAL CODE REQUIREMENTS



Slab Details

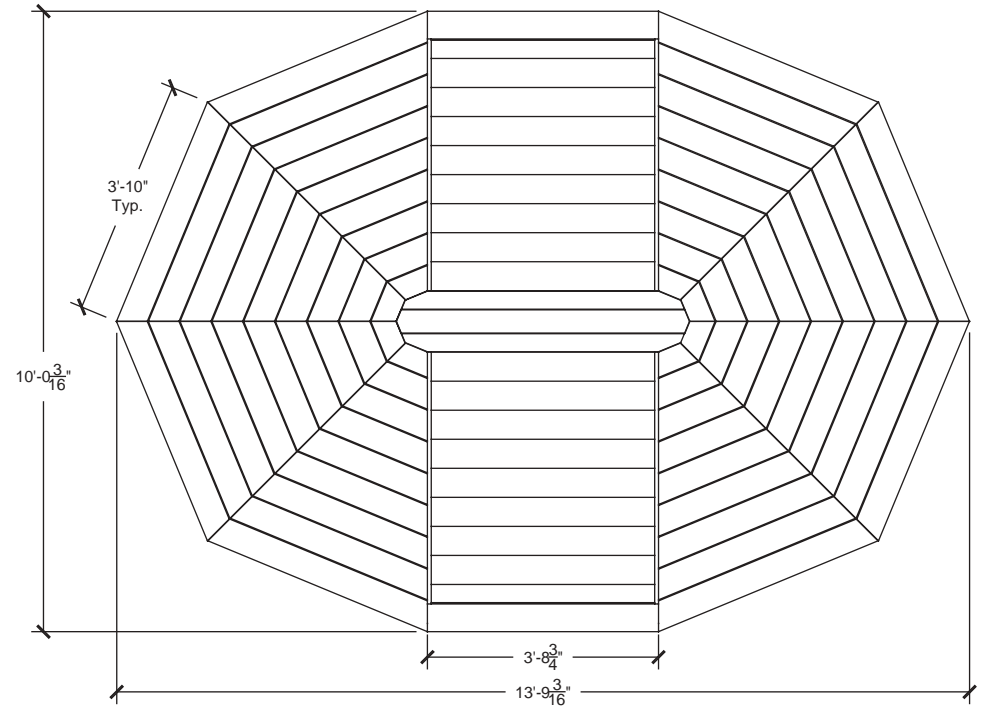




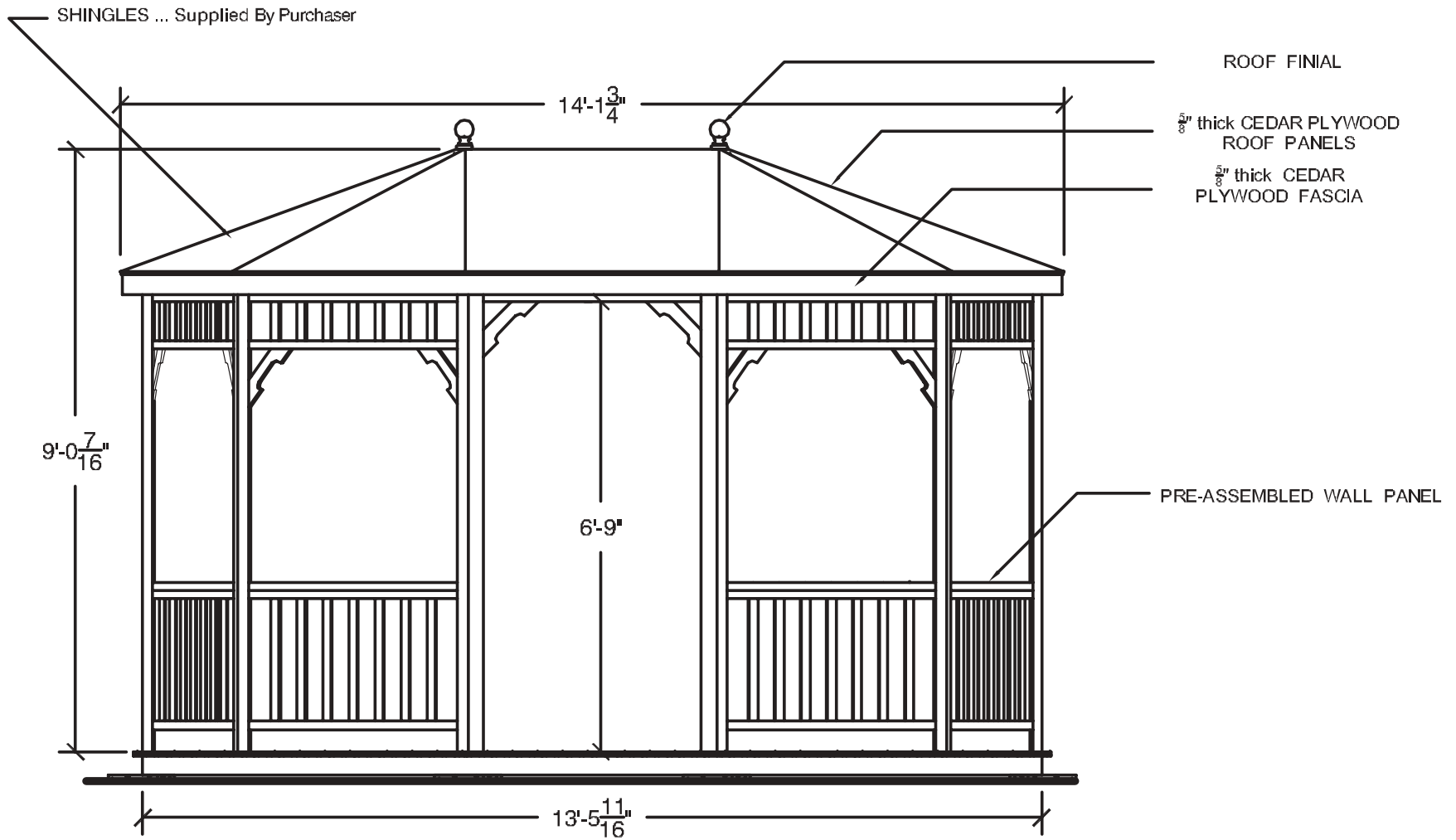
Floor frame is made from 2x4 treated material.



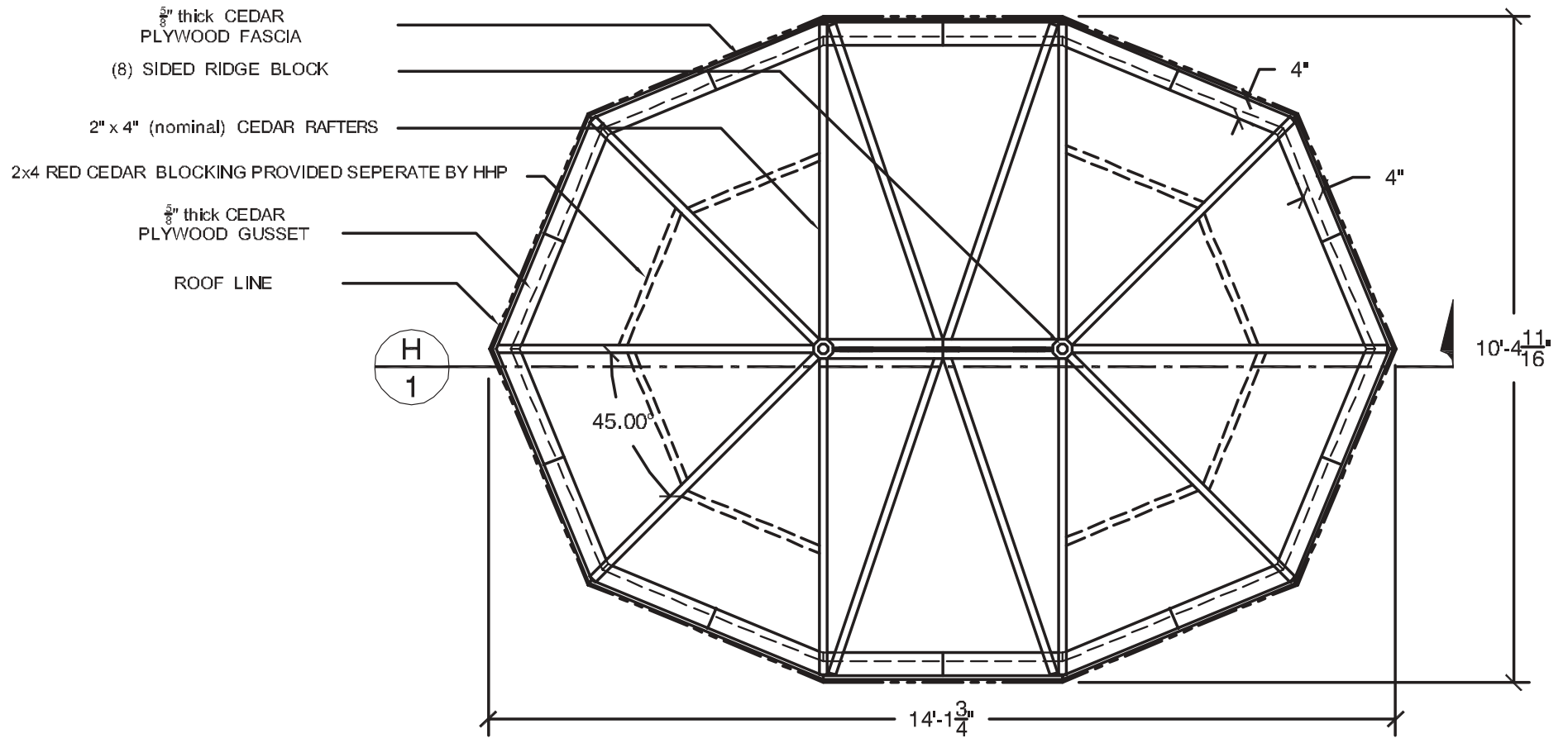
**Floor decking is Cedar.
Panel are preassembled.**



Sold Separately



FRONT ELEVATION



PLAN VIEW of ROOF FRAMING

