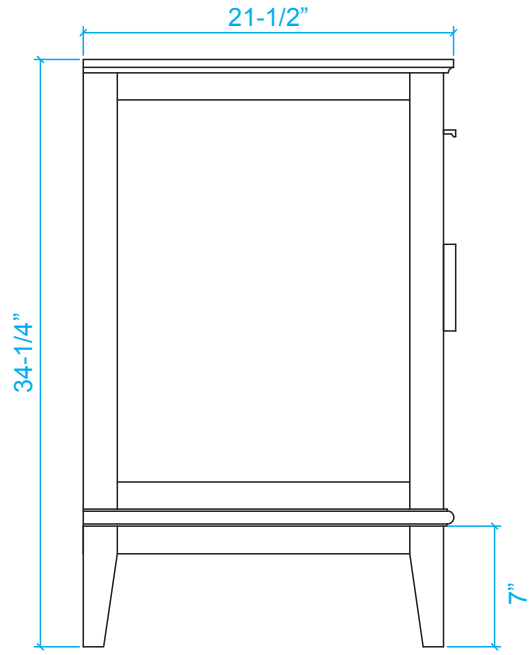
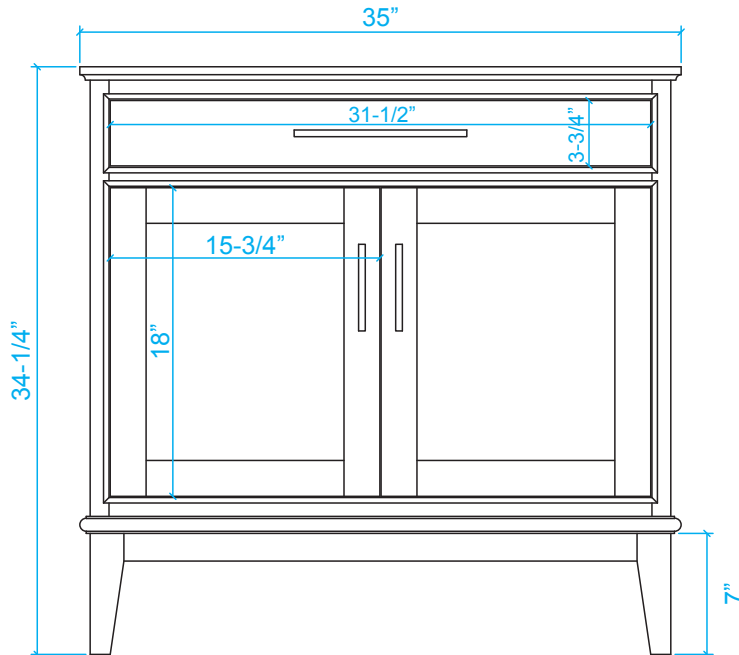
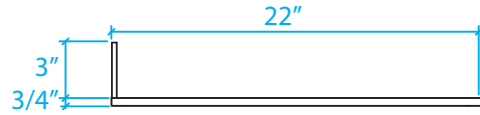
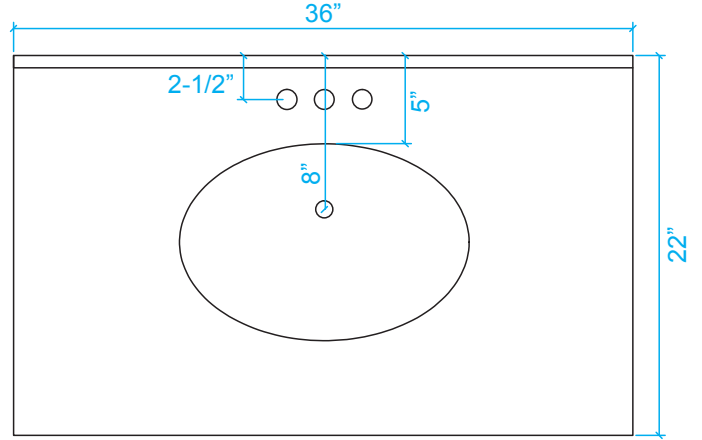
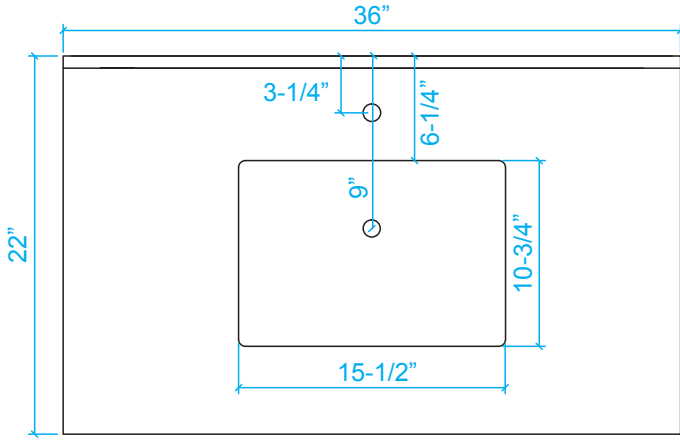


WYNDHAM COLLECTION



*Note: All Measurements are $\pm 1/4"$

WC-1616-36-SGL