



PRIVACY ACCENT FENCE INSTALLATION INSTRUCTIONS



Kit contents

- 3 - posts
- 4 - rails
- 3 - post caps
- 3 - 18" wooden stakes
- 20 - privacy pickets
- 3 - 7/8" screws

Items needed

- Soapy water
- Wooden wedge
- Non-marring rubber mallet
- Drill with square bit

Note: PicketLock™ is a patent-pending technology that provides a glue- and fastener-free connection between the pickets and rails. You may spray soapy water onto components to help them slide more easily into their corresponding channels. A non-marring rubber mallet may also be used to gently tap components more firmly into place.

Preparation

Check local ordinances and regulations before building your fence. Before construction, contact your local utility companies to mark any underground cables and pipelines. In addition, it is a good idea to discuss plans with any neighbors along your proposed fence line.

Step 1

- Take one of the rails and align one of the pickets with the channel in the rail. Slide the picket into the channel (fig. 1).
- Begin to insert the remaining eight pickets into the channel of the rail (fig. 2). Because the pickets have a tongue-and-groove design, be sure to face each in the same direction. Tightly align the tongue of each picket into the groove of the next as they slide into the channel. Continue to slide the pickets to the opposite side of the rail until all are inserted into the channel.

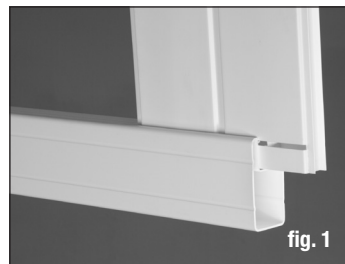


fig. 1

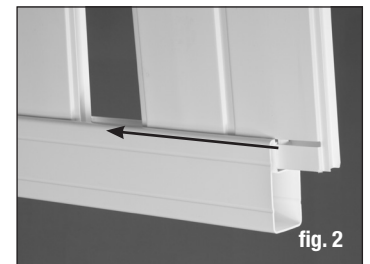


fig. 2



fig. 3

Step 2

- At the top of the panel assembly, slide the second rail over the top of the pickets (fig. 3). The panel assembly is now complete.

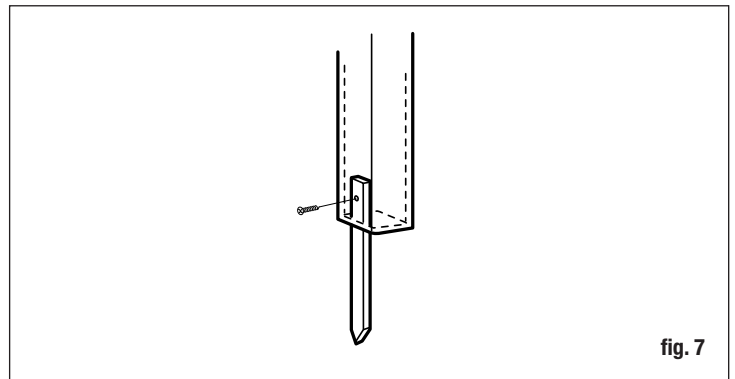
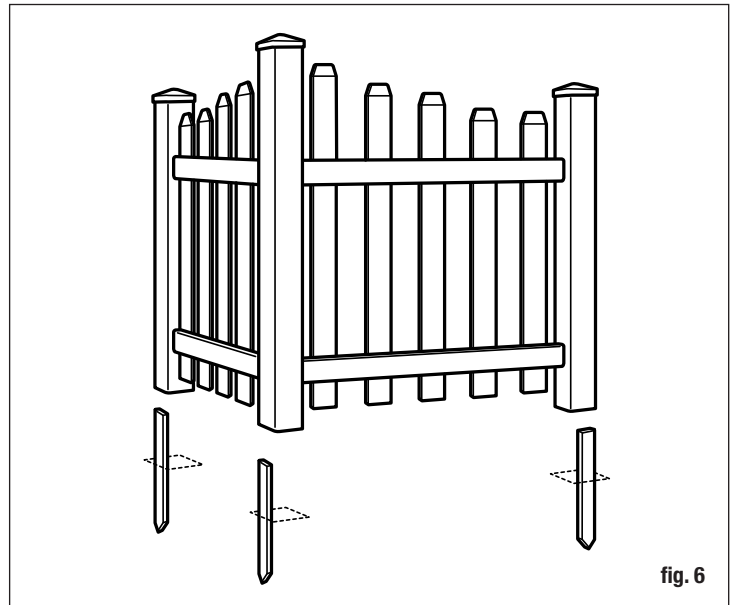
Step 3

- Slide one end of the top and bottom rail into the routed corner post. Slide the other end of the fence rail into routed end post. Repeat steps 1-3 for the other side of the fence.

PRIVACY ACCENT FENCE INSTALLATION INSTRUCTIONS, CONT.

Step 4

- Set fence in desired install location. Drive stakes into the ground, leaving six inches of the stake above the ground, at the outside edge of each post (about 1" offset).
- Pick up fence assembly and reposition posts so that stakes are located inside of posts (fig. 6).
- Attach each post to its corresponding stake by drilling through the post and into the wooden stake using a 7/8" screw (fig. 7).
- Finish by adding post caps to posts.



THE DIAGRAMS AND INSTRUCTIONS IN THIS BROCHURE ARE FOR ILLUSTRATION PURPOSES ONLY AND ARE NOT MEANT TO REPLACE A LICENSED PROFESSIONAL. ANY CONSTRUCTION OR USE OF THE PRODUCT MUST BE IN ACCORDANCE WITH ALL LOCAL ZONING AND/OR BUILDING CODES. THE CONSUMER ASSUMES ALL RISKS AND LIABILITY ASSOCIATED WITH THE CONSTRUCTION OR USE OF THIS PRODUCT. THE CONSUMER OR CONTRACTOR SHOULD TAKE ALL NECESSARY STEPS TO ENSURE THE SAFETY OF EVERYONE INVOLVED IN THE PROJECT, INCLUDING, BUT NOT LIMITED TO, WEARING THE APPROPRIATE SAFETY EQUIPMENT. EXCEPT AS CONTAINED IN THE WRITTEN LIMITED WARRANTY, THE WARRANTOR DOES NOT PROVIDE ANY OTHER WARRANTY, EITHER EXPRESS OR IMPLIED, AND SHALL NOT BE LIABLE FOR ANY DAMAGES, INCLUDING CONSEQUENTIAL DAMAGES.