

T343.502 Bath/Shower Trim Shown

**GENERAL DESCRIPTION:**

**SHOWERHEAD**

Single function 6" showerhead at maximum 2.5 gpm/9.5 L/min. flow rate.

**WALL TUB SPOUT**

Metal slip-on diverter spout.

**WALL VALVE TRIM**

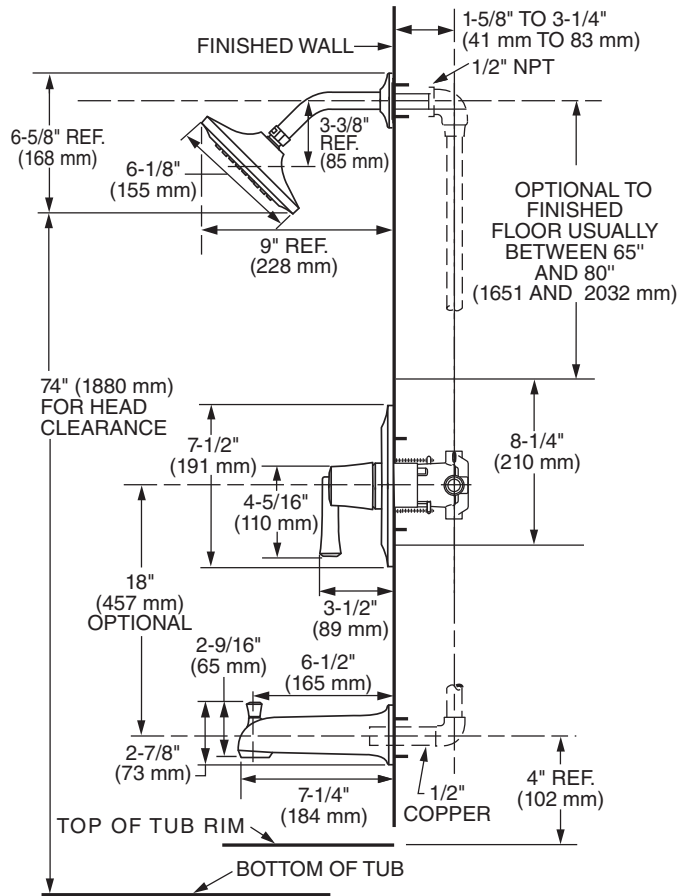
Available with metal lever handle.  
Brass wall escutcheon.

**MODEL NUMBER:**

**TRIM KITS:**

- T353.502 Townsend BATH/SHOWER Trim Kit**  
Metal lever handle. LESS valve body.
- T353.501 Townsend SHOWER ONLY Trim Kit**  
Metal lever handle. LESS valve body.
- T353.500 Townsend VALVE ONLY Trim Kit**  
Metal lever handle. LESS valve body.

**For use with R110 Series Pressure Balance Valves.**  
**See reverse side for available Rough Valves.**



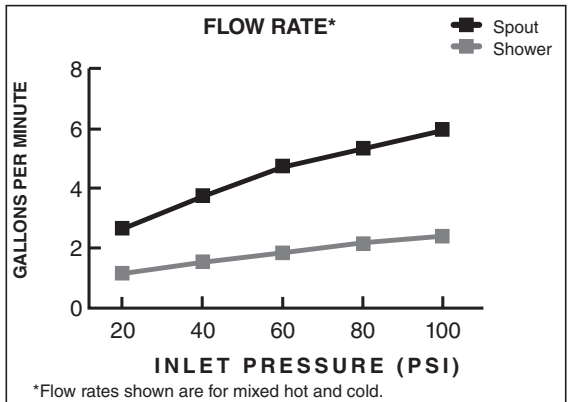
**SUGGESTED SPECIFICATION**

Bath/shower fitting shall feature brass square rain showerhead with Max. 2.5 gpm/9.5 L/min. flow rate. Fitting shall be: American Standard - Trim Kit Model # T353.50\_.\_ and Valve Body Model # R11\_.

**CODES AND STANDARDS**

These products meet or exceed the following codes and standards:

**ANSI A117.1 / ASSE 1016**  
**ASME A112.18.1 / CSA B125.1**



MODIFICATIONS		Parts Suffix*
IPS Spout		__IPT
Factory Installed Decal Ring (Red/Blue)		__WD

\*To modify a product, add suffix after the 4th digit (ex. T064ITP502.002)

TRIM KITS*	Product Number	Description		Finish Options			
				Polished Chrome	PVD Polished Nickel	Legacy Bronze	PVD Brushed Nickel
				002	013	278	295
	T353.502	Bath/Shower Trim Kit. Metal lever handle. Showerhead. LESS valve body.					
	T353.501	Shower Only Trim Kit. Metal lever handle. Showerhead. LESS valve body.					
	T353.500	Valve Trim Only. Metal lever handle. LESS valve body.					

ROUGH VALVE BODIES	Product Number	Description
	R111	Rough Valve Body less trim. Universal inlets/outlets.
	R111SS	Rough Valve Body less trim. Universal inlets/outlets with Screwdriver Stops.
	R110	Rough Valve Body less trim. Direct sweat inlets/outlets.
	R110SS	Rough Valve Body less trim. Direct sweat inlets/outlets with Screwdriver Stops.
	R115	Rough Valve Body less trim. Female Thread inlets/outlets.
	R115SS	Rough Valve Body less trim. Female Thread inlets/outlets with Screwdriver Stops.
	R117	Rough Valve Body less trim. PEX inlets/universal outlets for Crimp Ring PEX system (ASTM F1807).
	R117SS	Rough Valve Body less trim. PEX inlets/universal outlets for Crimp Ring PEX system (ASTM F1807) with Screwdriver Stops.
	R118	Rough Valve Body less trim. PEX inlets/universal outlets for Cold Expansion PEX system (ASTM F1960).
	R118SS	Rough Valve Body less trim. PEX inlets/universal outlets for Cold Expansion PEX system (ASTM F1960) with Screwdriver Stops.
	R119	Rough Valve Body less trim. CPVC inlets/universal outlets.
R119SS	Rough Valve Body less trim. CPVC inlets/universal outlets with Screwdriver Stops.	

Meets the American Disabilities Act Guidelines and **ANSI A117.1** Requirements for the physically challenged.