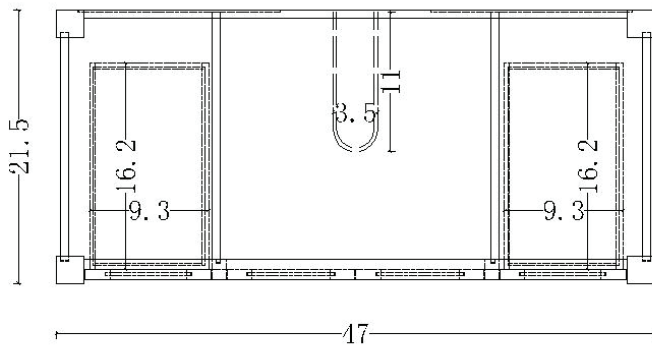
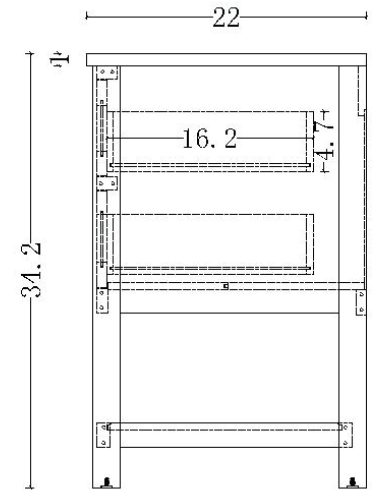
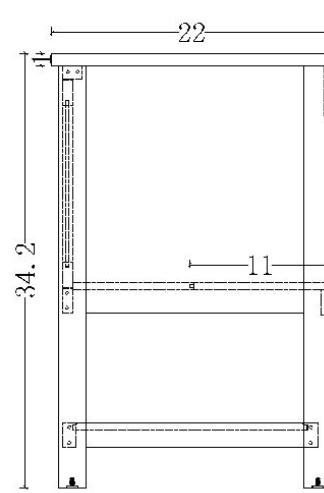
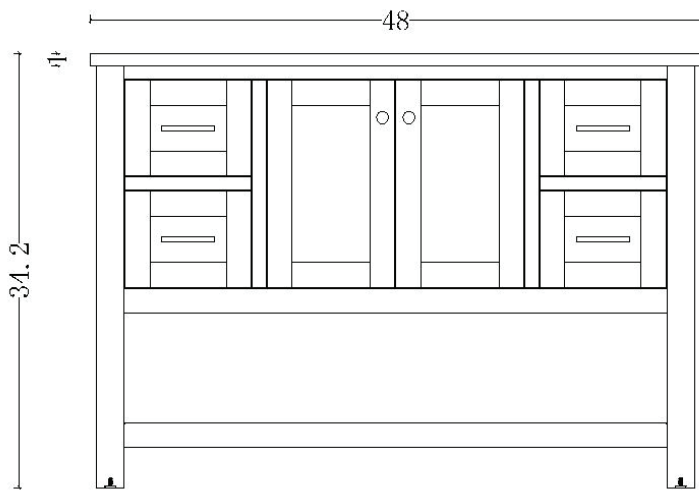
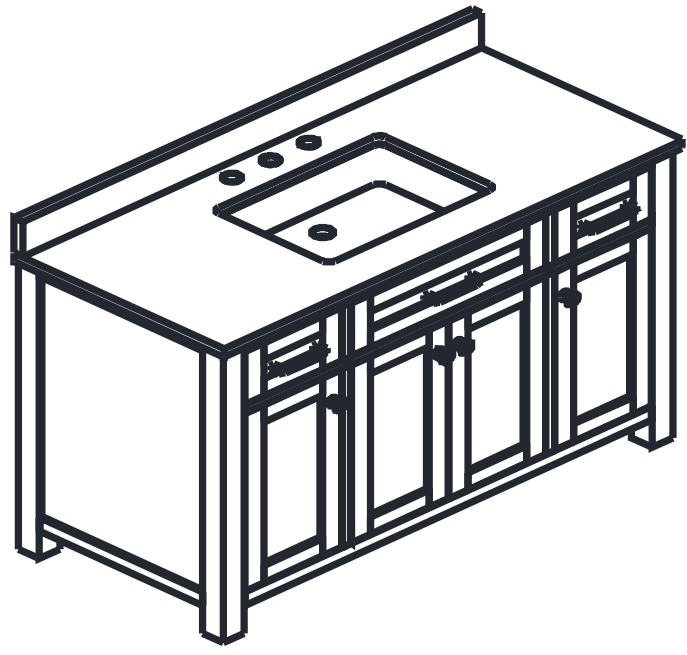
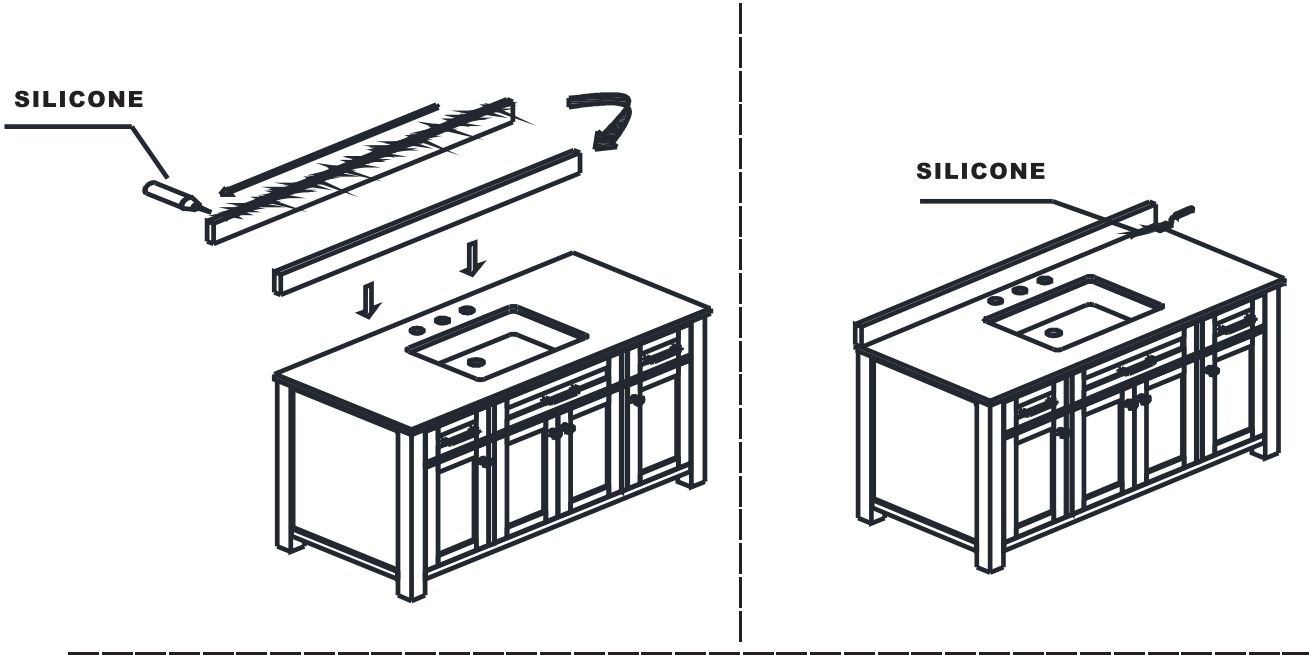
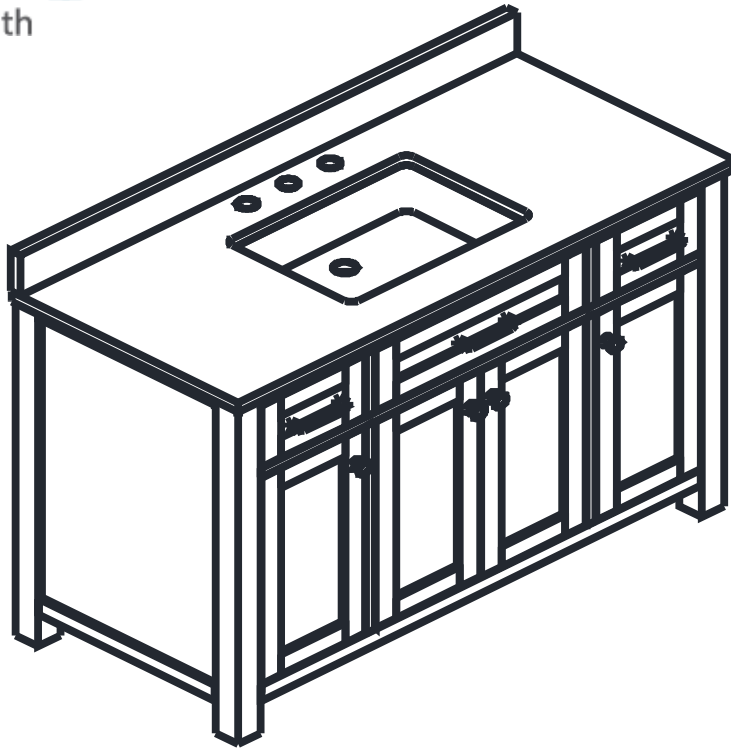


# Wilmington 48 in. Single Bathroom Vanity in Gray with Carrera Marble Top

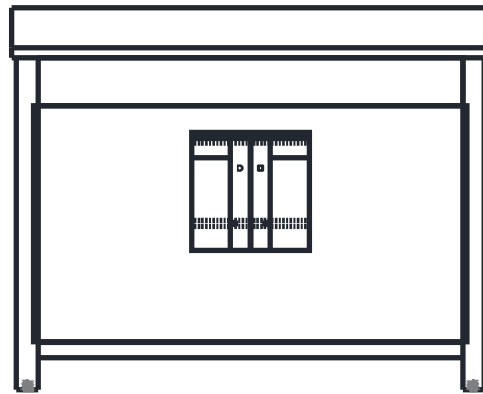
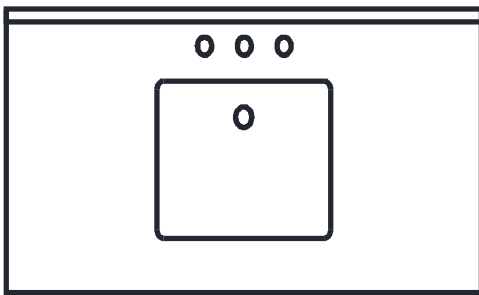


## BACK SPLASH INSTALLATION





**\*THE SKETCH IS FOR INSTALLATION ONLY,IT MAY NOT MATCH TO THE PRODUCTS INSIDE THE CARTON.**



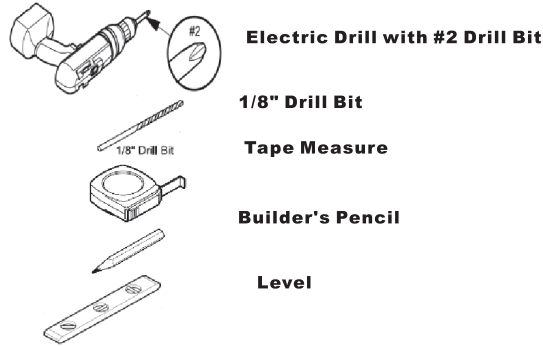
## Installation Manual

- .carefully read the instructions before starting the installation.**
- .This vanity should be installed by an experienced plumber.**
- .Drain pipe and drain trap are not supplied. Connect to an existing drain pipe.**

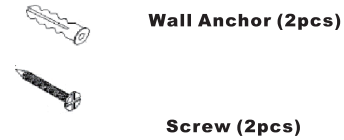
## MIRROR INSTALLATION

\*THE SKETCH IS FOR INSTALLATION ONLY, IT MAY NOT MATCH TO THE PRODUCTS INSIDE THE CARTON.

### Tools for Assembly (Not Included)

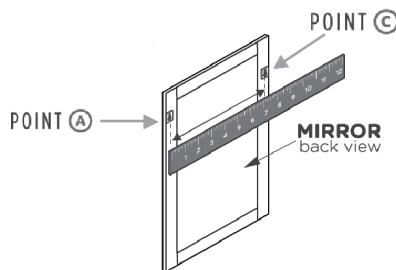


### Supplies (Included in Package)



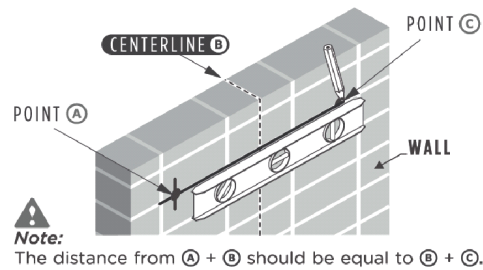
1.

Flip the mirror over and measure the distance between point A and C.



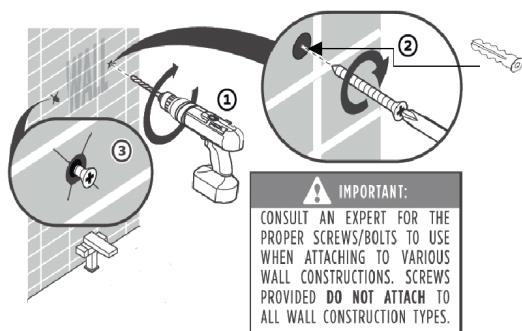
2.

Mark the measured distance between point A to point C on the wall by using a level.



3.

Once position is marked, drill 2 holes and insert the wall anchors and screws.



4.

Hang mirror on the wall.

