

URINAL K-4920-T

ADA

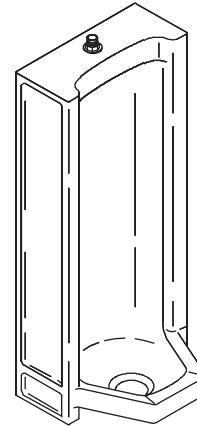
Features

- Vitreous china
- Washout stall
- 3/4" top spud
- 0.5 gpf (1.9 lpf) or 1.0 gpf (3.8 lpf)

Codes/Standards Applicable

Specified model meets or exceeds the following:

- ADA
- ICC/ANSI A117.1
- ASME A112.19.2/CSA B45.1



Colors/Finishes

- 0: White
- Other: Refer to Price Book for additional colors/finishes

Accessories

- 0: White
- CP: Polished Chrome
- NA: None applicable
- Other: Refer to Price Book for additional colors/finishes

Specified Model

Model	Description	Colors/Finishes	
K-4920-T	3/4" top spud stall urinal	<input type="checkbox"/> 0	<input type="checkbox"/> Other_____

Recommended Accessories			
K-9172	Strainer with china grate	<input type="checkbox"/> NA	
K-9183	Strainer with stainless steel beehive grate	<input type="checkbox"/> NA	
K-10675	WAVE exposed washout urinal flushometer – 0.5 gpf (1.9 lpf)		<input type="checkbox"/> CP
K-10676	WAVE exposed washout urinal flushometer – 1.0 gpf (3.8 lpf)r		<input type="checkbox"/> CP
K-10958	Touchless DC washout urinal flushometer – 0.5 gpf (1.9 lpf)		<input type="checkbox"/> CP
K-10960	Touchless DC washout urinal flushometer – 1.0 gpf (3.8 lpf)		<input type="checkbox"/> CP
K-13518	Manual washdown urinal flushometer – 1.0 gpf (3.8 lpf)		<input type="checkbox"/> CP
K-13519	Manual washdown urinal flushometer – 0.5 gpf (1.9 lpf)		<input type="checkbox"/> CP

Product Specification

Washout stall urinal shall be made of vitreous china with a 3/4" top spud. Urinal shall use 0.5 gpf (1.9 lpf) or 1.0 gpf (3.8 lpf). Urinal shall be Kohler Model K-4920-T-_____.

BRANHAM™

Optional Accessories

K-4931	Seam cover [for urinal set on 21" (533 mm) centers]	<input type="checkbox"/> 0	<input type="checkbox"/> Other_____
K-4932	Seam cover [for urinal set on 24" (610 mm) centers]	<input type="checkbox"/> 0	<input type="checkbox"/> Other_____
K-13686	Touchless battery-powered urinal flushometer, fixture mounted	<input type="checkbox"/> G	

Technical Information

Fixture:	
Configuration	Top spud
Water per flush	0.5 gal (1.9 L) or 1.0 gal (3.8 L)*
Spud inlet size	3/4"
* Designed to flush with 0.5 gal (1.9 L) or 1.0 gal (3.8 L) of water when installed with a water-saving flushometer.	

Included components:

Spud	18774
------	-------

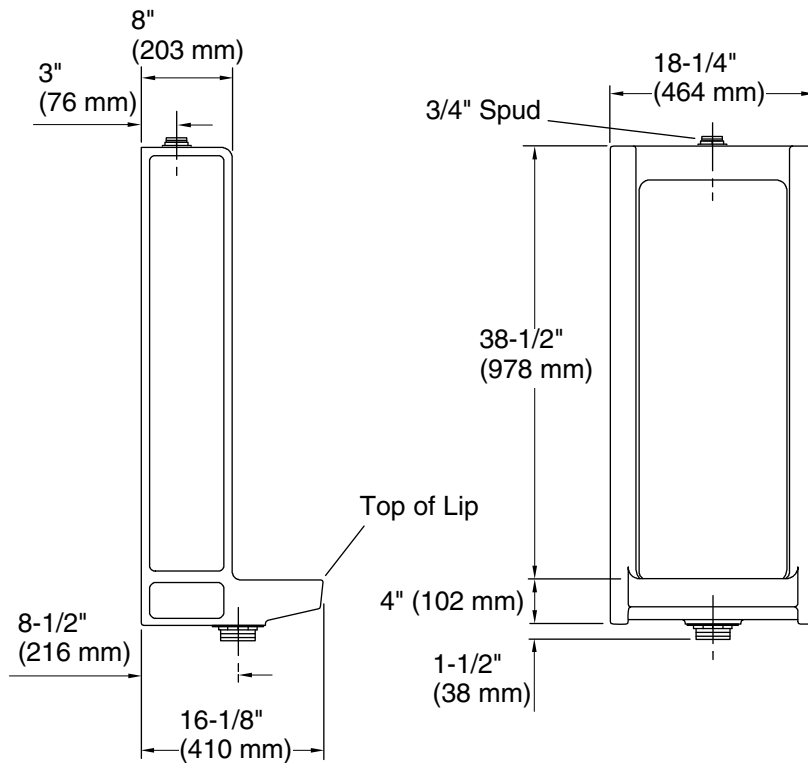
Installation Notes

Install this product according to the installation guide.

For proper drainage, install lip of urinal below floor level.

Refer to manufacturer's instructions and local codes for flushometer requirements.

Will comply with **ADA, ICC/ANSI A117.1** when installed per Section 605 Urinals of the Act.



Product Diagram