

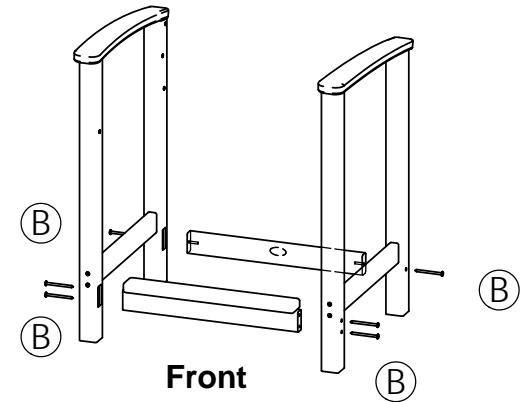
MODEL: 9011-12

- (2) Side frames RH/LH
- (1) Seat assembly
- (1) Back assembly
- (1) Medallion brace
- (1) Foot rest
- (1) Hardware pack

## STEP 1

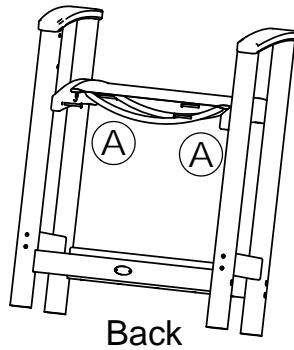
Attach foot rest and brace into pockets on side frames using (6) 3" screws.

**Do not tighten screws until last step.**

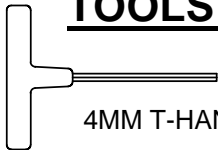


## STEP 2

Attach seat assembly to side frames using (4) 1-3/4 bolts.



## TOOLS NEEDED

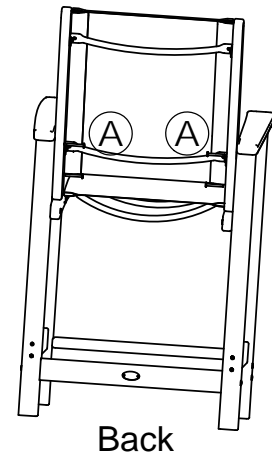


4MM T-HANDLE HEX KEY (INCLUDED)

## STEP 3

Attach back assembly to side frames using (4) 1-3/4 bolts.

**Tighten all screws.**



QTY	DESCRIPTION
8	A - 1/4-20 X 1-3/4 WAFER SHCS
6	B - .27 X 3 SOCKET WAFER "A"

