

**EVERBILT**

TM

Item #1001 092 236

1001 092 238

1001 092 241

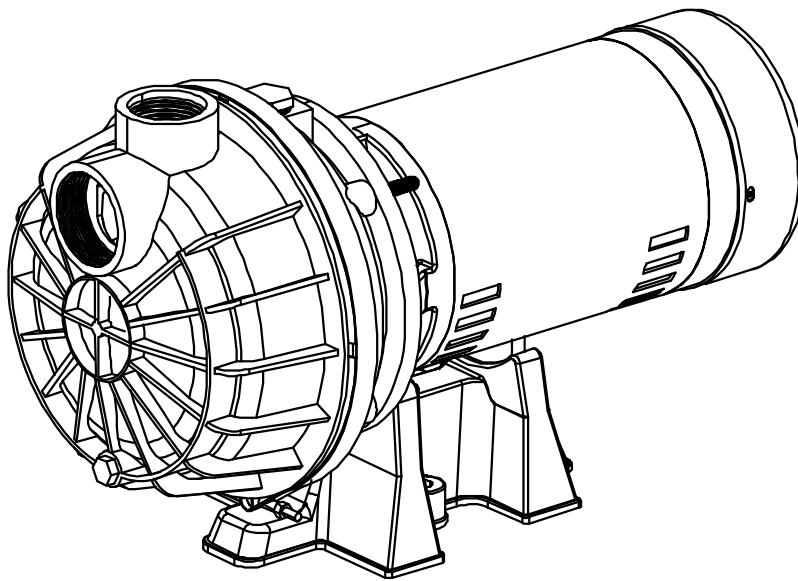
Model #EFLS10-HD

EFLS15-HD

EFLS20-HD

# USE AND CARE GUIDE

## PLASTIC LAWN SPRINKLER PUMP



Questions, problems, missing parts? Before returning to the store,  
call Everbilt Customer Service  
8 a.m. - 6 p.m., EST, Monday-Friday

**1-844-883-1872**

**HOMEDEPOT.COM**

### **THANK YOU**

*We appreciate the trust and confidence you have placed in Everbilt through the purchase of this pump. We strive to continually create quality products designed to enhance your home. Visit us online to see our full line of products available for your home improvement needs. Thank you for choosing Everbilt!*

# Table of Contents

Table of Contents.....	2	Lawn Sprinkling Application .....	6
Safety Information.....	2	Pump/Piping Installation .....	6
Warranty .....	3	Electrical Settings.....	7
Pre-installation .....	3	Wiring Connections .....	7
Installation .....	5	Operation .....	8
Well Pipe Installation .....	5	Care and Cleaning .....	9
Cased Well/Dug Well Installation .....	5	Troubleshooting.....	10
Driven Point Installation.....	5	Service Parts .....	11
Surface Water Installation.....	6		
Pipe from Well to Pump .....	6		

## Safety Information

### READ AND UNDERSTAND THIS MANUAL BEFORE YOU OPERATE THIS PUMP

1. Avoid Pressure Burns/Explosion
  2. Avoid Electric Shock
- **Fill the pump with water.** Ensure the pump body and suction pipe is filled with water completely.
  - **Motor's Electrical Settings:** Set the motor to the proper voltage (voltage supplied to the pump).

### IMPORTANT SAFETY INSTRUCTIONS

SAVE THESE INSTRUCTIONS – This manual contains important instructions that must be followed during installation, operation, and maintenance of this pump. Also familiarize yourself with the following safety symbols and their meanings:



**DANGER:** Indicates a hazard which, if not avoided, will result in death or serious injury.



**WARNING:** Indicates a hazard which, if not avoided, could result in death or serious injury.



**CAUTION:** Indicates a hazard which, if not avoided, could result in minor or moderate injury.

**NOTICE:** Addresses practices not related to personal injury.

Carefully read and follow all safety instructions in this manual and on the pump.

Keep safety labels in good condition. Replace missing or damaged safety labels.



**WARNING:** Risk of explosion. The pump body may explode if used as a booster pump.



**CAUTION:** Risk of burns. Do not touch an operating motor. Motors are designed to operate at high temperatures. To avoid burns when servicing the pump, allow it to cool for 20 minutes after shut down before handling.



**CAUTION:** Do not allow the pump or any system component to freeze. To do so will void the warranty.



**CAUTION:** Only use this pump to pump water.



**CAUTION:** Periodically inspect pump and system components.



**CAUTION:** Wear safety glasses at all times when working on pumps.



**WARNING:** Do not use this pump for water pressure booster applications. The pump housing is rated for 55 PSI MAX.

# Warranty

The manufacturer warrants to the original consumer purchaser (“Purchaser” or “You”) that its products are free from defects in material and workmanship for a period of twelve (12) months from the date of the original consumer purchase. If, within twelve (12) months from the original consumer purchase, any such product shall prove to be defective, it shall be repaired or replaced at the manufacturer’s option, subject to the terms and conditions set forth herein. Note that this limited warranty applies to manufacturing defects only and not to ordinary wear and tear. All mechanical devices need periodic parts and service to perform well. This limited warranty does not cover repair when normal use has exhausted the life of a part or the equipment.

The original purchase receipt and product warranty information label are required to determine warranty eligibility. Eligibility is based on purchase date of original product – not the date of replacement under warranty. The warranty is limited to repair or replacement of original purchased product only, not replacement product (i.e. one warranty replacement allowed per purchase). Purchaser pays all removal, installation, labor, shipping, and incidental charges.

For parts or troubleshooting assistance, DO NOT return the product to your retail store - contact Everbilt Customer Service at 1-844-883-1872.

Claims made under this warranty shall be made by returning the product (except sewage pumps, see below) to the retail outlet where it was purchased or to the factory immediately after the discovery of any alleged defect. The manufacturer will subsequently take corrective action as promptly as reasonably possible. No requests for service will be accepted if received more than 30 days after the warranty expires. Warranty is not transferable and does not apply to products used in commercial/rental applications.

# Pre-installation

## BEFORE YOU INSTALL THIS PUMP



**WARNING:** Risk of explosion. Do not ground to a gas supply line. The pump body may explode if used as a booster pump or other than a lawn sprinkling application.



**CAUTION:** Risk of burns. Do not touch an operating motor. Motors are designed to operate at high temperatures. It is protected from heat damage during operation by an automatic internal cutoff switch. To avoid burns when servicing the pump, allow it to cool for 20 minutes after shut down before handling.

- The pump’s water suction inlet must not be more than 20 ft. above the water level.
- Long runs and many fittings increase friction and reduce water flow to the pump. Locate the pump as close to the water source as possible. Use as few elbows and fittings as possible. Ensure the suction line is straight and angles up toward the pump.
- Ensure the well and pipe are clear of sand, dirt, and scale. Foreign matter will plug the pump and void the warranty. Use new pipe for best results.
- Protect the pump and all piping from freezing.
- Freezing will split pipe, damage the pump and void the warranty. Check locally for frost protection requirements. The pump cannot be installed below the frost line and the pump must be insulated.
- Foot or check valves (not included) must be installed in the suction pipe to optimize pump suction.
- Ensure all pipes and valves are clean and in good shape.
- Ensure there are no air pockets in the suction pipe.
- Ensure there are no leaks in the suction pipe. Use Teflon tape or other approved sealants to seal pipe joints.
- Unions installed near the pump and well will aid in servicing. Leave room to use wrenches.

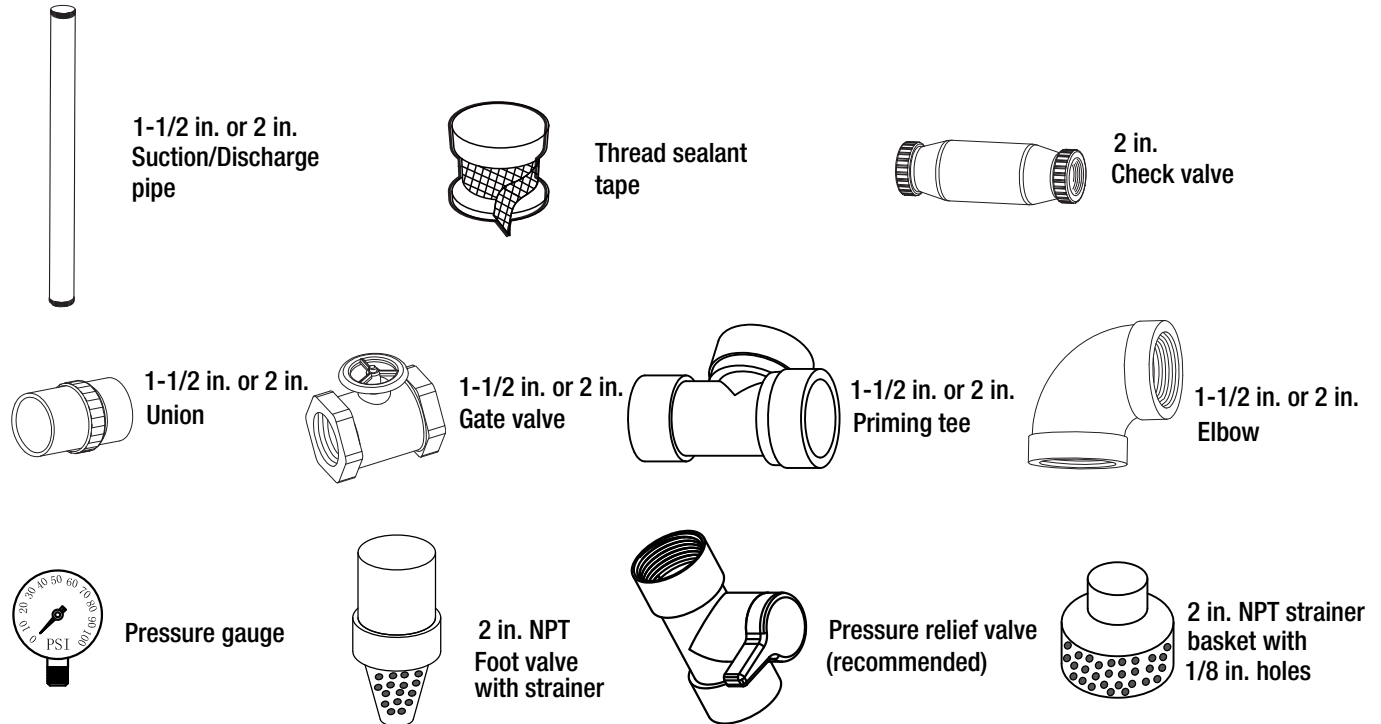
# Pre-installation (continued)

## PERFORMANCE DATA

SKU	HP	Inlet	Outlet	DISTANCE OF PUMP ABOVE WATER	DISCHARGE PRESSURE				
					10	20	30	40	50
					GALLONS PER MINUTE				
1001 092 236	1	2 in. Min	1 1/2 in.	5 ft.	56	45	31	17	--
				10 ft.	49	42	28	12.5	--
				15 ft.	48	39	24	8	--
				20 ft.	45	37	20	--	--
1001 092 238	1 1/2	2 in. Min	1 1/2 in.	5 ft.	67	61	48	33	--
				10 ft.	61	56	45	26	--
				15 ft.	56	54	44	20	--
				20 ft.	46	44	37	11	--
1001 092 241	2	2 in. Min	2 in.	5 ft.	83	71	56	41	17
				10 ft.	77	67	54	36	8
				15 ft.	76	65	50	32	--
				20 ft.	75	62	48	28	--

## MATERIALS REQUIRED (NOT INCLUDED)

Before using this pump, ensure you have the appropriate items based on the installation technique from the following pages.



Note: Please select suitable materials based on inlet and outlet size.(see page 4)

**IMPORTANT:** Do not use pipe or fittings on suction side of pump less than 2 in.! This will restrict suction and reduce priming ability and performance.

# Installation

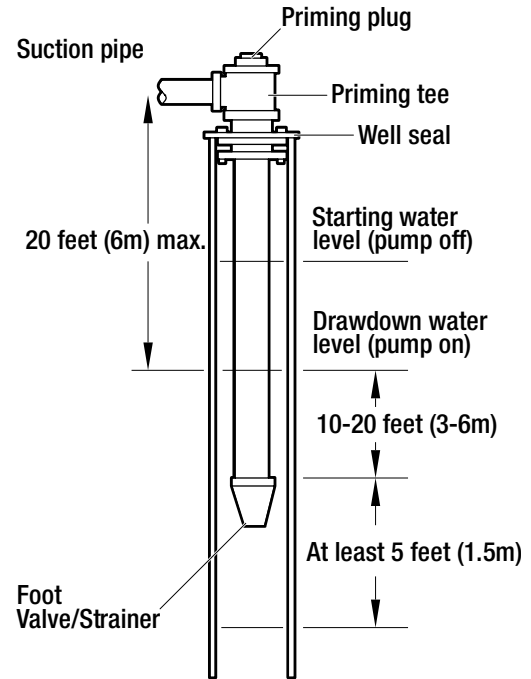
**NOTICE:** It is recommend that pump be installed in well ventilated enclosure.

## WELL PIPE INSTALLATION

Use the installation methods provided in this chapter that match with your water source.

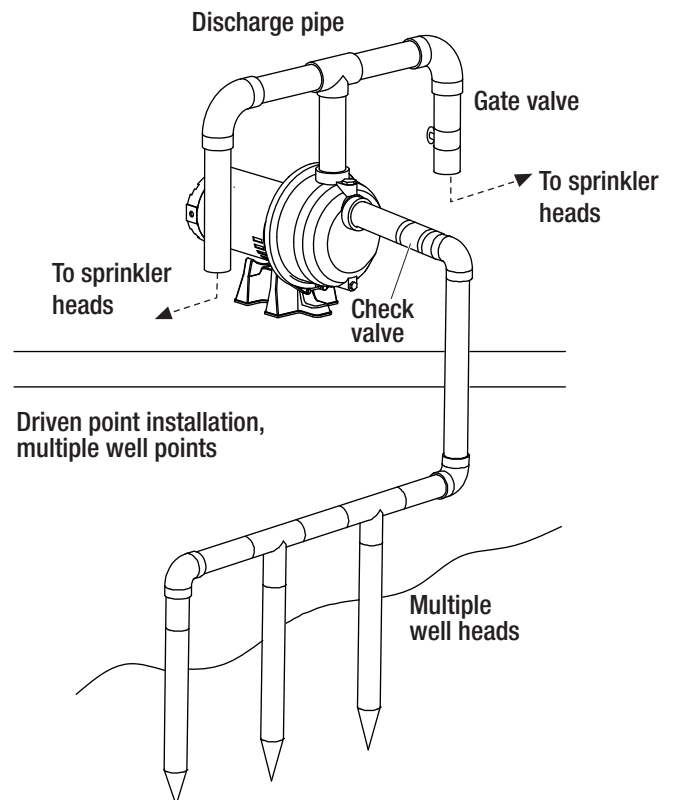
### CASED WELL/DUG WELL INSTALLATION

1. Inspect the foot or in line check valve to be sure it works freely. Inspect the strainer to be sure it is clean and secure.
2. If using a foot valve, connect the foot valve and strainer to the first length of suction pipe and lower the pipe into the well. Add sections of pipe as needed, using Teflon tape on the male threads. Use 2 in. pipe for suction pipe. Be sure all suction pipe is leak proof or the pump will lose prime and fail to pump. Install foot valve 10 to 20 ft. (3 to 6 m) below the lowest level to which water will drop while the pump is operating (pumping water level). Your well driller can furnish this information.
3. To prevent sand and sediment from entering the pumping system, a foot valve/strainer should be at least 5 ft. (1.5 m) above the bottom of the well.
4. When proper depth is reached, install a sanitary well seal over the pipe and in the well casing. Tighten bolts to the seal casing.
5. When using a foot valve, a priming tee and plug are recommended.



### DRIVEN POINT INSTALLATION

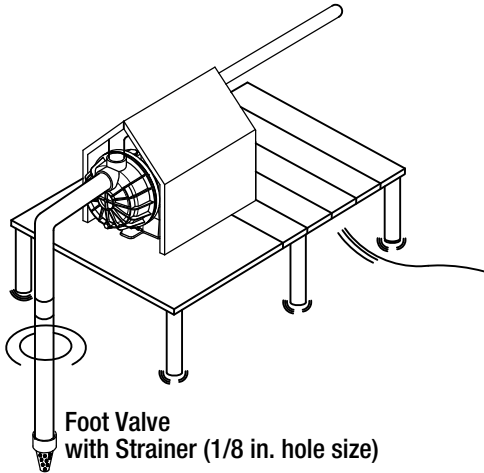
1. Connect suction pipe to the drive point. Keep the horizontal pipe run as short as possible. Use Teflon tape on male pipe threads. Multiple well points may be necessary to provide sufficient water to the pump.
2. Install a check valve in the horizontal pipe. The flow arrow on the check valve must point toward the pump.



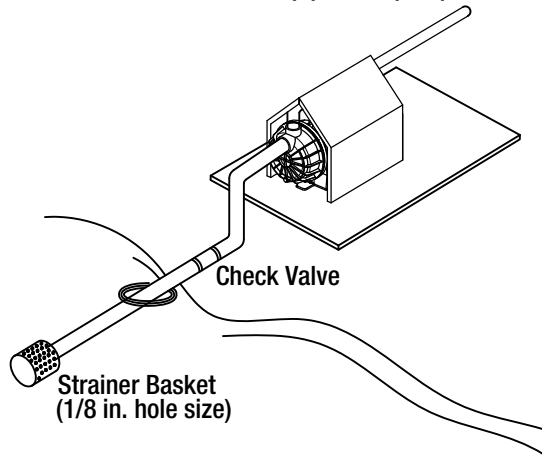
# Installation (continued)

## SURFACE WATER INSTALLATION

- Vertical from surface water to pump  
Foot valve with strainer (1/8 in. hole size) attached to PVC pipe.



- Horizontal from surface water to pump
  1. Strainer (1/8 in. hole size) and/or strainer basket installed at end of PVC suction pipe.
  2. Install check valve in PVC pipe near pump.



## PIPE FROM SOURCE TO PUMP

Pump performance will be decreased if the pipe diameter is less than the inlet size of the pump. In proper installation, the pipe size equals the inlet size.

To aid priming, install a check valve or foot valve, depending on the installation configuration as shown above. Be sure the check valve flow arrow points toward the pump.

## PIPE FROM PUMP TO END USE APPLICATION

Pipe from pump to sprinkler heads discharge pipe size should be increased to reduce pressure losses caused by friction on long pipe runs:

- Up to 100 ft. (30.5 m) run: Same size as pump discharge port.
- 100 ft. – 300 ft. (30.5 – 91.4 m) run: Increase one pipe size.
- 300 ft. – 600 ft. (91.4 – 182.9 m) run: Increase two pipe sizes.

## LAWN SPRINKLING APPLICATION

This pump is designed for lawn irrigating system. When properly installed it will deliver adequate water and pressure from any of the described sources.

## PUMP/PIPING INSTALLATION

If turning the pump on and off by pressure, a pressure switch and tank are required. For proper installation and operation instructions call Customer Service.

## USE NEW PIPE FOR BEST RESULTS

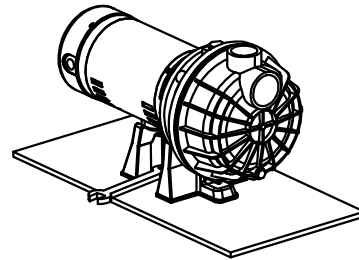
Use rigid pipe. Do not use hose or plastic tubing. See “Well Pipe Installation” for more information.

Use only PTFE pipe thread sealant tape to joint compounds for making all threaded connections to the pump itself.

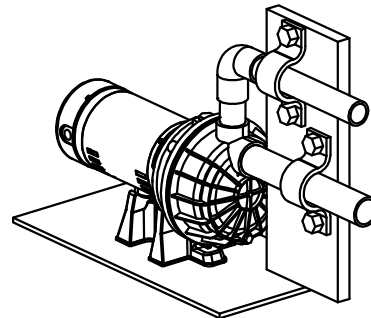
**Do not use pipe joint compounds on plastic pumps as they can react with the plastic in pump components.**

**Make sure that all pipe joints in the suction pipe are air tight as well as water tight.** If the suction pipe has any leak, the pump will not be able to pull water from the well.

1. Bolt the pump to solid, level foundation.



2. Support all piping connected to the pump.



3. Wrap 1-1/2 to 2 layers of Teflon tape clockwise (as you face the end of the pipe) on all male threads being attached to pump.
4. Tighten joints hand tight plus 1-1/2 turns. Do not overtighten.
5. Replace the prime plug with a pressure gauge. This will aid in sizing zones, troubleshooting, and following the pump performance chart.



**NOTE:** For long horizontal pipe runs, install a priming tee between the check valve and well head. See the figure in the Cased Well/Dug Well Installation section for further reference.

# Electrical Settings



**WARNING:** Disconnect power before working on the pump, motor, pressure switch, or wiring.



**CAUTION:** The motor may be hot. Allow the motor to cool for 20 minutes after shut down.



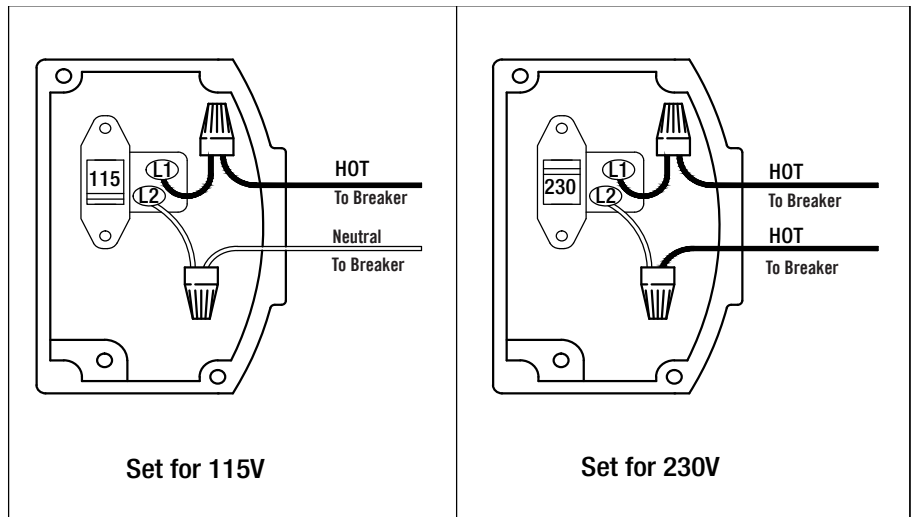
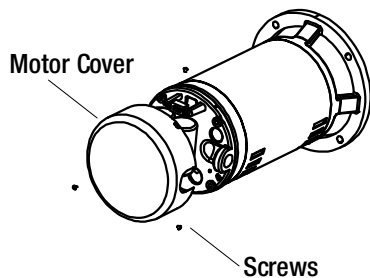
**CAUTION:** Water pressure may have built up in the pump, pipes, or tank. Drain water to relieve pressure.

## MOTOR VOLTAGE SETTINGS

Motors are designed to run on either 115 volt or 230 volt power.

Ensure the motor's voltage is set to match the voltage being supplied to your motor from the electrical source.

To set your motor to the correct voltage, first remove the rear motor cover plate. Next slide the voltage conversion switch to the correct voltage.



## Wiring Connections

**WARNING:** Risk of electric shock. Can shock, burn, or kill.



1. To avoid dangerous or fatal electrical shock, turn OFF power to the motor before working on electrical connections.
2. Ground the motor before connecting to electrical power supply. Failure to ground the motor can cause severe or fatal electrical shock hazard.
3. Supply voltage must be within +/- 10% of the nameplate voltage. Incorrect voltage can cause fire or damage the motor and voids the warranty. If in doubt consult a licensed electrician.
4. Use a wire size specified in the Wiring Chart (below). If possible, connect the pump to a separate branch circuit with no other appliances on it.
5. Do not ground to a gas supply line.
6. Set the motor according to the diagram on the motor cover plate.
7. If the diagram on the motor cover plate differs from the diagrams in this section, follow the diagram on the motor cover plate.
8. If this procedure or the wiring diagrams are confusing, consult a licensed electrician.

# Operation

## RECOMMENDED WIRE AND FUSE SIZES FOR 115 AND 230 VOLTS

MOTOR HP	VOLTS	FULL LOAD AMP	BRANCH FUSE/ BREAKER RATING AMP	AWG MIN. WIRE SIZE (mm <sup>2</sup> )	DISTANCE IN FEET FROM MOTOR TO SUPPLY				
					0-100	101-200	201-300	301-400	401-500
					AWG WIRE SIZE (mm <sup>2</sup> )				
1	115/230	18.5/9.25	30/15	10/14 (5.5/2)	10/14 (5.5/2)	8/14 (2/2)	6/14 (14/2)	6/12 (14/3)	4/10 (21/5.5)
1-1/2	115/230	22/11	30/15	10/14 (5.5/2)	10/14 (5.5/2)	8/14 (8.4/2)	6/12 (14/3)	4/10 (21/5.5)	4/10 (21/5.5)
2	115/230	27.0/13.5	35/20	8/12 (8.9/3)	8/12 (8.9/3)	8/12 (8.4/3)	6/10 (14/5.5)	4/10 (21/5.5)	4/10 (21/5.5)

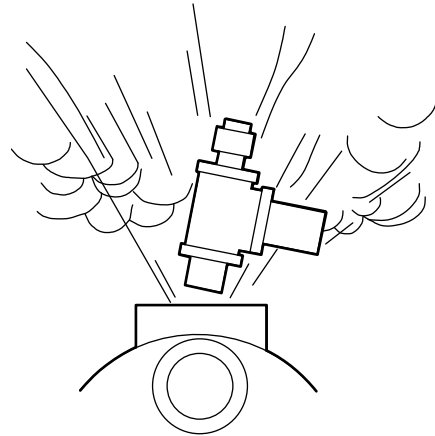


**WARNING:** Hazardous Pressure. Install a pressure relief valve in the discharge pipe. Release all pressure on the system before working on any component.



**WARNING:** Risk of explosion and scalding. NEVER run the pump against a closed discharge. To do so can boil water inside the pump, causing hazardous pressure in the unit, risk of explosion, and possibly scalding persons handling the pump. Replace the priming plug with a pressure gauge to monitor the pressure so that it is not allowed to exceed the maximum pumping pressures according to the performance chart.

To prevent explosion be sure the discharge (valve, pistol grip hose nozzle, etc.) is open whenever the pump is running. Monitor the pump body and piping temperature. The motor will warm up; this is normal. If the pump body or piping begins to feel warm to the touch, shut off the pump and allow the system to cool. Release all pressure in the system and refill the pump and piping with cold water.



## PRIMING THE PUMP

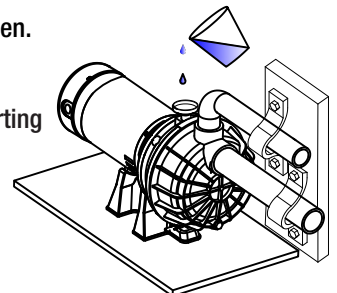
Priming refers to pump expelling all air in the system and beginning to move water from its source out into the system. It does not refer only to pouring water into the pump (although pouring water in is usually the first step).



**CAUTION:** Risk of burns. NEVER run the pump dry. Running the pump without water may cause the pump to overheat, damaging the seal and possibly causing burns to persons handling the pump. Fill the pump with water before starting.

1. Remove the priming plug.
2. Make sure suction and discharge valves and any hoses on the discharge side of the pump are open.
3. Fill the pump and suction pipe with water.

Fill pump  
before starting



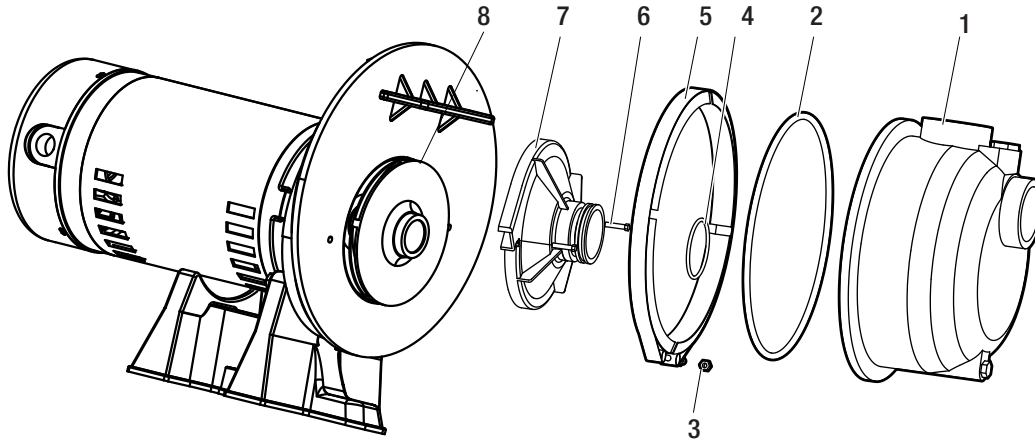
4. Replace the priming plug using Teflon tape on the threads. Tighten the plug. If the priming tee and plug have been provided for the long horizontal run, fill the suction pipe through this tee and replace the plug. (Use Teflon tape on plug.)
5. Start the pump. Water should be produced in 10 minutes or less. The time depends on the depth to the water (not more than 20 ft. (6 m)) and length of horizontal run (10 ft. (3 m)) of horizontal suction pipe = 1 ft. ((30.5cm) of vertical lift due to friction losses in pipe). If no water is produced within 10 minutes, stop the pump, release all pressure, remove the priming plug, refill, and try again.



## Care and Cleaning

To clear a pump clogged with debris:

1. Unplug the pump from electrical power.
2. Remove the nut (3).
3. Remove the clamp (5), O-ring (2), O-ring (4) and volute (1).
4. Remove screws (6) fastening the diffuser (7) to the seal plate and remove the diffuser (7).
5. Remove debris from around the impeller (8).
6. Reassemble the pump.



## Maintenance

Pump should have adequate ventilation to prevent overheating. Bearings do not require lubrication as they are permanently lubricated from factory.

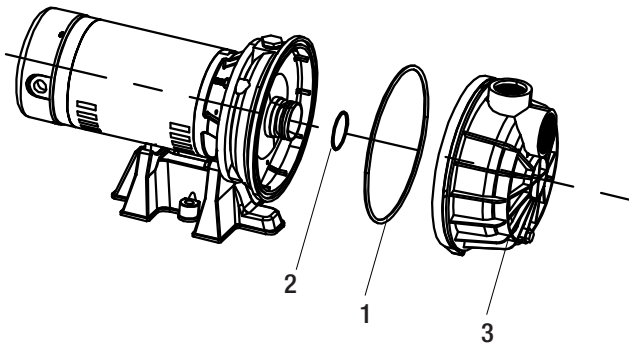
## Winterization

Do not allow pump or pipes to freeze. Drain system before freezing temperatures are expected. To drain, remove plug from discharge tee and remove plug from bottom front of pump. All piping should be drained to below frost line.

# Troubleshooting

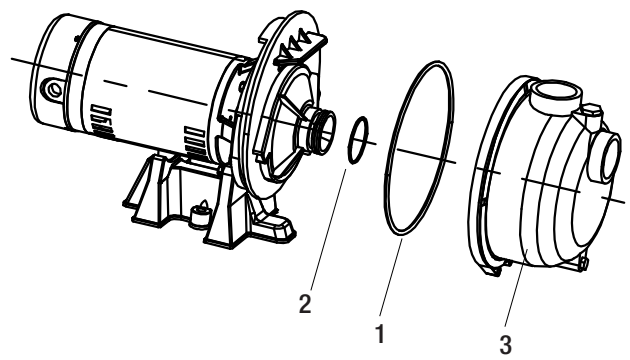
Problem	Probable Cause	Corrective Action
The motor will not run.	The disconnect switch is off.	Ensure the switch is on.
	The fuse is blown or circuit breaker tripped.	Replace the fuse or reset the circuit breaker.
	The pressure switch is defective.	DISCONNECT POWER; Replace the pressure switch.
	The wires at the motor are loose, disconnected, or wired incorrectly.	Refer to the Wiring instructions. DISCONNECT POWER; check and tighten all wiring.
The motor runs hot and overload kicks off or the motor does not run and only hums.	The motor is wired incorrectly.	Refer to the Wiring instructions.
	The voltage is too low.	Check with the power company. Install heavier wiring if the wire size is too small (See the chart in the Wiring section).
The motor runs but no water is delivered.  *Stop the pump; then check the prime before looking for other causes. Unscrew the priming plug and see if water is in the priming hole.	The pump was not primed correctly.	Re-prime according to instructions.
	There are air leaks.	Check all connections on the suction line and shaft seal and AVC with shaving cream.
	The foot valve or check valve is leaking.	Replace the foot valve or check valve.
	The pipe size is too small.	Re-pipe using the size of suction and discharge ports on the pump.
	The water level is below the suction pipe inlet.	Lower the suction line into the water and re-prime. If receding water level in the well exceeds 25 ft. (7.6M), a deep well pump is needed.
	The impeller is plugged.	Clean the impeller.
	The check valve or foot valve is stuck shut.	Replace the check valve or foot valve.
	The pipes are frozen.	Thaw pipes. Bury the pipes below the frost line. Heat pit or pump
The pump does not deliver water to full capacity.	The foot valve and/or strainer are buried in sand or mud.	Raise foot valve and/or strainer above bottom of water source.
	The water level in the well is lower than estimated.	A deep well jet will be needed if your well is more than 25 ft. (7.6M) depth to water.
	The steel piping (if used) is corroded or limed, causing excess friction.	Replace with plastic pipe where possible, otherwise with new steel pipe.
	The piping is too small in size.	Use larger piping.
The pump is not being supplied with enough water.	The pump is not being supplied with enough water.	Add additional well points.
The pump leaks around the clamp.	The clamp is loose.	STOP THE PUMP. Tighten the clamp nut 1-2 turns. Alternately tighten and tap on the clamp with a mallet to seat the O-ring. Do not overtighten.

# Service Parts



**1HP-1-1/2HP MODELS**

Part	QTY	Part Number	Description
1	1	HDEFLS104	O-ring
2	1	HDEFLS111	O-ring
3	1	HDEFLS108	Volute



**2HP MODEL**

Part	QTY	Part Number	Description
1	1	HDEFLS205	O-ring
2	1	HDEFLS209	O-ring
3	1	HDEFLS211	Volute

# EVERBILT

TM

Questions, problems, missing parts? Before returning to the store,  
call Everbilt Customer Service  
8 a.m. - 6 p.m., EST, Monday-Friday

**1-844-883-1872**

**HOMEDEPOT.COM**

Retain this manual for future use.

Núm. de artículo 1001-092-236

1001-092-238

1001-092-241

Núm. de modelo EFLS10-HD

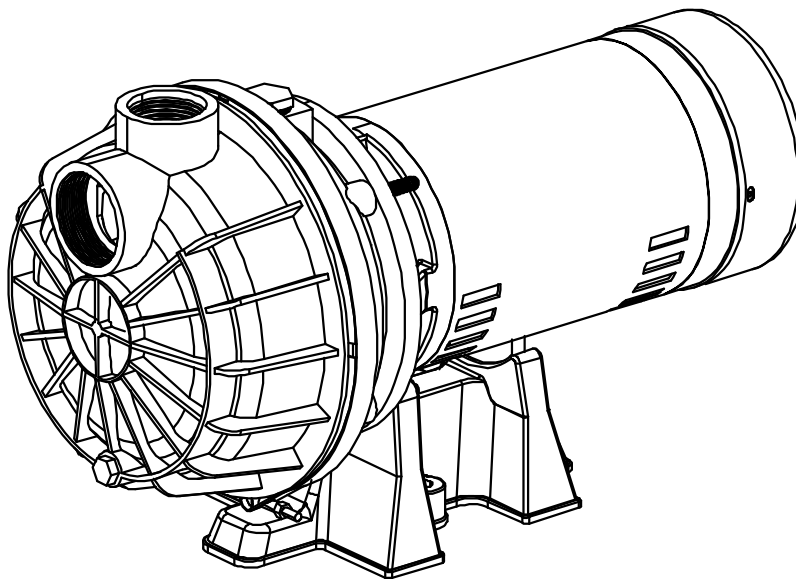
EFLS15-HD

EFLS20-HD

**EVERBILT**<sup>TM</sup>

# GUÍA DE USO Y CUIDADO

## BOMBA ASPERSORA DE PLÁSTICO



¿Tiene preguntas, problemas o faltan piezas? Antes de regresar a la tienda,  
llame a Servicio al Cliente de Everbilt  
de lunes a viernes de 8 a.m. a 6 p.m., hora local del Este

**1-844-883-1872**

**HOMEDEPOT.COM**

### **GRACIAS**

*Apreciamos la confianza que ha depositado en Everbilt por la compra de esta bomba. Nos esforzamos por crear continuamente productos de calidad diseñados para mejorar su hogar. Visítenos en internet para ver nuestra línea completa de productos disponibles para sus necesidades de mejorar su hogar. ¡Gracias por elegir a Everbilt!*

# Tabla de contenido

Tabla de contenido .....	2
Información de seguridad .....	2
Garantía .....	3
Pre-instalación .....	4
Instalación.....	5
Instalación de la tubería del pozo .....	5
Instalación de pozo con caja/cavado .....	5
Instalación de puntera .....	5
Instalación de agua superficial.....	6

Tubería del pozo a la bomba.....	6
Aplicación de aspersión .....	6
Instalación de la bomba/tubería .....	6
Ajustes eléctricos .....	7
Conexiones del cableado.....	7
Operación .....	8
Cuidado y limpieza .....	9
Resolución de fallas .....	10
Piezas de servicio .....	11


## Información de seguridad


### LEA Y ENTIENDA ESTE MANUAL ANTES DE OPERAR ESTA BOMBA


1. Evite las quemaduras/explosiones de presión
  2. Evite choques eléctricos
- **Llene la bomba con agua.** Asegúrese de que la bomba esté llena con agua para descargar.
  - **Configuraciones eléctricas del motor:** Ajuste el motor al voltaje adecuado (voltaje suministrado a la bomba).

### INSTRUCCIONES DE SEGURIDAD IMPORTANTES

GUARDE ESTAS INSTRUCCIONES – Este manual contiene instrucciones importantes que deben respetarse durante la instalación, operación y mantenimiento de esta bomba. También, familiarícese con los siguientes símbolos de seguridad y sus significados:

 **PELIGRO:** Indica una situación peligrosa que, si no se evita, resultará en la muerte o lesiones graves.


 **ADVERTENCIA:** Indica una situación peligrosa que, si no se evita, podría resultar en la muerte o lesiones graves.


 **PRECAUCIÓN:** Indica una situación peligrosa que, si no se evita, podría resultar en lesiones menores o moderadas.


**AVISO:** Aborda prácticas no relacionadas con lesiones personales.


**Lea cuidadosamente y respete todas las instrucciones de seguridad en este manual y en la bomba.**


Mantenga las etiquetas de seguridad en buenas condiciones. Reemplace las etiquetas de seguridad faltantes o dañadas.


 **ADVERTENCIA:** Riesgo de explosión. El cuerpo de la bomba puede explotar si se usa como una bomba de carga.


 **PRECAUCIÓN:** Riesgo de quemaduras. No toque un motor en funcionamiento. Los motores están diseñados para funcionar a altas temperaturas. Para evitar quemaduras cuando le dé servicio a la bomba, deje que enfíe durante 20 minutos después de apagarla y antes de manipularla.

 **PRECAUCIÓN:** No deje que la bomba ni ningún componente se congele. Hacerlo así anulará la garantía.

 **PRECAUCIÓN:** Use esta bomba para bombear agua únicamente.

 **PRECAUCIÓN:** Inspeccione periódicamente la bomba y los componentes del sistema.

 **PRECAUCIÓN:** Use gafas de seguridad en todo momento cuando trabaje con bombas.

 **ADVERTENCIA:** No utilice esta bomba para aplicaciones de refuerzo de presión de agua. La carcasa de la bomba tiene una capacidad de 55 PSI MAX.

# Garantía

El fabricante garantiza al comprador consumidor original ("Comprador" o "Usted") de esta bomba que estará libre de defectos en materiales y mano de obra durante el periodo de la garantía de doce (12) meses a partir de la fecha de compra del consumidor original. Si, dentro de doce (12) meses a partir de la compra del consumidor original, se comprueba que tal producto está defectuoso, será reparado o reemplazado a la opción del fabricante, sujeto a los términos y condiciones decritos aquí. Tome nota de que esta garantía limitada aplica a defectos de fabricación y no al desgaste y uso normales. Todos los dispositivos mecánicos necesitan piezas y servicio periódico para que se desempeñen bien. Esta garantía limitada no cubre la reparación cuando el uso normal ha agotado la vida de una pieza o del equipo.

Para determinar la elegibilidad de la garantía es necesario presentar el recibo de compra original y la etiqueta de información de la garantía. La elegibilidad está basada en la fecha de compra del producto original y no en la fecha del reemplazo bajo la garantía. La garantía está limitada a la reparación o reemplazo del producto original comprado únicamente, no al producto de reemplazo (o sea, un reemplazo de garantía permitido por compra). El comprador paga todos los cargos por retiro, instalación, mano de obra, envío y cargos incidentales.

Para piezas o asistencia de resolución de fallas, NO devuelva el producto a su tienda minorista, póngase en contacto con Servicio al cliente de Everbilt llamando al 1-844-883-1872.

Los reclamos hechos bajo esta garantía se harán devolviendo el producto (excepto bombas de aguas residuales, ver abajo) a la tienda minorista donde se compró o a la fábrica inmediatamente después del descubrimiento de cualquier presunto defecto. El fabricante posteriormente emprenderá acción correctiva tan pronto como sea razonablemente posible. No se aceptarán solicitudes de servicio si se recibe más de 30 días después de que la garantía expire. La garantía no es transferible y no aplica a productos usados en aplicaciones comerciales/de alquiler.

# Pre-instalación

## ANTES DE INSTALAR ESTA BOMBA



**ADVERTENCIA:** Riesgo de explosión. No haga la conexión a tierra a una línea de suministro de gas. El cuerpo de la bomba puede explotar si se usa como una bomba de carga u otra aplicación que no sea la de aspersión.



**PRECAUCIÓN:** Riesgo de quemaduras. No toque un motor en funcionamiento. Los motores están diseñados para funcionar a altas temperaturas. Está protegida contra daños por calor durante el funcionamiento mediante un interruptor de corte interno automático. Para evitar quemaduras cuando le dé servicio a la bomba, deje que enfrie durante 20 minutos después de apagarla y antes de manipularla.

- La entrada de succión de agua de la bomba no debe estar a más de 20 pies sobre el nivel del agua.
- Los tendidos largos y muchos accesorios aumentan la fricción y reducen el flujo de agua a la bomba. Ubique la bomba lo más cerca posible a la fuente de agua. Use la menor cantidad posible de codos y accesorios. Asegúrese de que la línea de succión esté recta y que se doble hacia la bomba.
- Asegúrese de que el pozo y la tubería estén limpios de arena, suciedad y costra. El material extraño taponará la bomba y anulará la garantía. Use tubería nueva para mejores resultados.
- Proteja la bomba y toda la tubería del congelamiento.
- El congelamiento romperá la tubería, dañará la bomba y anulará la garantía. Consulte localmente en busca de requisitos de protección contra la escarcha. La bomba no se puede instalar abajo de la profundidad de penetración del congelamiento y la bomba debe estar aislada.
- Las válvulas de pie o de retención (no incluidas) se deben instalar en la tubería de succión para optimizar la succión de la bomba.
- Asegúrese de que todas las tuberías y las válvulas estén limpias y en buen estado.
- Asegúrese de que no hayan bolsas de aire en la tubería de succión.
- Asegúrese de que no hayan fugas en la tubería de succión. Use cinta Teflón u otro sellador aprobado para sellar las juntas de la tubería.
- Las uniones instaladas cerca de la bomba y el pozo ayudarán a darles servicio. Deje espacio para poder usar las llaves.

# Pre-instalación

## DATOS DE RENDIMIENTO

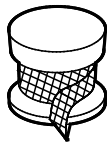
SKU	HP	Entrada	Salida	DISTANCIA DE LA BOMBA SOBRE EL AGUA	PRESIÓN DE DESCARGA				
					10	20	30	40	50
					GALONES POR MINUTO				
1001 092 236	1	2 in. Min	1 1/2 in.	5 pies	56	45	31	17	--
				10 pies	49	42	28	12.5	--
				15 pies	48	39	24	8	--
				20 pies	45	37	20	--	--
1001 092 238	1 1/2	2 in. Min	1 1/2 in.	5 pies	67	61	48	33	--
				10 pies	61	56	45	26	--
				15 pies	56	54	44	20	--
				20 pies	46	44	37	11	--
1001 092 241	2	2 in. Min	2 in.	5 pies	83	71	56	41	17
				10 pies	77	67	54	36	8
				15 pies	76	65	50	32	--
				20 pies	75	62	48	28	--

## HERRAMIENTAS REQUERIDAS (NO INCLUIDAS)

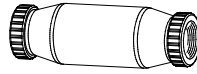
Antes de usar esta bomba, asegúrese de tener los elementos adecuados en función de la técnica de la instalación de las páginas siguientes.



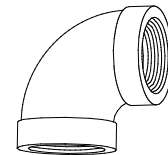
Suction/Tubería de descarga de 2 o 1-1/2 pulg.



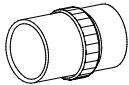
Cinta selladora de roscas



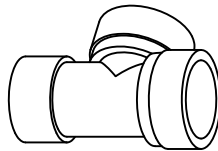
Válvula de retención de 2 pulg.



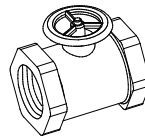
Codo de 2 o 1-1/2 pulg.



Unión de 2 o 1-1/2 pulg.



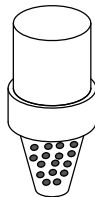
T de cebar de 2 o 1-1/2 pulg.



Válvula de compuerta de 2 o 1-1/2 pulg.



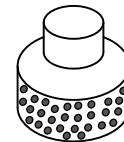
Manómetro



Válvula de pie de 2 pulg.



Válvula de alivio de presión (recomendado)



2 pulg. NPT Cesta de filtro (1/8 pulg. tamaño del agujero)

NOTA: Por favor, seleccione materiales adecuados basados en la entrada y la salida de tamaño. (Ver página 4)

IMPORTANTE: No utilice tuberías o accesorios en el lado de succión de la bomba de menos de 2 pulg.! Esto restringirá succión y reducir la capacidad y el rendimiento de cebado.



# Instalación

**AVISO:** Se recomienda que la bomba se instale en el recinto bien ventilado.

## INSTALACIÓN DE LA TUBERÍA DEL POZO

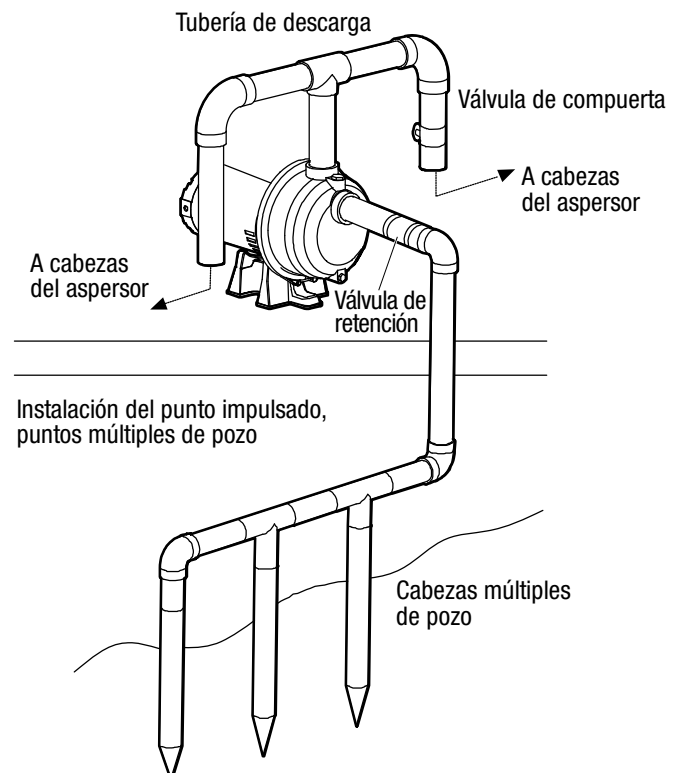
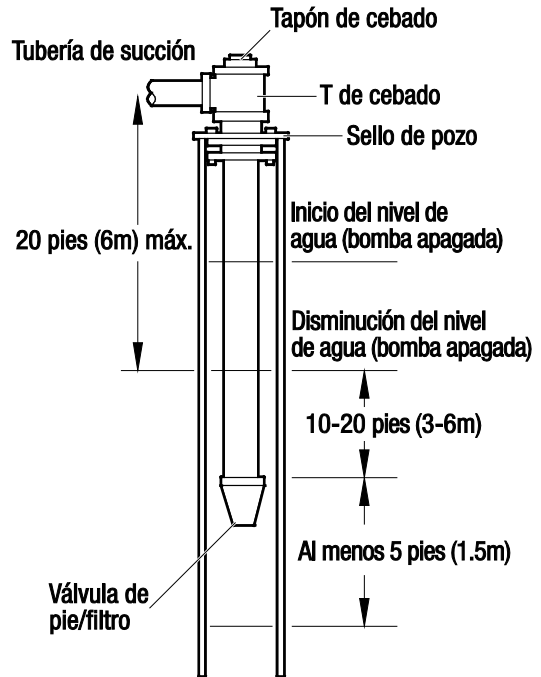
Use los métodos de instalación proporcionados en este capítulo que coincidan con su fuente de agua.

### INSTALACIÓN DE POZO CON CAJA/CAVADO

1. Inspeccione la válvula de pie o la válvula de retención en línea para asegurarse de que funcionen libremente. Inspeccione el filtro para asegurarse de que esté limpio y seguro.
2. Si está usando una válvula de pie, conecte la válvula de pie y el filtro a la primera sección de la tubería de succión y baje la tubería al pozo. Agregue secciones de tubería según sea necesario, usando cinta Teflón en las roscas macho. Use tubería de 2 pulg. para la tubería de succión. Asegúrese de que toda la tubería de succión sea a prueba de fugas o la bomba perderá cebado y dejará de bombear. Instale la válvula de pie de 10 a 20 pies (3 a 6 m) abajo de nivel más bajo al cual el agua caerá mientras la bomba está funcionando (nivel de agua de bombeo). Su perforador de pozo le puede proporcionar esta información.
3. Para evitar que la arena y sedimentos ingresen al sistema de bombeo, una válvula de pie/filtro debe estar al menos a 5 pies (1.5 m) sobre el fondo del pozo.
4. Cuando se logra el nivel apropiado, instale un sello de pozo sanitario sobre la tubería y en la caja del pozo. Apriete todos los pernos en la caja del pozo.
5. Cuando use una válvula de pie, se recomienda una T y tapón de cebado.

### INSTALACIÓN DE PUNTERA

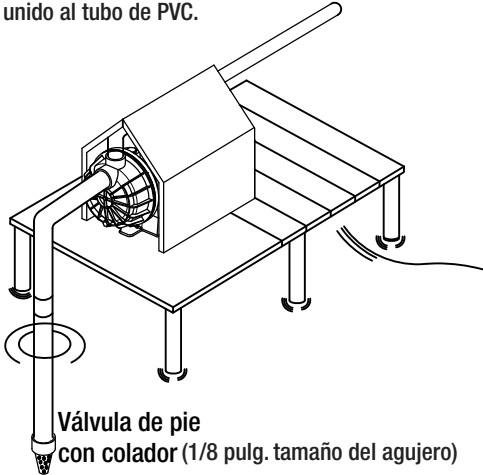
1. Conecte la tubería de succión en la puntera. Mantenga el tendido de la tubería horizontal lo más corto posible. Use cinta Teflón en las roscas macho de la tubería. Es posible que sean necesarios múltiples puntos de pozo para brindar agua suficiente a la bomba.
2. Instale una válvula de retención en la tubería horizontal. La flecha de flujo en la válvula de retención debe apuntar hacia la bomba.



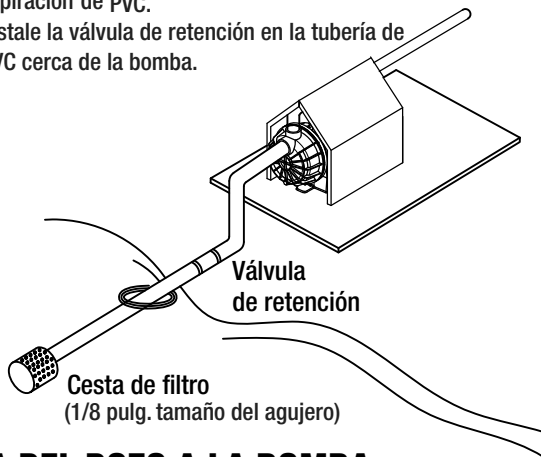
# Instalación (continuación)

## INSTALACIÓN DE AGUA SUPERFICIAL

- Vertical del agua superficial a la bomba  
Válvula de pie con filtro (1/8 pulg. tamaño del agujero) unido al tubo de PVC.



- Horizontal del agua superficial a la bomba
  1. Colador (1/8 pulg. tamaño del agujero) y / o cesta de colador instalada en el extremo del tubo de aspiración de PVC.
  2. Instale la válvula de retención en la tubería de PVC cerca de la bomba.



## TUBERÍA DEL POZO A LA BOMBA

El rendimiento de la bomba disminuirá si el diámetro de la tubería es menor que el tamaño de la entrada de la bomba. Si la instalación es adecuada, el tamaño de la tubería es igual al tamaño de la entrada.

Para agregar cebado en instalaciones de punto de pozo, instale una válvula de retención de línea. Asegúrese de que la flecha de flujo de la válvula de retención apunte hacia la bomba.

## TUBO DE BOMBA A APLICACION DE USO FINAL

El tamaño de la tubería de la bomba a la tubería de descarga de los cabezales del rociador se debe aumentar para reducir las pérdidas de presión causadas por la fricción en tendidos largos de tubería:

- Tendido de hasta 100 pies (30.5 m): Igual tamaño que el puerto de descarga de la bomba.
- Tendido de 100 pies a 300 pies (30.5 a 91.4 m): Aumentar un tamaño de tubería.
- Tendido de 300 pies a 600 pies (91.4 a 182.9 m): Aumentar dos tamaños de tubería.

## APLICACIÓN DE ASPERSIÓN

Esta bomba está diseñada para sistema de irrigación del césped. Cuando está instalada adecuadamente, entregará agua y presión adecuadas de cualquier fuente de pozo.

## INSTALACIÓN DE LA BOMBA/TUBERÍA

Si se está apagando y encendiendo la bomba por presión, se necesita un interruptor de presión y tanque. Para una instalación e instrucciones de operación adecuadas, llame a Servicio al cliente de depósito y / o fabricante del interruptor.

## USE NUEVO TUBO PARA MEJORES RESULTADOS

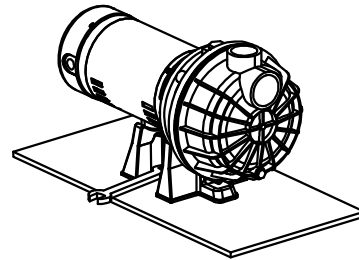
Use tubería rígida. No use manguera ni tubería plástica. Consulte "Instalación de tubería de pozo" para obtener más información.

Use solo cinta selladora de rosca de tubería PTFE para compuestos de junta para hacer todas las conexiones roscadas a la bomba misma.

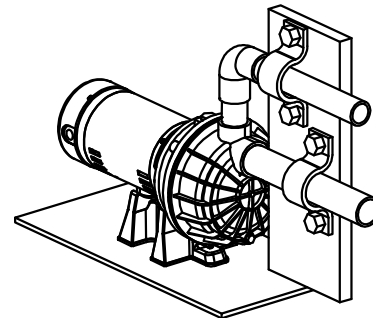
**No use compuestos de junta de tubería en bombas plásticas ya que pueden reaccionar con el plástico en los componentes de la bomba.**

Asegúrese de que todas las juntas de la tubería en la tubería de succión sean a prueba de aire así como a prueba de agua. Si la tubería de succión tiene algún fuga, la bomba no va a poder sacar agua del pozo.

1. Emperne la bomba en una base sólida y a nivel.



2. Soporte toda la tubería conectada a la bomba.



3. Coloque de 1-1/2 a 2 capas de cinta Teflón hacia la derecha (teniendo enfrente suyo el extremo de la tubería) en todas las roscas macho unidas a la bomba.
4. Apriete a mano las juntas más de 1-1/2 vueltas. No apriete demasiado.
5. Reemplace el tapón de cebado por un manómetro. Esto ayudará a dimensionar zonas, a resolver fallas y a seguir la tabla de rendimiento de la bomba.



**NOTA:** Para tendidos largos de tubería horizontal, instale una T de cebado entre la válvula de retención y la boca del pozo, Consulte la figura en la sección Instalación de pozo con caja/cavado para referencia adicional.

# Ajustes eléctricos



**ADVERTENCIA:** Desconecte la energía antes de trabajar en la bomba, el motor, el interruptor de presión o el cableado.



**PRECAUCIÓN:** El motor puede estar caliente. Deje que el motor se enfríe durante 20 minutos después de apagarlo.

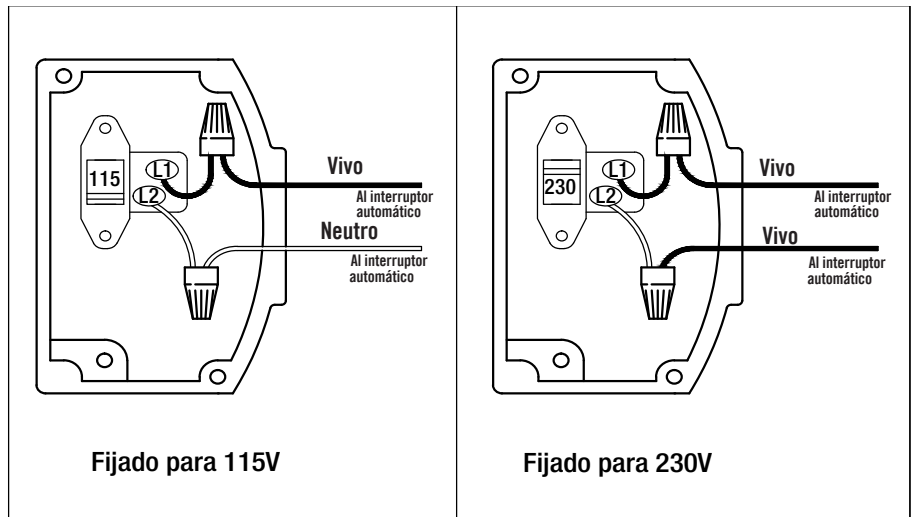
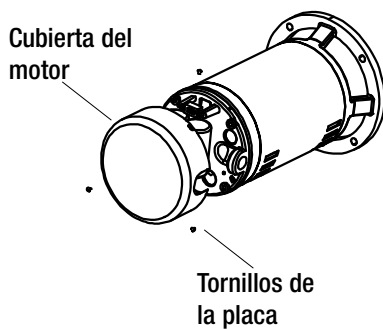


**PRECAUCIÓN:** La presión del agua se puede acumular en la bomba, tuberías o el tanque. Drene el agua para liberar la presión.

## AJUSTES DE VOLTAJE DE MOTOR

Los motores están diseñados para funcionar con 115 voltios o 230 voltios. Compruebe que la tensión del motor se ajusta para que coincida con la tensión suministrada por el motor de la fuente eléctrica.

Para configurar el motor a la tensión correcta, primero retire la placa de la cubierta trasera del motor. A continuación deslice el interruptor de conversión de tensión a la tensión correcta.



## Conexiones del cableado

**ADVERTENCIA:** Riesgo de choque eléctrico. Puede dar un choque, quemar o matar.

1. Para evitar choques eléctricos peligrosos o fatales, apague la energía al motor antes de trabajar en las conexiones eléctricas.
2. Conecte a a tierra el motor antes de conectar a la fuente de alimentación eléctrica. No conectar a tierra el motor puede causar peligro de choques eléctricos severos o fatales.
3. El voltaje de alimentación debe estar dentro de +/- 10% del voltaje de la placa de identificación. El voltaje incorrecto puede ocasionar un incendio o dañar el motor y anular la garantía. Si tiene dudas, consulte con un electricista calificado.
4. Use un tamaño de cable especificado en la Tabla de cableado (abajo). Si es posible, conecte la bomba a un circuito de derivación aparte sin ningún otro aparato en él.
5. No haga la conexión a tierra a una línea de suministro de gas.
6. Haga el cableado del motor de acuerdo al diagrama en la placa de identificación del motor.
7. Si el diagrama de la placa de identificación difiere de los diagramas en esta sección, siga el diagrama de la placa de identificación.
8. Si este procedimiento o los diagramas de cableado le resultan confusos, consulte con un electricista calificado.



# Operación

## TAMAÑOS RECOMENDADOS DE CABLE Y FUSIBLE PARA 115 Y 230 VOLTIOS

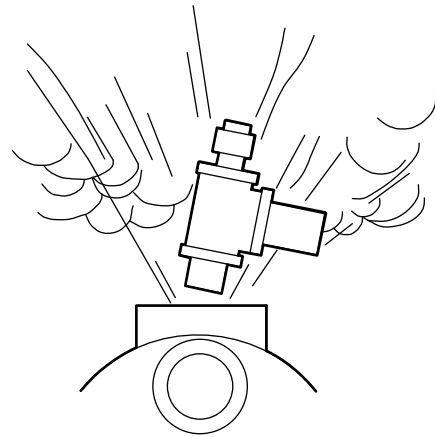
HP DEL MOTOR	VOLTIOS	MÁX. AMP. DE CARGA	FUSIBLE DE DERIVACIÓN AMP.	AWG MÍN. TAMAÑO DE CABLE (mm <sup>2</sup> )	DISTANCIA EN PIES DEL MOTOR A LA FUENTE				
					0-100	101-200	201-300	301-400	401-500
					TAMAÑO DE CABLE AWG (mm <sup>2</sup> )				
1	115/230	18.5/9.25	30/15	10/14 (5.5/2)	10/14 (5.5/2)	8/14 (2/2)	6/14 (14/2)	6/12 (14/3)	4/10 (21/5.5)
1-1/2	115/230	22/11	30/15	10/14 (5.5/2)	10/14 (5.5/2)	8/14 (8.4/2)	6/12 (14/3)	4/10 (21/5.5)	4/10 (21/5.5)
2	115/230	27.0/13.5	35/20	8/12 (8.9/3)	8/12 (8.9/3)	8/12 (8.4/3)	6/10 (14/5.5)	4/10 (21/5.5)	4/10 (21/5.5)



**ADVERTENCIA:** Presión peligrosa. Instale una válvula de alivio de presión en la tubería de descarga. Libere toda la presión en el sistema antes de trabajar en cualquier componente.



**ADVERTENCIA:** Riesgo de explosión y quemaduras. NUNCA ponga a funcionar la bomba contra una descarga cerrada. Si lo hace, puede hacer que hierva el agua dentro de la bomba, causando presión peligrosa en la unidad, riesgo de explosión y posiblemente quemaduras a las personas que manejan la bomba. Reemplace el tapón de cebado por un manómetro para monitorear la presión de modo que no se permita que supere las presiones máximas de bombeo de acuerdo a la tabla de rendimiento.



Para evitar una explosión, asegúrese de que la descarga (válvula, empuñadura de la pistola, boquilla de la manguera, etc.) esté abierta siempre que esté funcionando la bomba. Monitoree la temperatura del cuerpo de la bomba y de la tubería. El motor se calentará, esto es normal. Si el cuerpo de la bomba o la tubería comienzan a sentirse calientes al tacto, apague la bomba y deje que se enfríe el sistema. Libere toda la presión en el sistema y rellene la bomba y la tubería con agua fría.

### CEBADO DE LA BOMBA

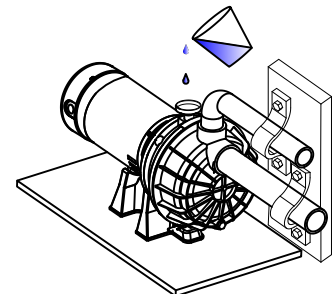
El cebado se refiere a expulsar todo el aire en el sistema y comenzar a mover agua de su fuente al sistema. No se refiere únicamente a verter agua a la bomba (aunque verter agua generalmente es el primer paso).



**PRECAUCIÓN:** Riesgo de quemaduras. NUNCA ponga a funcionar la bomba en seco. Poner a funcionar la bomba sin agua puede hacer que la bomba se sobrecaliente, dañando el sello y posiblemente causando quemaduras a las personas que manipulan la bomba. Llene la bomba con agua antes de arrancarla.

1. Retire el tapón de cebado.
2. Asegúrese de que estén abiertas las válvulas de succión y de descarga y cualquier manguera en el lado de la descarga de la bomba.
3. Llene la bomba y la tubería de succión con agua.

Llene la bomba antes del arranque

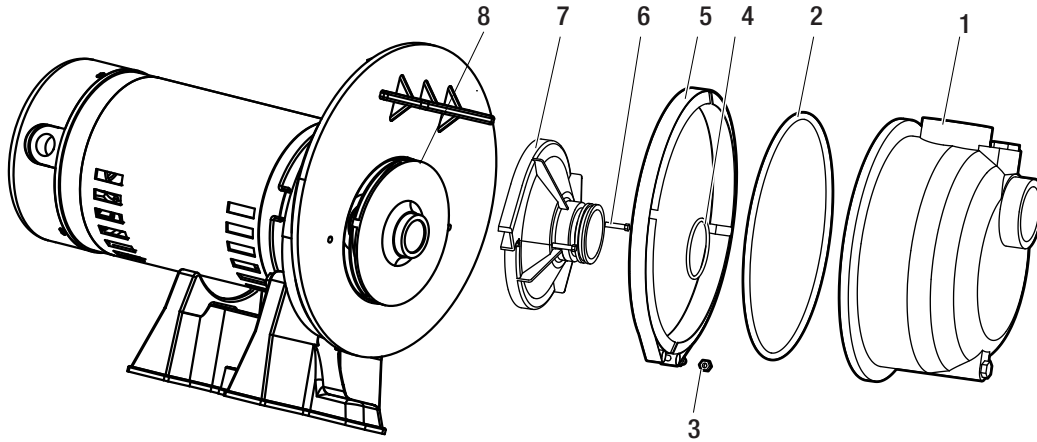


4. Vuelva colocar el tapón de cebado usando cinta Teflón en las roscas. Apriete el tapón. Si se han proporcionado T y tapón de cebado para el tendido largo horizontal, llene la tubería de succión a través de esta T y vuelva a colocar el tapón. (Use cinta Teflón en el tapón.)
5. Arranque la bomba. Se debe producir agua en 10 minutos o menos. El tiempo depende de la profundidad del agua (no más de 20 pies (6 m)) y la longitud del tendido horizontal (10 pies (3 m) de la tubería de succión horizontal = 1 pie (30 cm) de levantamiento vertical debido a pérdidas por fricción en la tubería). Si no se produce agua en 10 minutos, pare la bomba, libere toda la presión, retire el tapón de cebado, vuelva a llenar e intente de nuevo.

## Cuidado y limpieza

Para limpiar la bomba cuando está atascada con desechos:

1. Desenchufe la bomba de la energía eléctrica.
2. Retire la tuerca (3).
3. Retire la abrazadera (5), el anillo O (2), el anillo O (4) y la voluta (1).
4. Retire los tornillos (6) que sujetan el difusor (7) a la placa de sello y retire el difusor (7).
5. Retire los desechos alrededor del impulsor (8).
6. Ensamble de nuevo la bomba.



## Mantenimiento

La bomba debe tener una ventilación adecuada para evitar el sobrecalentamiento. Cojinetes no requieren lubricación, ya que están permanentemente lubricados desde fábrica.

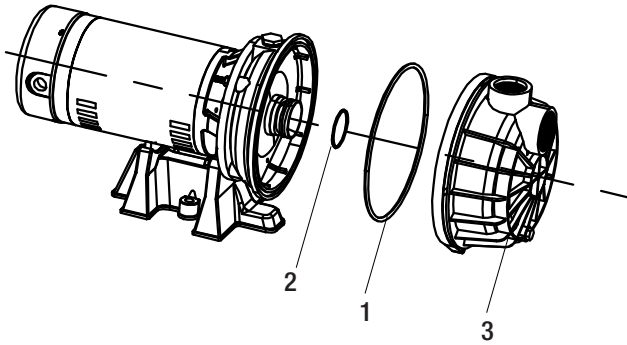
## Para invierno

No permita que la bomba o las tuberías se congelen. Drene el sistema antes de que se exceptúan las temperaturas de congelación. Para drenar, retire el enchufe de la posición de descarga y quite el enchufe de la parte delantera inferior de la bomba. Toda la tubería debe estar drenada abajo de la línea de congelación.

# Resolución de fallas

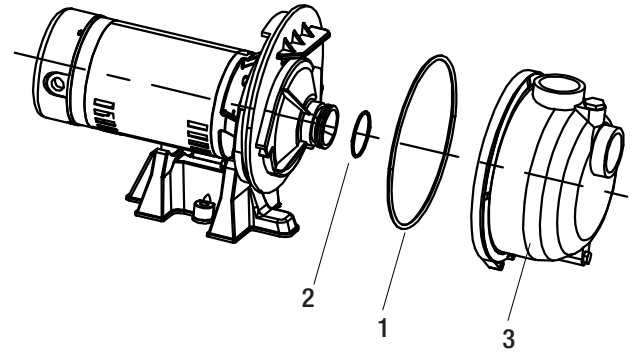
Problema	Causa probable	Acción correctiva
El motor no arranca.	El interruptor de desconexión está apagado.	Asegúrese de que el interruptor esté encendido.
	El fusible ha explotado o el disyuntor de circuito se ha activado.	Reemplace el fusible o reajuste el disyuntor de circuito.
	El interruptor de arranque está defectuoso. Los cables en el motor están flojos, desconectados o cableados incorrectamente.	DESCONECTE LA ENERGÍA; Reemplace el interruptor de arranque. Consulte las instrucciones de cableado. DESCONECTE LA ENERGÍA; revise y apriete todo el cableado.
El motor funciona caliente y comienza la sobrecarga o el motor no funciona y solo.	El motor está cableado incorrectamente.	Consulte las instrucciones de cableado.
	El voltaje está demasiado bajo.	Consulte con la compañía de electricidad. Instale cableado más resistente si el tamaño del cable es demasiado pequeño (Consulte la tabla en la sección de Cableado).
El motor funciona pero no se entrega agua.  *Pare la bomba, luego revise el cebado antes de buscar otras causas. Desatornille el tapón de cebado y vea si el agua está en el agujero de cebado.	La bomba no se cebó correctamente.	Vuelva a cebar de acuerdo a las instrucciones.
	Hay fugas de aire.	Revise todas las conexiones en la línea de succión y el sello del eje y AVC con crema de afeitar.
	La válvula de pie o la válvula de retención tiene fugas.	Cambie válvula de pie o la válvula de retención.
	El tamaño de la tubería es demasiado pequeño.	Reinstale la tubería usando el tamaño de puertos de succión y descarga en la bomba.
	El nivel del agua está debajo de la entrada de la tubería de succión.	Baje la línea de succión al agua y vuelva a cebar. Si el nivel del agua en retroceso en el pozo supera los 25 pies (7.6 m), se necesita una bomba de pozo profundo.
	El impulsor está obstruido.	Limpie el impulsor.
	La válvula de pie o la válvula de retención está pegada.	Cambie la válvula de pie o la válvula de retención.
	Las tuberías están congeladas. La válvula de pie/filtro están enterrados en arena o lodo.	Descongele las tuberías. Entierre las tuberías debajo de la línea Levante la válvula de pie/filtro sobre el fondo de la fuente de agua.
La bomba no entrega agua a toda su capacidad.	El nivel del agua en el pozo es más bajo que el estimado.	Se necesitará un surtidor de pozo profundo si su pozo tiene más de 25 pies (7.6 m) de profundidad al agua.
	La tubería de acero (si se usa) está corroída o encalada, causando fricción excesiva.	Reemplace con tubería plástica cuando sea posible, o con tubería de acero nueva.
	El tamaño de la tubería es demasiado pequeño.	Use tubería más grande.
	La bomba no está siendo alimentada con suficiente agua.	Agregue puntos de pozo adicionales.
La bomba tiene fugas alrededor de la abrazadera.	La abrazadera está floja.	PARE LA BOMBA. Apriete la tuerca de la abrazadera de 1 a 2 vueltas. De forma alterna, apriete y golpee la abrazadera con un mazo para asentar el anillo O. No apriete demasiado.

# Piezas de servicio



**MODELOS DE 1HP A 1-1/2 HP**

Pieza	CANTIDAD	Número de pieza	Descripción
1	1	HDEFLS104	Anillo O
2	1	HDEFLS111	Anillo O
3	1	HDEFLS108	Voluta



**MODELO DE 2HP**

Pieza	CANTIDAD	Número de pieza	Descripción
1	1	HDEFLS205	Anillo O
2	1	HDEFLS209	Anillo O
3	1	HDEFLS211	Voluta

**EVERBILT**

TM