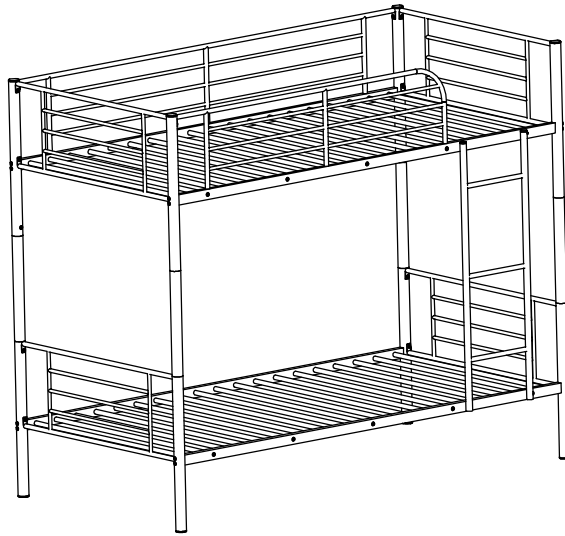


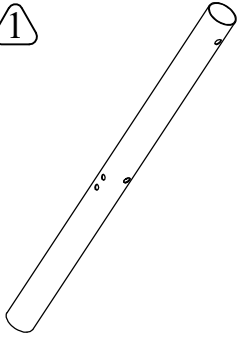
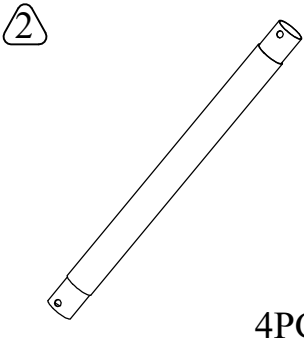
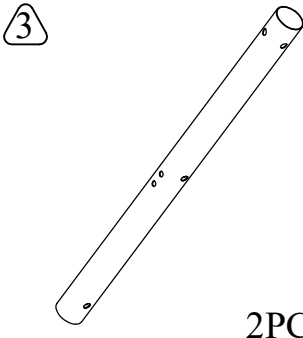
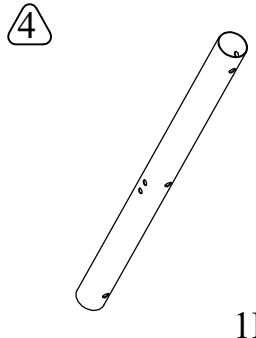
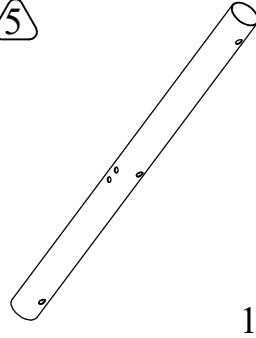
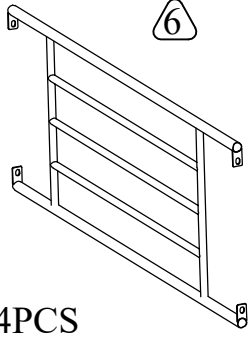
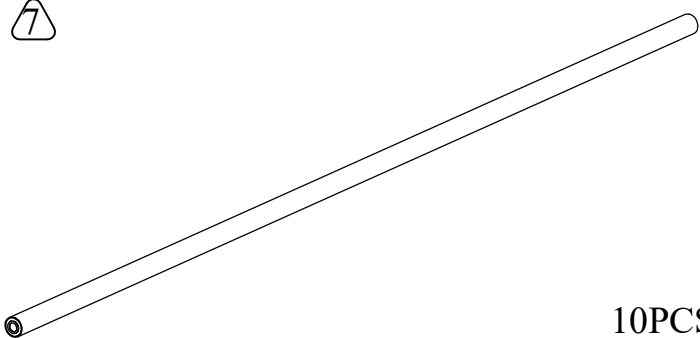
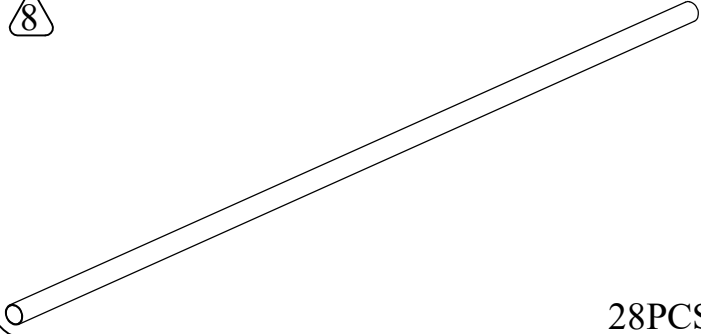
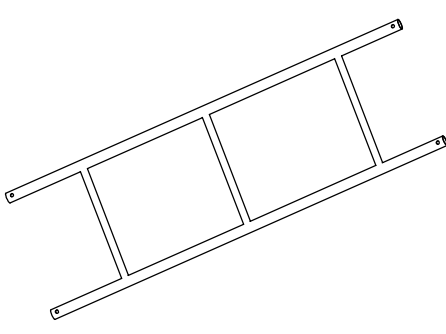
# BUNK BED

## ASSEMBLY INSTRUCTIONS

MF189201BAA/MF189201KAA/MF189201NAA



### PART LIST

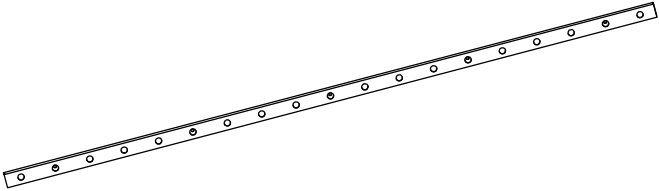
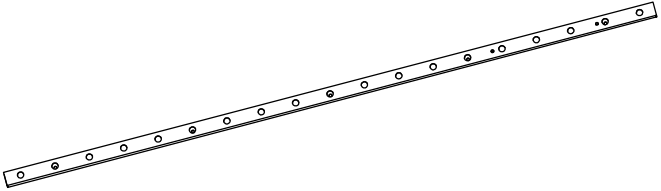
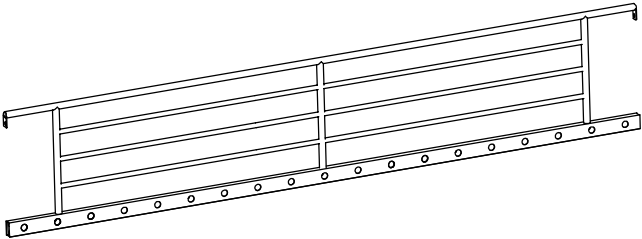
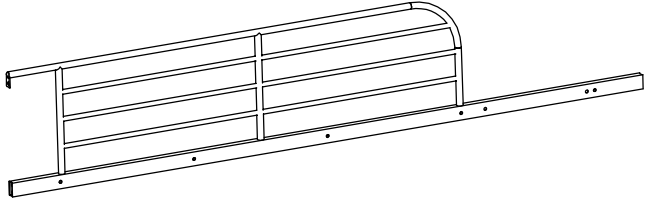
 <b>1</b> 4PCS	 <b>2</b> 4PCS	 <b>3</b> 2PCS	 <b>4</b> 1PC
 <b>5</b> 1PC	 <b>6</b> 4PCS	 <b>7</b> 10PCS	
 <b>8</b> 28PCS		 <b>9</b> 1PC	

# BUNK BED

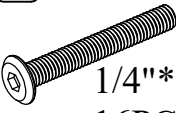



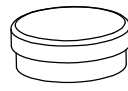

## ASSEMBLY INSTRUCTIONS

MF189201BAA/MF189201KAA/MF189201NAA

### PART LIST

 <p style="text-align: center;">10</p> <p style="text-align: center;">1PC</p>	 <p style="text-align: center;">11</p> <p style="text-align: center;">1PC</p>
 <p style="text-align: center;">12</p> <p style="text-align: center;">1PC</p>	 <p style="text-align: center;">13</p> <p style="text-align: center;">1PC</p>

### HARDWARE LIST

 <p style="text-align: center;">A</p> <p style="text-align: center;">1/4"*60 16PCS</p>	 <p style="text-align: center;">B</p> <p style="text-align: center;">1/4"*35 4PCS</p>	 <p style="text-align: center;">C</p> <p style="text-align: center;">1/4"*20 43PCS</p>	 <p style="text-align: center;">D</p> <p style="text-align: center;">Ø42 8PCS</p>	 <p style="text-align: center;">E</p> <p style="text-align: center;">Ø26 2PCS</p>	 <p style="text-align: center;">F</p> <p style="text-align: center;">4*59 2PCS</p>
--	--	---	---	--	---

### IMPORTANT SAFETY NOTICE: READ CAREFULLY BEFORE BEGINNING ASSEMBLY!

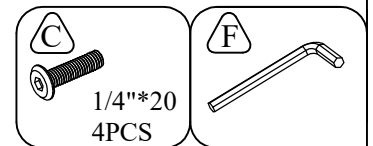
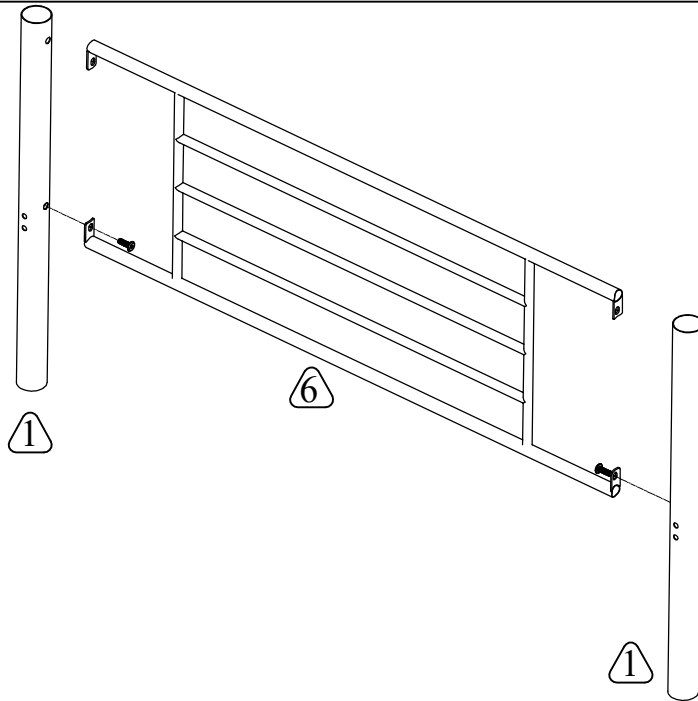
- ⚠ Do not stand on for your safety
- ⚠ Follow the assembly steps in order. Do not skip any steps.
- ⚠ Please do not tighten any screw before each is well placed in appropriate holes
- ⚠ Please tighten up all the screw before usage to avoid any potential safety hazard
- ⚠ Please tighten up to ensure all the screw well placed in appropriate holes is any assembly issue occurs
- ⚠ Be sure to check all packing material carefully for small parts may have come loose inside the carton during shipment. If parts missing, contact the retailer from which you purchased the product to obtain any missing part. **DO NOT USE SUBSTITUTE PARTS.**
- ⚠ Keep the instructions for future reference.

# BUNK BED

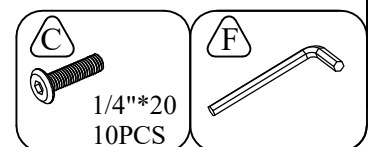
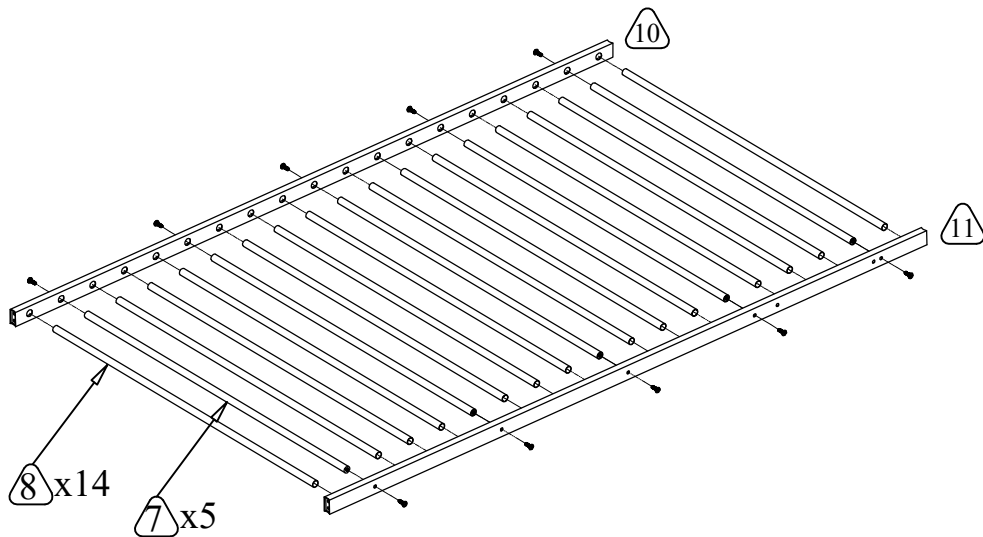
## ASSEMBLY INSTRUCTIONS

MF189201BAA/MF189201KAA/MF189201NAA

### STEP 1 : 2SET



### STEP 2

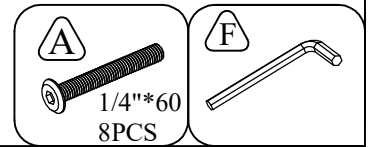
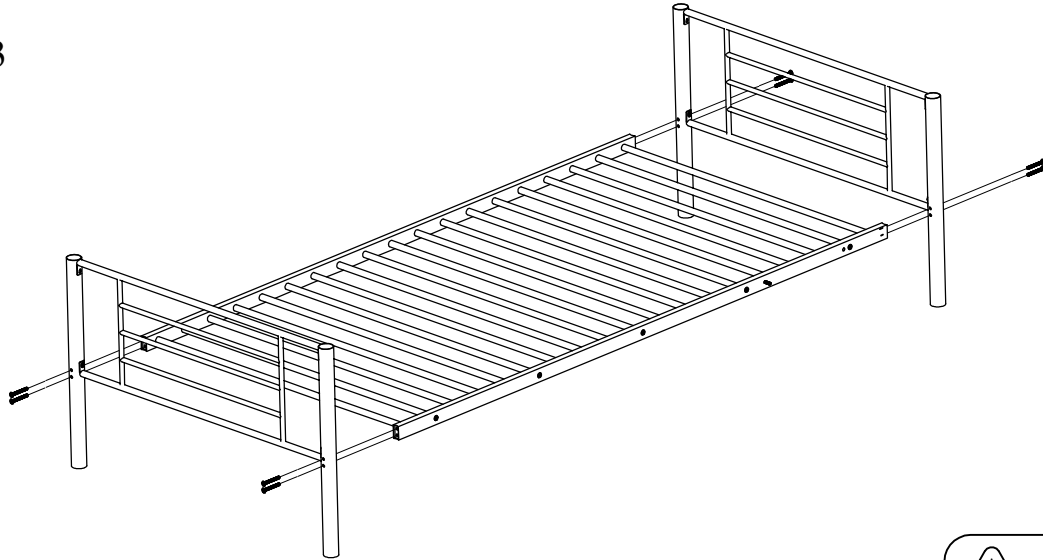


# BUNK BED

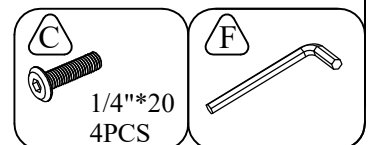
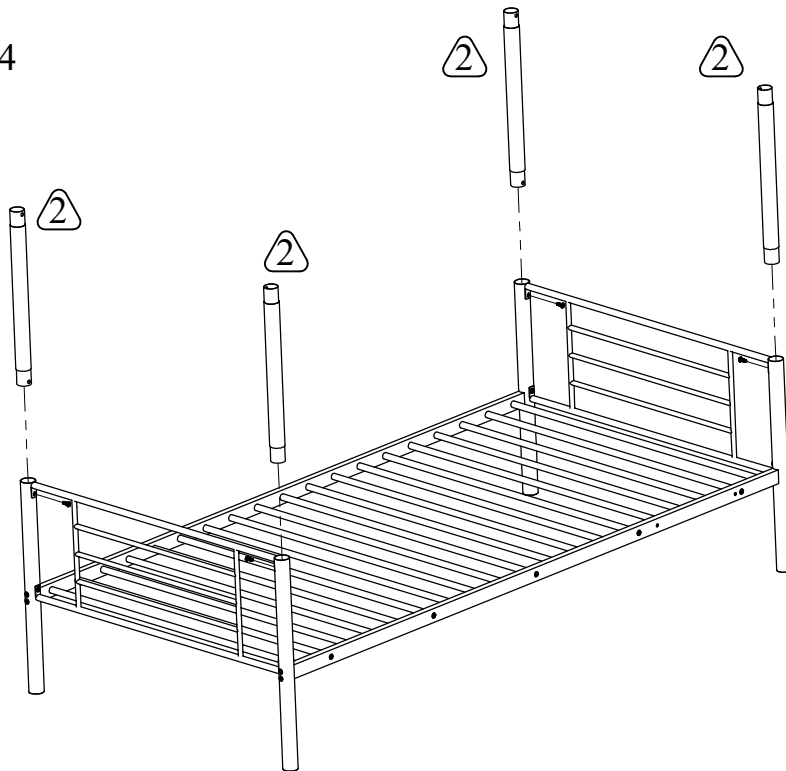
## ASSEMBLY INSTRUCTIONS

MF189201BAA/MF189201KAA/MF189201NAA

### STEP 3



### STEP 4

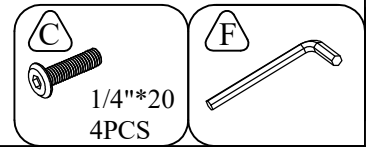
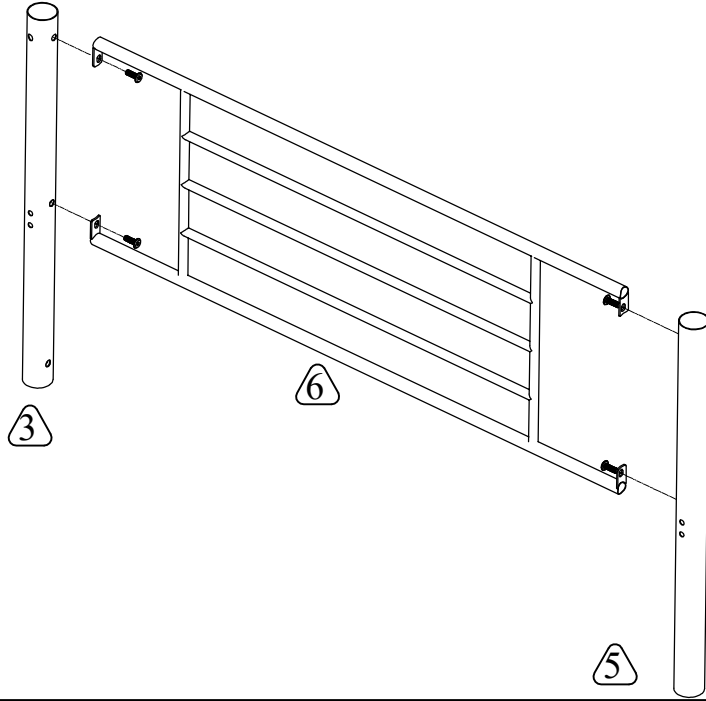


# BUNK BED

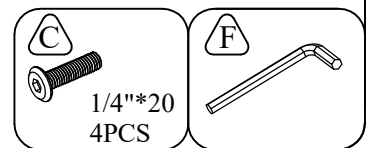
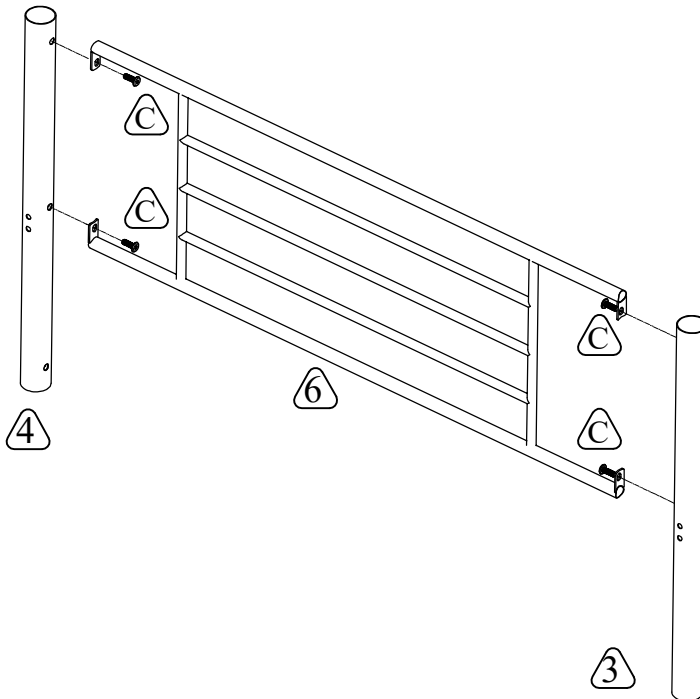
## ASSEMBLY INSTRUCTIONS

MF189201BAA/MF189201KAA/MF189201NAA

### STEP 5



### STEP 6

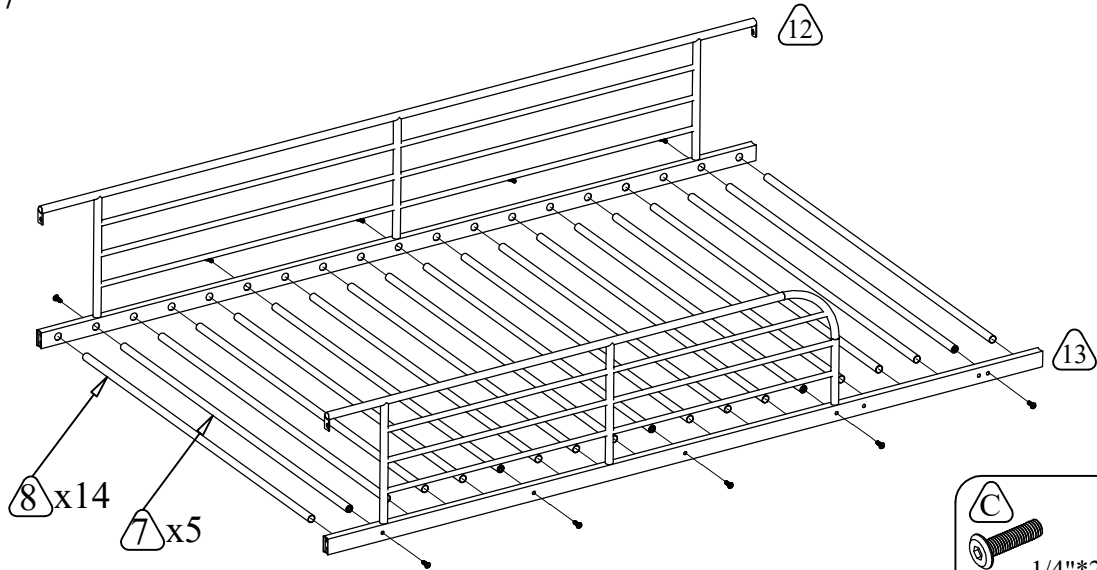


# BUNK BED

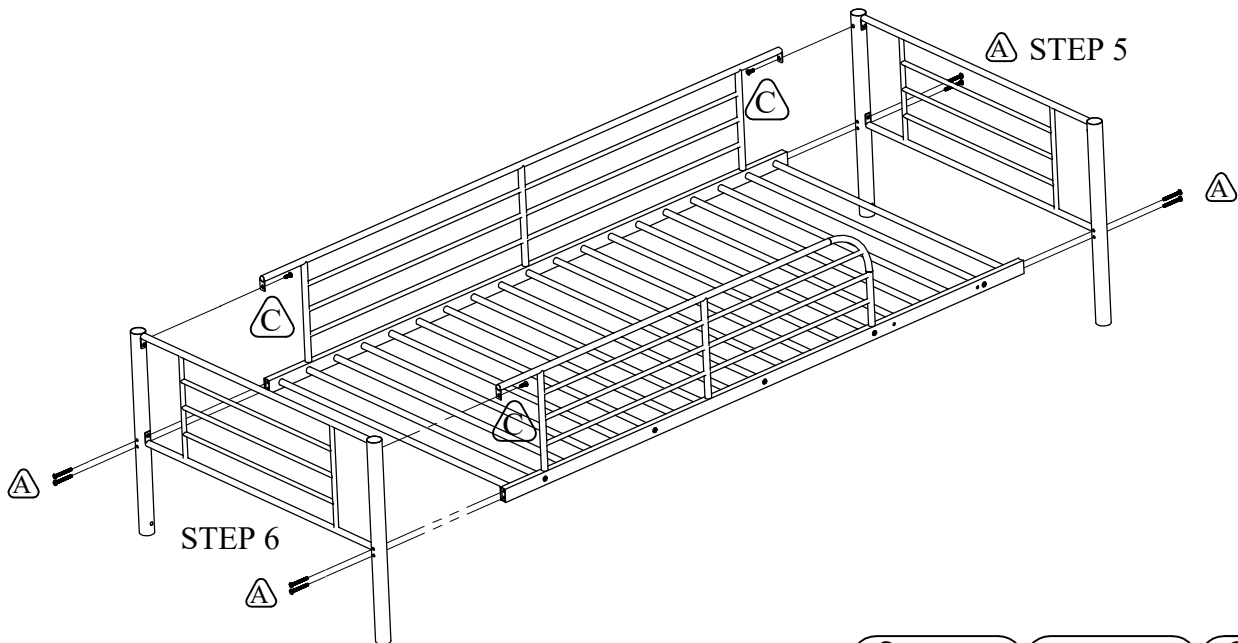
## ASSEMBLY INSTRUCTIONS

MF189201BAA/MF189201KAA/MF189201NAA

### STEP 7



### STEP 8

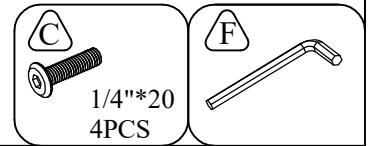
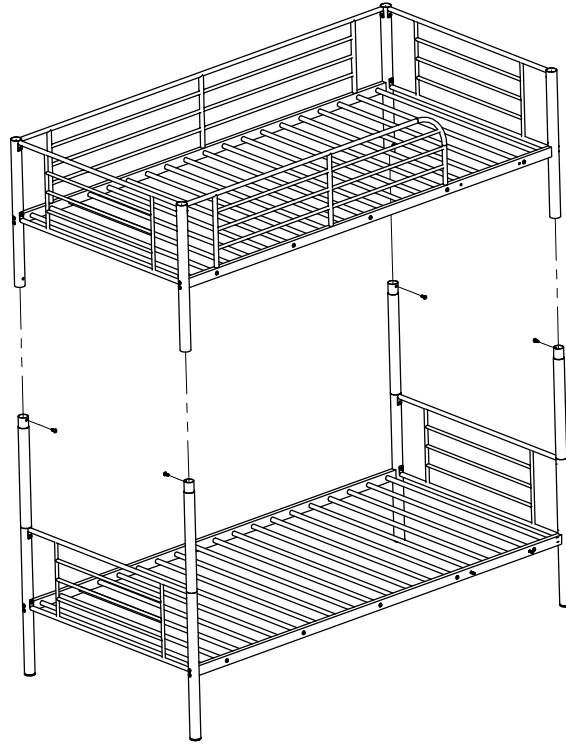


# BUNK BED

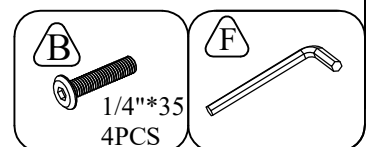
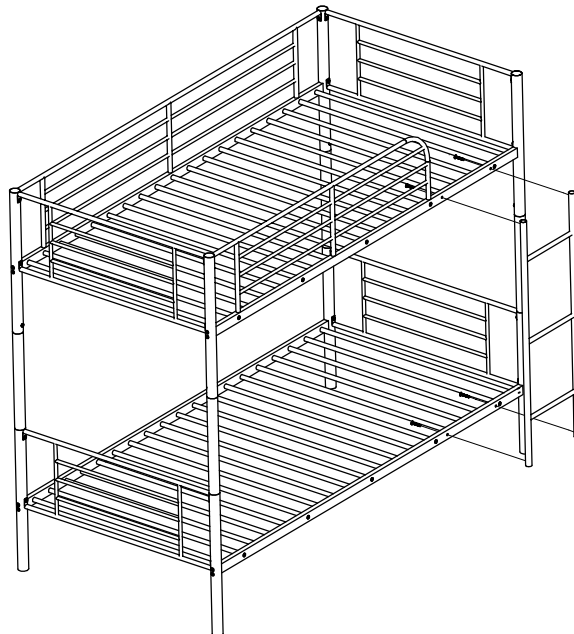
## ASSEMBLY INSTRUCTIONS

MF189201BAA/MF189201KAA/MF189201NAA

### STEP 9



### STEP 10



# BUNK BED

## ASSEMBLY INSTRUCTIONS

MF189201BAA/MF189201KAA/MF189201NAA

STEP 11

