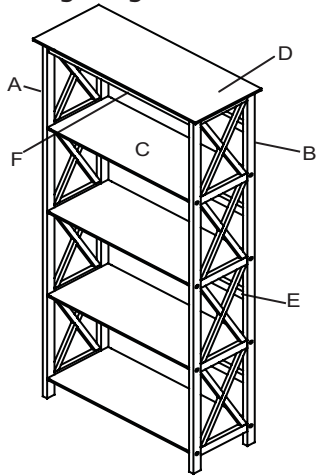


# HOME

DECORATORS  
COLLECTION

HDC#: 02184 MFG#: 324-5X  
ASSEMBLY INSTRUCTION  
Montego High Bookshelf.



### LIST OF WOODEN PARTS

NO	DESCRIPTION	Q'TY
A	LEFT PANEL	1
B	RIGHT PANEL	1
C	SHELVES	4
D	MANTEL TOP	1
E	BACK CROSSBARS	4
F	MANTEL TOP CROSSBARS	2

### LIST OF HARDWARE

RF10003	SCREW JCA 1/4" x 32	20
RF10002	SMALL SCREWS	8
RF40001	WOOD PLUGS	20
RF40103	ALLEN KEY	1
RF10004	SHORT SCREWS	4
RF50003	L-BACKET	2



RF10003 RF10002 RF40001 RF40103



RF10004 RF50003

Please contact Home Decorators  
Collection Customer Service at  
(800) 240-6047  
for parts or other product issues.

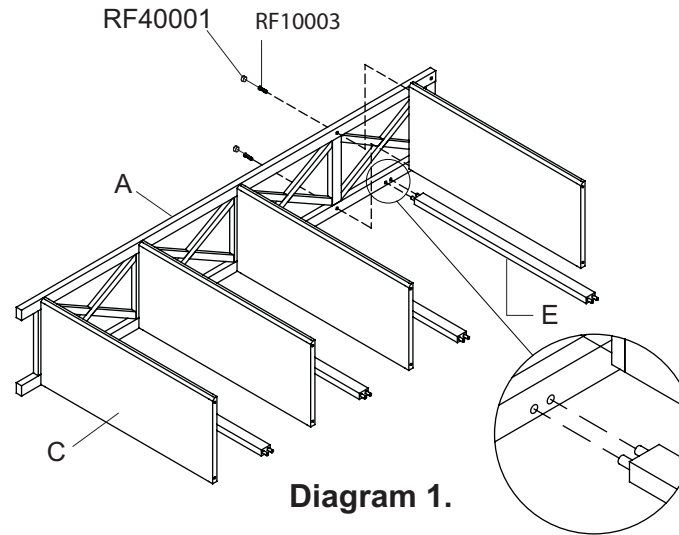


Diagram 1.

Step 1. Lay the left panel (Part A) on a soft surface .  
Then attach shelves ( Part C)by using screws  
JCA 1/4" x 32(RF10003) and attach back crossbars  
(Part E)into left panel (Part A ).  
Make sure the tapered edge faces upward.  
BE CAREFUL,DO NOT OVER TIGHTEN THE SCREWS.  
You may cover up screw holes with the enclosed wood  
plugs (RF40001) as per Diag.1.

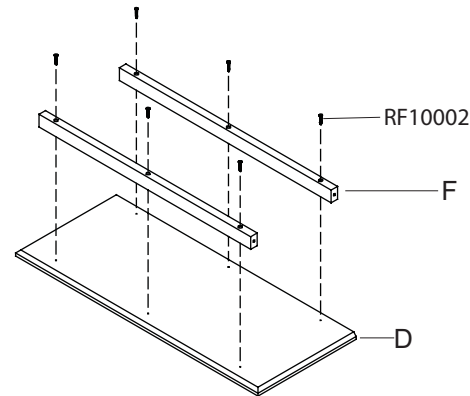


Diagram 3.

Step 3.Attach mantel top crossbars (Part F)into the  
mantel top (Part D)by using small screws  
(RF10002) as per Diag.3.The side with larger hole  
should face away from the top.

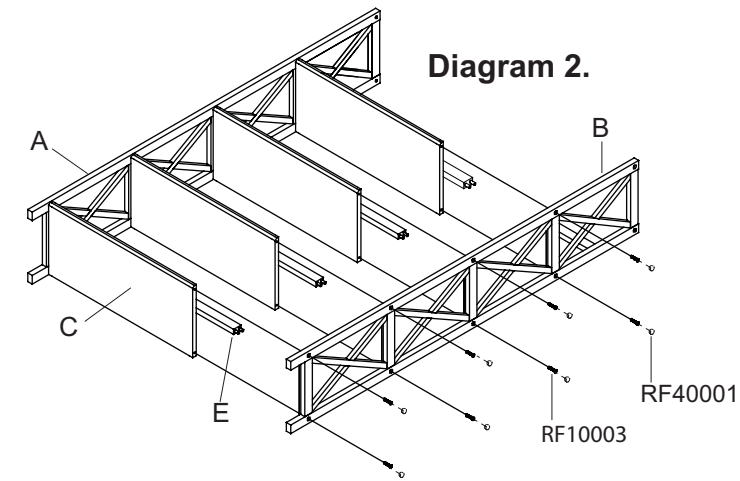


Diagram 2.

Step 2. Attach right panel (Part B)into them by using  
screws JCA 1/4" x 32(RF10003).  
You may cover up screw holes with the  
enclosed wood plugs (RF40001) as per Diag.2.

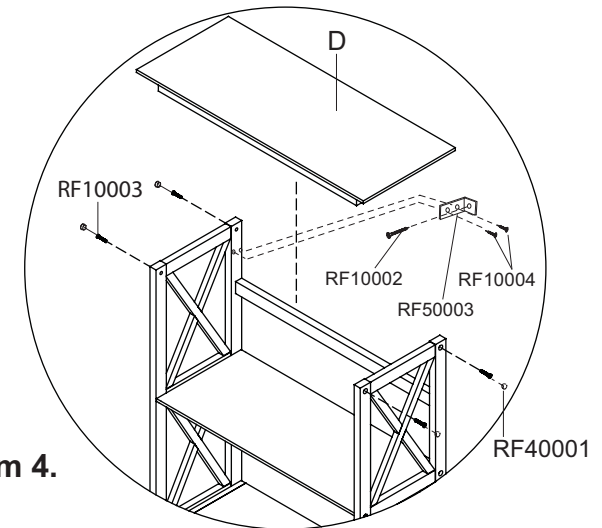


Diagram 4.

Step 4. Lift the mantel top and set it on top of  
the bookcase. Fasten with screws  
JCA 1/4" x 32(RF10003).  
You may cover up screw holes with the  
enclosed wood plugs (RF40001).as per Diag.4.

Step 5 . Used 1-2 L-brackets (RF50003) and short  
screws (RF10004) to attach two side panels  
under the mantel top to the studs in the wall,  
using screws small (RF10002) per Diag. 4.