

# 1080p Full HD IR Camera User Manual

SDC-9443BC

**CAUTION** : Changes or modifications not expressly approved by the party responsible for compliance could void the user's authority to operate the equipment.

**NOTE** : This equipment has been tested and found to comply with the limits for a Class A digital device, pursuant to part 15 of the FCC Rules. These limits are designed to provide reasonable protection against harmful interference when the equipment is operated in a commercial environment. This equipment generates, uses and can radiate radio frequency energy and, if not installed and used in accordance with the instruction manual, may cause harmful interference to radio communications. Operation of this equipment in a residential area is likely to cause harmful interference in which case the user will be required to correct the interference at their own expense.



# 1080p Full HD IR Camera

## User Manual

---

### Copyright

©2016 Hanuha Techwin Co., Ltd. All rights reserved.

### Trademark

Each of trademarks herein is registered. The name of this product and other trademarks mentioned in this manual are the registered trademark of their respective company.

### Restriction

Copyright of this document is reserved. Under no circumstances, this document shall be reproduced, distributed or changed, partially or wholly, without formal authorization.

### Disclaimer

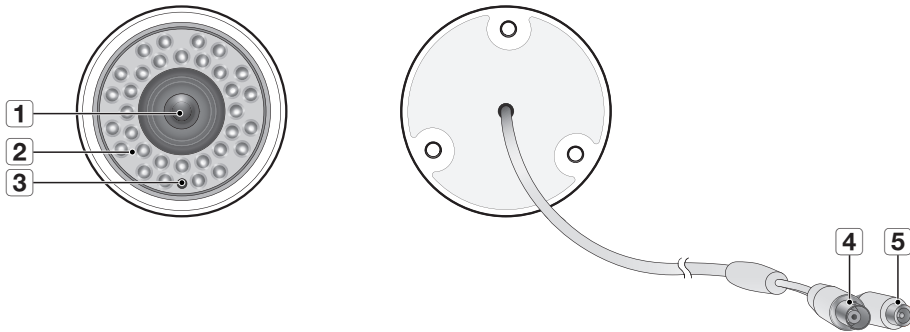
Hanuha Techwin makes the best to verify the integrity and correctness of the contents in this document, but no formal guarantee shall be provided. Use of this document and the subsequent results shall be entirely on the user's own responsibility. Hanuha Techwin reserves the right to change the contents of this document without prior notice.

❖ Design and specifications are subject to change without prior notice.

## PART NAMES AND FUNCTIONS

Equipped with the IR LED lights and the illumination sensor, the camera enables you to monitor at all times, day and night. The camera is suitable for both indoor and outdoor use.

Do not fully expose the camera to rain. The camera must be installed under a shelter to avoid exposure to excessive rain or moisture.



Name	Description
<b>1</b> Lens	3.6mm focal length enables you to monitor at a wider field of view
<b>2</b> IR LED	Infrared LED lights are controlled by the illumination sensor.
<b>3</b> Illumination Sensor	Detects incoming light to control the IR LED.
<b>4</b> BNC Cable	BNC terminal for video signal output.
<b>5</b> Power Cable	Use to power the camera.

## PRECAUTIONS

---

Ensure you read out the following instructions before installing the camera:

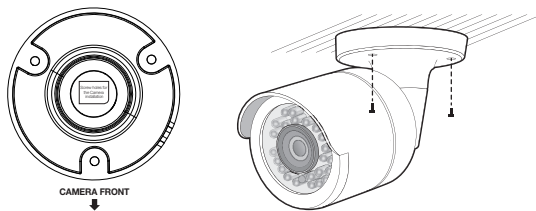
- Select an area (ceiling or wall) that can withstand 5 times the camera weight
- Stuck-in or peeled-off cables can cause damage to the product or a fire.
- For safety purposes, keep anyone else away from the installation site.  
And put aside personal belongings from the site, just in case.

## INSTALLING THE CAMERA

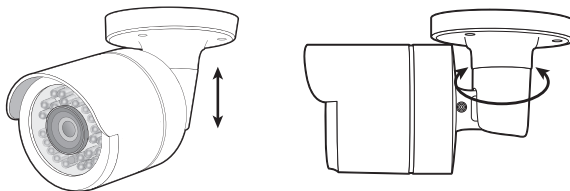
---

The camera can be installed on the wall, ceiling, shelf or a desired position using the provided mounting bracket.

1. Choose an installation site that can sufficiently support the weight of the camera to be installed.
2. Adhere the installation template onto the ceiling and use it as installation locating tool. "Please refer to Page13 (Quick Guide)"



3. Attach the camera mount to the wall using the supplied screws.
4. Adjust the direction of the camera to the desired direction, and tighten the bracket.
5. Adjust camera angle as needed.



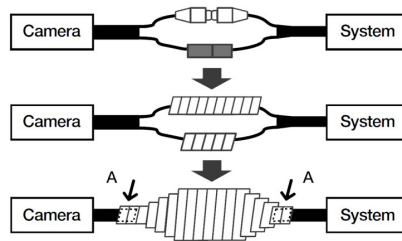
6. Connect the camera cable to the camera.  
Take caution when installing the camera outdoors because the cable connectors may be wet with moisture or pile up with impurities.  
Although the camera is IP66 rated, direct exposure to water or moisture may cause problem such as condensation.

## PROTECTION OF CABLE FROM WATER

If this product is mounted outdoor, water leakage may occur at gap between cables. As shown below, butyl rubber (available on the market) shall be used to protect from water.

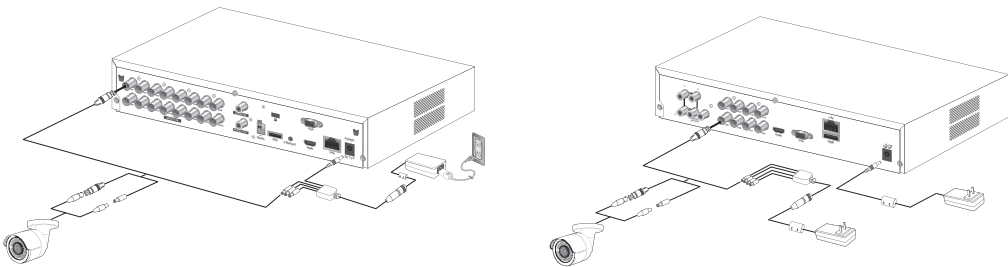
1. Connect power supply and BNC power source.
2. Cover black sheath of the cable (Zone A), and ensure half of butyl rubber can cover the cable joint.

- !**
- Poor water protection at the cable sheath may cause water leakage. Make sure to wrap tightly.
  - The water-proof butyl rubber is made of rubber that expands to twice the original length.
  - If you do not use cable joint, it must be covered with water-proof tape.



## CONNECTING THE DVR

Connect the BNC connector of the camera to the enclosed 60ft camera cable, and then connect the BNC connector of the camera cable to the BNC Video Input port of the DVR.



- !**
- The way to connect the power adaptor to the camera may vary depending on the DVR model. You may select one among the methods provided above as appropriate.

# SPECIFICATIONS

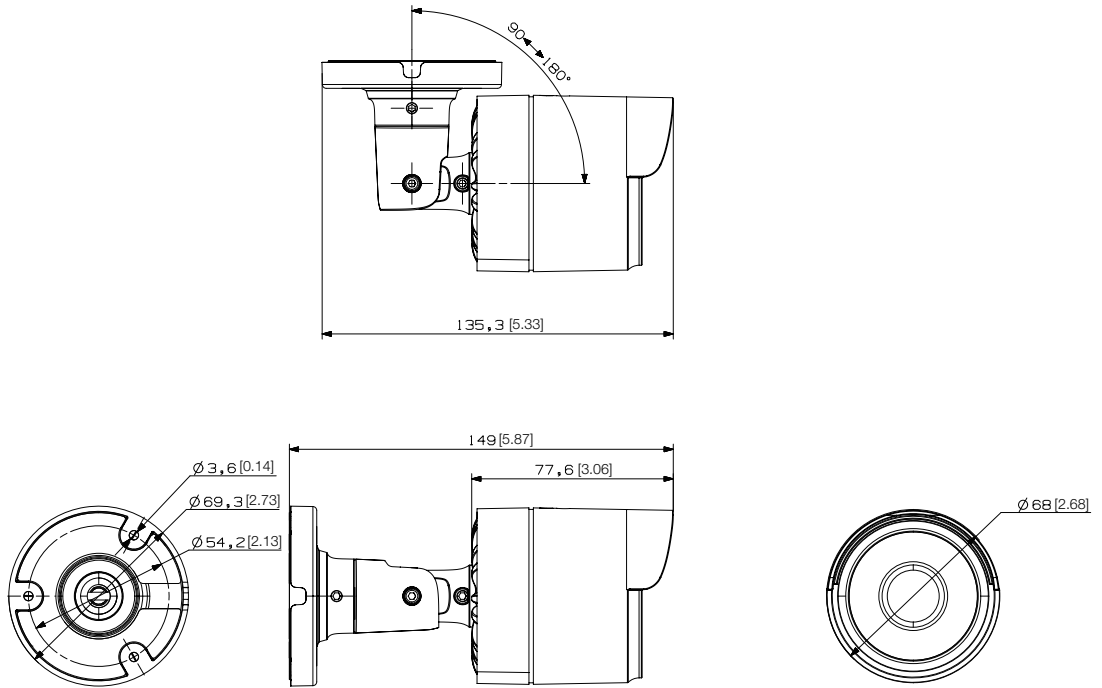
## CAMERA MODEL: SDC-9443BC

Item	Details
<b>Video</b>	
Imaging Device	2M CMOS (1/2.7")
Effective Pixels	1920(H) x 1080(V)
Scanning System	Progressive, 30fps/25fps
Synchronization	Internal
Horizontal Resolution	1080P
Min. Illumination	0 Lux (IR LED ON)
Camera Output	1CH BNC
	Max. Transmission Length: 180ft (3EA attached 60ft camera cable combined)
<b>Lens</b>	
Focal Length	3.6mm
Max. Aperture Ratio	F2.1
Angular Field of View(H / V / D)	D:105°/H:88°/V:46°
<b>Operational</b>	
Shutter Mode	Auto(Rolling Shutter)
Gain Control	Auto
White Balance	Auto (1800~10500°K)
Wide Dynamic Range	N/A
Contrast Enhancement	Auto
Digital Noise Reduction	3DNR
OSD	N/A
Flickerless	Auto
Day & Night	TRUE D/N, Auto
IR Distance	82ft(Total Darkness)/130ft(Ambient Lighting)
<b>Environmental</b>	
Operating Temperature / Humidity	-30°C ~ +50°C (-22°F ~ +122°F) / Less than 90% RH
Ingress Protection	IP66
<b>Electrical</b>	
Input Voltage	DC 12V
Power Consumption	4W(IR LEDS ON)
<b>Mechanical</b>	
Color / Material	White / Metal
Dimension (Ø x D)	Ø68 x D149mm (2.68" x 5.87")
Weight	0.32kg

# DIMENSION

## CAMERA

Unit: mm (inch)





Hanwha Techwin cares for the environment at all product manufacturing stages, and is taking measures to provide customers with more environmentally friendly products.

The Eco mark represents Hanwha Techwin's devotion to creating environmentally friendly products, and indicates that the product satisfies the EU RoHS Directive.



#### **Correct Disposal of This Product (Waste Electrical & Electronic Equipment)**

(Applicable in the European Union and other European countries with separate collection systems)

This marking on the product, accessories or literature indicates that the product and its electronic accessories (e.g. charger, headset, USB cable) should not be disposed of with other household waste at the end of their working life. To prevent possible harm to the environment or human health from uncontrolled waste disposal, please separate these items from other types of waste and recycle them responsibly to promote the sustainable reuse of material resources.

Household users should contact either the retailer where they purchased this product, or their local government office, for details of where and how they can take these items for environmentally safe recycling.

Business users should contact their supplier and check the terms and conditions of the purchase contract. This product and its electronic accessories should not be mixed with other commercial wastes for disposal.



#### **Correct disposal of batteries in this product**

(Applicable in the European Union and other European countries with separate battery return systems.)

This marking on the battery, manual or packaging indicates that the batteries in this product should not be disposed of with other household waste at the end of their working life. Where marked, the chemical symbols Hg, Cd or Pb indicate that the battery contains mercury, cadmium or lead above the reference levels in EC Directive 2006/66. If batteries are not properly disposed of, these substances can cause harm to human health or the environment.

To protect natural resources and to promote material reuse, please separate batteries from other types of waste and recycle them through your local, free battery return system.



---

**Head Office**

86 Cheonggyecheon-ro Jung-gu Seoul 04541 Korea  
Tel +82.2.729.5277, 5254 Fax +82.2.729.5489  
[www.hanwha-security.com](http://www.hanwha-security.com)

---

**Hanwha Techwin America**

500 Frank W. Burr Blvd. Suite 43 Teaneck, NJ 07666  
Toll Free +1.877.213.1222 Direct +1.201.325.6920  
Fax +1.201.373.0124

---

**Hanwha Techwin Europe**

Heriot House, Heriot Road, Chertsey, Surrey, KT16 9DT, United Kingdom  
Tel +44.1932.57.8100 Fax +44.1932.57.8101

---