

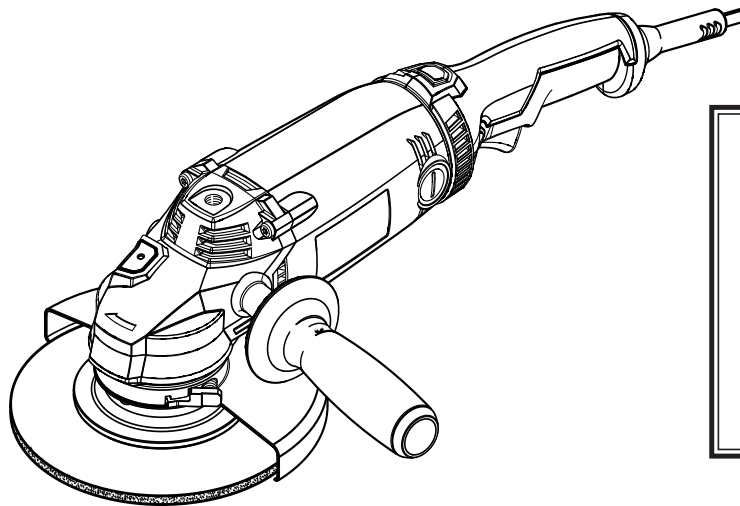
OPERATOR'S MANUAL MANUEL D'UTILISATION MANUAL DEL OPERADOR

7 in. ANGLE GRINDER DOUBLE INSULATED

178 mm (7 po) MEULEUSE D'ANGLE
DOUBLE ISOLATION

178 mm (7 pulg.) AMALADORA ANGULAR
DOBLE AISLAMIENTO

R1020



To register your RIDGID product, please visit:
<http://register.RIDGID.com>

Pour enregistrer votre produit de RIDGID, s'il vous plaît la visite:
<http://register.RIDGID.com>

Para registrar su producto de RIDGID, por favor visita:
<http://register.RIDGID.com>

Your angle grinder has been engineered and manufactured to our high standards for dependability, ease of operation, and operator safety. When properly cared for, it will give you years of rugged, trouble-free performance.

⚠ WARNING:

To reduce the risk of injury, the user must read and understand the operator's manual before using this product.

Thank you for buying a RIDGID® product.

SAVE THIS MANUAL FOR FUTURE REFERENCE

Cette meuleuse d'angle a été conçue et fabriquée conformément à nos strictes normes de fiabilité, simplicité d'emploi et sécurité d'utilisation. Correctement entretenue, elle vous donnera des années de fonctionnement robuste et sans problèmes.

⚠ AVERTISSEMENT :

Pour réduire les risques de blessures, l'utilisateur doit lire et veiller à bien comprendre le manuel d'utilisation avant d'employer ce produit.

Merci d'avoir acheté un produit RIDGID®.

**CONSERVER CE MANUEL POUR
FUTURE RÉFÉRENCE**

Su amoladora angular ha sido diseñada y fabricada de conformidad con nuestras estrictas normas para brindar fiabilidad, facilidad de uso y seguridad para el operador. Con el debido cuidado, le brindará muchos años de sólido funcionamiento y sin problemas.

⚠ ADVERTENCIA:

Para reducir el riesgo de lesiones, el usuario debe leer y comprender el manual del operador antes de usar este producto.

Le agradecemos la compra de un producto RIDGID®.

**GUARDE ESTE MANUAL PARA
FUTURAS CONSULTAS**

TABLE OF CONTENTS

TABLE DES MATIÈRES / ÍNDICE DE CONTENIDO

■ Introduction	2
Introduction / Introducción	
■ General Safety Rules	3-4
Règles de sécurité générales / Reglas de seguridad generales	
■ Specific Safety Rules.....	4
Règles de sécurité particulières / Reglas de seguridad específicas	
■ Symbols.....	5
Symboles / Símbolos	
■ Electrical	6
Caractéristiques électriques / Aspectos eléctricos	
■ Features.....	7
Caractéristiques / Características	
■ Assembly	7-9
Assemblage / Armado	
■ Operation.....	9-10
Utilisation / Funcionamiento	
■ Maintenance.....	11
Entretien / Mantenimiento	
■ Warranty	12
Garantie / Garantía	
■ Figure numbers (illustrations)	13-14
Figure numéros (illustrations) / Figura numeras (ilustraciones)	
■ Parts Ordering and Service	Back Page
Commande de pièces et réparation / Pedidos de piezas y servicio	Page arrière / Pág. posterior

INTRODUCTION

INTRODUCTION / INTRODUCCIÓN

This product has many features for making its use more pleasant and enjoyable. Safety, performance, and dependability have been given top priority in the design of this product making it easy to maintain and operate.

* * *

Ce produit offre de nombreuses fonctions destinées à rendre son utilisation plus plaisante et satisfaisante. Lors de la conception de ce produit, l'accent a été mis sur la sécurité, les performances et la fiabilité, afin d'en faire un outil facile à utiliser et à entretenir.

* * *

Este producto ofrece numerosas características para hacer más agradable y placentero su uso. En el diseño de este producto se ha conferido prioridad a la seguridad, el desempeño y la fiabilidad, por lo cual se facilita su manejo y mantenimiento.

GENERAL SAFETY RULES

WARNING:

Read and understand all instructions. Failure to follow all instructions listed below, may result in electric shock, fire and/or serious personal injury.

SAVE THESE INSTRUCTIONS

WORK AREA

- **Keep your work area clean and well lit.** Cluttered benches and dark areas invite accidents.
- **Do not operate power tools in explosive atmospheres, such as in the presence of flammable liquids, gases, or dust.** Power tools create sparks which may ignite the dust or fumes.
- **Keep bystanders, children, and visitors away while operating a power tool.** Distractions can cause you to lose control.

ELECTRICAL SAFETY

- **Double insulated tools are equipped with a polarized plug (one blade is wider than the other). This plug will fit in a polarized outlet only one way. If the plug does not fit fully in the outlet, reverse the plug. If it still does not fit, contact a qualified electrician to install a polarized outlet. Do not change the plug in any way.** Double insulation eliminates the need for the three-wire grounded power cord and grounded power supply system.
- **Avoid body contact with grounded surfaces such as pipes, radiators, ranges, and refrigerators.** There is an increased risk of electric shock if your body is grounded.
- **Don't expose power tools to rain or wet conditions.** Water entering a power tool will increase the risk of electric shock.
- **Do not abuse the cord. Never use the cord to carry the tools or pull the plug from an outlet. Keep cord away from heat, oil, sharp edges, or moving parts. Replace damaged cords immediately.** Damaged cords increase the risk of electric shock.
- **When operating a power tool outside, use an outdoor extension cord marked "W-A" or "W".** These cords are rated for outdoor use and reduce the risk of electric shock.

PERSONAL SAFETY

- **Stay alert, watch what you are doing and use common sense when operating a power tool. Do not use tool while tired or under the influence of drugs, alcohol, or medication.** A moment of inattention while operating power tools may result in serious personal injury.
- **Dress properly. Do not wear loose clothing or jewelry. Contain long hair. Keep your hair, clothing, and gloves away from moving parts.** Loose clothes, jewelry, or long hair can be caught in moving parts.

- **Avoid accidental starting. Be sure switch is off before plugging in.** Carrying tools with your finger on the switch or plugging in tools that have the switch on invites accidents.
- **Remove adjusting keys or wrenches before turning the tool on.** A wrench or a key that is left attached to a rotating part of the tool may result in personal injury.
- **Do not overreach. Keep proper footing and balance at all times.** Proper footing and balance enables better control of the tool in unexpected situations.
- **Use safety equipment. Always wear eye protection.** Dust mask, nonskid safety shoes, hard hat, or hearing protection must be used for appropriate conditions.
- **Do not wear loose clothing or jewelry. Contain long hair.** Loose clothes, jewelry, or long hair can be drawn into air vents.
- **Do not use on a ladder or unstable support.** Stable footing on a solid surface enables better control of the tool in unexpected situations.

TOOL USE AND CARE

- **Use clamps or other practical way to secure and support the workpiece to a stable platform.** Holding the work by hand or against your body is unstable and may lead to loss of control.
- **Do not force tool. Use the correct tool for your application.** The correct tool will do the job better and safer at the rate for which it is designed.
- **Do not use tool if switch does not turn it on or off.** Any tool that cannot be controlled with the switch is dangerous and must be repaired.
- **Disconnect the plug from power source before making any adjustments, changing accessories, or storing the tool.** Such preventive safety measures reduce the risk of starting the tool accidentally.
- **Store idle tools out of the reach of children and other untrained persons.** Tools are dangerous in the hands of untrained users.
- **Maintain tools with care. Keep cutting tools sharp and clean.** Properly maintained tools with sharp cutting edges are less likely to bind and are easier to control.
- **Check for misalignment or binding of moving parts, breakage of parts, and any other condition that may affect the tool's operation. If damaged, have the tool serviced before using.** Many accidents are caused by poorly maintained tools.
- **Use only accessories that are recommended by the manufacturer for your model.** Accessories that may be suitable for one tool, may become hazardous when used on another tool.
- **Keep the tool and its handle dry, clean and free from oil and grease.** Always use a clean cloth when cleaning. Never use brake fluids, gasoline, petroleum-based products, or any strong solvents to clean your tool. Following this rule will reduce the risk of loss of control and deterioration of the enclosure plastic.

GENERAL SAFETY RULES

SERVICE

- **Tool service must be performed only by qualified repair personnel.** Service or maintenance performed by unqualified personnel may result in a risk of injury.
- **When servicing a tool, use only identical replacement parts. Follow instructions in the Maintenance section of this manual.** Use of unauthorized parts or failure to follow Maintenance Instructions may create a risk of shock or injury.

SPECIFIC SAFETY RULES

- **Always use proper guard with grinding wheel.** A guard protects operator from broken wheel fragments.
- **Accessories must be rated for at least the speed recommended on the tool warning label.** Wheels and other accessories running over rated speed can fly apart and cause injury.
- **Hold tool by insulated gripping surfaces when performing an operation where the cutting tool may contact hidden wiring or its own cord.** Contact with a “live” wire will make exposed metal parts of the cutting tool “live” and shock the operator.
- **Know your power tool. Read operator’s manual carefully. Learn its applications and limitations, as well as the specific potential hazards related to this tool.** Following this rule will reduce the risk of electric shock, fire, or serious injury.
- **Always wear eye protection marked to comply with ANSI Z87.1.** Following this rule will reduce the risk of serious personal injury.
- **Protect your lungs. Wear a face or dust mask if the operation is dusty.** Following this rule will reduce the risk of serious personal injury.
- **Protect your hearing. Wear hearing protectors during extended periods of operation.** Following this rule will reduce the risk of serious personal injury.
- **Inspect tool cords periodically and, if damaged, have repaired at your nearest authorized service center. Constantly stay aware of cord location.** Following this rule will reduce the risk of electric shock or fire.
- **Check damaged parts. Before further use of the tool, a guard or other part that is damaged should be carefully checked to determine that it will operate properly and perform its intended function. Check for alignment of moving parts, binding of moving parts, breakage of parts, mounting, and any other conditions that may affect its operation. A guard or other part that is damaged should be properly repaired or replaced by an authorized service center.** Following this rule will reduce the risk of shock, fire, or serious injury.
- **Make sure your extension cord is in good condition. When using an extension cord, be sure to use one heavy enough to carry the current your product will draw. A wire gauge size (A.W.G.) of at least 14 is recommended for an extension cord 25 feet or less in length. A cord exceeding 50 feet is not recommended. If in doubt, use the next heavier gauge. The smaller the gauge number, the heavier the cord.** An undersized cord will cause a drop in line voltage resulting in loss of power and overheating.
- **Inspect for and remove all nails from lumber before using this tool.** Following this rule will reduce the risk of serious personal injury.
- **If the power supply cord is damaged,** it must be replaced only by the manufacturer or by an authorized service center to avoid risk.
- **Save these instructions.** Refer to them frequently and use them to instruct others who may use this tool. If you loan someone this tool, loan them these instructions also.

WARNING:




Some dust created by power sanding, sawing, grinding, drilling, and other construction activities contains chemicals known to cause cancer, birth defects or other reproductive harm. Some examples of these chemicals are:

- lead from lead-based paints,
- crystalline silica from bricks and cement and other masonry products, and
- arsenic and chromium from chemically-treated lumber.






Your risk from these exposures varies, depending on how often you do this type of work. To reduce your exposure to these chemicals: work in a well ventilated area, and work with approved safety equipment, such as those dust masks that are specially designed to filter out microscopic particles.

SYMBOLS

The following signal words and meanings are intended to explain the levels of risk associated with this product.

SYMBOL	SIGNAL	MEANING
	DANGER:	Indicates an imminently hazardous situation, which, if not avoided, will result in death or serious injury.
	WARNING:	Indicates a potentially hazardous situation, which, if not avoided, could result in death or serious injury.
	CAUTION:	Indicates a potentially hazardous situation, which, if not avoided, may result in minor or moderate injury.
	CAUTION:	(Without Safety Alert Symbol) Indicates a situation that may result in property damage.

Some of the following symbols may be used on this product. Please study them and learn their meaning. Proper interpretation of these symbols will allow you to operate the product better and safer.

SYMBOL	NAME	DESIGNATION/EXPLANATION
	Safety Alert	Indicates a potential personal injury hazard.
V	Volts	Voltage
A	Amperes	Current
Hz	Hertz	Frequency (cycles per second)
W	Watt	Power
min	Minutes	Time
~	Alternating Current	Type of current
n_0	No Load Speed	Rotational speed, at no load
	Class II Construction	Double-insulated construction
.../min	Per Minute	Revolutions, strokes, surface speed, orbits etc., per minute
	Wet Conditions Alert	Do not expose to rain or use in damp locations.
	Read The Operator's Manual	To reduce the risk of injury, user must read and understand operator's manual before using this product.
	Eye Protection	Always wear safety goggles or safety glasses with side shields and, when needed, a full face shield. Always use eye protection which is marked to comply with ANSI Z87.1.

ELECTRICAL

DOUBLE INSULATION

Double insulation is a concept in safety in electric power tools, which eliminates the need for the usual three-wire grounded power cord. All exposed metal parts are isolated from the internal metal motor components with protecting insulation. Double insulated products do not need to be grounded.

WARNING:

The double insulated system is intended to protect the user from shock resulting from a break in the product's internal wiring. Observe all normal safety precautions to avoid electrical shock.

NOTE: Servicing of a product with double insulation requires extreme care and knowledge of the system and should be performed only by a qualified service technician. For service, we suggest you return the product to your nearest authorized service center for repair. Always use original factory replacement parts when servicing.

ELECTRICAL CONNECTION

This product has a precision-built electric motor. It should be connected to a **power supply that is 120 volts, AC only (normal household current), 60 Hz.** Do not operate this product on direct current (DC). A substantial voltage drop will cause a loss of power and the motor will overheat. If the product does not operate when plugged into an outlet, double-check the power supply.

EXTENSION CORDS

When using a power tool at a considerable distance from a power source, be sure to use an extension cord that has the capacity to handle the current the product will draw. An undersized cord will cause a drop in line voltage, resulting in overheating and loss of power. Use the chart to determine the minimum wire size required in an extension cord. Only round jacketed cords listed by Underwriter's Laboratories (UL) should be used.

When working outdoors with a product, use an extension cord that is designed for outside use. This type of cord is designated with "WA" or "W" on the cord's jacket.

Before using any extension cord, inspect it for loose or exposed wires and cut or worn insulation.

**Ampere rating (on product data plate)

	0-2.0	2.1-3.4	3.5-5.0	5.1-7.0	7.1-12.0	12.1-16.0
Cord Length	Wire Size (A.W.G.)					
25'	16	16	16	16	14	14
50'	16	16	16	14	14	12
100'	16	16	14	12	10	—

**Used on 12 gauge - 20 amp circuit.

NOTE: AWG = American Wire Gauge

WARNING:

Keep the extension cord clear of the working area. Position the cord so that it will not get caught on lumber, tools, or other obstructions while you are working with a power tool. Failure to do so can result in serious personal injury.

WARNING:

Check extension cords before each use. If damaged replace immediately. Never use tool with a damaged cord since touching the damaged area could cause electrical shock resulting in serious injury.

FEATURES

PRODUCT SPECIFICATIONS

Grinding Wheel Capacity..... 7 in.
Spindle Thread 5/8 in. x 11 UNC
No Load Speed 8,000 r/min. (RPM)

Input 120 V, AC only, 60 Hz, 13 Amps
Net Weight..... 8 lbs.

KNOW YOUR ANGLE GRINDER

See Figure 1, page 13.

The safe use of this product requires an understanding of the information on the product and in this operator's manual as well as a knowledge of the project you are attempting. Before use of this product, familiarize yourself with all operating features and safety rules.

AUTO-STOP CARBON BRUSHES

When the auto-stop carbon brushes wear down to a predetermined level, the angle grinder automatically switches off, ruling out the possibility of damage to the armature.

LOCK-ON BUTTON

The lock-on button is convenient for continuous grinding for extended periods of time.

ROTATING HANDLE

The handle can be rotated 90° to the left and right for ease of use.

SIDE HANDLE

The side handle provided stabilizes your grinder and must be used during all operations. In addition to maintaining safe control during use, the side handle also provides convenient ease of operation for the operator.

SPINDLE LOCK BUTTON

The spindle lock button secures the spindle so that only one wrench is needed to change the grinding wheel.

SWITCH TRIGGER

The angle grinder has a conveniently located switch trigger.

TOOLLESS GUARD

A toolless protective guard deflects sparks and metal chips during use.

ASSEMBLY

UNPACKING

This product requires assembly.

- Carefully remove the product and any accessories from the box. Make sure that all items listed in the packing list are included.

WARNING:

This new product has been shipped in a partially assembled condition as described below. Carefully check the packing list below to ensure all items are included in the package. The packing list describes all loose items that are not assembled to the product as shipped. Do not operate the product if any packing list items are already assembled to your product when you unpack it. Call the customer service number below for assistance. Operation of a product that may have been improperly preassembled could result in serious personal injury.

- Inspect the product carefully to make sure no breakage or damage occurred during shipping.
- Do not discard the packing material until you have carefully inspected and satisfactorily operated the product.
- If any parts are damaged or missing, please call 1-866-539-1710 for assistance.

PACKING LIST

Angle Grinder
Guard
Clamp Nut
Disc Flange
Grinding Wheel
Side Handle
Wrench
Operator's Manual

ASSEMBLY

WARNING:

If any parts are damaged or missing do not operate this product until the parts are replaced. Failure to heed this warning could result in serious personal injury.

WARNING:

Do not attempt to modify this product or create accessories not recommended for use with this product. Any such alteration or modification is misuse and could result in a hazardous condition leading to possible serious personal injury.

WARNING:

Do not connect to power supply until assembly is complete. Failure to comply could result in accidental starting and possible serious personal injury.

INSTALLING THE GUARD

See Figure 2, page 13.

- Place the guard on the shoulder of the bearing cap by aligning index arrows on guard and bearing cap. Press down on guard until it is fully seated.
- Depress the lever and rotate guard to the correct position. Refer to **Positioning the Guard**.

NOTE: Be sure the raised ridge on the guard is seated in the groove on the bearing cap.

- Install disc flange, grinding wheel, and clamp nut. Refer to **Installing/Replacing Grinding Wheel**.
- Tighten clamp nut securely with the wrench provided.

INSTALLING/REPLACING GRINDING WHEEL

See Figure 2, page 13.

WARNING:

Thoroughly inspect a new grinding wheel before you install it on the grinder.

- Tap lightly around the wheel using a wooden hammer.
- Listen carefully to the resulting sounds. Places with fissures or cracks will result in a different sound.

Do not use a wheel containing fissures or cracks. When you install a new grinding wheel, carry out a no load revolution test of approximately one minute with the grinding wheel facing a safe direction, i.e., away from people or objects.

- Unplug the grinder.
- Depress the spindle lock button and rotate the clamp nut until the spindle locks.

NOTE: To prevent damage to the spindle or spindle lock, always allow motor to come to a complete stop before engaging spindle lock.

- Loosen and remove the clamp nut from the spindle. Do not remove the disc flange.
 - Make sure the flats on the bottom of the disc flange are engaged with the flats on the spindle.
 - Place the grinding wheel over the spindle.
 - Thread the clamp nut on the spindle with the flat side of the nut facing up.
 - Fit the raised, small diameter portion of the clamp nut into the hole in the wheel and finger tighten.
-

WARNING:

Always install a grinding wheel with the depressed center against the disc flange. Failure to do so will cause the grinding wheel to crack when tightening the clamp nut. This could result in serious personal injury because of loose particles breaking off and being thrown from the grinder. Do not overtighten.

- Depress the spindle lock button and rotate the wheel clockwise until the spindle locks in position.
 - Tighten the clamp nut securely with the wrench provided. Do not overtighten.
-

DANGER:

Never attach a TYPE 1 straight or cut-off wheel to this angle grinder. It is only designed for grinding. Use for any other purpose is not recommended and creates a hazard, which will result in serious injury.

ATTACHING THE SIDE HANDLE

See Figure 3, page 13.

- Unplug the grinder.
- Screw the handle into the side of the gear housing.

NOTE: You can install the handle on either the left or right side of the grinder, depending on operator preference. It must always be used to prevent loss of control and possible serious injury.

- Tighten the side handle securely.

POSITIONING THE GUARD

See Figures 4 - 6, page 13

The guard on the grinder should be correctly installed depending on which side the handle is mounted. Never use the grinder without the guard correctly in place or when the index arrows are aligned.

ASSEMBLY

WARNING:

Never place the guard so that it is in front of the grinder. This could result in serious injury because sparks and loose particles thrown from the grinding wheel would be directed toward the operator. Always place the guard in the correct location as shown.

To adjust the guard:

- Unplug the grinder.
- Depress lever and rotate the guard to its correct position as shown.

NOTE: Be sure the raised ridge on the guard is seated in the groove on the bearing cap. Never use the grinder without the guard in place and properly adjusted.

OPERATION

WARNING:

Do not allow familiarity with this product to make you careless. Remember that a careless fraction of a second is sufficient to inflict severe injury.

WARNING:

Always use eye protection which is marked to comply with ANSI Z87.1. Failure to do so could result in objects being thrown into your eyes resulting in possible serious injury.

WARNING:

Do not use any attachments or accessories not recommended by the manufacturer of this product. The use of attachments or accessories not recommended can result in serious personal injury.

DANGER:

Use ONLY Type 27 depressed center wheels (such as the one provided with this product). NEVER attach a Type 1 straight or cut-off wheel to this angle grinder. cutsanding. Use for any other purpose is not recommended and creates a hazard, which will result in serious injury.

TYPE 27 – OK TO USE



TYPE 1 – DO NOT USE



TURNING THE GRINDER ON/OFF

See Figure 7, page 14.

To turn the grinder ON:

- Depress the switch trigger.

To turn the grinder OFF:

- Release the switch trigger.

LOCK-ON BUTTON

See Figure 7, page 14.

This grinder is equipped with a lock-on feature, which is convenient for continuous grinding for extended periods of time. To lock-on:

- Hold the grinder in front and away from you, keeping the grinding wheel clear of the workpiece.
- Depress the switch trigger.
- Push in and hold the lock-on button, located on the side of the handle.
- Release the switch trigger.
- Release the lock-on button and the grinder will continue running.
- To release the lock, depress and release the switch trigger.

NOTE: If the lock-on feature is engaged and the grinder becomes disconnected from the power supply, disengage the lock-on feature immediately.

APPLICATIONS

You may use this product for the purposes listed below:

- Grinding metals
- Sanding wood or metal surfaces

DANGER:

Never attach a wood cutting or carving blade of any type to this angle grinder. It is only designed for grinding and sanding. Use for any other purpose is not recommended and creates a hazard, which will result in serious injury.

OPERATION

ADJUSTING THE ROTATING HANDLE

See Figure 8, page 14.

The handle can be rotated 90° to the left and right.

- Unplug the angle grinder.
- Depress the handle lock button and rotate the handle to the desired position.
- Release handle lock button and make sure handle is locked into position.

WARNING:

To prevent loss of control and possible serious injury, always operate the grinder with the handle locked into position.

OPERATING THE GRINDER

See Figure 9, page 14.

Always carefully select and use grinding wheels that are recommended for the material to be ground. Make sure that the minimum operating speed of any accessory wheel selected is 8,000 r/min. or more. The grinding wheel provided with the grinder is suitable for grinding welds, preparing surfaces to be welded, grinding structural steel, and grinding stainless steel.

To operate the grinder:

- Secure all work in a vise or clamp to a workbench.

DANGER:

Never use the grinder with the guard removed. It has been designed for use only with the guard installed. Attempting to use grinder with guard removed will result in loose particles being thrown against the operator resulting in serious personal injury.

- Hold the grinder in front and away from you with both hands, keeping the grinding wheel clear of the workpiece.
- Turn on the grinder and let the motor and grinding wheel build up to full speed.
- Lower the grinder gradually until the grinding wheel contacts the workpiece.
- Keep the grinder tilted at an angle from 5 to 15 degrees.

WARNING:

To prevent loss of control and possible serious personal injury, always operate the grinder with both hands, keeping one hand on the side handle.

- Move the grinder continuously at a steady, consistent pace.
-

CAUTION:

If the grinder is held in one spot too long, it will gouge and cut grooves in the workpiece. If the grinder is held at too sharp an angle, it will also gouge the workpiece because of concentration of pressure on a small area.

- Use just enough pressure to keep the grinder from chattering or bouncing.

NOTE: Heavy pressure will decrease the grinder's speed and put a strain on the motor. Normally the weight of the tool alone is adequate for most grinding jobs. Use light pressure when grinding jagged edges or loose bolts where there is the potential for the grinder to snag on the metal edge.

- Lift the grinder away from the workpiece before turning off the grinder.

MAINTENANCE

WARNING:

When servicing use only identical RIDGID® replacement parts. Use of any other parts may create a hazard or cause product damage.

WARNING:

Always use eye protection which is marked to comply with ANSI Z87.1 during power tool operation or when blowing dust. If operation is dusty, also wear a dust mask.

GENERAL MAINTENANCE

Avoid using solvents when cleaning plastic parts. Most plastics are susceptible to damage from various types of commercial solvents and may be damaged by their use. Use clean cloths to remove dirt, dust, oil, grease, etc.

WARNING:

Do not at any time let brake fluids, gasoline, petroleum-based products, penetrating oils, etc., come in contact with plastic parts. Chemicals can damage, weaken or destroy plastic which may result in serious personal injury.

Electric tools used on fiberglass material, wallboard, spackling compounds, or plaster are subject to accelerated wear and possible premature failure because the fiberglass chips and grindings are highly abrasive to bearings, brushes, commutators, etc. Consequently, we do not recommend using this product for extended work on these types of materials. However, if you do work with any of these materials, it is extremely important to clean the product using compressed air.

LUBRICATION

All of the bearings in this product are lubricated with a sufficient amount of high grade lubricant for the life of the unit under normal operating conditions. Therefore, no further lubrication is required.

REPLACING THE GUARD

After extended use, the guard may wear and need replacing. If you drop the grinder and damage the guard it may also be necessary for you to replace it. Refer to **Installing the Guard** earlier in this manual.

BRUSH REPLACEMENT

See Figure 10, page 14.

This product has externally accessible brush assemblies that should be periodically checked for wear.

- Unplug the angle grinder.
- With a flat head screwdriver, remove the brush caps. The brush assembly is spring loaded and will pop out when you remove the brush cap.
- Remove the brush assembly (brush and spring). Check for wear. Replace both brushes when either has less than 1/4 in. length of carbon remaining. **Do not** replace one side without replacing the other.
- Reassemble using new brush assemblies. Make sure curvature of brush matches curvature of motor and that brush moves freely in brush tube.
- Replace brush cap and tighten securely. Do not over-tighten.

NOTE: FIGURES (ILLUSTRATIONS) START ON PAGE 13 AFTER FRENCH AND SPANISH LANGUAGE SECTIONS

WARRANTY

RIDGID® HAND HELD AND STATIONARY POWER TOOL

3 YEAR LIMITED SERVICE WARRANTY

Proof of purchase must be presented when requesting warranty service.

Limited to RIDGID® hand held and stationary power tools purchased 2/1/04 and after. This product is manufactured by One World Technologies, Inc. The trademark is licensed from RIDGID, Inc. All warranty communications should be directed to One World Technologies, Inc., attn: RIDGID Hand Held and Stationary Power Tool Technical Service at (toll free) 1-866-539-1710.

90-DAY SATISFACTION GUARANTEE POLICY

During the first 90 days after the date of purchase, if you are dissatisfied with the performance of this RIDGID® Hand Held and Stationary Power Tool for any reason you may return the tool to the dealer from which it was purchased for a full refund or exchange. To receive a replacement tool you must present proof of purchase and return all original equipment packaged with the original product. The replacement tool will be covered by the limited warranty for the balance of the 3 YEAR service warranty period.

WHAT IS COVERED UNDER THE 3 YEAR

LIMITED SERVICE WARRANTY

This warranty on RIDGID® Hand Held and Stationary Power Tools covers all defects in workmanship or materials and normal wear items such as brushes, chucks, motors, switches, cords, gears and even cordless batteries in this RIDGID® tool for three years following the purchase date of the tool. Warranties for other RIDGID® products may vary.

HOW TO OBTAIN SERVICE

To obtain service for this RIDGID® tool you must return it; freight prepaid, or take it in to an authorized service center for RIDGID® branded hand held and stationary power tools. You may obtain the location of the authorized service center nearest you by calling (toll free) 1-866-539-1710 or by logging on to the RIDGID® website at www.ridgid.com. When requesting warranty service, you must present the original dated sales receipt. The authorized service center will repair any faulty workmanship, and either repair or replace any part covered under the warranty, at our option, at no charge to you.

WHAT IS NOT COVERED

This warranty applies only to the original purchaser at retail and may not be transferred. This warranty only covers defects arising under normal usage and does not cover any malfunction, failure or defect resulting from misuse, abuse, neglect, alteration, modification or repair by other than an authorized service center for RIDGID® branded hand held and stationary power tools. Consumable accessories provided with the tool such as, but not limited to, blades, bits and sand paper are not covered.

RIDGID, INC. AND ONE WORLD TECHNOLOGIES, INC. MAKE NO WARRANTIES, REPRESENTATIONS OR PROMISES AS TO THE QUALITY OR PERFORMANCE OF ITS POWER TOOLS OTHER THAN THOSE SPECIFICALLY STATED IN THIS WARRANTY.

ADDITIONAL LIMITATIONS

To the extent permitted by applicable law, all implied warranties, including warranties of MERCHANTABILITY or FITNESS FOR A PARTICULAR PURPOSE, are disclaimed. Any implied warranties, including warranties of merchantability or fitness for a particular purpose, that cannot be disclaimed under state law are limited to three years from the date of purchase. One World Technologies, Inc. and RIDGID, Inc. are not responsible for direct, indirect, incidental or consequential damages. Some states do not allow limitations on how long an implied warranty lasts and/or do not allow the exclusion or limitation of incidental or consequential damages, so the above limitations may not apply to you. This warranty gives you specific legal rights, and you may also have other rights which vary from state to state.

One World Technologies, Inc.

P.O. Box 35, Hwy. 8

Pickens, SC 29671

RÈGLES DE SÉCURITÉ GÉNÉRALES

AVERTISSEMENT :

Lire et veiller à bien comprendre toutes les instructions. Le non respect de toutes les instructions ci-dessous peut entraîner un choc électrique, un incendie et / ou des blessures graves.

CONSERVER CES INSTRUCTIONS

LIEU DE TRAVAIL

- **Garder le lieu de travail propre et bien éclairé.** Les établis encombrés et les endroits sombres sont propices aux accidents.
- **Ne pas utiliser d'outils électriques dans des atmosphères explosives, par exemple en présence de liquides, gaz ou poussières inflammables.** Les outils électriques produisent des étincelles risquant d'enflammer les poussières ou vapeurs.
- **Garder les badauds, enfants et visiteurs à l'écart pendant l'utilisation d'un outil électrique.** Les distractions peuvent causer une perte de contrôle.

SÉCURITÉ ÉLECTRIQUE

- **Les outils à double isolation sont équipés d'une fiche polarisée (une broche est plus large que l'autre). Cette fiche ne peut être branchée sur une prise polarisée que dans un sens. Si la fiche ne peut pas être insérée dans la prise, l'inverser. Si elle ne peut toujours pas être insérée, faire installer une prise polarisée par un électricien qualifié. Ne pas modifier la fiche, de quelque façon que ce soit.** La double isolation élimine le besoin de cordon d'alimentation à trois fils et d'un circuit secteur mis à la terre.
- **Éviter tout contact du corps avec des surfaces mises à la terre, telles que tuyaux, radiateurs, cuisinières et réfrigérateurs.** Le risque de choc électrique est accru lorsque le corps est mis à la terre.
- **Ne pas exposer les outils électriques à la pluie ou l'humidité.** La pénétration d'eau dans ces outils accroît le risque de choc électrique.
- **Ne pas maltraiter le cordon d'alimentation. Ne jamais utiliser le cordon d'alimentation pour transporter l'outil et ne jamais débrancher ce dernier en tirant sur le cordon. Garder le cordon à l'écart de la chaleur, de l'huile, des objets tranchants et des pièces en mouvement. Remplacer immédiatement tout cordon endommagé.** Un cordon endommagé accroît le risque de choc électrique.
- **Pour les travaux à l'extérieur, utiliser un cordon spécialement conçu à cet effet, marqué « W-A » ou « W ».** Ces cordons réduisent les risques de choc électrique.

SÉCURITÉ PERSONNELLE

- **Rester attentif, prêter attention au travail et faire preuve de bon sens lors de l'utilisation de tout outil électrique. Ne pas utiliser cet outil en état de fatigue ou sous l'influence d'alcool, de drogues ou de médicaments.** Un moment d'inattention pendant l'utilisation d'un outil électrique peut entraîner des blessures graves.
- **Porter une tenue appropriée. Ne porter ni vêtements amples, ni bijoux. Attacher ou couvrir les cheveux longs.**

Garder les cheveux, les vêtements et les gants à l'écart des pièces en mouvement. Les vêtements amples, bijoux et cheveux longs peuvent se prendre dans les pièces en mouvement.

- **Éviter les démarrages accidentels. S'assurer que le commutateur est en position d'arrêt avant de brancher l'outil.** Porter un outil avec le doigt sur son commutateur ou brancher un outil dont le commutateur est en position de marche de marche peut causer un accident.
- **Retirer les outils et clés de réglage avant de mettre l'outil en marche.** Un outil ou une clé laissée sur une pièce rotative de l'outil peut causer des blessures.
- **Ne pas travailler hors de portée. Toujours se tenir bien campé et en équilibre.** Une bonne tenue et un bon équilibre permettent de mieux contrôler l'outil en cas de situation imprévue.
- **Utiliser l'équipement de sécurité. Toujours porter une protection oculaire.** Suivant les conditions, le port d'un masque antipoussière, de chaussures de sécurité, d'un casque ou d'une protection auditive est recommandé.
- **Ne porter ni vêtements amples, ni bijoux. Attacher ou couvrir les cheveux longs.** Les vêtements amples, bijoux et cheveux longs peuvent se prendre dans les ouïes d'aération.
- **Ne pas utiliser l'outil sur une échelle ou un support instable.** Une bonne tenue et un bon équilibre permettent de mieux contrôler l'outil en cas de situation imprévue.

UTILISATION ET ENTRETIEN DE L'OUTIL

- **Utiliser des serre-joint ou un autre système approprié pour maintenir fermement la pièce sur une surface stable.** Une pièce tenue à la main ou contre son corps est instable et peut causer une perte de contrôle.
- **Ne pas forcer l'outil. Utiliser un outil approprié pour le travail.** Un outil approprié exécutera le travail mieux et de façon moins dangereuse s'il est utilisé dans les limites prévues.
- **Ne pas utiliser l'outil si le commutateur ne permet pas de le mettre en marche et de l'arrêter.** Tout outil qui ne peut pas être contrôlé par son commutateur est dangereux et doit être réparé.
- **Débrancher l'outil avant d'effectuer des réglages, de changer d'accessoire ou de ranger l'outil.** Ces mesures de sécurité réduisent les risques de démarrage accidentel de l'outil.
- **Ranger les outils non utilisés hors de portée des enfants et des personnes n'ayant pas reçu des instructions adéquates.** Dans les mains de personnes n'ayant pas reçu des instructions adéquates, les outils sont dangereux.
- **Entretien soigneusement les outils. Garder les outils bien affûtés et propres.** Des outils correctement entretenus et dont les tranchants sont bien affûtés risquent moins de se bloquer et sont plus faciles à contrôler.
- **Vérifier qu'aucune pièce mobile n'est mal alignée, grippée ou brisée et s'assurer qu'aucun autre problème risque d'affecter le bon fonctionnement de l'outil. En cas de dommages, faire réparer l'outil avant de l'utiliser de nouveau.** Beaucoup d'accidents sont causés par des outils mal entretenus.

RÈGLES DE SÉCURITÉ GÉNÉRALES

- **Utiliser exclusivement les accessoires recommandés par le fabricant pour le modèle d'outil.** Des accessoires appropriés pour un outil peuvent être dangereux s'ils sont utilisés avec un autre.
- **Garder l'outil et sa poignée secs, propres et exempts d'huile ou de graisse.** Toujours utiliser un chiffon propre pour le nettoyage. Ne jamais utiliser de liquide de freins, d'essence, de produits à base de pétrole ou de solvants forts pour nettoyer l'outil. Le respect de cette consigne réduira les risques de perte de contrôle et d'endommagement du boîtier en plastique.

DÉPANNAGE

- **Le dépannage des outils doit être confié exclusivement à un personnel qualifié.** Les réparations ou entretiens effectués par des personnes non qualifiées présentent des risques de blessures.
- **Utiliser exclusivement des pièces identiques à celles d'origine pour les réparations. Se conformer aux instructions de la section Entretien de ce manuel.** L'usage de pièces non autorisées ou le non respect des instructions peut présenter des risques de choc électrique ou de blessures.

RÈGLES DE SÉCURITÉ PARTICULIÈRES

- **Toujours utiliser le garant correct avec la meule.** Un garant protège l'opérateur des fragments de roue cassés.
- **La puissance nominale des accessoires doit être au moins égale à la vitesse recommandée sur l'étiquette d'avertissement de l'outil.** Les roues et les autres accessoires fonctionnant à une vitesse supérieure à la vitesse nominale peuvent se détacher et voler, causant des blessures.
- **Lorsque l'outil est utilisé pour un travail risquant de le mettre en contact avec des fils électriques cachés ou avec son propre cordon d'alimentation, le tenir par les surfaces de prise isolées.** Tout contact avec un fil sous tension électrifierait les parties métalliques de l'outil, et causerait un choc électrique.
- **Apprendre à connaître l'outil. Lire attentivement le manuel d'utilisation. Apprendre les applications et les limites de l'outil, ainsi que les risques spécifiques relatifs à son utilisation.** Le respect de cette consigne réduira les risques d'incendie, de choc électrique et de blessures graves.
- **Toujours porter protection oculaire certifiée conforme à l'ANSI Z87.** Le respect de cette règle réduira les risques de blessures graves.
- **Protection respiratoire. Porter un masque facial ou un masque anti-poussière si le travail produit de la poussière.** Le respect de cette consigne réduira les risques de blessures graves.
- **Protection auditive. Porter une protección auditiva lors de l'utilisation prolongée.** Le respect de cette règle réduira les risques de blessures graves.
- **Inspecter régulièrement les cordons d'alimentation des outils et s'ils sont endommagés, les confier au centre de réparations agréé le plus proche. Toujours être conscient de l'emplacement du cordon.** Le respect de cette règle réduira les risques de choc électrique et d'incendie.
- **Vérifier l'état des pièces. Avant d'utiliser l'outil de nouveau examiner soigneusement les pièces et dispositifs de protection qui semblent endommagés afin de déterminer s'ils fonctionnent correctement et s'ils remplissent les fonctions prévues. Vérifier l'alignement des pièces mobiles, s'assurer qu'aucune pièce n'est bloquée ou cassée, vérifier la fixation de chaque pièce et s'assurer qu'aucun autre problème ne risque d'affecter le bon fonctionnement de l'outil. Toute protection ou pièce endommagée doit être correctement réparée ou remplacée dans un centre de réparations agréé.** Le respect de cette consigne réduira les risques de choc électrique, d'incendie et de blessures graves.
- **S'assurer que le cordon prolongateur est en bon état. Si un cordon prolongateur est utilisé, s'assurer que sa capacité est suffisante pour supporter le courant de fonctionnement de l'outil. Un calibre de fil (A.W.G) d'au minimum 14 est recommandé pour un cordon prolongateur de 8 m (25 pi) ou moins. L'usage d'un cordon de plus de 15 m (50 pi) est déconseillé. En cas de doute, utiliser un cordon du calibre immédiatement supérieur. Moins le numéro de calibre est élevé, plus la capacité du fil est grande.** Un cordon de capacité insuffisante causerait une baisse de la tension de ligne, entraînant une perte de puissance et une surchauffe.
- **Inspecter la pièce et retirer les clous éventuels avant d'utiliser cet outil.** Le respect de cette consigne réduira les risques de blessures graves.
- **Si le cordon d'alimentation est endommagé, il doit être remplacé uniquement par le fabricant ou par un centre de réparation agréé pour éviter tout risque.**
- **Conserver ces instructions.** Les consulter fréquemment et les utiliser pour instruire les autres utilisateurs éventuels. Si cet outil est prêté, il doit être accompagné de ces instructions.

AVERTISSEMENT :




La poussière dégagée par certains matériaux lors du ponçage, sciage, meulage perçage et autres opérations de construction contient des produits chimiques reconnus causer le cancer, des malformations congénitales ou des lésions de l'appareil reproducteur. Voici certains exemples de ces produits chimiques :

- plomb contenu dans la peinture au plomb,
- silice cristalline contenue dans les briques, le ciment et d'autres produits de maçonnerie, ainsi que
- arsenic et chrome contenus dans le bois de construction traité par produits chimiques.






Le risque présenté par l'exposition à ces produits varie en fonction de la fréquence de ce type de travail. Pour réduire l'exposition à ces produits chimiques : travailler dans un endroit bien aéré et utiliser des équipements de sécurité approuvés tels que masques antipoussière spécialement conçus pour filtrer les particules microscopiques.

SYMBOLES

Les termes de mise en garde suivants et leur signification ont pour but d'expliquer le degré de risques associé à l'utilisation de ce produit.

SYMBOLE	SIGNAL	SIGNIFICATION
	DANGER :	Indique une situation extrêmement dangereuse qui, si elle n'est pas évitée, aura pour conséquences des blessures graves ou mortelles.
	AVERTISSEMENT :	Indique une situation potentiellement dangereuse qui, si elle n'est pas évitée, pourrait entraîner des blessures graves ou mortelles.
	ATTENTION :	Indique une situation potentiellement dangereuse qui, si elle n'est pas évitée, pourrait entraîner des blessures légères ou de gravité modérée.
	ATTENTION :	(Sans symbole d'alerte de sécurité) Indique une situation pouvant entraîner des dommages matériels.

Certains des symboles ci-dessous peuvent être utilisés sur produit. Veiller à les étudier et à apprendre leur signification. Une interprétation correcte de ces symboles permettra d'utiliser produit plus efficacement et de réduire les risques.

SYMBOLE	NOM	DÉSIGNATION / EXPLICATION
	Symbole d'alerte de sécurité	Indique un risque de blessure potentiel.
V	Volts	Tension
A	Ampères	Intensité
Hz	Hertz	Fréquence (cycles par seconde)
W	Watts	Puissance
min	Minutes	Temps
~	Courant alternatif	Type de courant
n_0	Vitesse à vide	Vitesse de rotation à vide
	Construction de classe II	Construction à double isolation
.../min	Par minute	Tours, coups, vitesse périphérique, orbites, etc., par minute
	Avertissement concernant l'humidité	Ne pas exposer à la pluie ou l'humidité.
	Lire le manuel d'utilisation	Pour réduire les risques de blessures, l'utilisateur doit lire et veiller à bien comprendre le manuel d'utilisation avant d'utiliser ce produit.
	Protection oculaire	Toujours veiller à porter des lunettes étanches ou des lunettes de sécurité à coques latérales ou, si nécessaire, un masque facial intégral. Toujours porter une protection oculaire certifiée conforme à la norme ANSI Z87.1.

CARACTÉRISTIQUES ÉLECTRIQUES

DOUBLE ISOLATION

La double isolation est un dispositif de sécurité utilisé sur les outils à moteur électriques, éliminant le besoin de cordon d'alimentation habituel à trois fils avec terre. Toutes les pièces métalliques exposées sont isolées des composants internes du moteur par l'isolation protectrice. Les outils à double isolation ne nécessitent pas de mise à la terre.

AVERTISSEMENT :

Le système à double isolation est conçu pour protéger l'utilisateur contre les chocs électriques causés par une rupture du câblage interne de l'outil. Prendre toutes les précautions de sécurité normales pour éviter les chocs électriques.

NOTE : La réparation d'un outil à double isolation exige des précautions extrêmes ainsi que la connaissance du système, elle ne doit être confiée qu'à un réparateur qualifié. En ce qui concerne les réparations, nous recommandons de confier l'outil au centre de réparations le plus proche. Utiliser exclusivement des pièces d'origine pour les réparations.

CONNEXIONS ÉLECTRIQUES

Ce produit est équipé d'un moteur électrique de précision. Il doit être branché uniquement sur **une alimentation 120 V, c.a. (courant résidentiel standard), 60 Hz**. Ne pas utiliser cet outil sur une source de courant continu (c.c.). Une chute de tension importante causerait une perte de puissance et une surchauffe du moteur. Si l'outil ne fonctionne pas une fois branché, vérifier l'alimentation électrique.

CORDONS PROLONGATEURS

Lors de l'utilisation d'un outil électrique à grande distance d'une prise secteur, veiller à utiliser un cordon prolongateur d'une capacité suffisante pour supporter l'appel de courant de l'outil. Un cordon de capacité insuffisante causerait une baisse de la tension de ligne, entraînant une perte de puissance et une surchauffe. Se reporter au tableau ci-dessous pour déterminer le calibre minimum de fil requis pour un cordon donné. Utiliser exclusivement des cordons à gaine cylindrique homologués par Underwriter's Laboratories (UL).

Pour le travail à l'extérieur, utiliser un cordon prolongateur spécialement conçu à cet effet. Ce type de cordon porte l'inscription « WA » ou « W » sur sa gaine.

Avant d'utiliser un cordon prolongateur, vérifier que ses fils ne sont ni détachés ni exposés et que son isolation n'est ni coupée, ni usée.

**Intensité nominale (sur la plaquette signalétique de l'outil)

Longueur du cordon	Calibre de fil (A.W.G.)					
	0-2,0	2,1-3,4	3,5-5,0	5,1-7,0	7,1-12,0	12,1-16,0
25'	16	16	16	16	14	14
50'	16	16	16	14	14	12
100'	16	16	14	12	10	—

**Utilisé sur circuit de calibre 12 – 20 A

NOTE : AWG = American Wire Gauge

AVERTISSEMENT :

Maintenir le cordon prolongateur à l'écart de la zone de travail. Lors du travail avec un cordon électrique, placer le cordon de manière à ce qu'il ne risque pas de se prendre dans les pièces de bois, outils et autres obstacles. Ne pas prendre cette précaution peut entraîner des blessures graves.

AVERTISSEMENT :

Vérifier l'état des cordons prolongateurs avant chaque utilisation. Remplacer immédiatement tout cordon endommagé. Ne jamais utiliser un outil dont le cordon d'alimentation est endommagé, car tout contact avec la partie endommagée pourrait causer un choc électrique et des blessures graves.

CARACTÉRISTIQUES

FICHE TECHNIQUE

Taille de meule 178 mm (7 po)
Diamètre de broche..... 5/8 po x 11 UNC (M14)
Vitesse à vide 8000 r/min. (RPM)

Entrée 120 volts, c.a. uniquement, 60 Hz, 13 A
Poids net 3,6 kg (8 lb)

VEILLER À BIEN CONNAÎTRE LA MEULEUSE D'ANGLE

Voir la figure 1, page 13.

L'utilisation sûre de ce produit exige une compréhension des renseignements figurant sur l'outil et contenus dans le manuel d'utilisation, ainsi qu'une bonne connaissance du projet entrepris. Avant d'utiliser ce produit, se familiariser avec toutes ses caractéristiques et règles de sécurité.

BALAIS DE CARBONE À ARRÊT AUTOMATIQUE

Lorsque les balais de carbone à arrêt automatique s'usent à une longueur prédéterminée, la meuleuse s'arrête automatiquement, évitant toute possibilités de dommages à l'induit.

BOUTON DE VERROUILLAGE

Le bouton de verrouillage permet de meuler continuellement pendant une période prolongée.

POIGNÉE ROTATIVE

La poignée permet une rotation de 90° vers la droite ou la gauche pour en faciliter l'utilisation.

POIGNÉE LATÉRALE

La poignée latérale est conçue pour stabiliser la meuleuse et elle doit être utilisée en toutes circonstances. Outre le maintien du contrôle pendant l'utilisation, la poignée facilite le travail.

BOUTON DE VERROUILLAGE DE L'AXE

Ce bouton bloque l'axe, ce qui permet de remplacer la meule avec une seule clé.

GÂCHETTE

L'emplacement de la gâchette du commutateur assure la facilité d'utilisation.

GARANT SANS OUTIL

Ce garant sans outil dévie les étincelles et la limaille pendant l'utilisation.

ASSEMBLAGE

DÉBALLAGE

Ce produit nécessite l'assemblage.

- Avec précaution, sortir le produit et les accessoires de la boîte. S'assurer que toutes les pièces figurant sur la liste de contrôle sont incluses.

AVERTISSEMENT :

Ce nouveau produit a été expédié partiellement assemblé, tel que décrit ci-dessous. Vérifier attentivement la liste d'expédition cidessous afin de s'assurer qu'il ne manque aucun élément; la liste d'expédition inclut toutes les pièces détachées qui n'étaient pas assemblées au produit au moment de l'expédition. Ne pas utiliser le produit si, en déballant le produit, vous constatez que des éléments figurant dans la liste d'expédition sont déjà assemblés. Communiquer avec le service à la clientèle au numéro ci-dessous pour obtenir de l'aide. Le fait d'utiliser un produit qui a été préassemblé de façon inadéquate peut entraîner des blessures.

- Examiner soigneusement le produit pour s'assurer que rien n'a été brisé ou endommagé en cours de transport.
- Ne pas jeter les matériaux d'emballage avant d'avoir soigneusement examiné le produit et avoir vérifié qu'il fonctionne correctement.
- Si des pièces sont manquantes ou endommagées, appeler le 1-866-539-1710.

LISTE DE CONTRÔLE

Meuleuse d'angle
Garant
Écrou de serrage
Bride circulaire
Meule
Poignée latérale
Clé
Manuel d'utilisation

ASSEMBLAGE

AVERTISSEMENT :

Si des pièces manquent ou sont endommagées, ne pas utiliser ce produit avant qu'elles aient été remplacées. Le non-respect de cet avertissement pourrait entraîner des blessures graves.

AVERTISSEMENT :

Ne pas essayer de modifier cet outil ou de créer des accessoires non recommandés pour ce produit. De telles altérations ou modifications sont considérées comme un usage abusif et peuvent créer des conditions dangereuses, risquant d'entraîner des blessures graves.

AVERTISSEMENT :

Ne pas brancher sur le secteur avant d'avoir terminé l'assemblage. Le non-respect de cet avertissement peut causer un démarrage accidentel, entraînant des blessures graves.

INSTALLATION DE LA GARANT

Voir la figure 2, page 13.

- Placer le garant neuf sur l'épaulement du chapeau de roulement en alignant les flèches du garant et du chapeau de roulement. Appuyer sur le dispositif de protection jusqu'à ce qu'il soit bien en place.
- Appuyer sur le levier et tourner le garant en position correcte. Voir la section **Positionnement du garant**.
NOTE : S'assurer que la nervure en saillie du garant est engagée dans la rainure du chapeau de roulement.
- Remonter la bride circulaire, de la meule et de l'écrou de blocage. Voir la section **Installation de la meule**.
- Serrer fermement l'écrou à l'aide de la clé fournie.

INSTALLATION/REMPACEMENT DE LA MEULE

Voir la figure 2, page 13.

AVERTISSEMENT :

Inspecter soigneusement les meules neuves avant de les installer.

- Frapper légèrement le pourtour de la meule avec un maillet en bois.
- Écouter attentivement le son produit. Le son change lorsque la meule est frappée à un endroit fissuré ou fendu.

Ne pas utiliser les meules présentant des fissures ou fêlures.

Après avoir installé une meule neuve la tester en la laissant tourner à vide pendant environ une minute, en veillant à ne pas la diriger vers des personnes ou objets.

- Débrancher la meuleuse.
- Appuyer sur le bouton de verrouillage de l'axe et tourner le boulon jusqu'à ce que l'axe se verrouille.

NOTE : Pour éviter des dommages à l'axe et à son verrouillage, toujours laisser le moteur s'arrêter complètement avant d'engager le verrouillage.

- Desserrer et retirer l'écrou de l'axe. Ne pas retirer le bride circulaire.
 - S'assurer que les méplats au dessous de la bride circulaire s'engagent dans ceux de l'axe.
 - Placer la meule sur l'axe.
 - Visser l'écrou de serrage sur l'axe, son côté plat étant dirigé vers le haut.
 - Engager la partie saillante de petit diamètre de l'écrou dans le trou de la meule et serrer à la main.
-

AVERTISSEMENT :

Toujours installer les meules côté concave contre la bride circulaire. Si cette précaution n'est pas prise, la meule se brisera lors du serrage de l'écrou. Ceci pourrait entraîner des blessures graves par les morceaux de meule projetés. Ne pas trop serrer.

- Appuyer sur le bouton de verrouillage de l'axe et tourner la meule dans le sens horaire jusqu'à ce que l'axe se verrouille en position.
 - Serrer fermement l'écrou à l'aide de la clé fournie. Ne pas trop serrer.
-

DANGER :

Ne jamais attacher une meule de tronçonnage ni une meule de TYPE 1 à cette meuleuse angulaire. Elle est exclusivement conçue pour le meulage. Tout autre usage est déconseillé et présente un risque de blessures graves.

INSTALLATION DE LA POIGNÉE LATÉRALE

Voir la figure 3, page 13.

- Débrancher la meuleuse.
- Visser la poignée sur le côté du carter du moteur.

NOTE : La poignée peut être montée à droite ou à gauche, selon la préférence de l'utilisateur. Elle doit toujours être utilisée pour éviter une perte de contrôle pouvant entraîner des blessures graves.

- Serrer la poignée latérale fermement.
-

POSITIONNEMENT DU GARANT

Voir les figures 4 à 6, page 13.

Le garant doit être correctement installé, en fonction du côté sur lequel la poignée est montée. Ne jamais utiliser la meuleuse si le garant n'est pas correctement installée ou les flèches correctement alignées.

ASSEMBLAGE

⚠ AVERTISSEMENT :

Ne jamais installer le garant de manière à ce qu'il se trouve sur l'avant de la meuleuse. Les étincelles et la limaille pourraient être projetées en direction de l'opérateur et le blesser sérieusement. Toujours installer le garant en position correcte, comme illustré.

Pour régler le garant :

- Débrancher la meuleuse.
- Appuyer sur le levier et faire tourner le garant en position correcte, comme illustré.

NOTE : S'assurer que la nervure en saillie du le garant est engagée dans la rainure du chapeau de roulement. Ne jamais utiliser la meuleuse sans le garant installé et correctement ajusté.

UTILISATION

⚠ AVERTISSEMENT :

Ne pas laisser la familiarité avec le produit faire oublier la prudence. Ne pas oublier qu'une fraction de seconde d'inattention peut entraîner des blessures graves.

⚠ AVERTISSEMENT :

Toujours porter une protection oculaire certifiée conforme à la norme ANSI Z87.1. Si cette précaution n'est pas prise, des objets peuvent être projetés dans les yeux et causer des lésions graves.

⚠ AVERTISSEMENT :

Ne pas utiliser d'outils ou accessoires non recommandés par le fabricant pour ce produit. L'utilisation de pièces et accessoires non recommandés peut entraîner des blessures graves.

APPLICATIONS

Ce produit ne doit être utilisé que pour les applications listées ci-dessous :

- Meulage des métaux
- Ponçage du bois ou des métaux

⚠ DANGER :

Ne jamais installer de lame ou de ciseau de quelque type que ce soit sur cette meuleuse. Elle est exclusivement conçue pour le meulage et le ponçage. Tout autre usage est déconseillé et peut créer un danger de blessures graves.

⚠ DANGER :

Utiliser SEULEMENT les meules à moyeu déporté de type 27 (comme celles fournies avec le produit). NE JAMAIS attacher une meule de tronçonnage ni une meule de Type 1 à cette meuleuse. Ce produit est exclusivement conçue pour le meulage. Tout autre usage est déconseillé et présente un risque de blessures graves.

TYPE 27 – PRÊTES À UTILISER



TYPE 1 – NE PAS UTILISER



MISE EN MARCHÉ/ARRÊT DE LA MEULEUSE

Voir la figure 7, page 14.

Pour mettre la meuleuse en MARCHÉ :

- Appuyer sur la gâchette.

Pour ARRÊTER la meuleuse :

- Relâcher la gâchette.

BOUTON DE VERROUILLAGE

Voir la figure 7, page 14.

Cette meuleuse est dotée d'un bouton de verrouillage de gâchette, commode pour le meulage en continu durant des périodes prolongées. Verrouillage :

- Tenir la meuleuse devant soi, loin du corps, sans la laisser toucher la pièce à meuler.
- Appuyer sur la gâchette.
- Maintenir enfoncé le bouton de verrouillage situé sur l'arrière de la poignée.
- Relâcher la gâchette.
- Relâcher le bouton de verrouillage et la meuleuse continue de tourner.
- Pour désengager le verrouillage, appuyer puis relâcher l'interrupteur à palette.

UTILISATION

NOTE: Si la fonction de verrouillage est engagée pendant l'utilisation et la meuleuse est accidentellement débranchée, désengager le verrouillage immédiatement.

RÉGLAGE DU POIGNÉE ROTATIVE

Voir la figure 8, page 14.

La poignée permet une rotation de 90° vers la droite ou la gauche.

- Débrancher la meuleuse.
- Pousser sur le bouton de verrou de la poignée afin de la tourner à la position voulue.
- Relâcher le bouton de verrou de la poignée et s'assurer que la poignée est verrouillée dans la position voulue.

AVERTISSEMENT :

Pour éviter la perte du contrôle et des blessures graves, toujours tenir la meuleuse avec poignée fixé en position.

UTILISATION DE LA MEULEUSE

Voir la figure 9, page 14.

Toujours choisir et utiliser les meules recommandées pour les matériaux à travailler. S'assurer que la vitesse de fonctionnement minimum de tout accessoire à meule est de 8000 r/min. La meule fournie avec l'outil convient au meulage des soudures, à la préparation des surfaces à souder, au meulage des structures en acier et au meulage de l'acier inoxydable.

Utilisation de la meuleuse :

- Placer la pièce à meuler dans un étau ou l'assujettir sur un établi.

DANGER :

Ne jamais utiliser la meuleuse sans le garant. Elle est conçue pour n'être utilisée qu'avec le garant en place. Si cette précaution n'est pas prise, de la limaille peut être en direction de l'opérateur et causer des blessures graves.

- Tenir la meuleuse devant soi, loin du corps, sans la laisser toucher la pièce à meuler.
- Mettre la meuleuse en marche et laisser le moteur parvenir à pleine vitesse.
- Abaisser progressivement l'outil, jusqu'à ce que la meule entre en contact avec la pièce à travailler.
- Garantir la meuleuse inclinée à un angle de 5 à 15 degrés.

AVERTISSEMENT :

Pour éviter la perte du contrôle et des blessures graves, toujours tenir la meuleuse à deux mains, l'une étant placée sur la poignée latérale.

- Déplacer la meuleuse continuellement, à une vitesse uniforme.
-

ATTENTION :

Si la meuleuse est maintenue trop longtemps à un endroit, elle entamera et creusera la pièce. Si la meuleuse est tenue à un angle trop prononcé elle entamera également la pièce, la pression étant concentrée sur une trop petite surface.

- Utiliser une pression juste suffisante pour empêcher l'outil de brouter ou de sautiller.

NOTE : Une pression excessive réduirait la vitesse de rotation de la meule et imposerait une charge excessive sur le moteur. Normalement le poids de l'outil suffit pour la plupart des travaux de meulage. Utiliser une légère pression pour le meulage des bords irréguliers et des boulons desserrés qui risque de causer un blocage de la meule.

- Soulever la meuleuse de la pièce avant de l'arrêter.

ENTRETIEN

AVERTISSEMENT :

Utiliser exclusivement des pièces RIDGID® d'origine pour les réparations. L'usage de toute autre pièce pourrait créer une situation dangereuse ou endommager l'outil.

AVERTISSEMENT :

Toujours porter une protection oculaire certifiée conforme à la norme ANSI Z87.1 lors de l'utilisation d'outils électriques ou des opérations de nettoyage à l'air comprimé. Si une opération dégage de la poussière, porter également un masque filtrant.

ENTRETIEN GÉNÉRAL

Éviter d'utiliser des solvants pour le nettoyage des pièces en plastique. La plupart des matières plastiques peuvent être endommagées par divers types de solvants du commerce. Utiliser un chiffon propre pour éliminer la saleté, la poussière, l'huile, la graisse, etc.

AVERTISSEMENT :

Ne jamais laisser de liquides tels que le fluide de freins, l'essence, les produits à base de pétrole, les huiles pénétrantes, etc., entrer en contact avec les pièces en plastique. Les produits chimiques peuvent endommager, affaiblir ou détruire le plastique, ce qui peut entraîner des blessures graves.

Les outils électriques utilisés sur la fibre de verre, le placoplâtre, les mastics de bouchage ou le plâtre s'usent plus vite et sont susceptibles de défaillance prématurée, car les particules et les éclats de fibre de verre sont fortement abrasifs pour les roulements, balais, commutateurs, etc. Toutefois, si l'outil a été utilisé sur l'un de ces matériaux, il est extrêmement important de le nettoyer à l'air comprimé.

LUBRIFICATION

Tous les engrenages de cet outil sont enduits d'une quantité suffisante de lubrifiant de haute qualité pour la durée de vie de l'outil, dans des conditions d'utilisation normales. Aucune autre lubrification n'est donc nécessaire.

REMPLACEMENT DE LA GARANT

Après un certain temps, le garant peut s'user et devoir être remplacé. Si le garant est endommagé à la suite d'une chute de la meuleuse, il devra également être remplacé. Voir la section **Installation de la garant** plus haut dans ce manuel.

REMPLACEMENT DES BALAIS

Voir la figure 10, page 14.

Le moteur de la produit est équipé de balais accessibles de l'extérieur, dont l'usure doit être vérifiée périodiquement.

- Débrancher la meuleuse.
- Retirer le couvercle des balais à l'aide d'un tournevis plat. Les balais sont montés sur ressort et sont éjectés lorsque le couvercle est retiré.
- Retirer les balais (et leurs ressorts). Regarder s'ils sont usés. Remplacer les deux balais lorsque la longueur du carbone est de 5 mm (1/4 po) ou moins. **Ne pas** remplacer un balai sans remplacer l'autre.
- Installer les nouveaux balais. S'assurer que la courbure des balais correspond à celle du moteur et que les balais tournent librement dans leurs tubes.
- Replacer le capuchon du balai et le serrer solidement. Ne pas trop serrer.

**FIGURES (ILLUSTRATIONS) COMMENÇANT SUR
13 DE PAGE APRÈS LA SECTION ESPAGNOL.**

GARANTIE

GARANTIE D'ENTRETIEN DE 3 ANS SUR LES OUTILS ÉLECTRIQUES À MAIN ET D'ÉTABLI RIDGID®

Une preuve d'achat doit être présentée pour toute demande de réparation sous garantie.

Cette garantie se limite aux outils électriques à main et d'établi RIDGID® achetés à partir du 1/2/04. Ce produit est fabriqué par One World Technologies, Inc., sous licence de marque de RIDGID, Inc. Toutes les correspondances relatives à la garantie doivent être adressées à One World Technologies, Inc. à l'intention de: Service technique des outils motorisés à main et d'établi RIDGID, au 1-866-539-1710 (appel gratuit).

POLITIQUE DE SATISFACTION ASSURÉE DE 90 JOURS

En cas de non satisfaction pour quelque raison que ce soit au cours des 90 jours suivant la date d'achat de cet outil à main ou d'établi RIDGID®, il pourra être retourné au point de vente pour échange ou remboursement intégral. Pour obtenir un outil en échange, l'équipement original devra être retourné, dans son emballage d'origine, accompagné d'une preuve d'achat. L'outil fourni en échange sera couvert par la garantie limitée pour le restant de la période de validité de 3 ANS.

CE QUI EST COUVERT PAR LA GARANTIE LIMITÉE DE TROIS ANS

Cette garantie sur les outils électriques à main et d'établi RIDGID® couvre tous les vices de matériaux et de fabrication, ainsi que les articles de consommation courants, tels que balais, mandrins, moteurs, commutateurs, cordons, engrenages et même les batteries d'outils sans fil de cet outil RIDGID®, pour une période de trois ans, à compter de la date d'achat. Les garanties d'autres produits RIDGID® peuvent être différentes.

RÉPARATIONS SOUS GARANTIE

Pour toute réparation sous garantie, cet outil RIDGID® devra être retourné, en port payé, à un centre de réparations RIDGID® pour outils motorisés à main et d'établi agréé. L'adresse du centre de réparations agréé le plus proche peut être obtenue en appelant le 1-866-539-1710 (appel gratuit), ou en accédant au site Internet RIDGID® : www.ridgid.com. Le reçu de vente daté doit être présenté lors de toute demande de réparation sous garantie. Le centre de réparations agréé corrigera tout défaut de fabrication et réparera ou remplacera (à notre choix) gratuitement, toute pièce défectueuse.

CE QUI N'EST PAS COUVERT

La garantie ne couvre que l'acheteur au détail original et n'est pas transférable. Cette garantie ne couvre pas les problèmes de fonctionnement, défaillances ou autres défauts résultant d'un usage incorrect ou abusif, de la négligence, de la modification, de l'altération ou de réparations effectuées par quiconque autre qu'un centre de réparations d'outils motorisés à main et d'établi RIDGID®. Les articles de consommation fournis avec cet outil, tels que, mais sans y être limité, les lames, embouts et abrasifs, ne sont pas couverts.

RIDGID, INC., ET ONE WORLD TECHNOLOGIES, INC. NE FONT AUCUNE AUTRE GARANTIE, REPRÉSENTATION OU PROMESSE CONCERNANT LA QUALITÉ ET LES PERFORMANCES DE SES OUTILS MOTORISÉS, AUTRES QUE CELLES EXPRESSÉMENT INDIQUÉES DANS LE PRÉSENT DOCUMENT.

AUTRES LIMITATIONS

Sous réserve que les lois en vigueur le permettent, toutes les garanties implicites sont exclues, y compris les GARANTIES DE VALEUR MARCHANDE ou D'ADÉQUATION À UN USAGE PARTICULIER. Toutes les garanties implicites, y compris les garanties de valeur marchande ou d'adéquation à un usage particulier ne pouvant pas être exclues en raison des lois en vigueur, sont limitées à une durée de trois ans, à compter de la date d'achat. One World Technologies, Inc. et RIDGID, Inc. déclinent toute responsabilités pour les dommages directs ou indirects. Certains états et provinces ne permettant pas de limitation sur la durée des garanties implicites, et / ou l'exclusion ou la limitation des dommages directs ou indirects, les restrictions ci-dessus peuvent ne pas être applicables. Cette garantie donne au consommateur des droits spécifiques, et celui-ci peut bénéficier d'autres droits, qui varient selon les états ou provinces.

One World Technologies, Inc.

P.O Box 35 Highway 8
Pickens, SC 29671, États-Unis

REGLAS DE SEGURIDAD GENERALES



ADVERTENCIA:

Lea y comprenda todas las instrucciones. El incumplimiento de las instrucciones señaladas abajo puede causar descargas eléctricas, incendios y lesiones corporales serias.

GUARDE ESTAS INSTRUCCIONES ÁREA DE TRABAJO

- **Mantenga limpia y bien iluminada el área de trabajo.** Una mesa de trabajo mal despejada y una mala iluminación son causas comunes de accidentes.
- **No utilice herramientas motorizadas en atmósferas explosivas, como las existentes alrededor de líquidos, gases y polvos inflamables.** Las herramientas eléctricas generan chispas que pueden encender el polvo y los vapores inflamables.
- **Mantenga alejados a los circunstantes, niños y demás presentes al utilizar una herramienta eléctrica.** Toda distracción puede causar la pérdida del control de la herramienta.

SEGURIDAD ELÉCTRICA

- **Las herramientas con aislamiento doble están equipadas de una clavija polarizada (una patilla es más ancha que la otra). Esta clavija encaja de una sola forma en una toma de corriente polarizada. Si la clavija no encaja completamente en la toma de corriente, invierta la clavija. Si aún así no encaja, comuníquese con un electricista calificado para que instale una toma de corriente polarizada. No modifique la clavija de ninguna manera.** El aislamiento doble elimina la necesidad de usar cables de tres conductores y conexión a tierra y de sistemas de alimentación eléctrica con conexión a tierra.
- **Evite el contacto del cuerpo con objetos conectados a tierra, como las tuberías, radiadores, estufas y refrigeradores.** Existe un mayor riesgo de descargas eléctricas si su cuerpo está en contacto con tierra.
- **No exponga las herramientas eléctricas a la lluvia ni a condiciones de humedad.** La introducción de agua en una herramienta eléctrica aumenta el riesgo de descargas eléctricas.
- **No maltrate el cordón eléctrico. Nunca use el cordón eléctrico para portar las herramientas ni para sacar la clavija de una toma de corriente. Mantenga el cordón alejado del calor, del aceite, de bordes afilados y de piezas móviles. Cambie de inmediato todo cordón eléctrico dañado.** Los cordones eléctricos dañados aumentan el riesgo de descargas eléctricas.
- **Al utilizar una herramienta eléctrica en el exterior, utilice un cordón eléctrico de extensión que lleve las marcas "W-A" o "W".** Estos cordones eléctricos están aprobados para el uso en exteriores y reducen el riesgo de descargas eléctricas.

SEGURIDAD PERSONAL

- **Permanezca alerta, preste atención a lo que esté haciendo y aplique el sentido común al utilizar herramientas eléctricas. No utilice la herramienta si está cansado o se encuentra bajo los efectos de alguna droga, alcohol o medicamento.** Un momento de inatención al utilizar una herramienta eléctrica puede causar lesiones corporales serias.
- **Vístase adecuadamente. No vista ropas holgadas ni joyas. Recójase el cabello si está largo. Mantenga el cabello, la ropa y los guantes alejados de las piezas móviles.** Las ropas holgadas, las joyas y el cabello largo pueden engancharse en las piezas móviles.

- **Evite un arranque accidental de la unidad. Asegúrese de que el interruptor esté en la posición de apagado antes de conectar la herramienta.** Llevar las herramientas con el dedo en el interruptor, o conectarlas con el interruptor puesto, es causa común de accidentes.
- **Retire toda llave o herramienta de ajuste antes de encender la herramienta eléctrica.** Toda llave o herramienta de ajuste dejada en una pieza giratoria de la herramienta eléctrica puede causar lesiones corporales.
- **No estire el cuerpo para alcanzar mayor distancia. Mantenga una postura firme y buen equilibrio en todo momento.** La postura firme y el buen equilibrio permiten un mejor control de la herramienta en situaciones inesperadas.
- **Use equipo de seguridad. Siempre póngase protección ocular.** Cuando lo exijan las circunstancias debe ponerse careta contra el polvo, zapatos de seguridad antiderrapantes, casco o protección auditiva.
- **No vista ropas holgadas ni joyas. Recójase el cabello si está largo.** Las ropas holgadas y las joyas, así como el cabello largo, pueden resultar atraídas hacia el interior de las aberturas de ventilación.
- **No utilice la unidad al estar en una escalera o en un soporte inestable.** Una postura estable sobre una superficie sólida permite un mejor control de la herramienta en situaciones inesperadas.

EMPLEO Y CUIDADO DE LA HERRAMIENTA

- **Utilice prensas o cualquier otro medio práctico de asegurar y sostener la pieza de trabajo en una plataforma segura.** Sostener la pieza con la mano o contra el cuerpo es inestable y puede causar una pérdida de control.
- **No fuerce la herramienta. Utilice la herramienta adecuada al trabajo.** La herramienta adecuada efectúa mejor y de manera más segura el trabajo, si además se maneja a la velocidad para la que está diseñada.
- **No utilice la herramienta si el interruptor no enciende o no apaga.** Una herramienta que no pueda controlarse con el interruptor es peligrosa y debe repararse.
- **Desconecte la clavija de la toma de corriente antes de efectuar ajustes, cambiar accesorios o guardar la herramienta.** Con tales medidas preventivas de seguridad se reduce el riesgo de poner en marcha accidentalmente la herramienta.
- **Guarde las herramientas que no estén en uso fuera del alcance de los niños y de toda persona no capacitada en el uso de las mismas.** Las herramientas son peligrosas en manos de personas no capacitadas en el uso de las mismas.
- **Proporcione mantenimiento con cuidado a las herramientas. Mantenga las herramientas de corte afiladas y limpias.** Las herramientas de corte bien cuidadas, con bordes bien afilados, tienen menos probabilidad de atascarse en la pieza de trabajo y son más fáciles de controlar.
- **Revise para ver si hay desalineación o atoramiento de piezas móviles, ruptura de piezas o toda otra condición que pueda afectar el funcionamiento de la producto. Si se daña la producto, llévela a servicio antes de volver a utilizarla.** Numerosos accidentes son causados por herramientas mal cuidadas.
- **Sólo utilice accesorios recomendados por el fabricante para cada modelo en particular.** Accesorios que pueden ser adecuados para una herramienta pueden significar un riesgo de lesiones si se emplean con otra herramienta.
- **Mantenga la herramienta y el mango secos, limpios y sin aceite ni grasa.** Siempre utilice un paño limpio para la limpieza de la unidad. Nunca utilice fluidos para frenos, gasolina, productos a base de petróleo ni solventes fuertes para limpiar la herramienta. Con el cumplimiento de esta regla se reduce el riesgo de una pérdida de control y el deterioro del alojamiento de plástico de la unidad.

REGLAS DE SEGURIDAD GENERALES

SERVICIO

- El servicio de la herramienta sólo debe ser efectuado por personal de reparación calificado. Todo servicio o mantenimiento efectuado por personal no calificado puede significar un riesgo de lesiones.

- Al dar servicio a una herramienta, sólo utilice piezas de repuesto idénticas. Siga las instrucciones señaladas en la sección Mantenimiento de este manual. El empleo de piezas no autorizadas o el incumplimiento de las instrucciones de mantenimiento puede significar un riesgo de descarga eléctrica o de lesiones.

REGLAS DE SEGURIDAD ESPECÍFICAS

- Siempre utilice a guardia apropiado con rueda de amolar. Un guardia protege a operario de fragmentos rotos de rueda.
- Los accesorios se deben valorar para por lo menos la velocidad recomendada en la etiqueta de la advertencia de instrumento. Las ruedas y otros accesorios que desborda la velocidad valorada puede volar aparte y para poder causar la herida.
- Sujete la herramienta por las superficies aisladas de sujeción al efectuar una operación en la cual la herramienta de corte pueda entrar en contacto con cables ocultos o con su propio cordón eléctrico. Todo contacto de una herramienta de corte con un cable cargado carga las piezas metálicas expuestas de la herramienta y da una descarga eléctrica al operador.
- Familiarícese con su herramienta eléctrica. Lea cuidadosamente el manual del operador. Aprenda sus usos y limitaciones, así como los posibles peligros específicos de esta herramienta. Con el cumplimiento de esta regla se reduce el riesgo de una descarga eléctrica, incendio o lesión seria.
- Siempre póngase protección para los ojos con la marca de cumplimiento de la norma ANSI Z87.1. Con el cumplimiento de esta regla se reduce el riesgo de lesiones corporales serias.
- Protéjase los pulmones. Use una careta o mascarilla contra el polvo si la operación genera mucho polvo. Con el cumplimiento de esta regla se reduce el riesgo de lesiones serias.
- Protéjase los oídos. Durante períodos prolongados de utilización del producto, póngase un protecteur d'oreille. Con el cumplimiento de esta regla se reduce el riesgo de lesiones corporales serias.
- Inspeccione periódicamente los cordones eléctricos de las herramientas, y si están dañados, permita que los reparen en el centro de servicio autorizado más cercano de la localidad. Tenga presente constantemente la ubicación del cordón eléctrico. El cumplimiento de

esta norma reduce el riesgo de una descarga eléctrica o incendio.

- Revise para ver si hay piezas dañadas. Antes de seguir utilizando la herramienta, es necesario inspeccionar cuidadosamente toda protección o pieza dañada para determinar si funcionará correctamente y desempeñará la función a la que está destinada. Verifique la alineación de las partes móviles, que no haya atoramiento de partes móviles, que no haya piezas rotas, el montaje de las piezas y cualquier otra condición que pudiera afectar su funcionamiento. Toda protección o pieza que esté dañada debe repararse apropiadamente o reemplazarse en un centro de servicio autorizado. Con el cumplimiento de esta regla se reduce el riesgo de una descarga eléctrica, incendio o lesión grave.
- Asegúrese de que esté en buen estado el cordón de extensión. Al utilizar un cordón de extensión, utilice uno del suficiente calibre para soportar la corriente que consume el producto. Se recomienda que los conductores sean de calibre 14 (A.W.G.) por lo menos, para un cordón de extensión de 8 m (25 pies) de largo o menos. No se recomienda utilizar un cordón con más de 15 m (50 pies) de largo. Si tiene dudas, utilice un cordón del calibre más grueso siguiente. Cuanto menor es el número de calibre, mayor es el grueso del cordón. Un cordón de un calibre insuficiente causa una caída en el voltaje de línea, y produce recalentamiento y pérdida de potencia.
- Inspeccione la madera y elimine todos los clavos presentes en la misma antes de usar esta herramienta. Con el cumplimiento de esta regla se reduce el riesgo de lesiones serias.
- Si está dañado el cordón de corriente, debe ser reemplazado únicamente por el fabricante o en un centro de servicio autorizado para evitar riesgos.
- Guarde estas instrucciones. Consúltelas con frecuencia y empléelas para instruir a otras personas que puedan utilizar esta herramienta. Si presta a alguien esta herramienta, facilítele también las instrucciones.



ADVERTENCIA:




Algunos polvos generados al efectuarse operaciones de lijado, aserrado, esmerilado, taladrado y de otros tipos en la construcción, contienen compuestos químicos sabidamente causantes de cáncer, defectos congénitos y otras afecciones del aparato reproductor. Algunos ejemplos de estas sustancias químicas son:

- plomo de las pinturas a base de plomo,
- silicio cristalino de los ladrillos, del cemento y de otros productos de albañilería, y
- arsénico y cromo de la madera químicamente tratada.






El riesgo de la exposición a estos compuestos varía, según la frecuencia con que se realice este tipo de trabajo. Para reducir la exposición personal a este tipo de compuestos: trabaje en áreas bien ventiladas, y con equipo de seguridad aprobado, tal como las caretas para el polvo especialmente diseñadas para filtrar partículas microscópicas.

SÍMBOLOS

Las siguientes palabras de señalización y sus significados tienen el objeto de explicar los niveles de riesgo relacionados con este producto.

SÍMBOLO	SEÑAL	SIGNIFICADO
	PELIGRO:	Indica una situación peligrosa inminente, la cual, si no se evita, causará la muerte o lesiones serias.
	ADVERTENCIA:	Indica una situación peligrosa posible, la cual, si no se evita, podría causar la muerte o lesiones serias.
	PRECAUCIÓN:	Indica una situación peligrosa posible, la cual, si no se evita, podría causar lesiones menores o leves.
	PRECAUCIÓN:	(Sin el símbolo de alerta de seguridad) Indica una situación que puede producir daños materiales.

Es posible que se empleen en este producto algunos de los siguientes símbolos. Le suplicamos estudiarlos y aprender su significado. Una correcta interpretación de estos símbolos le permitirá utilizar mejor y de manera más segura el producto.

SÍMBOLO	NOMBRE	DENOMINACIÓN/EXPLICACIÓN
	Alerta de seguridad	Indica un peligro posible de lesiones personales.
V	Volts	Voltaje
A	Amperes	Corriente
Hz	Hertz	Frecuencia (ciclos por segundo)
W	Watts	Potencia
min	Minutos	Tiempo
~	Corriente alterna	Tipo de corriente
n_0	Velocidad en vacío	Velocidad de rotación, en vacío
	Fabricación Clase II	Fabricación con doble aislamiento
.../min	Por minuto	Revoluciones, carreras, velocidad superficial, órbitas, etc., por minuto
	Alerta de condiciones húmedas	No exponga la unidad a la lluvia ni la use en lugares húmedos.
	Lea el manual del operador	Para reducir el riesgo de lesiones, el usuario debe leer y comprender el manual del operador antes de usar este producto.
	Protección ocular	Siempre póngase siempre gafas de seguridad o anteojos protectores con protección lateral y careta completa, cuando sea necesario. Siempre póngase protección ocular con la marca de cumplimiento de la norma ANSI Z87.1.

ASPECTOS ELÉCTRICOS

DOBLE AISLAMIENTO

El doble aislamiento es una característica de seguridad de las herramientas eléctricas, la cual elimina la necesidad de usar el típico cordón eléctrico de tres conductores con conexión a tierra. Todas las partes metálicas expuestas están aisladas de los componentes metálicos internos del motor por medio de aislamiento de protección. No es necesario conectar a tierra las herramientas con doble aislamiento.

ADVERTENCIA:

El sistema de doble aislamiento está destinado para proteger al usuario contra las descargas eléctricas resultantes de la ruptura del cableado interno de la herramienta. Observe todas las precauciones de seguridad para evitar descargas eléctricas.

NOTA: El mantenimiento de una herramienta con doble aislamiento requiere sumo cuidado y conocimiento del sistema, y únicamente deben realizarlo técnicos de servicio calificados. Para el servicio de la herramienta, le sugerimos llevarla al centro de servicio autorizado más cercano para toda reparación. Siempre utilice piezas de repuesto de la fábrica original al dar servicio a la unidad.

CONEXIÓN ELÉCTRICA

Este producto dispone de un motor eléctrico fabricado con precisión. Debe conectarse únicamente a un suministro de corriente de **120 V, de corriente alterna solamente (corriente normal para uso doméstico), 60 Hz.** No utilice esta herramienta con corriente continua (c.c.). Una caída considerable de voltaje causa una pérdida de potencia y el recalentamiento del motor. Si la herramienta no funciona al conectarla en una toma de corriente, vuelva a verificar el suministro de voltaje.

CORDONES DE EXTENSIÓN

Al utilizar una herramienta eléctrica a una distancia considerable de la fuente de voltaje, asegúrese de utilizar un cordón de extensión con la suficiente capacidad para soportar la corriente de consumo de la herramienta. Un cordón de un calibre insuficiente causa una caída en el voltaje de línea, la cual a su vez produce recalentamiento y pérdida de potencia. Básese en la tabla suministrada para determinar el grueso mínimo requerido del cordón de extensión. Solamente deben utilizarse cordones con forro redondo registrados en Underwriter's Laboratories (UL).

Al trabajar a la intemperie con una herramienta, utilice un cordón de extensión fabricado para uso en el exterior. Este tipo de cordón lleva las letras "WA" o "W" en el forro.

Antes de utilizar un cordón de extensión, inspecciónelo para ver si tiene conductores flojos o expuestos y aislamiento cortado o gastado.

**Amperaje (aparece en la placa frontal)

	0-2.0	2.1-3.4	3.5-5.0	5.1-7.0	7.1-12.0	12.1-16.0
Longitud del cordón	Calibre conductores (A.W.G.)					
25'	16	16	16	16	14	14
50'	16	16	16	14	14	12
100'	16	16	14	12	10	—

**Se usa en los circuitos de calibre 12, 20 A.

NOTA: AWG = Calibre conductores norma americana

ADVERTENCIA:

Mantenga el cordón de extensión fuera del área de trabajo. Al trabajar con una herramienta eléctrica, coloque el cordón de tal manera que no pueda enredarse en la madera, herramientas ni en otras obstrucciones. La inobservancia de esta advertencia puede causar lesiones serias.

ADVERTENCIA:

Inspeccione los cordones de extensión cada vez antes de usarlos. Si están dañados reemplácelos de inmediato. Nunca utilice la herramienta con un cordón dañado, ya que si toca la parte dañada puede producirse una descarga eléctrica, y las consecuentes lesiones serias.

CARACTERÍSTICAS

ESPECIFICACIONES DEL PRODUCTO

Capacidad de la muela abrasiva..... 178 mm (7 pulg.)
Rosca del husillo 5/8 pulg. x 11 UNC (M14)
Velocidad en vacío8000 r/min (RPM)

Corriente de entrada 120 voltios, sólo corriente alterna (c.a.), 60 Hz, 13 A
Peso neto 3,6 kg (8 lb)

FAMILIARÍCESE CON SU AMOLADORA ANGULAR

Veá la figura 1, page 13.

Para usar este producto con la debida seguridad se debe comprender la información indicada en la herramienta misma y en este manual, y se debe comprender también el trabajo que intenta realizar. Antes de usar este producto, familiarícese con todas las características de funcionamiento y normas de seguridad del mismo.

ESCOBILLAS DE CARBÓN DE PARO AUTOMÁTICO

Cuando se gastan a un nivel predeterminado las escobillas de carbón de paro automático, la amoladora angular se apaga automáticamente, evitando así la posibilidad de causar daños a la armadura.

BOTÓN DEL SEGURO DE ENCENDIDO

El botón del seguro de encendido es útil para amolado continuo durante períodos de tiempo prolongados.

MANGO GIRATORIO

El mango puede girarse 90° hacia la izquierda y hacia la derecha para facilitar el uso.

MANGO LATERAL

El mango lateral suministrado estabiliza la amoladora y debe utilizarse durante todas las operaciones. Además de ayudar a mantener un control seguro durante el uso de la unidad, el mango lateral facilita al operador el manejo de la misma.

BOTÓN DEL BLOQUEO DEL HUSILLO

El botón del bloqueo del husillo asegura éste de manera que sólo se necesita una llave para cambiar la muela abrasiva.

GATILLO DEL INTERRUPTOR

La amoladora dispone de un interruptor de gatillo en un lugar muy conveniente.

PROTECCIÓN

La amoladora se suministra con una protección. Sirve para desviar las chispas y las virutas de metal durante el uso.

ARMADO

DESEMPAQUETADO

Este producto debe armarse.

- Extraiga cuidadosamente de la caja la producto y los accesorios. Asegúrese de que estén presentes todos los artículos enumerados en la lista de empaquetado.

ADVERTENCIA:

Este producto nuevo se ha enviado parcialmente ensamblado, como se describe a continuación. Verifique con cuidado la lista de contenido que está abajo para asegurarse de que estén todos los elementos dentro del paquete. La lista de contenido describe todos los elementos sueltos que no están ensamblados al producto cuando éste se envía. No accione el producto si hay elementos de la lista de contenido que ya están ensamblados al producto cuando lo desempaca. Llame al siguiente número del centro de asistencia al cliente. La activación de un producto que haya sido preensamblado inadecuadamente puede causar lesiones serias al operador.

- Inspeccione cuidadosamente la producto para asegurarse de que no haya sufrido ninguna rotura o daño durante el transporte.

- No deseche el material de empaquetado sin haber inspeccionado cuidadosamente la producto y haberla utilizado satisfactoriamente.
- Si hay piezas dañadas o faltantes, le suplicamos llamar al 1-866-539-1710, donde le brindaremos asistencia.

LISTA DE EMPAQUETADO

Amoladora angular
Protección
Tuerca de presión
Brida circular
Muela abrasiva
Mango lateral
Llave
Manual del operador

ADVERTENCIA:

Si hay piezas dañadas o faltantes, no utilice este producto sin haber reemplazado todas las piezas. La inobservancia de esta advertencia podría causar lesiones serias.

ARMADO

ADVERTENCIA:

No intente modificar este producto ni hacer accesorios no recomendados para la misma. Cualquier alteración o modificación constituye maltrato, el cual puede causar una condición peligrosa, y como consecuencia posibles lesiones serias.

ADVERTENCIA:

No conecte la unidad al suministro de corriente sin haber terminado de armarla. De lo contrario la unidad puede ponerse en marcha accidentalmente, con el consiguiente riesgo de lesiones serias.

INSTALACIÓN DE LA PROTECCIÓN

Vea la figura 2, página 13.

■ Ponga la nueva protección en la pestaña de la tapa del cojinete alineando las flechas de la protección respecto a la tapa del cojinete. Presione la protección hasta que esté completamente asentada.

■ Oprima la planca y gire la protección a la posición correcta. Consulte el apartado **Posicionamiento de la protección**.

NOTA: Asegúrese de que la costilla realzada de la protección quede sentada en la ranura de la tapa del cojinete.

■ Vuelva a montar la brida circular, la muela abrasiva y la tuerca de presión. Consulte el apartado **Instalación/reemplazo de las muelas abrasivas**.

■ Con la llave suministrada apriete firmemente la tuerca de presión.

INSTALACIÓN/REEMPLAZO DE LAS MUELAS ABRASIVAS

Vea la figura 2, página 13.

ADVERTENCIA:

Inspeccione completamente toda muela abrasiva antes de instalarla en la amoladora.

- Golpee levemente alrededor de la muela con un martillo de madera.
- Escuche cuidadosamente los sonidos producidos. Los lugares con fisuras o grietas producen un sonido diferente.

No utilice muelas que tengan fisuras o grietas.

Al instalar una nueva muela abrasiva, efectúe una prueba de revolución en vacío de un minuto aproximadamente, con la muela orientada en una dirección segura, o sea hacia donde no haya personas ni objetos.

■ Desconecte la amoladora.

■ Oprima el botón del bloqueo del husillo y gire la tuerca de presión hasta que se inmovilice el husillo.

NOTA: Para evitar dañar el husillo o el seguro del mismo, siempre deje que el motor se detenga completamente antes de enganchar el botón de bloqueo.

■ Afloje y retire del husillo la tuerca de sujeción. No retire la brida circular.

■ Asegúrese de que las partes planas de la parte inferior de la brida circular queden enganchadas en las partes planas del husillo.

■ Coloque la muela abrasiva en el husillo.

■ Enrosque la tuerca de sujeción en el husillo con el lado plano de la tuerca hacia arriba.

■ Acomode la parte elevada, la del diámetro pequeño de la tuerca de presión, en el orificio de la muela y apriétela con los dedos.

ADVERTENCIA:

Siempre instale las muelas abrasivas con el centro hundido contra la brida circular. De otra manera se causa el agrietamiento de la muela abrasiva al apretar la tuerca de sujeción. Esto puede producir lesiones corporales serias debido a la separación y lanzamiento de partículas flojas de la muela. No la apriete excesivamente.

■ Oprima el botón del bloqueo del husillo y gire hacia la derecha la muela hasta que se inmovilice el husillo en su posición.

■ Con la llave suministrada apriete firmemente la tuerca de presión. No la apriete excesivamente.

PELIGRO:

Nunca conecte un TIPO 1 recto ni la rueda de corte de operaciones a esta muela del ángulo. Es sólo diseñado para moler. Utilice para cualquier otro propósito no es recomendado y crea un peligro, que tendrá como resultado la herida grave.

MONTAJE DEL MANGO LATERAL

Vea la figura 3, página 13.

■ Desconecte la amoladora.

■ Enrosque el mango en uno de los lados del alojamiento de los engranajes.

NOTA: El mango puede instalarse en el lado izquierdo o derecho de la amoladora, según la preferencia del operador. Siempre debe utilizarse para evitar la pérdida del control y posibles lesiones serias.

■ Apriete firmemente el mango lateral.

ARMADO

POSICIONAMIENTO DE LA PROTECCIÓN

Vea las figuras 4 a 6, página 13.

La protección de la amoladora debe instalarse debidamente según el lado en que se monte el mango. Nunca utilice la amoladora si la protección no está debidamente en su lugar o si las flechas indicadoras están alineadas.

ADVERTENCIA:

Nunca coloque la protección de manera que quede al frente de la amoladora. Esto puede producir lesiones serias debido a que las chispas y partículas sueltas lanzadas por la muela abrasiva saldrían dirigidas hacia el operador. Siempre coloque la protección en el lugar correcto, como se muestra.

Para ajustar la protección:

- Desconecte la amoladora.
- Oprima la palanca y gire la protección a su posición correcta, como se muestra.

NOTA: Asegúrese de que la costilla realizada de la protección quede sentada en la ranura de la tapa del cojinete. Nunca utilice la amoladora sin la protección montada en su lugar y ajustada correctamente.

FUNCIONAMIENTO

ADVERTENCIA:

No permita que su familiarización con los productos le vuelva descuidado. Tenga presente que un descuido de un instante es suficiente para causar una lesión grave.

ADVERTENCIA:

Siempre póngase protección ocular con la marca de cumplimiento de la norma ANSI Z87.1. La inobservancia de esta advertencia puede causar el lanzamiento de objetos a los ojos, y por consecuencia posibles lesiones serias.

ADVERTENCIA:

No utilice ningún aditamento o accesorio no recomendado por el fabricante de este producto. El empleo de aditamentos o accesorios no recomendados puede causar lesiones serias.

PELIGRO:

Nunca monte en esta amoladora angular hojas de cortar o tallar madera de ningún tipo. Solamente está diseñada para esmerilar y lijar. No se recomienda utilizar la herramienta para ningún otro uso, ya que puede presentar un peligro de lesiones serias.

PELIGRO:

Use SÓLO muelas tipo 27 con centro hundido (como la que se provee con este producto). NUNCA conecte un TIPO 1 recto ni la rueda de corte de operaciones a esta muela. Este producto es sólo diseñado para moler. Utilice para cualquier otro propósito no es recomendado y crea un peligro, que tendrá como resultado la herida grave.

TIPO 27 – APTO PARA EL USO



TIPO 1 – NO APTO PARA EL USO



APLICACIONES

Este producto puede emplearse para los fines enumerados abajo:

- Esmerilar metales
- Lijado de superficies de madera o de metal

ENCENDIDO Y APAGADO DE LA AMOLADORA

Vea la figura 7, página 14.

Para ENCENDER la amoladora:

- Oprima el gatillo del interruptor.

Para APAGAR la amoladora:

- Suelte el gatillo del interruptor.

FUNCIONAMIENTO

BOTÓN DEL SEGURO DE ENCENDIDO

Veá la figura 7, página 14.

Esta amoladora está equipada de un seguro de encendido, el cual es muy útil cuando se requiere un amolado continuo durante períodos de tiempo prolongados. Para poner el seguro de encendido:

- Sostenga la amoladora al frente y lejos de usted, manteniendo la muela abrasiva alejada de la pieza de trabajo.
- Oprima el gatillo del interruptor.
- Mantenga pulsado el botón del seguro de encendido, situado en la parte trasera del mango.
- Suelte el gatillo del interruptor.
- Suelte el botón del seguro de encendido y la amoladora continuará funcionando.
- Para soltar el seguro, oprima el interruptor de paleta y suéltelo.

NOTA: Si el seguro de encendido está puesto al usar la amoladora, y ésta se desconecta accidentalmente del suministro de voltaje, quite el seguro de encendido de inmediato.

AJUSTE DE LA MANGO GIRATORIO

Veá la figura 8, página 14.

El mango puede girarse 90° hacia la izquierda y hacia la derecha.

- Desconecte la amoladora.
- Empuje el botón de seguro del mango y gire el mango hasta la posición deseada.
- Suelte el botón de seguro del mango y asegúrese de que el mango quede trabado en posición.

ADVERTENCIA:

Para evitar perder el control y sufrir lesiones corporales serias, siempre maneje la amoladora con la mango aseguradas en su lugar.

UTILIZACIÓN DE LA AMOLADORA

Veá la figura 9, página 14.

Siempre escoja y utilice cuidadosamente las muelas abrasivas recomendadas para el material por esmerilar. Cerciórese de que la velocidad de funcionamiento mínima de la rueda accesoria seleccionada sea al menos de 8000 r/min. La muela abrasiva suministrada con la amoladora es apropiada para esmerilar partes soldadas, preparar superficies por soldar, esmerilar acero estructural y esmerilar acero inoxidable.

Para utilizar la amoladora siga estos pasos:

- Asegure el trabajo con una prensa de mano o fíjela en un banco de trabajo.

PELIGRO:

Nunca utilice la amoladora con la protección desmontada. La herramienta ha sido diseñada para utilizarse solamente con la protección montada. Intentar utilizar la amoladora con la protección desmontada puede causar el lanzamiento de partículas flojas hacia el operador, con las consiguientes lesiones corporales serias.

- Sostenga con ambas manos la amoladora al frente y lejos de usted, manteniendo la muela abrasiva alejada de la pieza de trabajo.
 - Encienda la amoladora y deje que el motor y la muela abrasiva alcancen la máxima velocidad.
 - Baje gradualmente la amoladora hasta que la muela abrasiva toque la pieza de trabajo.
 - Mantenga la amoladora inclinada a un ángulo de 5 a 15 grados.
-

ADVERTENCIA:

Para evitar perder el control y sufrir lesiones corporales serias, siempre maneje la amoladora con ambas manos, manteniendo una de ellas en el mango lateral.

- Mueva continuamente la amoladora, a un paso estable y uniforme.
-

PRECAUCIÓN:

Si se mantiene la amoladora en un solo lugar demasiado tiempo, deja marcas y ranuras en la pieza de trabajo. Si se sostiene la amoladora a un ángulo muy pronunciado, también deja marcas en la pieza de trabajo debido a la concentración de presión en un área pequeña.

- Aplique justamente la presión suficiente para evitar el traqueteo y el rebote de la amoladora.

NOTA: Una presión elevada disminuye la velocidad de la amoladora y exige más esfuerzo por parte del motor. Normalmente el peso de la herramienta por sí mismo suministra la presión adecuada para la mayoría de los trabajos de esmerilado. Aplique una presión leve al esmerilar bordes mellados o pernos flojos, donde exista la posibilidad de que la amoladora se atore en el borde metálico.

- Levante la amoladora de la pieza de trabajo antes de apagarla.

MANTENIMIENTO

ADVERTENCIA:

Para el servicio de la unidad sólo utilice piezas de repuesto RIDGID® idénticas. El empleo de piezas diferentes puede causar un peligro o dañar el producto.

ADVERTENCIA:

Siempre póngase protección ocular con la marca de cumplimiento de la norma ANSI Z87.1 al usar herramientas eléctricas o al soplar el polvo con aire comprimido. Si la operación genera mucho polvo, también póngase una mascarilla contra el polvo.

MANTENIMIENTO GENERAL

Evite el empleo de solventes al limpiar piezas de plástico. La mayoría de los plásticos son susceptibles a diferentes tipos de solventes comerciales y pueden resultar dañados. Utilice paños limpios para eliminar la suciedad, el polvo, el aceite, la grasa, etc.

ADVERTENCIA:

No permita en ningún momento que fluidos para frenos, gasolina, productos a base de petróleo, aceites penetrantes, etc., lleguen a tocar las piezas de plástico. Las sustancias químicas pueden dañar, debilitar o destruir el plástico, lo cual a su vez puede producir lesiones corporales serias.

Las herramientas eléctricas que se utilizan en materiales de fibra de vidrio, paneles de yeso para paredes, compuestos de resanar o yeso, están sujetas a desgaste acelerado y posible fallo prematuro porque las partículas y limaduras de fibra de vidrio son altamente abrasivas para los cojinetes, escobillas, conmutadores, etc. Por consiguiente, no recomendamos el uso de esta herramienta durante períodos prolongados de trabajo en estos tipos de materiales. Sin embargo, si usted trabaja con cualquiera de estos materiales, es sumamente importante limpiar la herramienta con aire comprimido.

LUBRICACIÓN

Todos los cojinetes de esta herramienta están lubricados con suficiente cantidad de aceite de alta calidad para toda la vida útil de la unidad en condiciones normales de funcionamiento. Por lo tanto, no se necesita lubricación adicional.

REEMPLAZO DE LA PROTECCIÓN

Después de un uso prolongado, la protección puede gastarse y necesitar cambiarse. Si deja caer la amoladora y se daña la protección, también es posible que sea necesario cambiarla. Consulte el apartado **Instalación/reemplazo de la protección**, previamente en este manual.

REEMPLAZO DE LAS ESCOBILLAS

Vea la figura 10, página 14.

La producto dispone de conjuntos de escobillas accesibles externamente, cuyo desgaste debe revisarse periódicamente.

- Desconecte la amoladora angular.
- Retire las tapas de las escobillas con un destornillador de punta plana. El conjunto de cada escobilla está montado con un resorte y salta al retirarse la tapa de la escobilla.
- Retire el conjunto de la escobilla (escobilla y resorte). Efectúe una inspección para ver si hay desgaste. Reemplace ambas escobillas cuando una u otra tenga menos de 6,4 mm (1/4 pulg.) de carbón restante. **No** reemplace un solo lado sin reemplazar el otro.
- Vuelva a armar la unidad empleando conjuntos de escobillas nuevos. Asegúrese de que la curvatura de la escobillas corresponda a la del motor y de que las escobillas se muevan libremente en los tubos de las mismas.
- Vuelva a colocar la tapa de la escobilla y apriétela firmemente. No efectúe un apriete excesivo.

GARANTÍA

HERRAMIENTAS ELÉCTRICAS DE MANO Y ESTACIONARIAS RIDGID® GARANTÍA DE SERVICIO LIMITADA DE 3 AÑOS

Debe presentarse prueba de la compra al solicitar servicio al amparo de la garantía.

Se limita a las herramientas de mano y estacionarias RIDGID® adquiridas a partir de 1/feb./04. Este producto está manufacturado por One World Technologies, Inc., La licencia de uso de la marca comercial es otorgada por RIDGID, Inc. Toda comunicación en relación con la garantía debe dirigirse a One World Technologies, Inc., a la atención de: Servicio Técnico de Herramientas Eléctricas de Mano y Estacionarias RIDGID, al (línea gratuita) 1-866-539-1710.

POLÍTICA DE GARANTÍA DE SATISFACCIÓN DE 90 DÍAS

Durante los primeros 90 días a partir de la fecha de compra, si no está satisfecho con el desempeño de esta herramienta de mano o estacionaria RIDGID® por cualquier razón, puede devolverla al establecimiento donde la adquirió, donde se le proporcionará un reembolso total o un intercambio. Para recibir una herramienta de reemplazo, debe presentar documentación de prueba de la compra, y devolver el equipo original empaquetado con el producto original. La herramienta de reemplazo queda cubierta por la garantía limitada por el resto del período de garantía de servicio de 3 AÑOS.

LO QUE ESTÁ CUBIERTO POR LA GARANTÍA DE SERVICIO LIMITADA DE 3 AÑOS

Esta garantía de las herramientas de mano y estacionarias RIDGID® cubre todos los defectos en materiales y mano de obra, así como piezas desgastables como escobillas, portabrocas, motores, interruptores, cordones eléctricos, engranajes e incluso las pilas inalámbricas de esta herramienta RIDGID® por tres años a partir de la fecha de compra de la herramienta. Las garantías de otros productos RIDGID® pueden ser diferentes.

FORMA DE OBTENER SERVICIO

Para obtener servicio para esta herramienta RIDGID®, debe devolverla, ya sea con el flete pagado por anticipado, o llevarla a un centro de servicio autorizado para herramientas eléctricas de mano y estacionarias de la marca RIDGID®. Para obtener información sobre el centro de servicio autorizado más cercano a usted, le suplicamos llamar al (línea gratuita) 1-866-539-1710 o visitar el sitio electrónico de RIDGID® en la red mundial, www.ridgid.com. Al solicitar servicio al amparo de la garantía, debe presentar el recibo fechado de venta. El centro de servicio autorizado reparará toda mano de obra deficiente del producto, y reparará o reemplazará cualquier pieza cubierta en la garantía, a nuestra sola discreción, sin ningún cargo al consumidor.

LO QUE NO ESTÁ CUBIERTO

Esta garantía se ofrece exclusivamente al comprador original al menudeo y no puede transferirse. Esta garantía sólo cubre defectos que surjan en el uso normal de la herramienta y no cubre ningún malfuncionamiento, falla o defecto producido por el uso indebido, maltrato, negligencia, alteración, modificación o reparación efectuada por terceros diferentes de los centros de servicio autorizados para herramientas eléctricas de mano y estacionarias de la marca RIDGID®. No están cubiertos los accesorios suministrados con la herramienta, como las hojas, brocas, papel de lija, etc.

RIDGID, INC. Y ONE WORLD TECHNOLOGIES, INC. NO OFRECEN NINGUNA GARANTÍA, DECLARACIÓN O PROMESA EN RELACIÓN CON LA CALIDAD O EL DESEMPEÑO DE SUS HERRAMIENTAS ELÉCTRICAS MÁS QUE LAS SEÑALADAS ESPECÍFICAMENTE EN ESTA GARANTÍA.

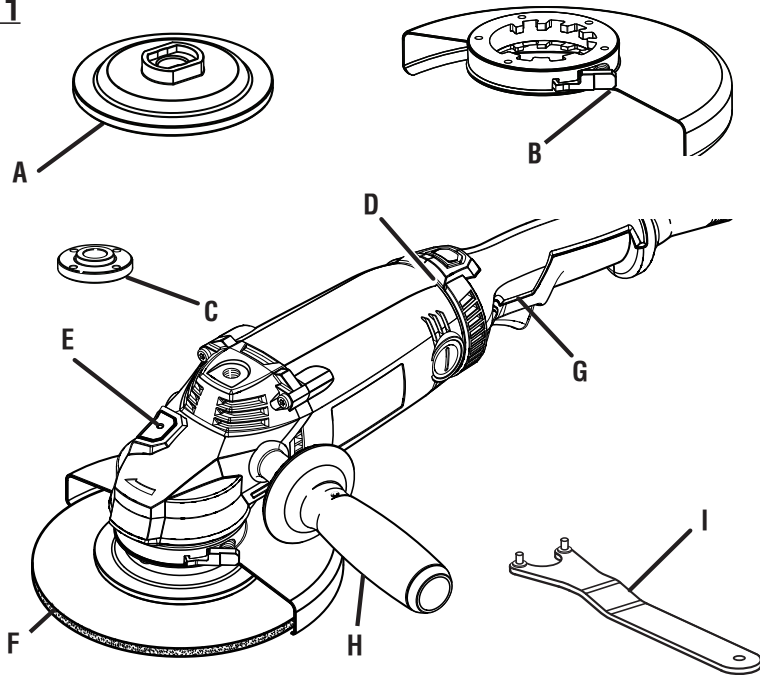
LIMITACIONES ADICIONALES

Hasta donde lo permiten las leyes relevantes, se desconoce toda garantía implícita, incluidas las garantías de comerciabilidad o idoneidad para un uso en particular. Toda garantía implícita, incluidas las garantías de comerciabilidad o idoneidad para un uso en particular, que no pueda desconocerse según las leyes estatales, está limitada a tres años a partir de la fecha de compra. One World Technologies, Inc. y RIDGID, Inc. no son responsables de daños directos, indirectos, incidentales o consecuentes. Algunos estados no permiten limitaciones en cuanto al período de vigencia de una garantía implícita y/o no permiten exclusiones o limitaciones de daños incidentales o consecuentes, por lo tanto es posible que esta limitación no se aplique en el caso de usted. Esta garantía le confiere derechos legales específicos, y es posible que usted goce de otros derechos, los cuales pueden variar de estado a estado.

One World Technologies, Inc.

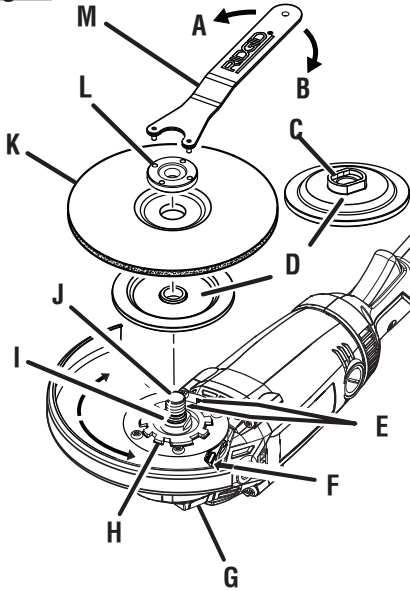
P.O Box 35 Highway 8
Pickens, SC 29671, USA

Fig. 1



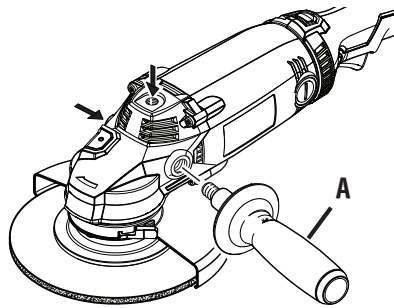
- A - Disc flange (bride circulaire, brida circular)
- B - Guard (garant, protección)
- C - Clamp nut (écrou de serrage, tuerca de presión)
- D - Handle lock button (bouton de verrou de la poignée, botón de seguro del mango)
- E - Spindle lock button (bouton de blocage de l'axe, botón de bloqueo del husillo)
- F - Grinding wheel (meule, muela abrasiva)
- G - Switch trigger (gachette, gatillo del interruptor)
- H - Side handle (poigne latéral, manua lateral)
- I - Wrench (cle, llave)

Fig. 2



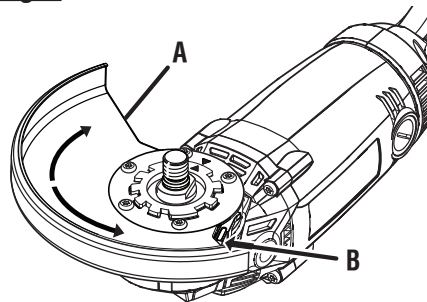
- A - To loosen (pour desserrer, para aflojar)
- B - To tighten (pour serrer, para apretar)
- C - Flats (méplat, planas)
- D - Disc flange (bride circulaire, brida circular)
- E - Index arrows (flèches, flechas)
- F - Depress lever to rotate (appuyer sur le levier pour faire tourner, oprima la palanca para girar)
- G - Spindle lock button (bouton de blocage de l'axe, botón de bloqueo del husillo)
- H - Bearing cap (chapeau de roulement, tapa del cojinete)
- I - Flats (méplats, planas)
- J - Spindle (axe, husillo)
- K - Grinding wheel (meule, muela abrasiva)
- L - Clamp nut (écrou de serrage, tuerca de presión)
- M - Wrench (Clé, Llave)

Fig.3



- A - Side handle (poignée latérale, manija lateral)

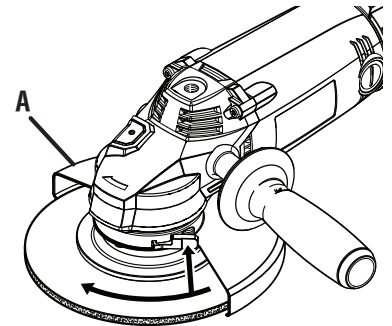
Fig.4



**ASSEMBLY OF GUARD TO GRINDER /
ASSEMBLAGE DE GARANT À LA MEULEUSE
/ ARMADO DEL PROTECCIÓN A LA
AMOLADORA**

- A - Toolless guard (garant sans outil, protección)
- B - Depress lever to rotate (appuyer sur le levier, oprima la palanca para girar pour faire tourner)

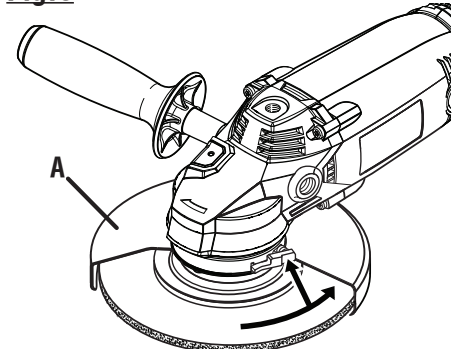
Fig.5



**SIDE HANDLE ON LEFT SIDE GRINDER /
POIGNÉE À GAUCHE / MANGO EN EL LADO
IZQUIERDO DE LA AMOLADORA**

- A - Toolless Guard (Garant Sans Outil, Protección)

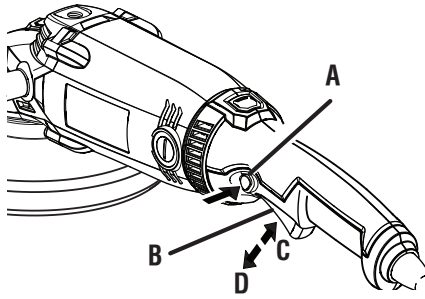
Fig.6



**SIDE HANDLE ON RIGHT SIDE GRINDER /
POIGNÉE À DROITE / MANGO EN EL LADO
DERECHO DE LA AMOLADORA**

- A - Toolless guard (garant sans outil, protección)

Fig.7



- A - Lock-on button (bouton de verrouillage, botón del seguro de encendido)
- B - Switch trigger (Gâchette, gatillo del interruptor)
- C - On (arrêt, apagado)
- D - Off (marche, encendido)

Fig.9

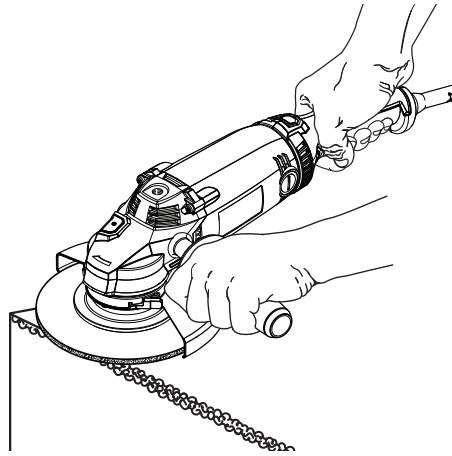
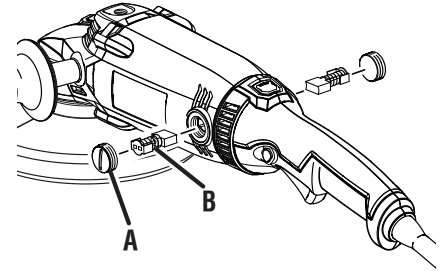
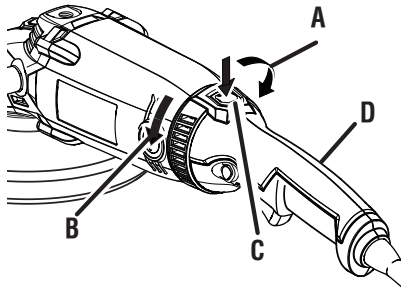


Fig.10



- A - Brush cap (couvercle de balai, tapa de escobilla)
- B - Brush assembly (balai, conj de la escobilla)

Fig.8



- A - Rotate right (tourner droit, gire derecha)
- B - Rotate left (tourner gauche, gire izquierda)
- C - Handle lock button (bouton de verrou de la poignée, boton de seguro del mango)
- D - Handle (poignée, mango)

