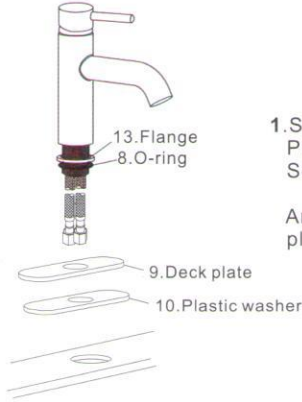
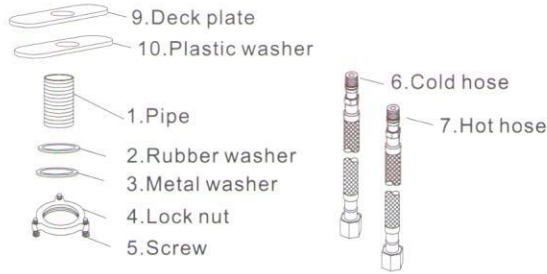
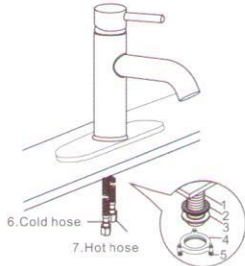


# TYPE TWO:

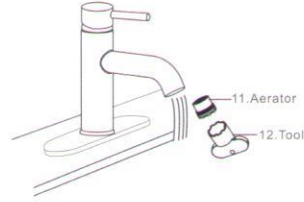


1. Screw pipe(1) on the faucet. Put flange(13) and o-ring(8) onto the pipe(1). Screw hot hose(7) and cold hose(6) on the faucet.

And then put them into the deck plate(9), plastic washer(10) and hole.



2. Screw rubber washer(2), metal washer(3) and lock nut(4) onto the pipe(1). And then connect water supply(not included) on the hot hose(7) and cold hose(6).



3. Open the hot and cold water supplies. Check for leaks. Turn on faucet handle for one minute to flush debris from faucet.

If the product you have purchased don't have the tools, it indicates that you do not need the tools for your product.

If water flow is too small or no water, the aerator may be blocked. If so, you should use the tool(12) to take off the aerator(11), clean it and re-install it.