

WF50K7500AV

Samsung Front-Load Washer

5.0 cu. ft. Capacity

Features

- AddWash
- Super Speed
- PowerFoam™
- Steam Wash
- VRT Plus™
- Smart Home Ready
- Self Clean+
- Smart Care
- Swirl Drum Design
- Direct Drive Motor
- 1300 RPM Maximum Spin Speed
- 14 Preset Wash Cycles
- 13 Options

Convenience

- Child Lock
- Door Lock
- Dispenser Trays: Prewash, Main Wash, Softener, Bleach



ENERGY STAR®-rated:

CEE Tier 3
IMEF = 2.92
IWF = 2.9
105 kWh/yr



AddWash



5.0 cu. ft. Capacity

Available Colors:



Black Stainless Steel



White

Signature Features

AddWash

- Conveniently add in forgotten laundry after the cycle has begun with the **AddWash** door.
- Save time and energy by not doing an additional load of laundry.

5.0 CU. FT. CAPACITY

- Largest 27" Front Load Washer in the industry¹ lets you wash over 3 laundry baskets in a single load.²
- 5.0 cu. ft. capacity gets more laundry done in less time.

¹Based on USDOE/EPA listing.

²Based on an 8-lb. load of laundry.

SUPER SPEED

- Breakthrough technology provides a 50% faster and thorough wash cycle.
- Wash a full load in only 30 minutes.²

²Normal 1-hour wash can be completed in as little as 30 minutes as compared to WF511 washer without Super Speed. Based on DOE standard's average of 7.5 loads per week.

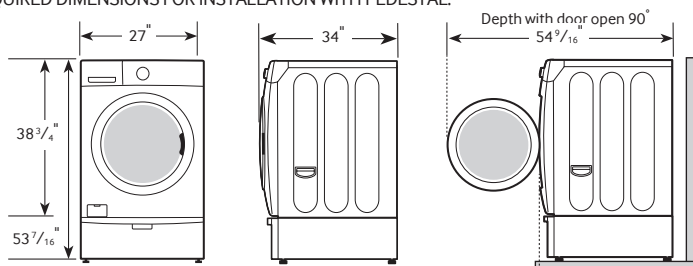
SAMSUNG

WF50K7500AV

Samsung Front-Load Washer

Dimensions

REQUIRED DIMENSIONS FOR INSTALLATION WITH PEDESTAL:

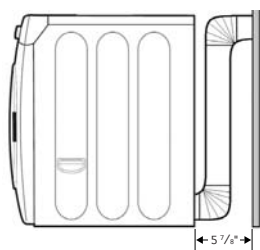
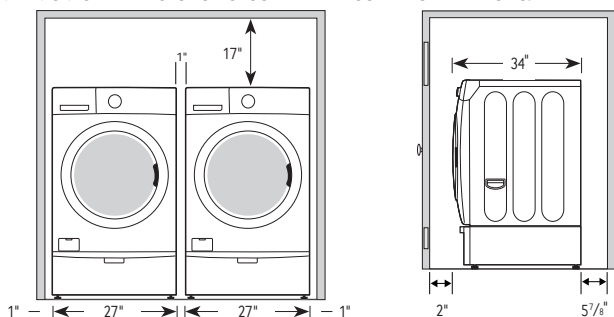


Installation Specifications

If the washer and dryer are installed together or the dryer alone, the closet front must have two unobstructed air openings for a combined minimum total area of 72 in.² (see stacked build below). Your washer alone does not require a specific air opening.

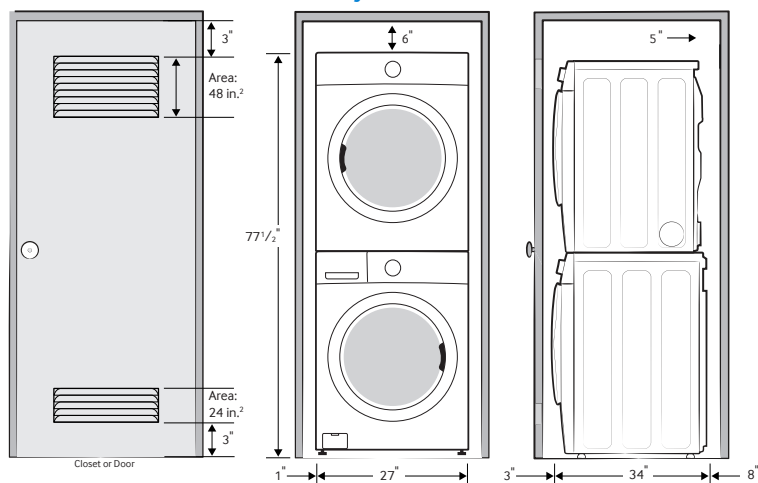
1. Alcove or closet installation

MINIMUM CLEARANCES FOR CLOSET AND ALCOVE INSTALLATIONS:



When installing with matching dryer, if the exhaust duct is installed at the rear of the dryer, the rear must have at least 5 7/8 inch clearance.

2. With stacked washer and dryer



5.0 cu. ft. Capacity

14 Preset Wash Cycles:

Eco Cold, Normal, Heavy Duty, Permanent Press, Sanitize, Allergen, Bedding, Deep Steam, Whites, Active Wear, Delicates, Wool, Quick Wash, Rinse and Spin

13 Options:

Super Speed, Steam, Self Clean+, Delay End, My Cycle, Prewash, Extra Rinse, Extra Spin, Spin Only, Sound, Child Lock, Smart Care, Drum Light

5 Temperature Settings:

Extra Hot, Hot, Warm, Eco Warm, Cold

5 Spin Settings:

Extra High, High, Medium, Low, No Spin

5 Soil Settings:

Heavy, Heavy Medium, Normal, Low Medium, Light

Dispenser Trays:

Prewash, Main Wash, Softener, Bleach

Warranty

One (1) Year Parts and Labor
One (1) Year Control Board
Three (3) Years Stainless Steel Drum
Ten (10) Years Direct Drive Motor

Product Dimensions & Weight (WxHxD)

Dimensions: 27" x 38 3/4" x 34"

Weight: 238 lbs

Shipping Dimensions & Weight (WxHxD)

Dimensions: 29 3/8" x 42 15/16" x 36 3/16"

Weight: 244 lbs

Color	Model #	UPC Code
Black Stainless Steel	WF50K7500AV	887276135557
White	WF50K7500AW	887276135564

Matching Dryer (Electric/Gas)

Black Stainless Steel	DV50K7500EV	887276135946
White	DV50K7500EW	887276135960
Black Stainless Steel	DV50K7500GV	887276135977
White	DV50K7500GW	887276135984

Optional Stacking Kit

Sold separately SKK-7A 887276146423



Actual color may vary. Design, specifications, and color availability are subject to change without notice. Non-metric weights and measurements are approximate.

©2016 Samsung Electronics America, Inc. 85 Challenger Road, Ridgefield Park, NJ 07660. Tel: 800-SAMSUNG. samsung.com. Samsung is a registered trademark of Samsung Electronics Co. Ltd.