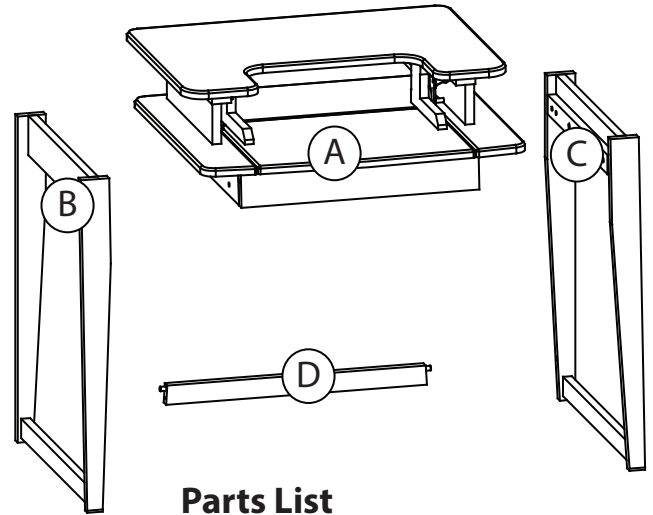
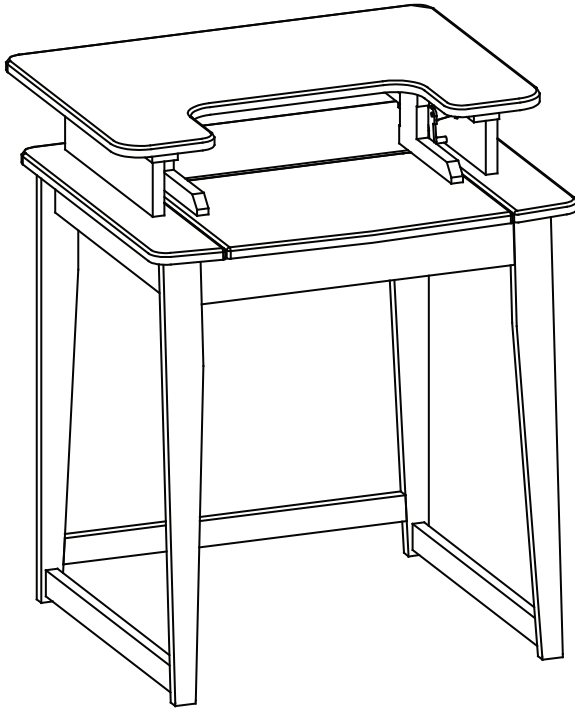


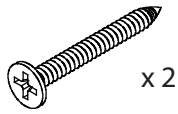
Assembly Instruction
Item# 900-1X
Freestyle Stand Up Desk with Leg



Parts List

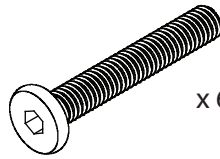
(A)	Table Top	1 Pc.
(B)	Left Panel	1 Pc.
(C)	Right Panel	1 Pc.
(D)	Crossbar	1 Pc.

Hardware



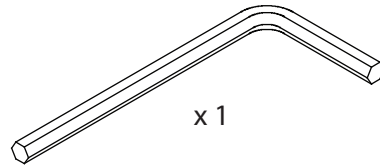
x 2

Small Screw
F6 x 1 1/4"



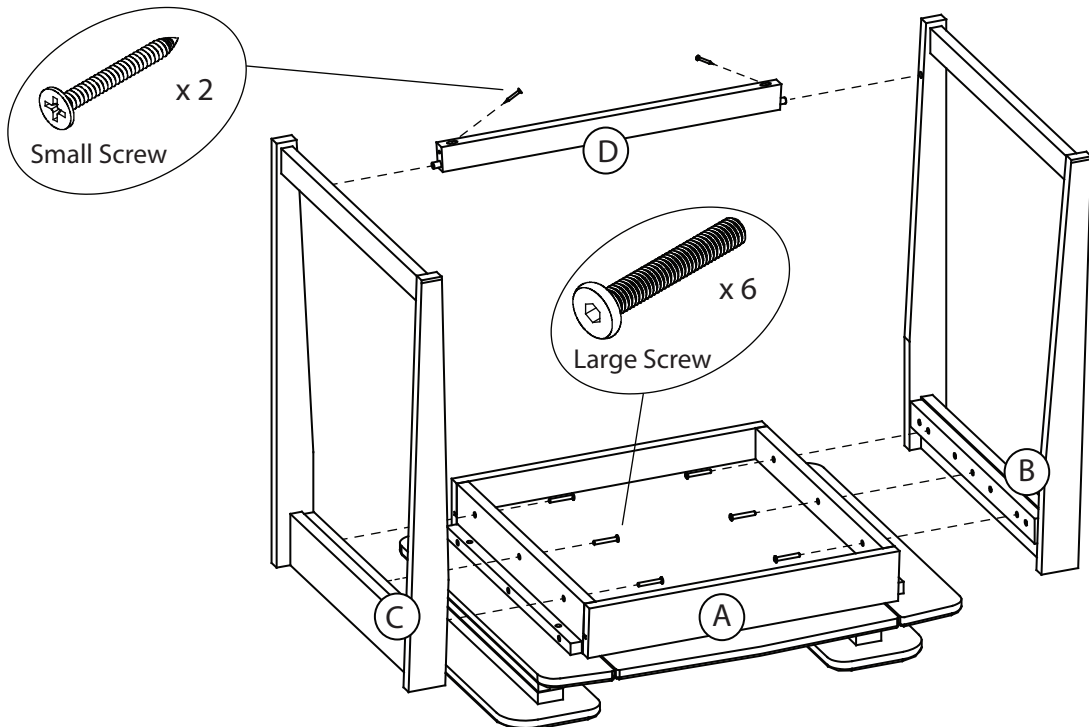
x 6

Large Screw
JCB M6 x 40 mm



x 1

Allen Key



Invert the Table Top (A) on the soft surface. Attach Left Panel (B), Right Panel (C) and Crossbar (D) together using screw as suggest.