



PRESCHOOL JUMPER KIDS TRAMPOLINE

Model# 9007PJ
PRODUCT MANUAL - VERSION 6.19.1

FOR AGES:

3-7

WEIGHT LIMIT:

75 Lbs
34 Kgs

TO BUILD:



TOOLS NEEDED:



HOW-TO
VIDEOS ONLINE



Manual en
español ubicado
en GQBrands.com

Spanish Manual located
at GQBrands.com

CUSTOMER SERVICE

GQBrands.com • CustomerService@GQBrands.com • 1-866-498-5269 • 4401 Samuell Blvd, Ste 150, Mesquite, TX 75149



CUSTOMER SERVICE INFORMATION

Thank you for purchasing: **PRESCHOOL JUMPER KIDS TRAMPOLINE**

MODEL# 9007PJ

If you have an issue with your item, do not return. Please report items that are damaged or missing parts to the manufacturer GQ Brands within three days of delivery. Contact customer service at customerservice@gqbrands.com or toll-free at 1-866-498-5269

At GQBrands®, we want all of our customers to be completely satisfied with their purchase. Take time to review the contents of the product you have just received to make sure that all of the parts are included. If you find that any parts are missing or damaged, we will provide replacement parts at no charge within 30 days of purchase.

Please keep in mind that for select damaged part replacement requests, we will require a photo for submission.

To order these parts, or if you have any other questions or concerns about this GQBrands product, please contact us at

PureFun.Net
GQBrands®
Phone: 1-866-498-5269
Email: CustomerService@GQBrands.com
4401 Samuell Blvd, Ste 150,
Mesquite, TX 75149

Please be sure to include the following information when you contact Customer Service:

YOUR NAME: _____

YOUR MAILING ADDRESS: _____

YOUR EMAIL ADDRESS: _____

PRODUCT NAME: _____

PRODUCT MODEL#: _____

PART NUMBER _____

RETAILER WHERE PURCHASED: _____

DATE OF PURCHASE: _____

ORDER NUMBER: *(If Available)* _____

SERIAL NUMBER: *(If Available)* _____

QUANTITY NEEDED: _____

PICTURE OF DAMAGED PART

LIMITED WARRANTY

Global Quality Brands® warrants this product to be free from defects in workmanship and materials under normal use and conditions for a period of 90 DAYS FROM THE DATE OF ORIGINAL PURCHASE. This Limited Warranty is not transferable and is available only for the original purchaser of the Product. The Company's obligation under this warranty is limited to replacing or repairing the Product, at the discretion of the company.

All warranty coverage extends only to the original retail purchaser from the date of purchase, GQ Brands obligation under this warranty is limited to replacing or repairing, at Global Quality Brands® option. All products for which a warranty claim is made must be received by Global Quality Brands® and accompanied by sufficient proof of purchase (photocopy of the original store receipt, indicating the date of purchase). All freight and handling fees are the responsibility of the consumer to pay, both to and from Global Quality Brands®. All warranty claims must be preauthorized by Global Quality Brands® pre-authorization can be obtained by calling 866-498-5269.

This warranty does not cover ordinary wear and tear, weathering, failure to follow directions, improper installation, improper maintenance, or acts of nature, (such as damage caused by wind, lightning, snow, water, or ice) weather damage, damage caused by unauthorized repair work or damage caused by improper use of the products are not covered by the product warranty. No other warranty beyond that specifically set forth above is authorized by GQBrands®.

GLOBAL QUALITY BRANDS® IS NOT RESPONSIBLE OR LIABLE FOR INDIRECT, SPECIAL OR CONSEQUENTIAL DAMAGES ARISING OUT OF OR IN CONNECTION WITH THE USE OR PERFORMANCE OF THE PRODUCT OR OTHER DAMAGES WITH RESPECT TO ANY ECONOMIC LOSS, LOSS OF PROPERTY, LOSS OF REVENUE OR PROFITS, LOSS OF ENJOYMENT OR USE, COST OF REMOVAL, INSTALLATION OR OTHER CONSEQUENTIAL DAMAGES. SOME STATES DO NOT ALLOW THE EXCLUSION OR LIMITATION OF INCIDENTAL OR CONSEQUENTIAL DAMAGES. ACCORDINGLY,

THE ABOVE LIMITATION MAY NOT APPLY TO YOU. THE WARRANTY EXTENDED HEREUNDER IS IN LIEU OF ALL OTHER WARRANTIES AND GLOBAL QUALITY BRANDS®, SPECIFICALLY DISCLAIMS ANY IMPLIED WARRANTY OF MERCHANTABILITY OR FITNESS FOR A PARTICULAR PURPOSE IS LIMITED IN ITS SCOPE AND DURATION TO THE TERMS SET FORTH HEREIN. SOME STATES DO NOT ALLOW LIMITATION ON HOW LONG AN IMPLIED WARRANTY LASTS. ACCORDINGLY, THE ABOVE LIMITATION MAY NO APPLY TO YOU. THIS WARRANTY GIVES YOU SPECIFIC LEGAL RIGHTS. YOU MAY ALSO HAVE OTHER RIGHTS, WHICH VARY FROM STATE TO STATE.

WHILE EVERY ATTEMPT IS MADE TO ENSURE THE HIGHEST DEGREE OF PROTECTION IN ALL EQUIPMENT, WE CANNOT GUARANTEE FREEDOM OF INJURY. THE USER ASSUMES ALL RISK OF INJURY DUE TO USE. ALL MERCHANDISE IS SOLD ON THIS CONDITION, WHICH NO REPRESENTATIVE OF GQBRANDS® CAN WAIVE OR CHANGE.



⚠ WARNINGS



ADULT ASSEMBLY REQUIRED **CHOKING HAZARD - Small Parts** **NOT for children under 3 years of age.**

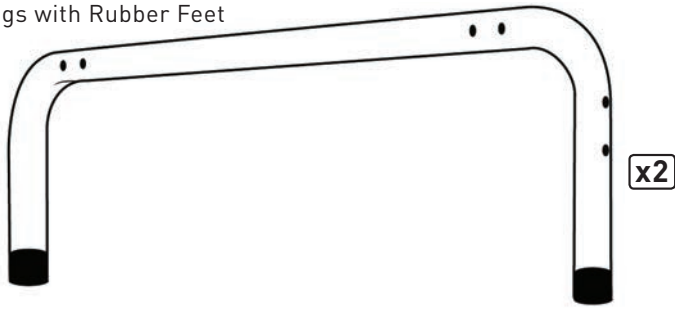
Please read these warnings and the information in this manual in its entirety.

Failure to comply with the following instructions may increase the risk of serious injury and/or death:

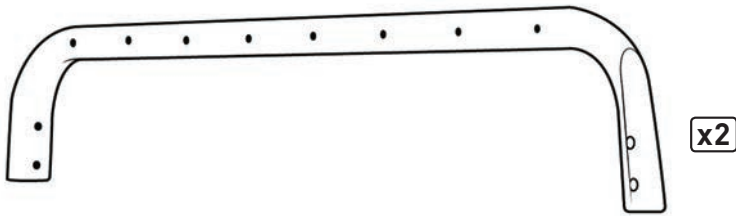
- This unit must be assembled and disassembled by **ADULTS ONLY**.
- Children must be supervised at all times when using this equipment. **DO NOT** leave children unattended at any time.
- Children **MUST NEVER** use the trampoline unless supervised by a responsible adult with knowledge of trampoline use.
- This trampoline is suitable for use by most children 3 to 7 years of age.
- **DO NOT** exceed the **MAXIMUM WEIGHT** limit of 75lbs (35kgs) regardless of age.
- This trampoline is **NOT** for adult use.
- The trampoline handle is only intended to assist your child with controlling their bounce and maintaining their balance on the mat. The handle should **NOT** be used for any other purpose or as a climbing feature.
- This trampoline is only designed for normal residential indoor use. It is **NOT** intended for commercial applications and/or in public areas such as schools, parks, nurseries, day schools, day cares, etc. For **INDOOR USE ONLY**: Your trampoline should be placed at a safe distance from any obstructions, stairways, windows, furniture, appliances, etc.
- **DO NOT** allow more than one person on the trampoline at a time.
- **DO NOT** wear glasses or helmets when using the trampoline.
- **DO NOT** fall or bounce on your knees - this can cause injury.
- **DO NOT** somersault — this can cause serious injury, including paralysis or death.
- **DO NOT** allow other persons to go under, sit, stand or lie on or near the frame pads or mat while the trampoline is in use.
- **NEVER** store items or playthings under the trampoline.
- **ALWAYS** secure this trampoline against unauthorized and/or unsupervised use.
- **DO NOT** use or allow use of the trampoline under the influence of any substance or medication which may impair the supervisor's or jumper's judgment and/or coordination.
- Mount and dismount the trampoline with care as injury may result.
- **ALWAYS** remove jewelry, belt buckles, or any other sharp objects before using the trampoline.
- **ALWAYS** jump in the middle of the trampoline bed.
- **NEVER** wear footwear (e.g. shoes) when using the trampoline. Socks should be worn to protect the feet.
- You should only use the included Spring Tool to attach the Springs. Work gloves are recommended to be worn when attaching the Springs to protect against pinch points.
- Before each use of this product, carefully inspect it and replace any worn, defective or missing parts. Although the springs, pad, foam and mat are made to take a lot of wear, over time these parts may need to be replaced. Additionally, the construction of this trampoline uses hardware which may need to be re-tighten in certain cases. It is important to check the trampoline periodically to ensure the frame is steady and all parts are in good condition.
- **ALWAYS** make sure that the bolt ends are covered by the included Safety Caps. If a Safety Cap is missing, the bolt ends should be sufficiently covered with another protective device before use by a child is allowed.
- Please read and refer to other warnings and use information in the trampoline instructions before use.
- Please read and refer to other warnings and use information in the Safe Play Tips before use.
- Dispose of all packaging materials safely and per local ordinance.
- We cannot guarantee freedom from injury. The user assumes all risks of injury due to use. All merchandise is sold on this condition, which no representative of the company can waive or change.

PARTS LIST

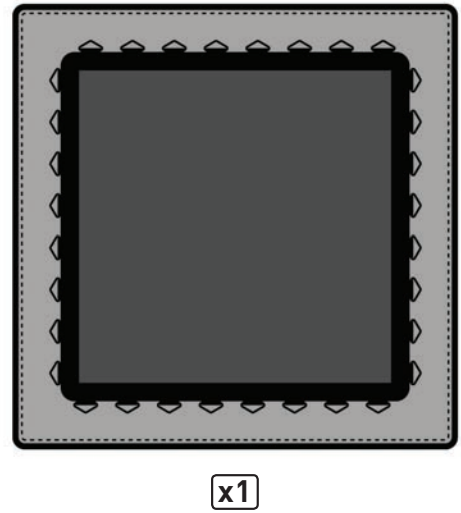
1- Side Legs with Rubber Feet



2- Front/Back Rails



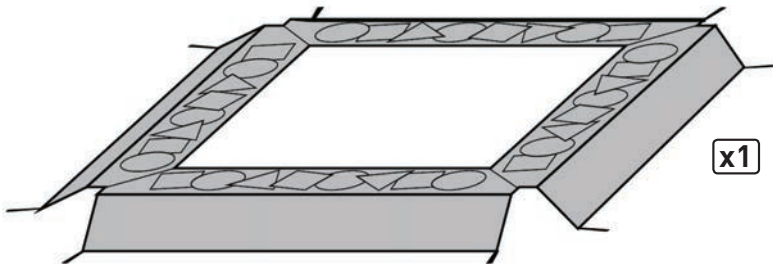
3- Jump Mat



4- Handle with Foam

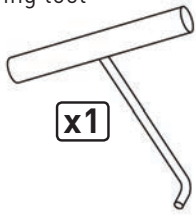


5- Frame Pad

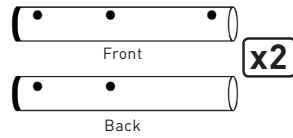


PARTS LIST

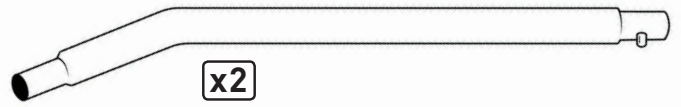
6 - Spring tool



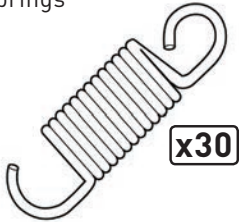
7 - Handle Base Tube



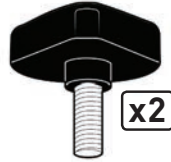
8 - Handle Uprights



9 - Springs



10 - Lock Knob



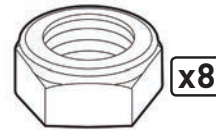
11 - Short Bolts



12 - Large Washers



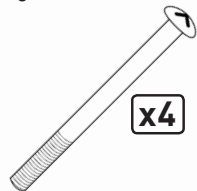
13 - Large Hex Nuts



14 - Large Safety Cap



15 - Long Bolts



16 - Washer



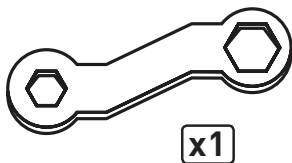
17 - Hex Nut



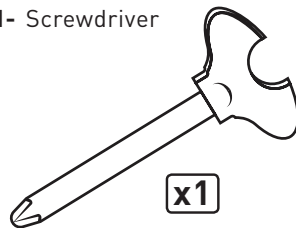
18 - Safety Cap



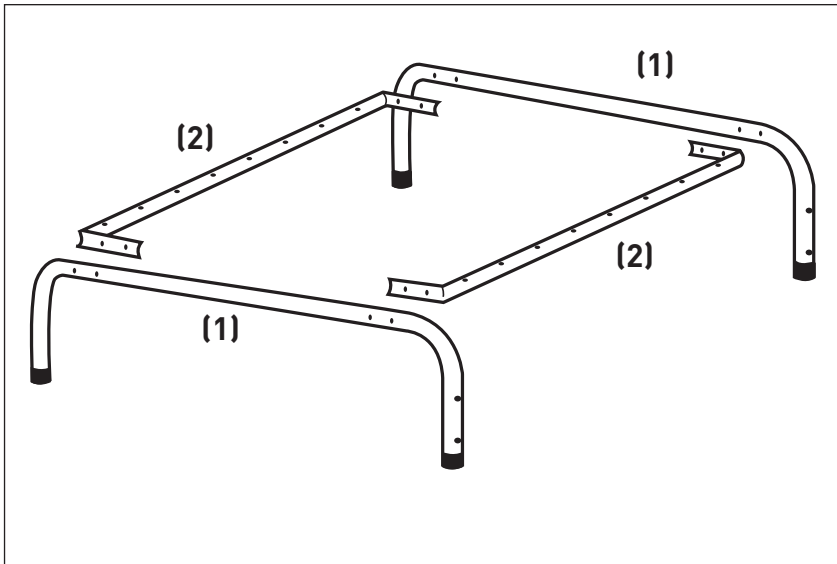
20 - Wrench



21 - Screwdriver



ASSEMBLY INSTRUCTIONS



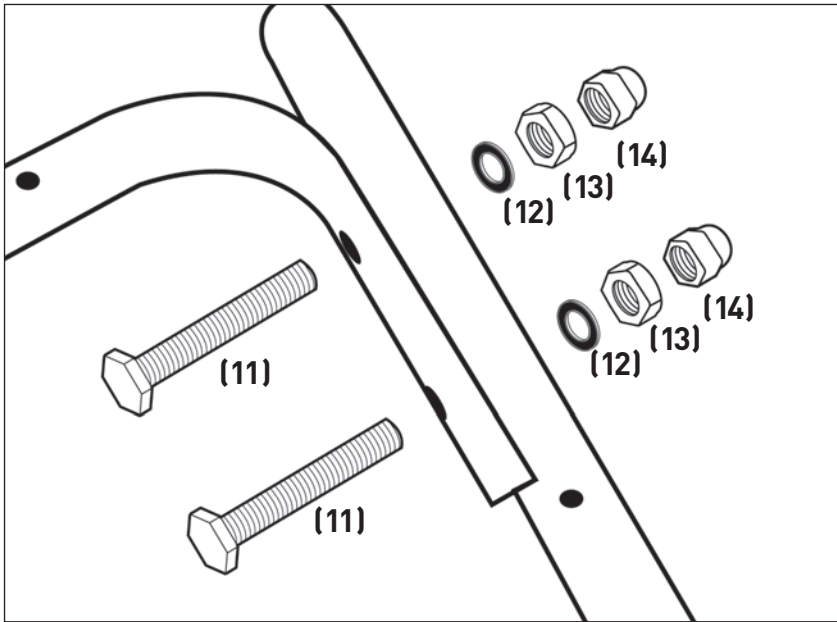
STEP 1:

Parts:

- Part 1 (x2) - Side Legs with Rubber Feet
- Part 2 (x2) - Front/Back Rails

Face the Front/Back Rails (2) to the Side Legs with Rubber Feet (1) by aligning the openings.

All upper openings must be facing upwards to attach the springs.



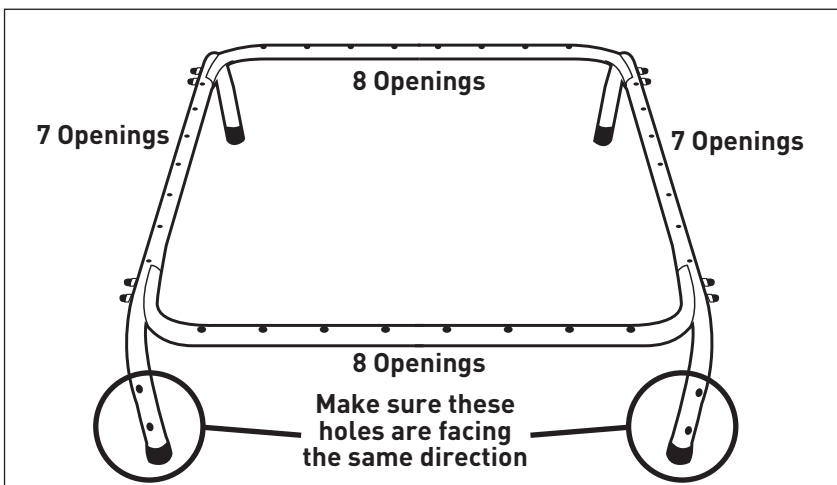
STEP 2:

Parts:

- Part 11 (x8) - Short Bolts
- Part 12 (x8) - Large Washers
- Part 13 (x8) - Large Hex Nuts
- Part 14 (x8) - Large Safety Cap

Connect all rails by using the parts listed in the correct order.

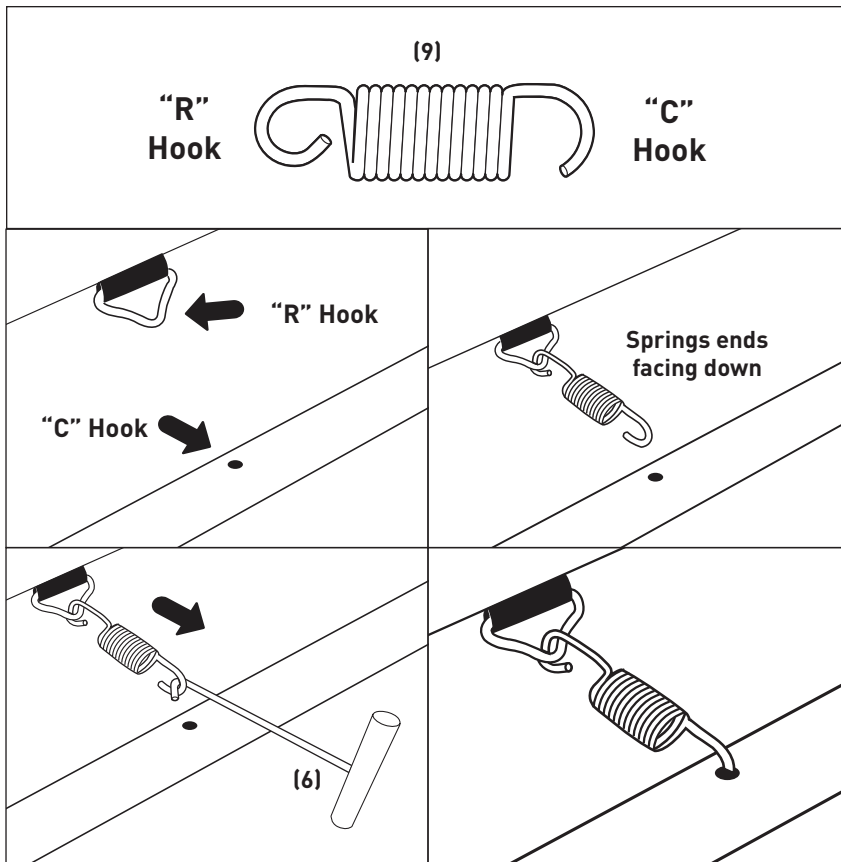
The Short Bolts (11) need to be inserted from the inside of the rails, and The Large Safety Caps (14) must be tightened from the outside of the rails.



STEP 3:

Once installed, make sure the assembled pieces look like the image shown.

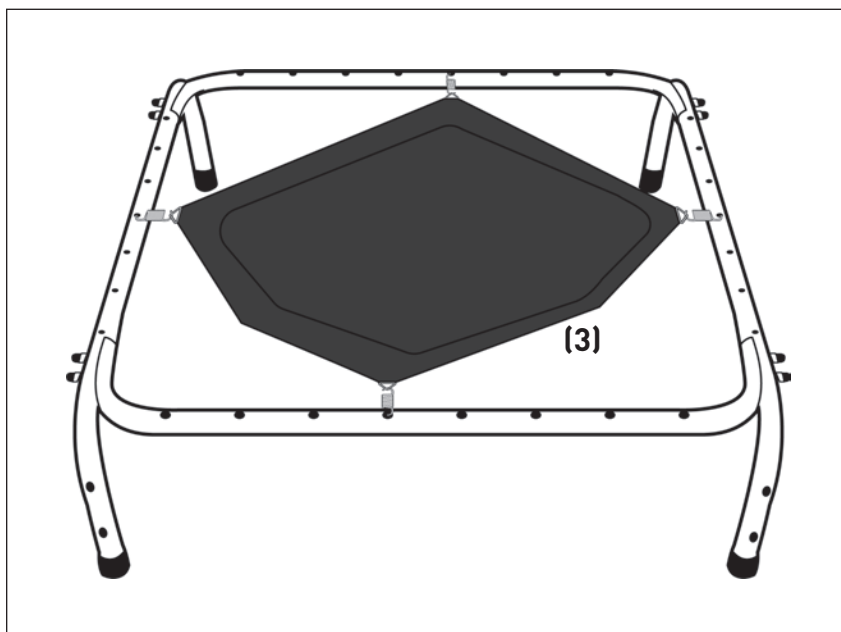
ASSEMBLY INSTRUCTIONS



LEARNING TO INSTALL SPRINGS

Install the Spring (9) by placing the "R" Hook on the V-Ring of the Trampoline Mat.

Using the Spring Tool (6), pull the "C" Hook until it reaches the opening in the frame.



STEP 4:

Parts:

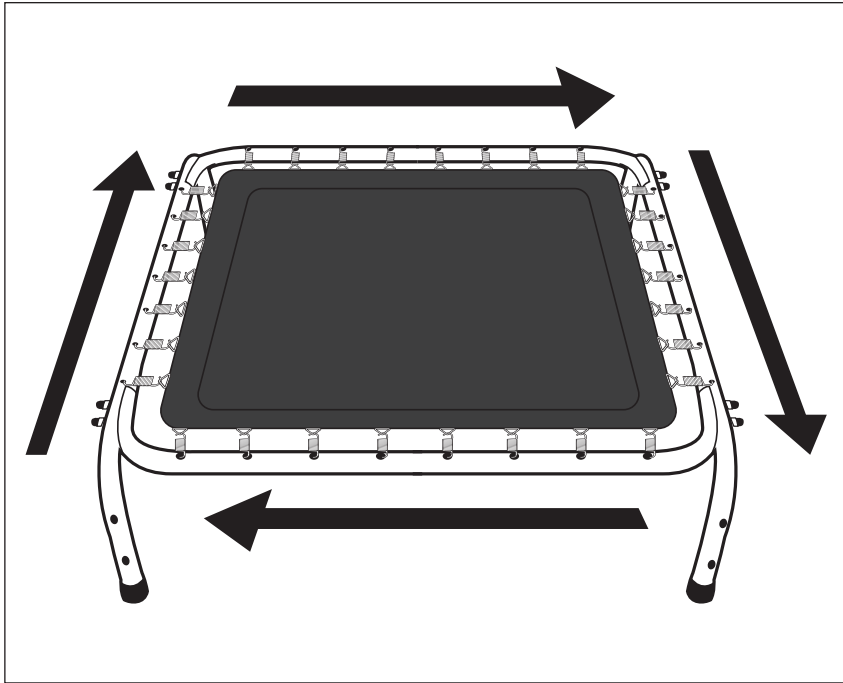
Part 3 (x1) - Jump Mat

Part 9 (x4) - Springs

To ease the tension, and avoid ripping on the Jump Mat, place 4x Springs (3) as shown in the image.

NOTE: The Jump Mat will have a skirt installed, it must be facing upwards to cover the springs.

ASSEMBLY INSTRUCTIONS

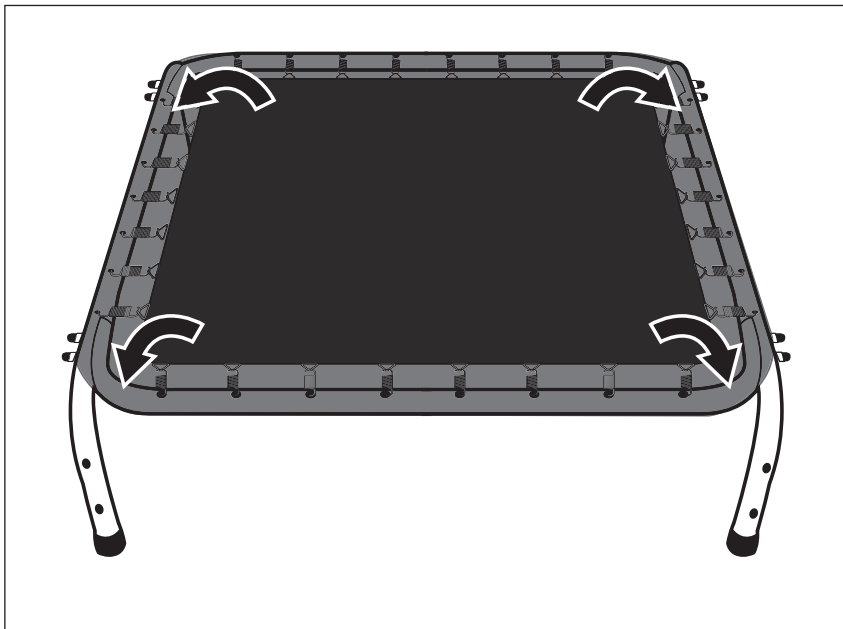


STEP 5:

Parts:

Part 9 (x26) - Springs

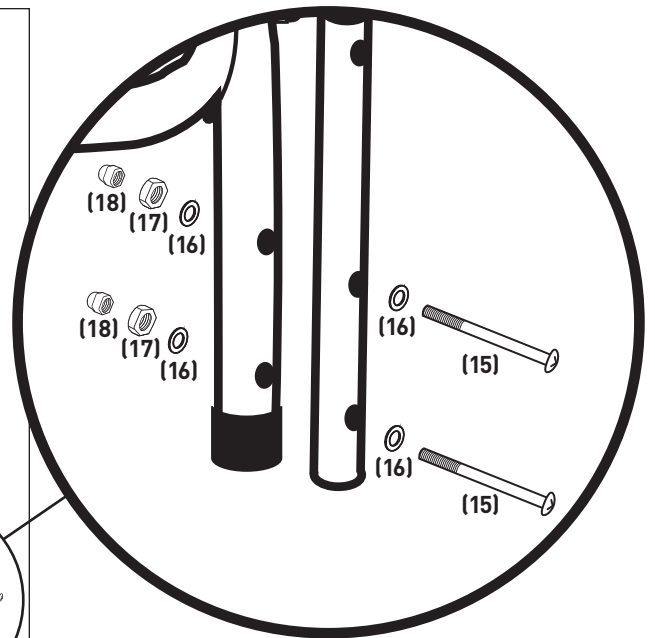
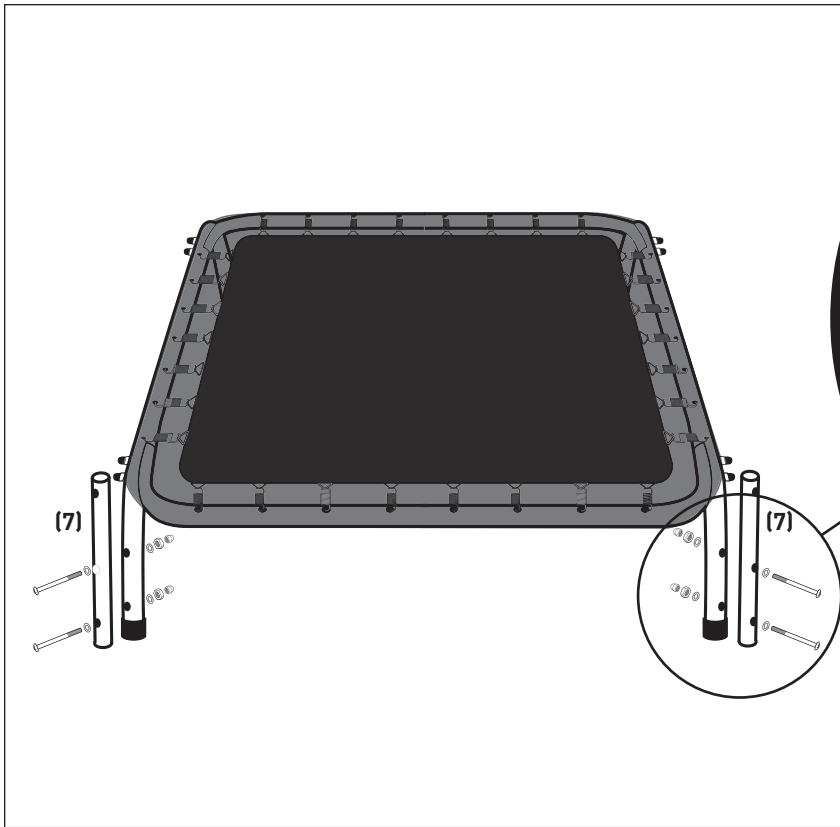
Once the first springs have been installed, complete the installation on the Jump Mat by installing the remainder of the Springs in a clockwise direction.



STEP 6:

The Jump Mat Skirt can now be stretched out to cover all springs.

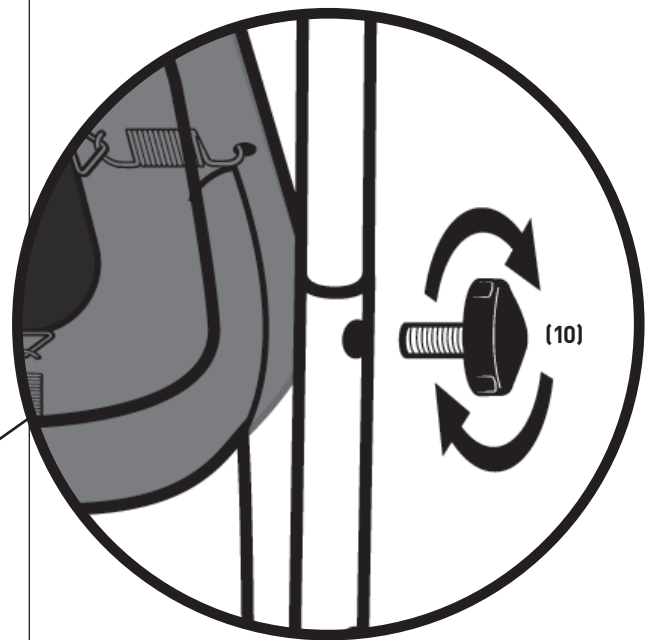
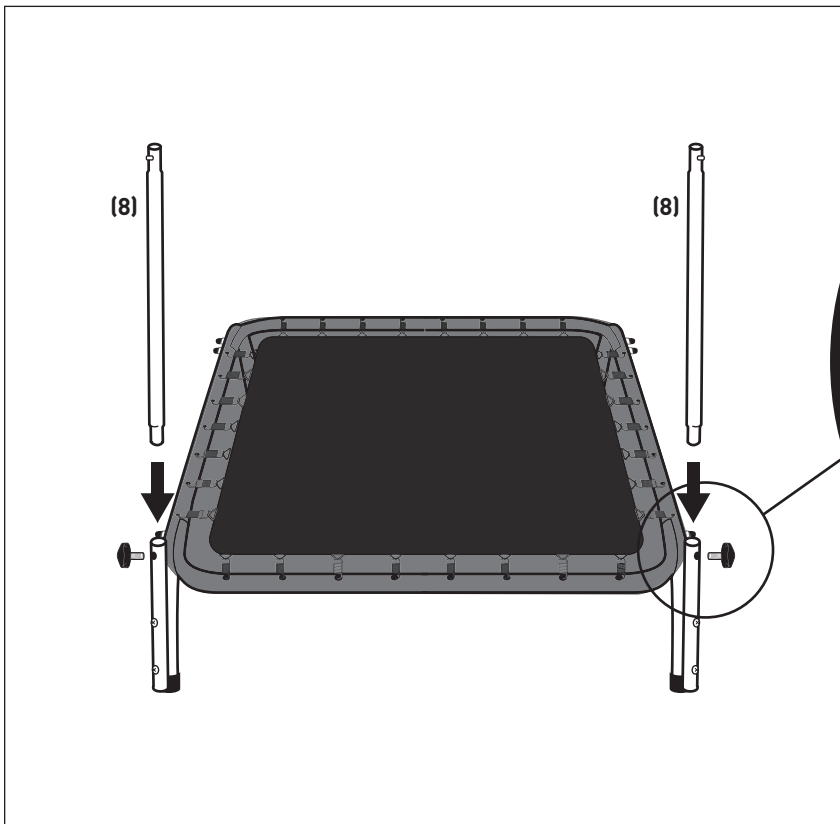
ASSEMBLY INSTRUCTIONS



STEP 7:

Parts:

- Part 15 (x4) - Long Bolts
- Part 16 (x4) - Washer
- Part 17 (x4) - Hex Nuts
- Part 18 (x4) - Safety Cap

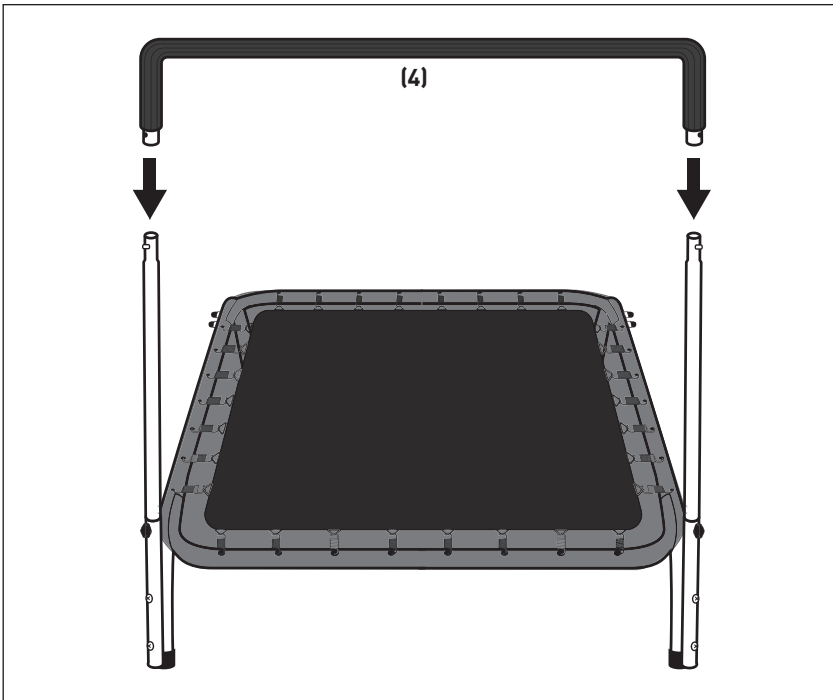


STEP 8:

Parts:

- Part 8 (x2) - Handle Uprights
- Part 10 (x2) - Lock Knob

ASSEMBLY INSTRUCTIONS

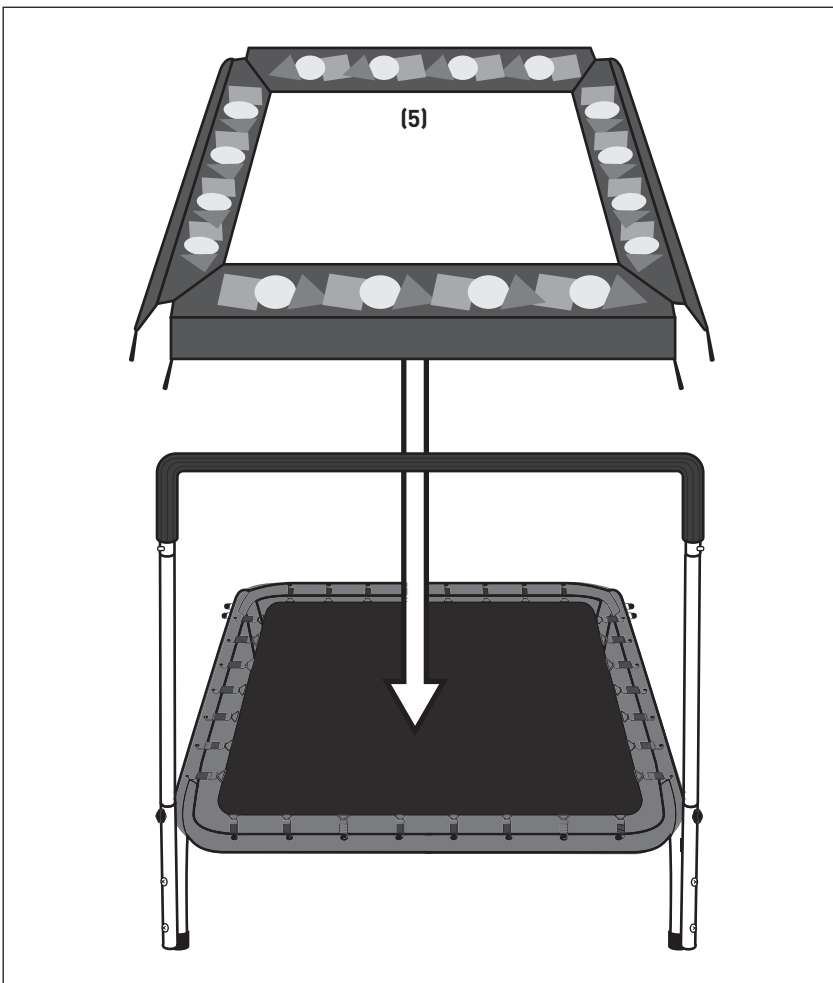


STEP 9:

Parts:

Part 4 (x1) - Handle with Foam

Place the Handle with Foam (4) on top of the Handle Uprights by pressing down on the Snap buttons, sliding the Handle down, and letting the buttons meet with the openings to secure it.



STEP 10:

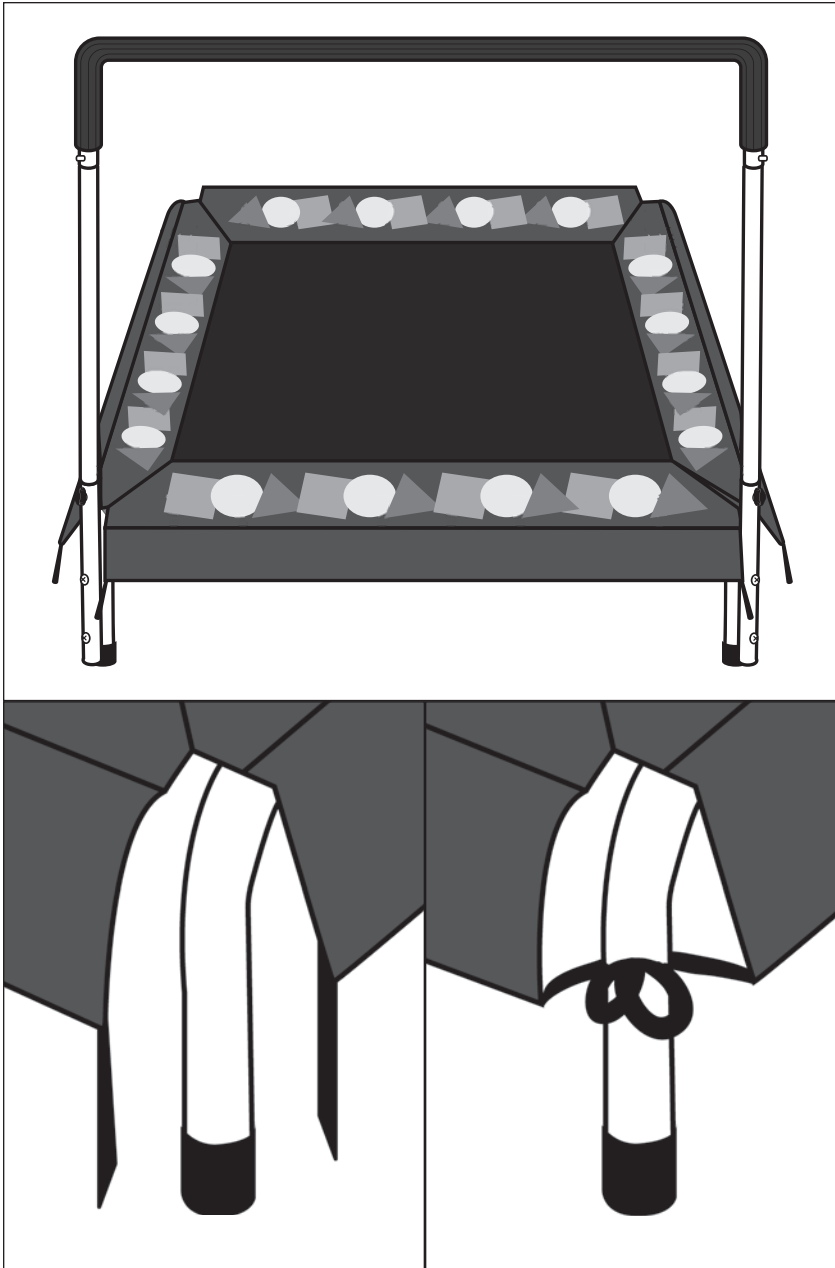
Parts:

Part 5 (x1) - Frame Pad

Place the Frame Pad (5) on top of the Jump Mat. Make sure to stretch the skirt of the Mat to cover the springs.

The Loop strings must be placed between each Handle Uprights in order to be tightened together.

ASSEMBLY INSTRUCTIONS



STEP 11:

Tighten the loop strings onto all the legs of trampoline to secure the Frame Pad, and to avoid it from shifting.

