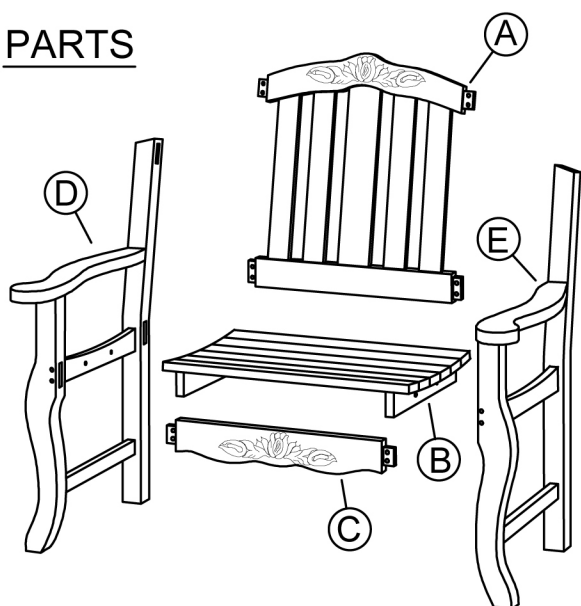


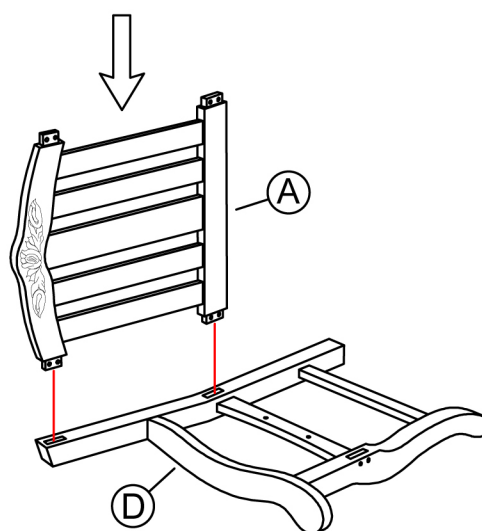
# Teakwood Tulip Armchair (TK8214)

## Assembly Instructions

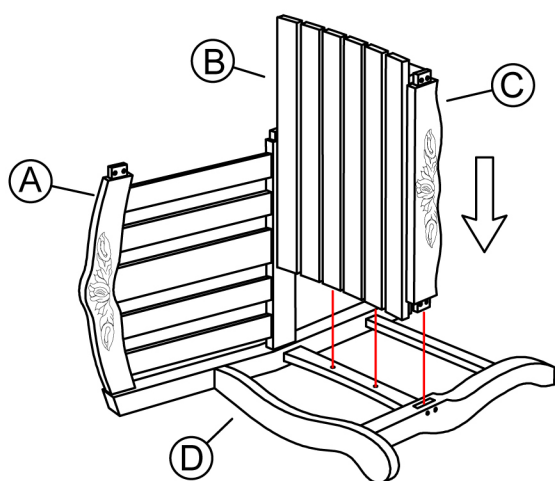
### PARTS



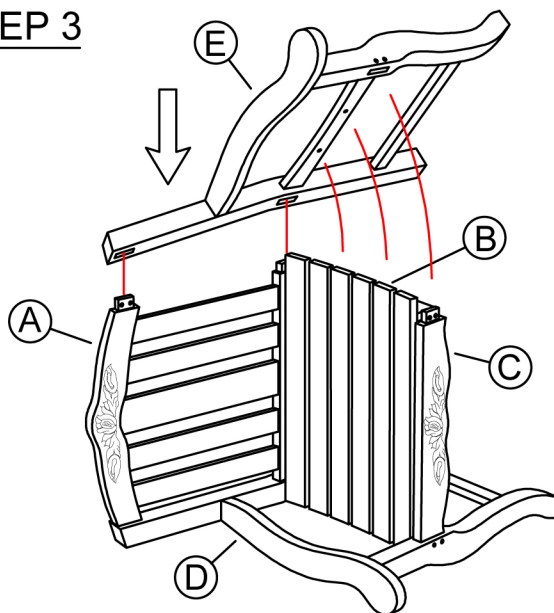
### STEP 1



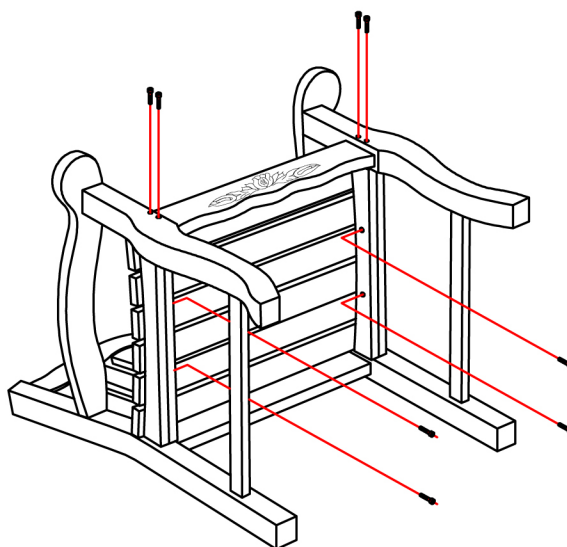
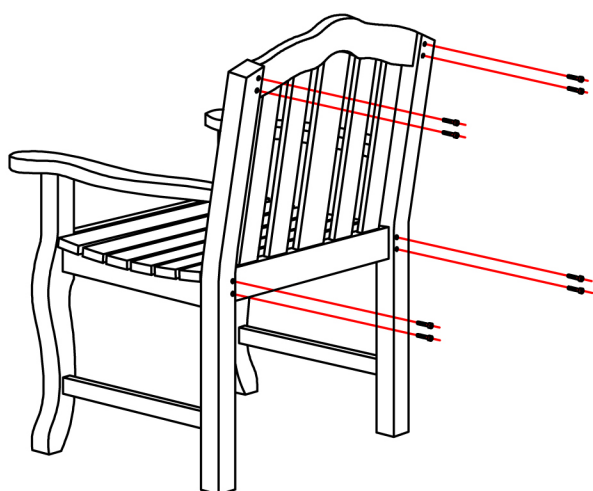
### STEP 2



### STEP 3



### STEP 4



## Teakwood Tulip Armchair (TK8214) Assembly Instructions

### **Parts & Hardware:**

<b>A.</b>	Backrest ( 1 piece )	<b>F.</b>	Screw ( 4 pieces + 2 pieces extra )
<b>B.</b>	Seat ( 1 piece )	<b>G.</b>	Dowel ( 12 pieces + 2 pieces extra )
<b>C.</b>	Front stretcher ( 1 piece )	<b>H.</b>	Sand paper ( 1 piece )
<b>D.</b>	Armrest - left ( 1 piece )	<b>I.</b>	Glue ( 1 bottle )
<b>E.</b>	Armrest - right ( 1 piece )		

Dear Customer:

Please carefully check the parts on your Royal Teak Armchair. If you find a defective part, please contact us at Tel: 1-866-782-6688 or email us at [info@lanzaproducts.com](mailto:info@lanzaproducts.com).

### **Assembly Instructions:**

**NOTE:** Apply wood glue to mortise and joints before feeding each joints. If joint fit is too tight, sand it until easy fit is achieved. Dip wood dowel in glue bottle before inserting into the pre-drill hole.

**DO NOT FORCE!**

Unpack and lay parts on clean flat soft surface, to avoid marring wood.

Step 1. Lay chair armrest (D) flat with the mortise join side up. Fit tenons of backrest (A).

Step 2. With the chair still on its side, fit chair seat (B) to the backrest (A). Fit right tenon of front stretcher (C).

Step 3. Align mortise joint of chair armrest (E) with tenons of completed assemblage and secure. Using rubber hammer, drive all tenons and mortise joints together until a light fit is achieved. Please refer to the diagram.

Lay down the whole chair to tighten the seat (B) to both armrests (D) & (E) by screws using enclosed screws (F). Insert the wooden dowel into the 8 mm hole to lock the tenons. (Dip the tip of wooden dowel into PVAC glue before inserting into the hole). Cut the wooden dowel that is left over the depth of the hole with chisel and flush with sand paper.

### **Care Suggestions & Recommendations:**

1. To maintain the natural golden brown color of your teak furniture, apply teak oil every 6 months (or follow the directions on teak oil container, not included). This method requires some maintenance for upkeep such as sanding & reapplication of teak oil. Using teak oil does not prolong the life of teak, it simply maintains color. Teakwood, when left bare, will fade to a natural silver gray color.
2. Do not leave your teak furniture in puddles of water or on wet ground.
3. Cover your teak furniture during the winter months or move indoor if in northern climates.

The timber used in making this product is cultivated under strict governmental regulations to ensure reforestation and protection of forests vital to our ecosystem