

Dualit Design Series Toasters 110V US

Dualit®

Since 1945

Instruction manual



2-Slot



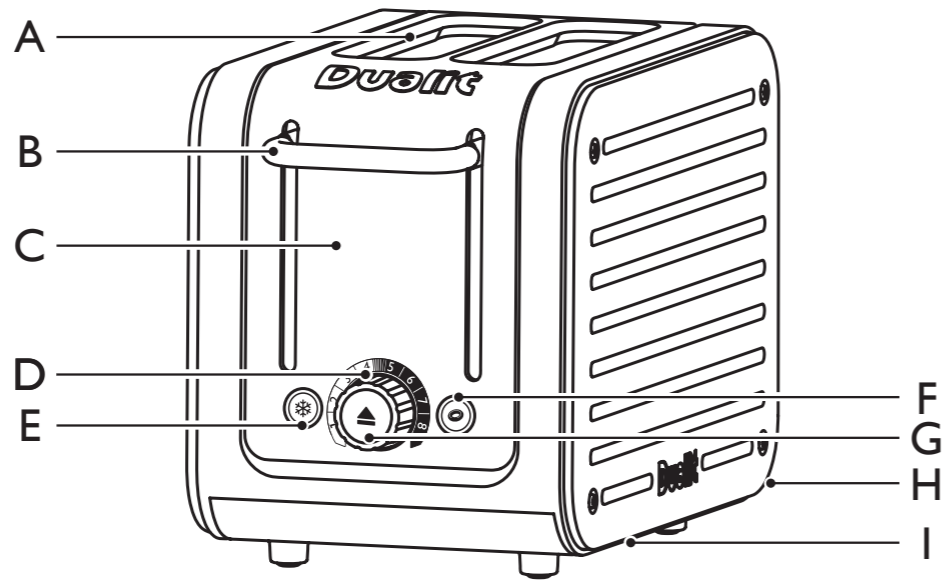
4-Slot



You may also like the matching Architect Kettle

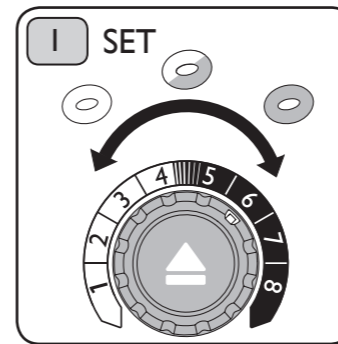
KNOW YOUR TOASTER

- A. WIDE SLOTS
- B. TOASTING LEVER
- C. STAINLESS STEEL COVER
- D. BROWNING CONTROL
- E. DEFROST BUTTON
- F. BAGEL BUTTON
- G. CANCEL BUTTON
- H. CRUMB TRAY
- I. CABLE TIDY

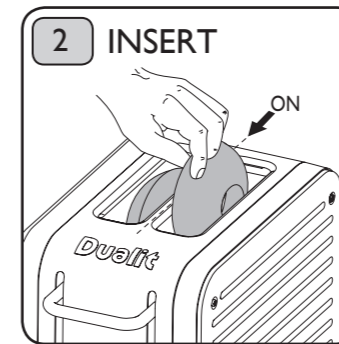


All illustrations are for representation only, your model may vary from illustrations shown.

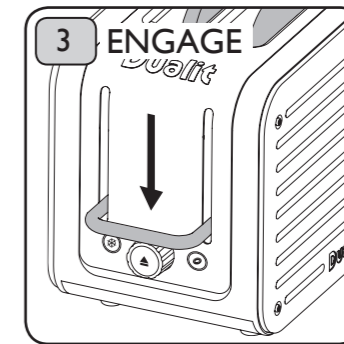
BAGEL & BUN TOASTING



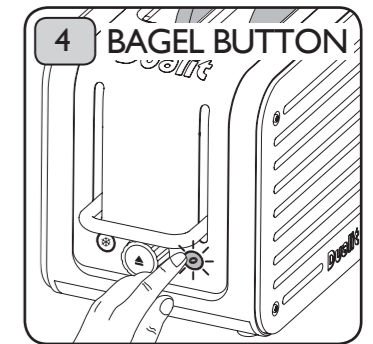
Select the desired browning level. (1 is the lightest and 8 is the darkest setting).



Slice bagel into two equal halves before toasting. Insert bagel so both 'cut' sides are facing inwards to the centre element.

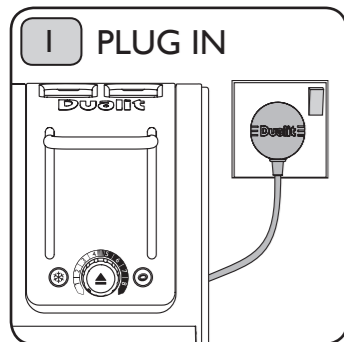


Press the toasting lever down until it engages. The browning control will be illuminated blue.

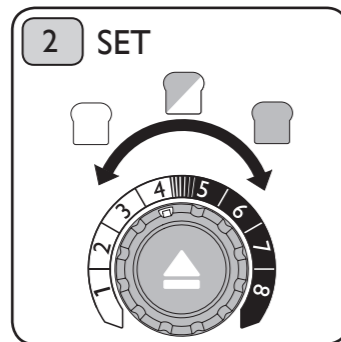


As soon as the bagel is lowered, immediately press the bagel button. The button will be illuminated blue and only the centre element will heat up.

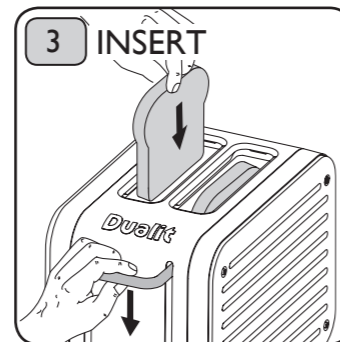
TOASTING BREAD



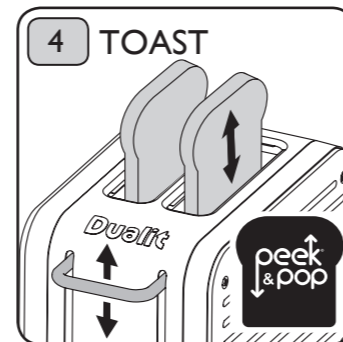
The toaster will only engage when the power is switched on. Plug the toaster into the wall power socket and turn power on at socket.



To toast, set the desired browning level by means of the browning control (1 is the lightest and 8 is the darkest setting).

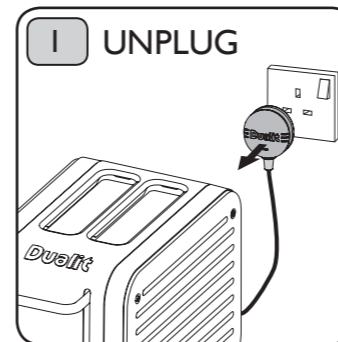


Place the bread into the slots and press the toasting lever down until it engages. The browning control will be illuminated blue for the duration of the toasting.

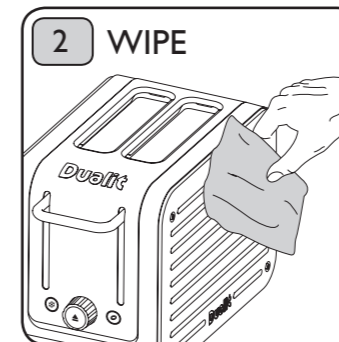


At any time during the toasting cycle you can lift the toasting lever and check the progress of the bread. When toasted the toast will pop up automatically.

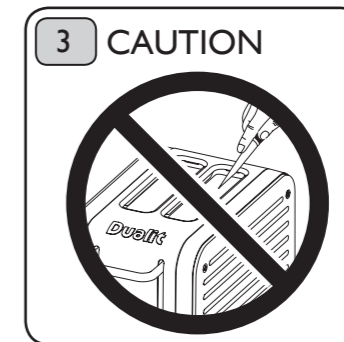
CLEANING & CARE



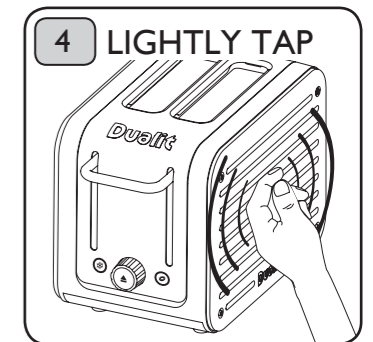
Switch toaster off, remove the plug from the wall socket and let the toaster cool down before you start cleaning it.



Wipe the outside of the toaster with a moist cloth and dry it with another cloth. Do not use scouring pad or abrasive cleaner.

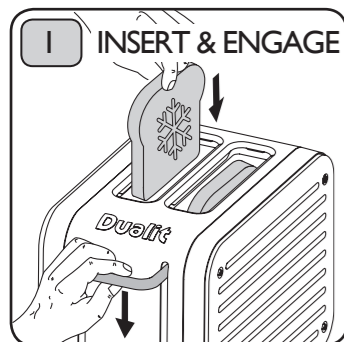


Use a soft brush to clean inside your toaster. Do not insert any metallic or sharp utensils in to the toaster.

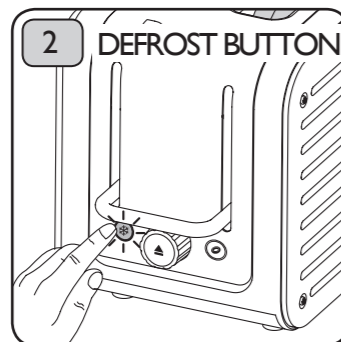


When the toaster has cooled completely, tap the sides of the toaster lightly to dislodge any crumbs caught in the toasting chamber.

DEFROST

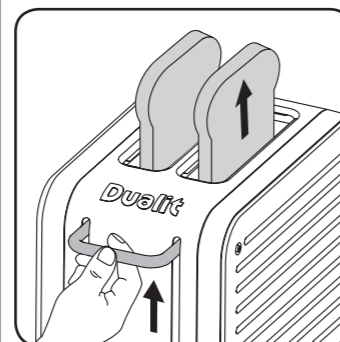


To toast frozen bread, place the bread into the slots and press the toasting lever down until it engages.



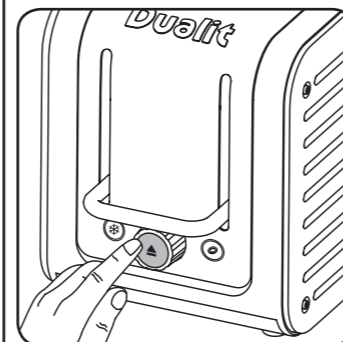
Then immediately press the defrost button. The button will be illuminated blue. To toast frozen bagels or buns, engage the toasting lever then press both defrost and bagel buttons.

HIGH LIFT



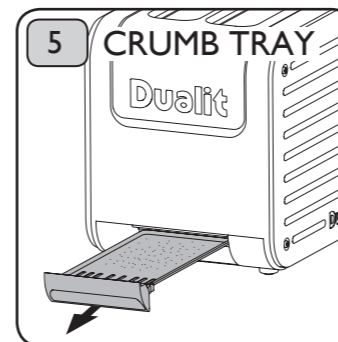
If the slices are difficult to remove safely, lift the toasting lever up for extra high lift.

CANCEL

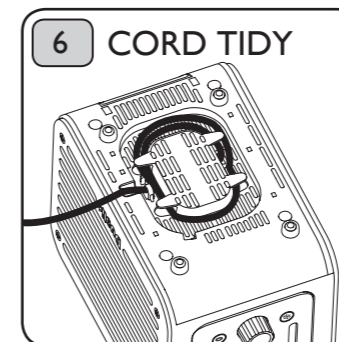


To immediately stop toasting, simply press the cancel button on the end of the browning control knob. Unplug after use.

CLEANING & CARE CONTINUED

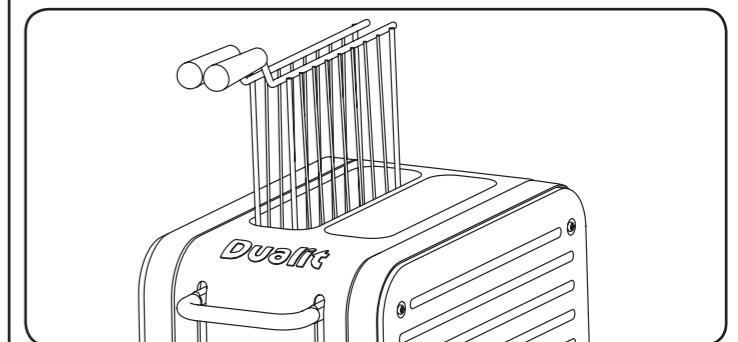


Crumbs will accumulate in the crumb tray and could catch fire if the tray is not emptied frequently. Pull out the crumb tray and wipe clean using a damp cloth.



Store the cleaned toaster unplugged with the cord wrapped round the cord tidy on the base of the toaster.

SANDWICH CAGE OPTIONAL EXTRA



The sandwich cage provides you with the option of making toasted sandwiches in your Architect toaster. It is also useful for toasting smaller items like buns, bagels and teacakes. Each pack includes a free cookbook with a range of ideas for deep filled toasted sandwiches that make good use of the extra-wide slots of your Architect toaster.

AVAILABLE AT: WWW.DUALIT.COM/ARCHITECT



IMPORTANT SAFETY PRECAUTIONS



READ ALL INSTRUCTIONS

BEFORE USING THE TOASTER KEEP THESE INSTRUCTIONS FOR FUTURE REFERENCE

- This appliance can be used by children aged from 8 years and above and persons with reduced physical, sensory or mental capabilities or lack of experience and knowledge if they have been given supervision or instruction concerning use of the appliance in a safe way and understand the hazards involved. Children shall not play with the appliance. Cleaning and user maintenance shall not be made by children without supervision.
- Keep the appliance and its cord out of reach of children less than 8 years
- **WARNING:** This appliance must be earthed
- We recommend that the toaster is plugged into a socket that has no other appliance connected to it. Failure to do this may cause an overload, trip a circuit breaker or blow a fuse.
- Preferably the socket outlet should be protected by a Residual Current device (RCD)
- Before plugging in, check that the voltage on the rating label is the same as the mains supply
- To protect against electric shock, do not immerse any part of this product in water or other liquid
- Unplug from outlet when not in use and before cleaning. Allow to cool before putting on or taking off parts
- Do not operate the appliance with a damaged cord or plug
- Do not allow cable to touch hot surfaces, or to hang over edge of a table or counter top
- When in use a fire may occur if the toaster is covered or touching flammable material
- Do not attempt to dislodge bread when the toaster is plugged in
- Bread may burn. Therefore toasters must not be used near or below curtains and other combustible materials
- When toasting do not leave appliance unattended

THIS IS AN ATTENDED APPLIANCE

- This appliance is intended for household use

only. If the appliance is used improperly or for professional or semi-professional purposes or if it is not used according to these instructions the guarantee becomes invalid and Dualit refuses any liability for damage caused

- Do not store toaster in an appliance garage or cover
- Do not use outdoors
- The toaster is not intended to be operated by means of an external timer or separate remote-control system
- Accessible surfaces of the toaster may get hot during use
- **NOTE:** Any plug cut from power supply cord should be disposed of immediately. Inserting any cut off Plug into a 13A socket-outlet is hazardous
- Never use the plug without the fuse cover fitted. Ensure replacement fuse is the same current value as original
- Replacement fuses should be ASTA approved to BS 1362
- Do not operate any appliance with a damaged lead or plug, or after the appliance malfunctions, or has been damaged in any manner. If the supply cord is damaged, it must be replaced by the manufacturer, its service agent or similarly qualified persons in order to avoid a hazard.
- Never use the toaster without the panels correctly assembled

SAVE THESE INSTRUCTIONS

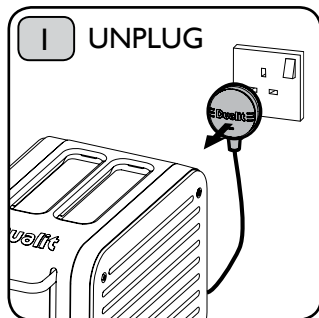
IMPORTANT: BEFORE FIRST USE

In the interest of improving products, Dualit Ltd. reserves the right to change the product specification without prior notice.

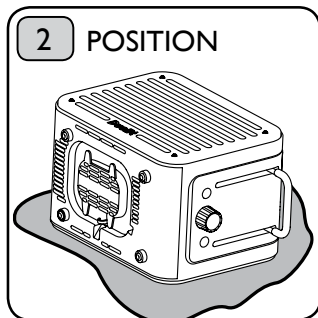
- Read this instruction manual before you start using the toaster. It gives you important safety information and will ensure you get the most out of your Dualit toaster
- Keep this manual and your proof of purchase in a safe place
- Before you use your toaster for the first time, wash all parts according to the cleaning instructions
- Position the toaster according to the safety precautions
- Make sure the toasting lever is in the raised position when you put the plug into the wall socket
- The toasting lever will only engage when the toaster is plugged in with the power on
- The cancel button will illuminate to show that the toaster is heating
- To condition the elements for use, let the toaster complete the first cycle without slices of bread in it
- When you turn the toaster on for the first time, a "new" smell/or smoke may be given off, this will dissipate after a few uses. Clean all parts in contact with food before using for the first time.

Toaster panels

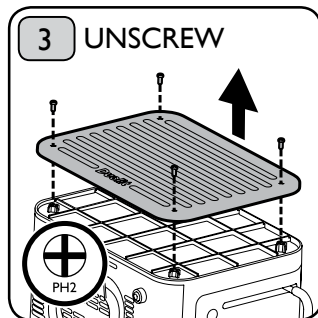
Instruction manual



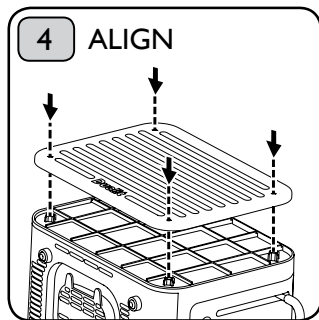
Unplug the toaster and allow to cool to room temperature.



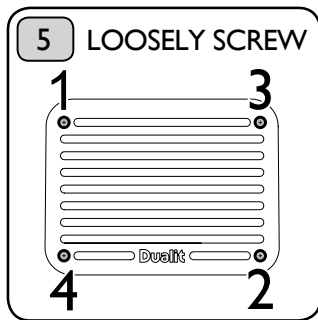
Place the toaster on its side on a soft cloth.



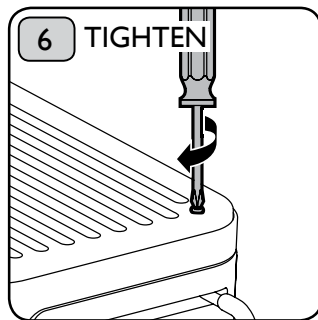
Using a Phillips screw driver (PH2), unscrew and remove panels. NB. Do not operate the toaster with the panels removed



Align the new panel with the screw holes on the body of the toaster.



Loosely screw in order of 1-4.



Tighten in place to secure, using the same order.