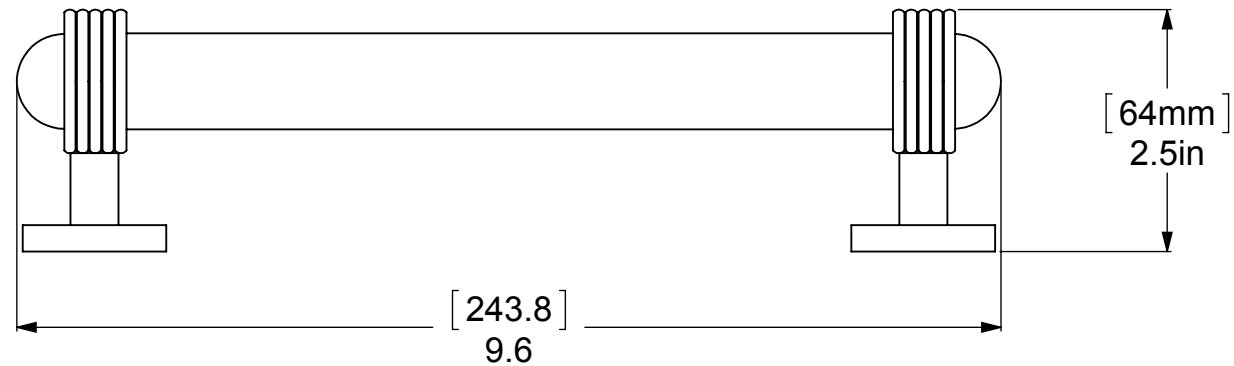
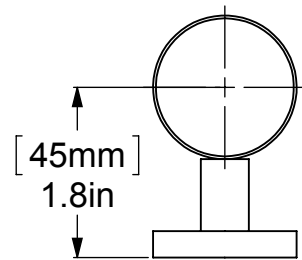
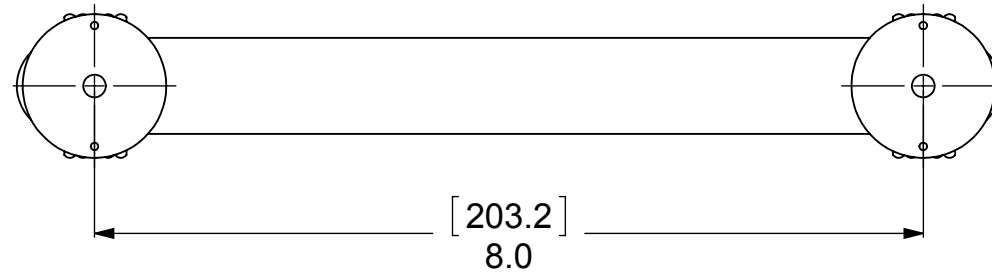
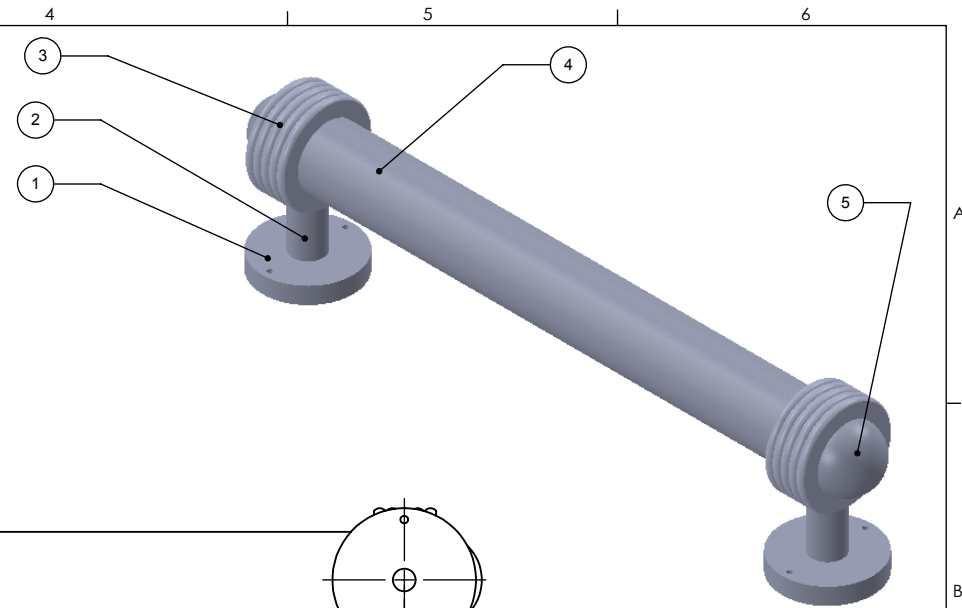


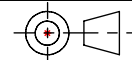
ITEM NO.	PART NUMBER	DESCRIPTION	QTY.
1	LP Casting	BASE	2
2	TU12-0.75	NECK	2
3	RGGVT	CONNECTOR	2
4	TU1-8	TUBE	1
5	CAHR-1	CAP	2




UNLESS OTHERWISE STATED

.X	±.3mm
.XX	±.15mm
.XXX	±.008mm

COPYRIGHT © Allied Brass 2017



THIRD ANGLE PROJECTION

DRAWN	5/13/2017	I.M	MATERIAL:	BRASS		FINISH	TBD	
CHECKED	5/13/2017	P.D	DESCRIPTION:	8 Inch Door Pull		QUANTITY	TBD	
APPROVED	5/13/2017	R.A			DRAWING No.		REV	
					402AG		0	
			SCALE	1:2	SHEET: 01	A4		