

**OWNER'S INSTRUCTIONS MANUAL**

**Gas Fire Table**

**User's Guide and Instruction Manual**

**SL-FT-2-BLK  
SL-FT-2-GRY**



## **LIMITATION OF WARRANTY AND LIABILITY**

**NOTICE: Read this Limitation of Warranty and Liability Before Using This Product. If the Terms Are Not Acceptable, Return the Product at Once, Unopened, and the Purchase Price Will Be Refunded.**







**It is impossible to eliminate all risks associated with the use of this product. Such risks arise from weather conditions, the manner of use or application, or other unknown factors, all of which are beyond the control of the Seller and Manufacturer. These risks can cause bodily injury or death, ineffectiveness of the product, and damage to other property. Seller and Manufacturer will not be held liable for such risks. By using this unit you are accepting these risks.**

**Seller and Manufacturer warrant that this product is reasonably fit for the purpose stated in the Owner's Instructions Manual, subject to the inherent risks described above, when used in accordance with the Owner's Instructions Manual under normal conditions.**


**The Seller and Manufacturer will not be held liable for any claims, losses, injuries or damages resulting from the misuse or handling of this product.**

**Any claim by buyer or user of this product shall be filed within one (1) year of the date of injury or damage or the claim will be barred. Buyer and user waive any right to file any class action claim for product defect, design defect, or failure to adequately warn of product hazards or safe installation.**

**This Limitation of Warranty and Liability may not be amended by any oral or written agreement.**

 <b>WARNING</b>	<b>FOR OUTDOOR USE ONLY !</b>
 <b>DANGER</b>	<b>If you smell gas and/or hear a gas hissing sound:</b> <b>1.Immediately, SHUT OFF gas to the appliance.</b> <b>2.Extinguish ALL open flames.</b> <b>3.If odor continues, keep away from the appliance and immediately call your Gas Supplier or Fire Department.</b>
 <b>DANGER</b>	<b>DO NOT store or use gasoline or other flammable vapors and liquids in the vicinity of this unit and or any other appliance.</b> <b>An LP Gas tank not connected for use shall not be stored in the vicinity of this or any other appliance.</b>
 <b>DANGER</b>	<b>Improper installation, adjustment, alteration, service or maintenance can cause injury or damage to property.</b> <b>Read and understand the Owner's Manual thoroughly before installing or servicing this Fire Table.</b> <b>If the information in this Owner's Manual is NOT followed exactly, a fire or explosion may result and cause property damage, personal injury or loss of life.</b>
 <b>DANGER</b>	<b>CARBON MONOXIDE HAZARD.</b>  <b>This appliance can produce carbon monoxide, which is odorless.</b>
	<b>Using it in an enclosed space can kill you.</b>  <b>Never use this appliance in an enclosed space such as inside a camper, tent, car or home.</b>

**Save this Owner's Manual and these instructions for future use.  
If you are assembling this unit for someone else, give this Owner's Manual to them to read.**

Part A.	SAFETY INFORMATION
<p>Before you assemble or operate this unit, please read carefully this entire Owner's Manual. Failure to do so may result in a fire, explosion, injury or death.</p>	
	<p>The installation of this unit must adhere to local codes or either the National Fuel Gas Code, ANSI Z223. 1/NFPA54, ORCAN/CGA-B149.1, National Gas and Propane Installation Code.</p>
<p>• <b>THIS UNIT IS INTENDED FOR OUTDOOR USE ONLY!</b></p> <p>This product shall be used outdoors, in a ventilated space and shall not be used in any enclosed area.</p>	
<p>• <b>This unit is to be used with LP Gas / Propane Gas only !</b>  <u>(Propane Gas tank is not attached and not delivered with this unit. Propane and Gas Tank is sold separately).</u></p>	
<p>• <b>Do not attach a remote gas supply to this unit.</b></p>	
<p>• <b>This unit can be converted to natural gas. Please contact customer service for more information</b></p>	
<p>• <b>Do not use any solid fuel or charcoal for this unit.</b></p>	
<p>• <b>When igniting this unit, exercise caution as some gas pooling from the burner may cause the flame to flare that could cause injury.</b></p>	
<p>• <b>LP GAS WARNING: Lava Rocks/Pumice Stones/ Fire Glass not to exceed 1/4 inch depth above the burner holes. Excessive use of lava rocks/pumice stones/fire glass will suffocate the flame.</b></p> <p>• <b>If the Propane Gas Tank is leaking gas, you can smell, hear a hiss, or sense a leak at the source. Do the following:</b></p> <ol style="list-style-type: none"> <li>1. Disconnect the Propane Gas tank.</li> <li>2. DO NOT attempt to fix the problem yourself.</li> <li>3. Move yourself and all persons away from the immediate area.</li> <li>4. Only when everyone is at a safe distance away from the Fire Table, contact your Gas Supplier or Fire Department for help.</li> </ol>	
<p>• <b>Applying too much Propane Gas may result in a pooling effect and will NOT burn. Allow fresh air into the unit so that the remaining gas may escape.</b></p>	
<p>• <b>DO NOT use a flame to check for gas leaks.</b></p>	
<p>• <b>The maximum inlet supply pressure: maximum Gas supply 11" w.c. (2.74kPa)</b></p>	
<p>• <b>Use LP propane tanks with the following dimensions: diameter 12", height 18"- capacity 20lbs.</b></p>	
<p>• <b>You must use a Propane Gas Tank that has a collar to protect the Gas Valve.</b></p>	

<ul style="list-style-type: none"> <li>• <b>DO NOT</b> fill tank over <u>80% full</u>.</li> </ul>
<ul style="list-style-type: none"> <li>• The tank system must be set up for vapor with drawal.</li> </ul>
<ul style="list-style-type: none"> <li>• <u>STOP</u> using if any part of the Propane Gas Tank is damaged. Rust and dents in tank may be hazardous and should be inspected by a Gas Supplier.</li> </ul>
<ul style="list-style-type: none"> <li>• <b>DO NOT</b> burn anything other than the provided materials for this Fire Table.</li> </ul>
<ul style="list-style-type: none"> <li>• <b>Keep away from the unit for the first 20 minutes after igniting your unit for the first time, as lava rocks/pumice stones/fire glass could pop out and cause injury. Should any rocks pop out, discard them.</b></li> </ul>
<ul style="list-style-type: none"> <li>• Always ensure that lava rocks/pumice stones/fire glass are completely dry before use. Failure to do so will cause them to crack or pop.</li> </ul>
<ul style="list-style-type: none"> <li>• <b>DO NOT</b> operate unit until all parts are fully assembled.</li> </ul>
<ul style="list-style-type: none"> <li>• <b>DO NOT</b> paint or color any part of this Fire Table.</li> </ul>
<ul style="list-style-type: none"> <li>• Unit may be hot while in use, <b>DO NOT</b> attempt to move it while in use.</li> </ul>
<ul style="list-style-type: none"> <li>• <b>Never</b> leave this Fire Table unattended while in use.</li> </ul>
<ul style="list-style-type: none"> <li>• <u>This unit is NOT intended for cooking.</u></li> </ul>
<ul style="list-style-type: none"> <li>• <b>Keep all flammable items away and DO NOT</b> use any other Fire Table cover for this unit.</li> </ul>
<ul style="list-style-type: none"> <li>• <b>Keep a safe distance to avoid burning skin or clothing.</b></li> </ul>
<ul style="list-style-type: none"> <li>• <b>DO NOT</b> sit or rest hands or feet on this Fire Table.</li> </ul>
<ul style="list-style-type: none"> <li>• <b>Never</b> place hands or fingers onto upper portion of this unit while in use.</li> </ul>
<ul style="list-style-type: none"> <li>• <b>Keep all electrical cords and fuel supply hose away from heated surfaces.</b></li> </ul>
<ul style="list-style-type: none"> <li>• <b>Combustible material should NOT be within 72 inches of the top of the unit, and within 48 inches around the entire unit. Combustible materials could be and are not limited to any items that may catch fire such as dry vegetation, wood, branches, leaves, plants, buildings, structures, fabrics, clothing, sawdust, all chemicals, and all flammable liquids.</b></li> </ul>
<p>The diagram illustrates the required minimum clearance for the fire table. It shows a central rectangular fire table filled with lava rocks. Four arrows point outwards from the table, indicating the clearance requirements: upwards, downwards, to the left, and to the right. Each arrow is labeled 'Min. Clearance 48 in (121.9 cm)'.</p>

<ul style="list-style-type: none"> <li>• Keep the appliance area clear and free from combustible material, gasoline and other flammable vapors and liquids.</li> </ul>
<ul style="list-style-type: none"> <li>• If the flame goes out while burning, turn the gas valve off. Wait 5 minutes before repeating the initial lighting procedure. Once you have a flame started, hold down the control knob for 1 minute.</li> </ul>
<ul style="list-style-type: none"> <li>• DO NOT add water into the unit.</li> </ul>
<ul style="list-style-type: none"> <li>• DO NOT operate unit if any part has been under water. Immediately call for a <u>Qualified Service Technician</u> to inspect the appliance. Where necessary, secure Qualified Service Technician to replace part(s) of the Control System and any gas control parts that has been under water.</li> </ul>
<ul style="list-style-type: none"> <li>• DO NOT disconnect any part while the unit is in use.</li> </ul>
<ul style="list-style-type: none"> <li>• DO NOT store a spare Propane Gas Tank on or near this unit.</li> </ul>
<ul style="list-style-type: none"> <li>• This unit is for outdoor use ONLY.</li> </ul>
<ul style="list-style-type: none"> <li>• DO NOT operate on a boat or vehicle. This unit can only be used on any stationary outdoor flat surface ONLY.</li> </ul>
<ul style="list-style-type: none"> <li>• Always remove protective cover before operating (where applicable) and/or use of your Fire Table.</li> </ul>
<ul style="list-style-type: none"> <li>• DO NOT set the Protective Cover (E) over the unit until the Fire Table is turned off and completely cooled down (where applicable).</li> </ul>
<ul style="list-style-type: none"> <li>• Check for leaks after not using the unit for long periods of time.</li> </ul>
<ul style="list-style-type: none"> <li>• Children must never operate this FireTable. Children must be supervised AT ALL TIMES while near this Fire Table.</li> </ul>
<ul style="list-style-type: none"> <li>• The maximum gas supply pressure is <u>250 psi</u>.</li> </ul>
<ul style="list-style-type: none"> <li>• All installation and repair should be done by a <u>Qualified Service Technician</u>. This unit should be inspected annually and cleaned regularly.</li> </ul>
<ul style="list-style-type: none"> <li>• Inspect all elements of this Fire Table before each use. If there is damage, the burner must be replaced.</li> </ul>
<ul style="list-style-type: none"> <li>• Be aware of the hazards of high temperatures and stay away from the unit to avoid any burns or injury.</li> </ul>
<p>•The gas supply tank should be constructed and marked with the specifications for the LP Gas tanks of the U.S Department of Transportation or the National Standard of Canada CAN/ CSA-B339, LP Gas tanks, spheres and tubes for Transportation of Dangerous Goods and Commission.</p>
<ul style="list-style-type: none"> <li>• The LP Gas tank must have a listed over filling prevention device and a QCCI or Type I, LP Gas tank connection.</li> </ul>

• Children and adults should be alerted to the hazards of high surface temperatures and should stay away to avoid burns or clothing ignition.

• Young children **MUST BE** carefully supervised at all times when they are in the area of this appliance.

• Clothing or other flammable materials shall **NOT** be hung from the appliance or placed on or near the appliance.

• Any guard or other protective device removed for servicing the appliance shall be replaced prior to operating and use of this appliance.

• Installation and repair(s) should be done by a Qualified Service Technician.

The appliance should be inspected before use. If you suspect there are issues, contact a Qualified Service person.

More frequent cleaning may be required as necessary. It is imperative that the control compartment, burners and circulating airways of the appliance are kept clean.

**When APPLICABLE:**

• Keep gas tank at least 5 feet away from unit when lit (if it is an external tank).

• Allow Fire Burner to cool down completely before placing lid.

• Keep the hose away from any pathways to eliminate any accidental damage(if it is an external tank).

Use only the Regulator and Hose assembly provided with this unit.

Replacement parts must be supplied directly by manufacturer.

Inspect the Burner before use of this unit.

If the Burner shows any kind of damage, **DO NOT** attempt to operate the appliance.

For assistance with repair or replacement of the burner or anyother parts, call toll free at 1-844-826-1594; Monday-Friday, 8am-5pm PST or email [customerservice@livingsourceintl.com](mailto:customerservice@livingsourceintl.com)

**NOTE:** You must follow all steps to properly assemble this Fire Table.

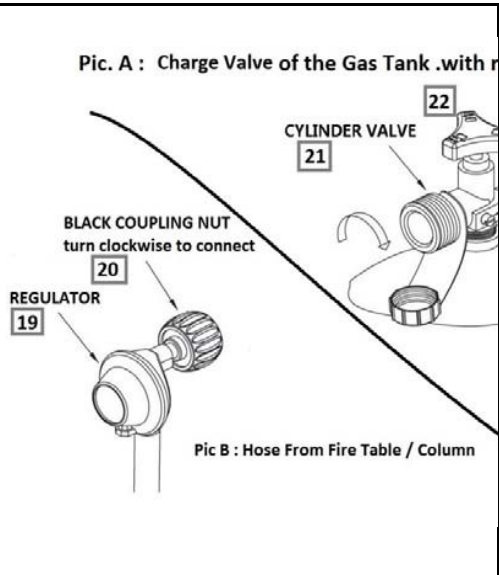
Make sure the Gas Valve is turned "OFF" before assembling. **DO NOT** attempt to assemble without proper tools.

**Part B. User's Guide to Parts and Accessories of The Regulator, Charge Valve of the Cylinder and Steps to Connecting the Gas Tank to the Fire Table.**

This Safety Information section contains information concerning:  
 1)The Regulator (pre-connected to the Fire Table).  
 2)The Charge Valve of the Gas Tank and its relevant Valves.

**Note:** There are Fire Tables that hold the Gas Tank INTERNALLY and EXTERNALLY.

The Owner/User must know all the different parts: Charge Valves and Regulator.  
 This picture shows different parts of the Charge Valve of the Gas Tank and the Regulator(12/19) is pre-connected to the Fire Table. The different components and parts of the Gas Tank and the Fire Table Regulator, as shown in the diagram below.



**Pic. A:** Shows the Charge Valve of the Cylinder with the different Valves and Coupling Nut, these form the top of the Gas Cylinder.

**Pic. B:** Shows the Regular pre-connected to a hose. This Regulator is pre-connected to the Fire Table.

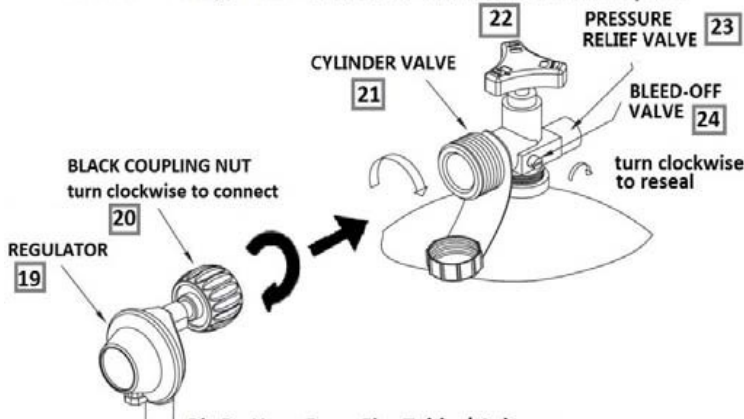


**Part C.**

**Connecting the Fire Table to the Gas Cylinder.**

This next step guides you to connect the Fire Table Regulator to the Gas Cylinder.

Pic. A : Charge Valve of the Gas Tank .with relevant parts



**Step1: Connect the Black Coupling Nut on the Regulator to the Cylinder Valve.**

**Step2: Turn the Black Coupling Nut, fully CLOCKWISE until fully locked into position.**

**Step 3: In order to Check for Leaks: Brush soap and water mixture on all connections.**

**Note: Turn the gas supply on. If any extra large bubbles form on any connection there may be a leak. If you smell gas or a leak is discovered, IMMEDIATELY turn the gas valve off, disconnect Propane Gas tank. Do not use the appliance until the leak is repaired.**

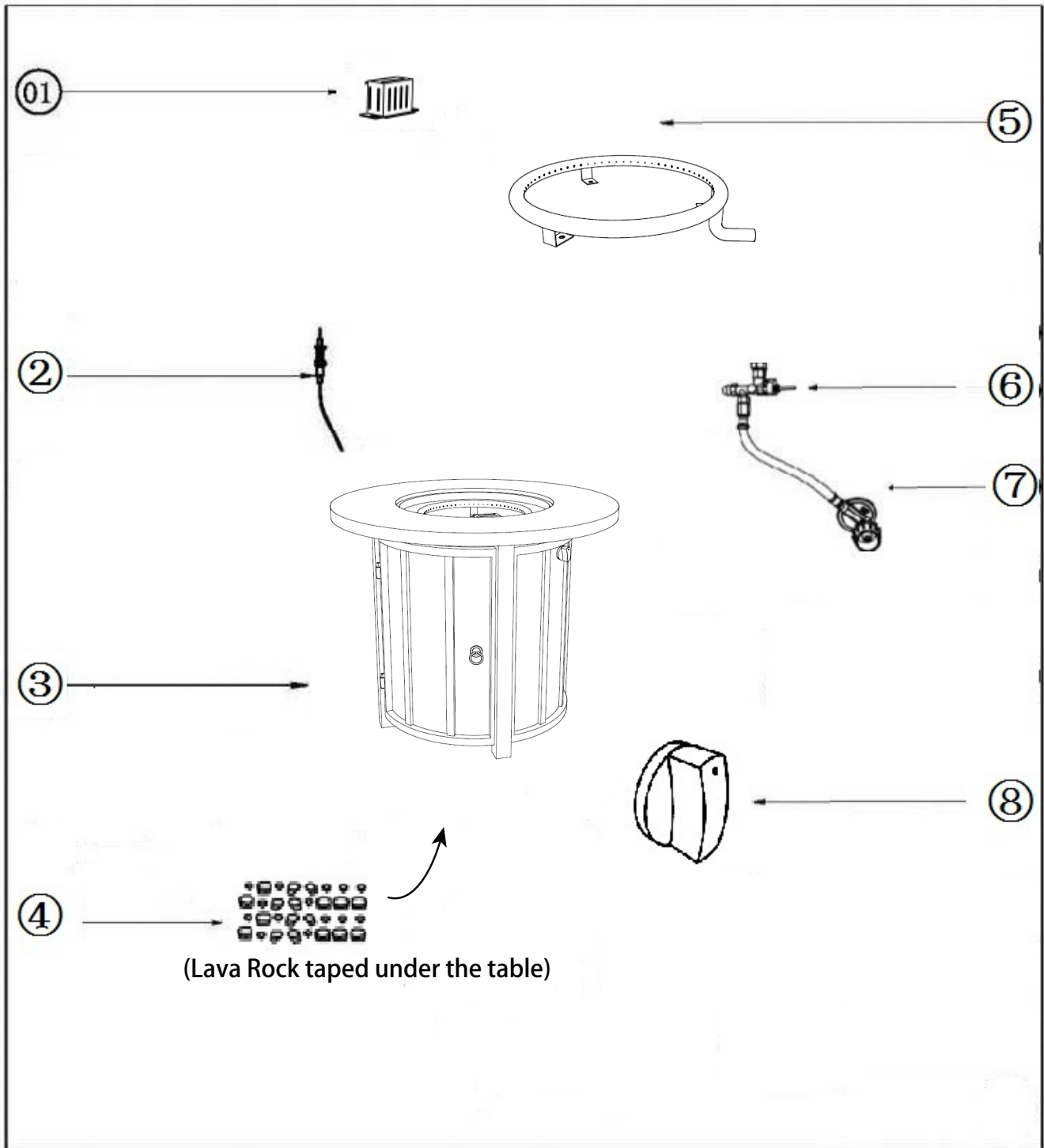
**Part D.**

**FIRE TABLE PARTS INTRODUCTION**


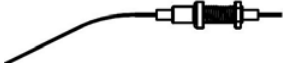


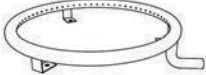
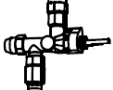


Here is an introduction to all the parts that forms your Fire Table.  
Each part is different and holds its own function.

**DO NOT** attempt to change and or remove any part(s). In the event of servicing and/or if there are operation issues, contact Qualified Services Technical Support and or seek Qualified Service Technician.

The reference words below demonstrate the internal components of the burner.



For your convenience all of the above components are individually described on the following page.

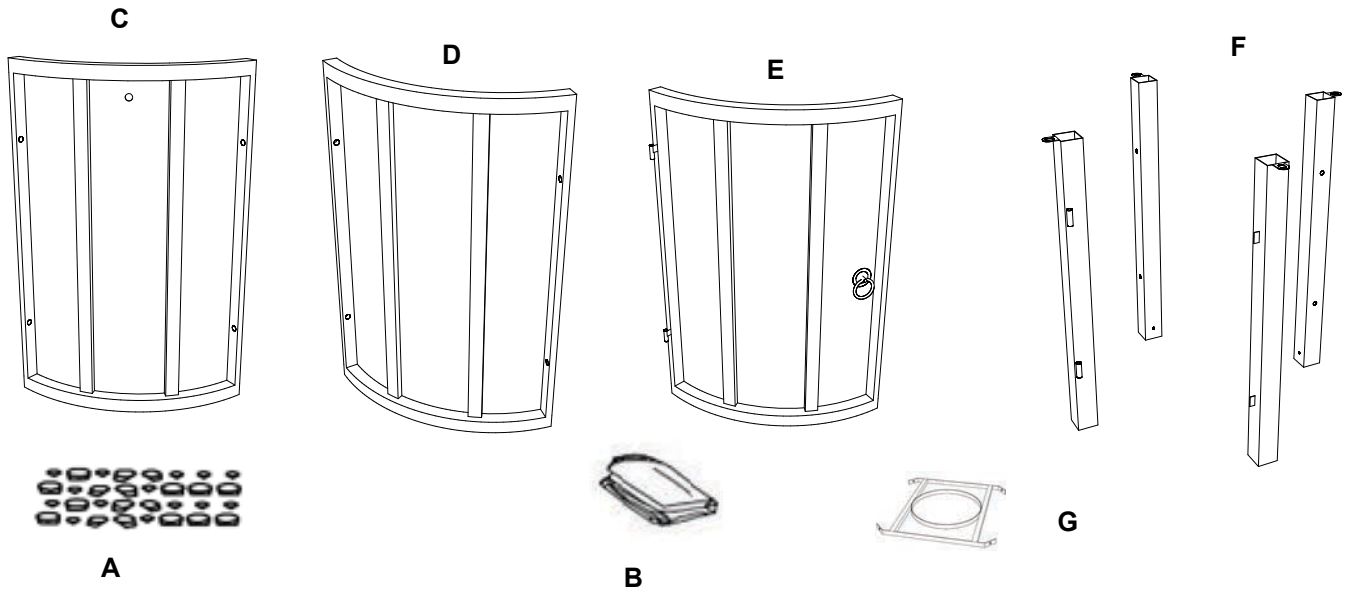
Item	Picture	Description	Qty
01		Guard	1
02		IgnitionPin	1
03		Main Frame of Fire Table	1
04		LavaRock	1
05		Burner	1
06		SwitchingValve	1
07		Regulator Valve with Gas Hose	1
08		Control Knob	1







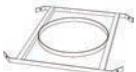
<b>Part E.</b>	<b>Parts and Accessories of Fire Table</b>
----------------	--

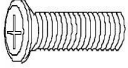


Here is the User's Guide to various Parts and Accessories to form your complete Fire Table.

Before you start to assemble this product, make sure all parts are present.  
 Compare parts with package contents list.  
 If any parts are missing or damaged, DO NOT attempt to assemble the product.

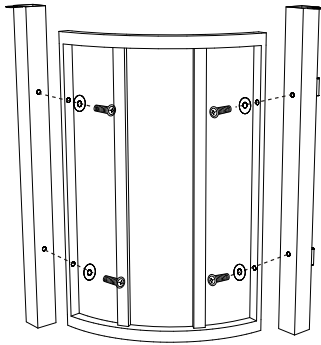
**Before Beginning Assembly:**



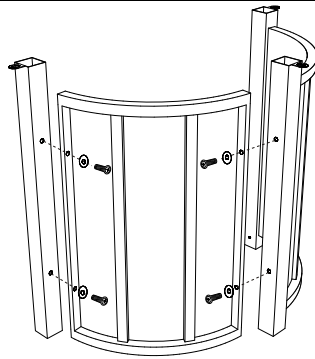
Part F.	Contents :		
Item	Picture	Description	Qty
A		Lava Rocks	1 Box
B		PVC Cover	1 pc
C		Panel D	1 pc
D		Panel E	2 pc
E		Panel with Door	1 pc
F		Steel foot	4 pc
G		Gas tank holder	1 pc

Part G.	Hardware		
Item	Picture	Description	Qty
①		Bolt (M6*20MM)	20
②		M6 Washer	20
③		Screwdriver	1

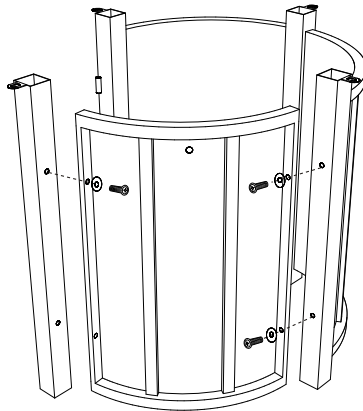
## Part H. ASSEMBLY INSTRUCTIONS



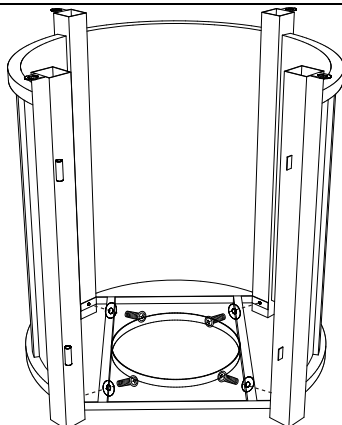
1. Attach panel (D) and steel foot (F) together using 4pcs of Bolts (1) and 4pcs M6 Washer (2) with Screwdriver (3). Do not fully tighten.



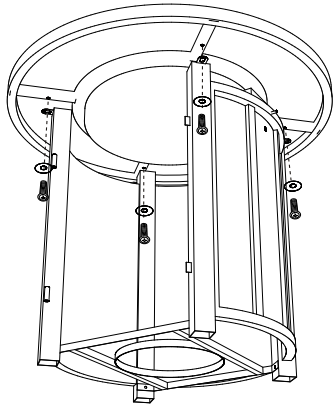
2. Attach the other panel (D) and steel foot (F) together using 4pcs of Bolts (1) and 4pcs M6 Washer (2) with Screwdriver (3). Do not fully tighten.



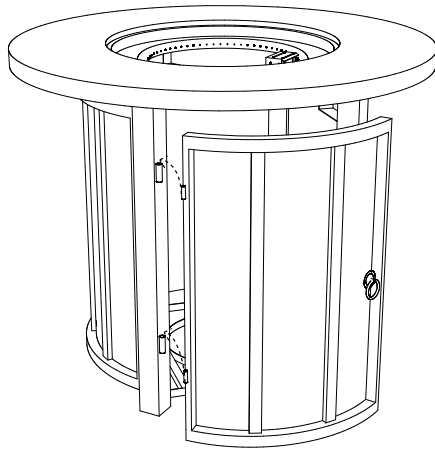
3. Attach panel (C) and steel foot (F) together using 4pcs of Bolts (1) and 4pcs M6 Washer (2) with Screwdriver (3). **Do not fully tighten.**



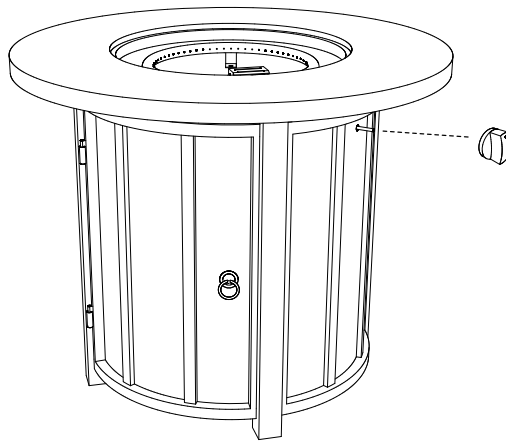
4. Attach gas tank holder (G) at the bottom using 4pcs Bolts(01) and 4pcs M6 Washer (02) with Screwdriver(03). Do not fully tighten.



5. Put the metal base on the bottom of top using 4pcs of Bolts (1) and 4pcs M6 Washer (2) with Screwdriver (3). make sure the panel (C) face the valve rod. Tighten the Bolts.



6. Hang the panel with door (E) on the steel foot.



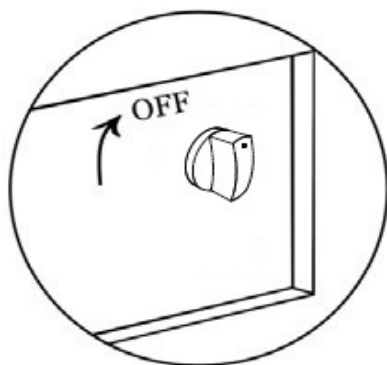
7. Put the control knob on the valve rod.



8. Turn over the Gas Fire Pit

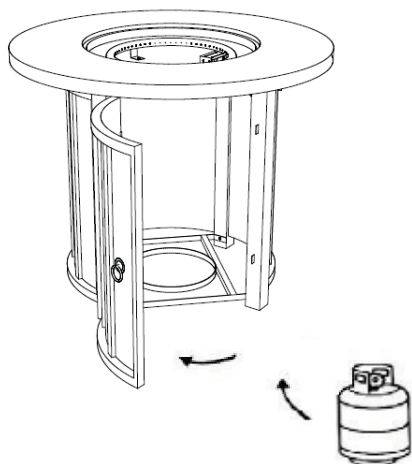
Below are the basic steps to help you light and use your Fire Table / Column.

## STEP 1



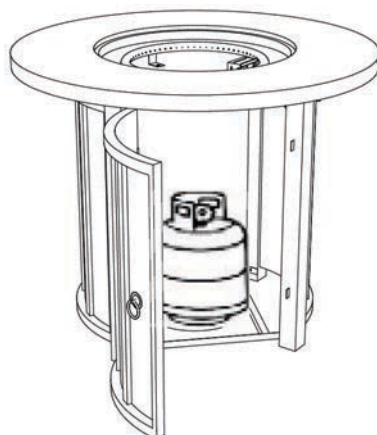
1. Check that the Control Knob (13) for the gas supply system is turned to the "OFF" position before starting any assembly.

## STEP 2



2. Open the Door (C) from the Fire Table / Column (C).

## STEP 3



3. Place 20 lb. Propane Gas Tank (not included) into the Metal Stand (18).  
Make sure the Propane Gas Tank is placed completely into the Metal Stand (18 ).  
Turn the preassembled Wing Screw (17) in a clockwise direction in to the Nut (17) to secure the Propane Gas Tank tightly.



**STEP 7**

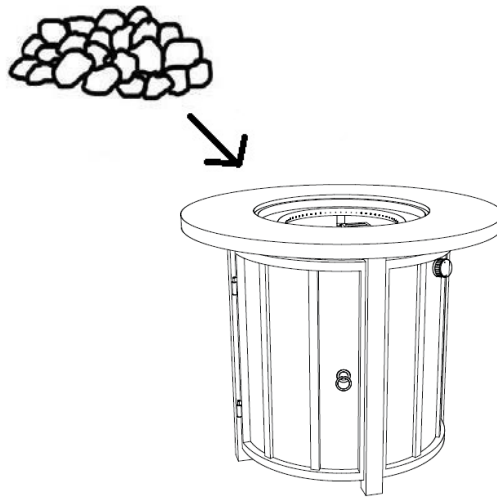


**Subject to your preference, you may pour Lava Rocks / Pumice stones over the Burer Ring. The Guard MUST NOT BE BLOCKED. Refer to guidance below :**

**Note : Do not place more than 1/4 inch depth of lava rocks above the burner holes. Doing so will suffocate the flame.**

**Note : Do not place more than 3KG of lava rocks above the burner holes. Doing so will suffocate the flame.**

**STEP 5**



Subject to your preference, you may pour Lava Rocks over the Burner Ring.

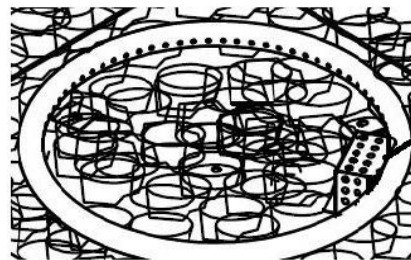
The Guard **MUST NOT BE BLOCKED**. Refer to guidance below:

**Do not** place more than 1/4 inch depth of lava rocks above the burner holes. Doing so will suffocate the flame. **Do not** place more than 3KG of lava rocks above the burner holes. Doing so will suffocate the flame.

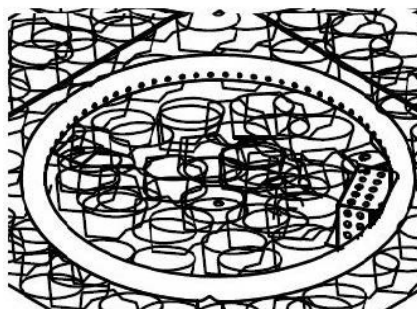
**WARNING** : Fire Table and LP-Cylinder must be at a minimum of 60 inches apart.



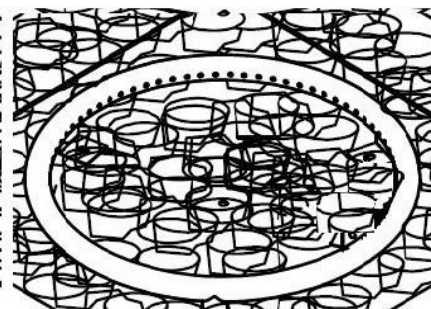
**WARNING**



Guard  
DO NOT PLACE LAVA ROCKS ON THE GURARD.KEEP GUARD CLEAR.



CORRECT



INCORRECT

To ensure proper function,the Guard (01) on the Burner (08) should never have lava rocks (A) covered over it.

<b>Part J.</b>	<b>SAFETY INFORMATION : SHUTTING DOWN YOUR FIRE TABLE /COLUMN</b>
----------------	---

To Shut Down your Fire Table, please do the following:

1. Turn Control Knob(13) clockwise to the "OFF" position.

2. Close the Cylinder Valve(21)on the Propane Gas tank if you DO NOT intend to use it for a long time.

<b>Part K.</b>	<b>MAINTENANCE- FIRE TABLE</b>
----------------	--------------------------------

- Before performing any maintenance work, ensure the Control Knob(13) is in the "OFF"position and always disconnect Propane Gas tank.
- Keep the Fire Table free and clear from all combustible materials.
- Visually inspect Burner(08) for obstructions and keep tank enclosure free and clear from debris.
- Use a soft brush to get rid of the mild stains, loose dirt and soil after the burner and pumice stones/lava rocks are completely cooled down.  
Wipe down with a soft cloth.
- Harsh weather conditions may cause stubborn stains, discoloration and possibly rust pitting.
- If storing this unit inside, disconnect the Propane Gas tank from the Gas Valve(22).  
Leave the gas tank outside of your premises.
- Not using manufacturer approved or supplied parts/accessories may result in a defective condition and shall void the warranty of this Fire Table
- Before performing any maintenance work, always :
  - 1) Ensure Control Knob(13) is in'OFF' position
  - 2) Disconnect Propane Gas tank
- Keep the Fire Table free and clear from all combustible materials.
- Visually inspect Burner(08) for obstructions and keep tank enclosure free and clear from debris.
- Place lid (if applicable) and Protective Cover(E) on the Fire Table when not in use.

• Our Fire Table material has been sealed with a treatment that prevents staining and moisture absorption, and for product longevity this Fire Table would still require proper care and maintenance to ensure the integrity of the surface.

• Please see below for recommendations on maintaining your Fire Table surface for years of extended use :

• Clean any spills immediately to prevent permanent stains or damage to your Fire Table

Use a dry cloth to absorb liquid spills to keep the liquid from spreading.

To prevent the absorption of any liquid into the surfaces, immediately clean the area(s) affected.

• How to Clean your Fire Table surface(s) :

Mix a mild dish soap into warm clean water, use a soft, clean cloth or sponge.

Then proceed to remove surface dirt, stains or mild spills.

Rinse all soap solution off from the surfaces with a damp cloth.

Dry off completely with a dry cloth to avoid water spots/water marks.

Regularly cleaning the Fire Table surface will aid in a longer lasting product.

• **DO NOT** use petroleum-based or abrasive cleaning products.

**DO NOT** use any harsh brushes/rough sponges when cleaning the Fire Table surface(s).

• **DO NOT** place any food on the surface(s) of the Fire Table.

**DO NOT** eat from the surface(s) of the Fire Table surface.

• Fire Table surface should be covered at all times when not in use.

Cover your product with an outdoor Protective Cover(E) when not in use to protect it from the elements.

Store your product indoors during winter months, leave the gas tank outside.

Avoiding extreme cold temperatures, as extreme cold temperatures may cause cracking of the table top.