



IMPORTANT INFORMATION

CONTACT US

For questions, feel free to contact us by phone or email:

- Phone: 1-(800)-JELD-WEN/1-(800)-535-3936
- Email: customerserviceagents@jeld-wen.com

PRECAUTIONS AND SAFETY

- Read and fully understand ALL manufacturer's instructions before beginning. Failure to follow proper installation and finishing instructions may result in the denial of warranty claims for operational performance problems.
- Do not work alone. Two or more people are required. Use safe lifting techniques.
- Wear protective gear (e.g. safety glasses, gloves, ear protection, etc.).
- Operate hand/power tools safely and follow manufacturer's operating instructions.

- If disturbing existing paint, take proper precautions if lead paint is suspected (commonly used before 1979). Your regional EPA (www.epa.gov/lead) or Consumer Product Safety Commission offices provide information regarding regulations and lead protection.
- **WARNING:** Drilling, sawing, sanding or machining wood products generates wood dust, a substance known to the State of California to cause cancer. Use a respirator or other safeguards to avoid inhaling wood dust.

MATERIALS AND DOOR HANDLING

- Allow doors to acclimate to local conditions for at least 24 hours before finishing.
- Store door in dry, well-ventilated area.
- Do not drag on the floor.
- Protect from exposure to direct sunlight during storage.

IF INJURY OCCURS, IMMEDIATELY SEEK MEDICAL ATTENTION!

MATERIALS AND TOOLS

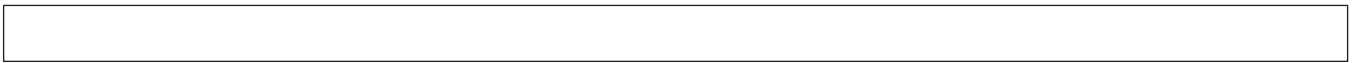
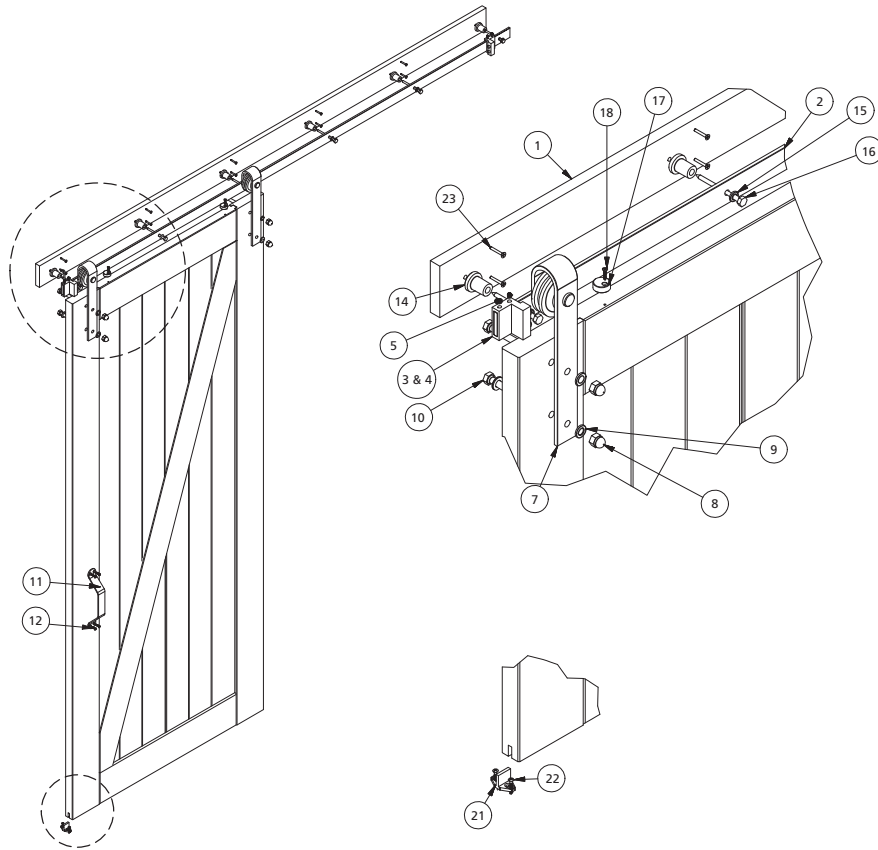
NEEDED MATERIALS

- (1 or 2) Barn Door Kits
- Paint/Stain (Optional)
- Sand Paper (Optional)

NEEDED TOOLS

- Tape measure
- Level
- Speed Square
- Pencil
- Stud Finder
- (2) Clamps
- Cordless Drill
- 1/8" Drill Bit
- 1/4" Drill Bit
- 3/4" Spade Bit
- Phillips Head Screwdriver
- Crescent Wrench or Socket Set

RUSTIC KIT



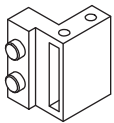
1

BACKER BOARD, 1" x 4" X 84"



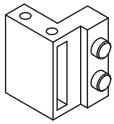
2

TRACK, 84", 16" HOLE SPACING



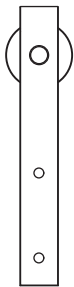
CUSHIONED STOP, LEFT (1X)

3



CUSHIONED STOP, RIGHT (1X)

4



HANGER (2X)

7



CAP NUT (4X)

8



RUSTIC HANDLE (1X)

11



SCREW, #8 X 3/4" (4X)

12



STANDOFF (6X)

14



WASHER, 8mm (6X)

15



ANTI-JUMP DISK (2X)

17



SCREW, #8 X 3/4" (2X)

18



CONNECTOR (1X)

19



SCREW, M6 X 9mm (4X)

20



FLOOR GUIDE (1X)

21



SCREW, ST4.2 X 25mm (2X)

22



LAG, M8 X 90mm (6X)

16



SCREW, #9 X 2-1/2" (10X)

23



SET SCREW, M6 X 3mm (4X)
(PRE-INSTALLED IN CUSHIONED STOPS)

5



WASHER, 10mm (8X)

9



FINGER PULL, (1X)

13



ALLEN WRENCH, 3mm (1X)

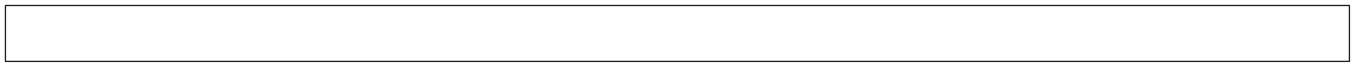
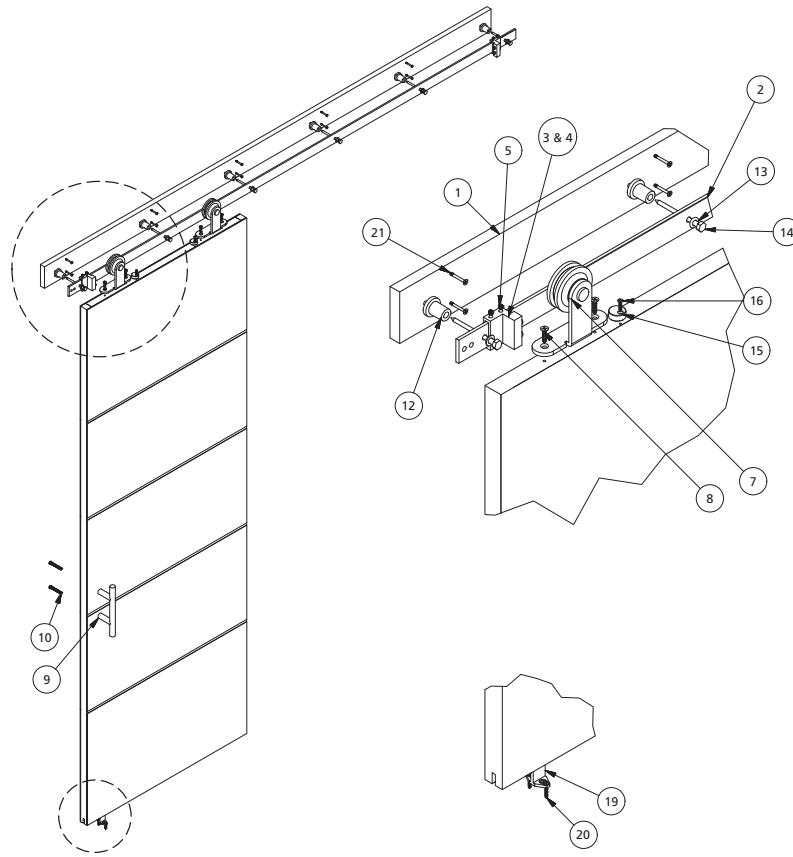
6



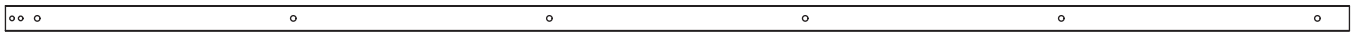
BOLT, M10 X 60mm (4X)

10

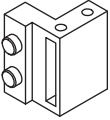
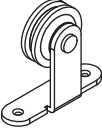





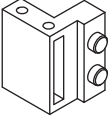











MODERN KIT



1 BACKER BOARD, 1" x 4" X 84"



2 TRACK, 84", 16" HOLE SPACING

- | | | | | | | |
|---|---|---|---|---|---|---|
|  |  |  |  |  |  |  |
| CUSHIONED STOP, LEFT (1X) | HANGER (2X) | MODERN HANDLE (1X) | STANDOFF (6X) | ANTI-JUMP DISK (2X) | CONNECTOR (1X) | FLOOR GUIDE (1X) |
| 3 | 7 | 9 | 12 | 15 | 17 | 19 |
|  |  |  |  |  |  |  |
| CUSHIONED STOP, RIGHT (1X) | SCREW, #14 X 1-1/2" (4X) | SCREW, M6 X 55mm (2X) | WASHER, 8mm (6X) | SCREW, #8 X 3/4" (2X) | SCREW, M6 X 9mm (4X) | SCREW, ST4.2 X 25mm (2X) |
| 4 | 8 | 10 | 13 | 16 | 18 | 20 |
|  |  |  |  | | | |
| SET SCREW, M6 X 3mm (4X)
(PRE-INSTALLED IN CUSHIONED STOPS) | FINGER PULL (1X) | LAG, M8 X 90mm (6X) | SCREW, #9 X 2-1/2" (10X) | | | |
| 5 | 11 | 14 | 21 | | | |
|  | | | | | | |
| ALLEN WRENCH, 3mm (1X) | | | | | | |
| 6 | | | | | | |

STEP 1: DOOR HARDWARE INSTALLATION

The following instructions are written for installation into preexisting passageways and require the use of the included 1" X 4" X 84" backer board. If you choose to install without the backer board, each lag screw must be embedded into a framing member.

RUSTIC KIT

Attach Hangers to front side of door through the pre-drilled holes as shown in Figure 1. Installing Rustic Hangers.

1. Use (4) M10 X 60mm bolts
2. Use (8) 10mm washers at entry and exit points
3. Secure bolts using cap nuts on the exterior surfaces of the hangers

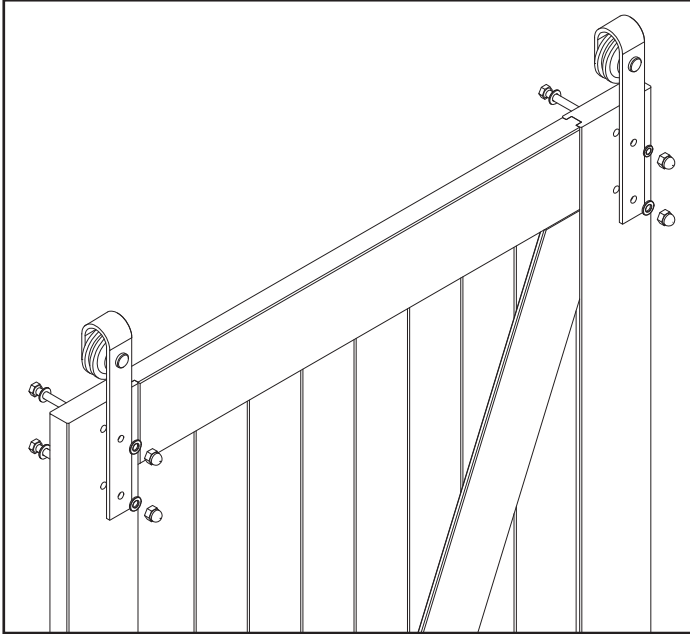


Figure 1. Installing Rustic Hangers

Next, install anti-jump disks onto the top surface of door.

1. Position the center of the disks as seen in Figure 2
2. Place disks at least 7" in from the door's edges
3. Pre-drill holes with 1/8" drill bit, roughly 5/8" deep
4. Secure with (2) #8 X 3/4" wood screws (keep anti-jump disk loose enough for future rotation; to be tightened in step 4)

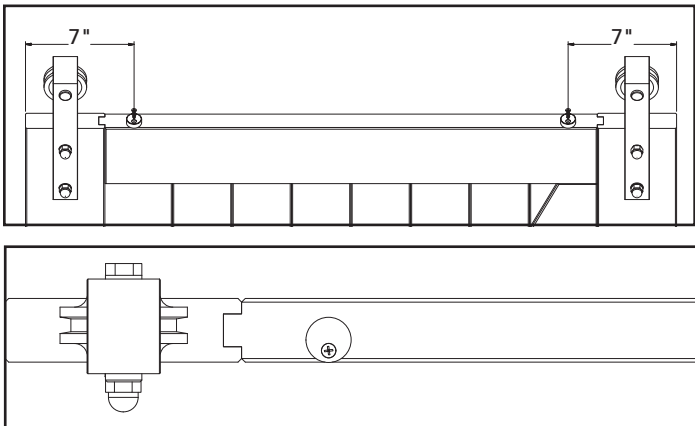


Figure 2. Pre-drilling Anti-Jump Disk

MODERN KIT

Attach hangers to top surface of door through pre-drilled holes as shown in Figure 3. Installing Modern Hangers.

1. Use (4) #14 x 1 1/2" wood screws

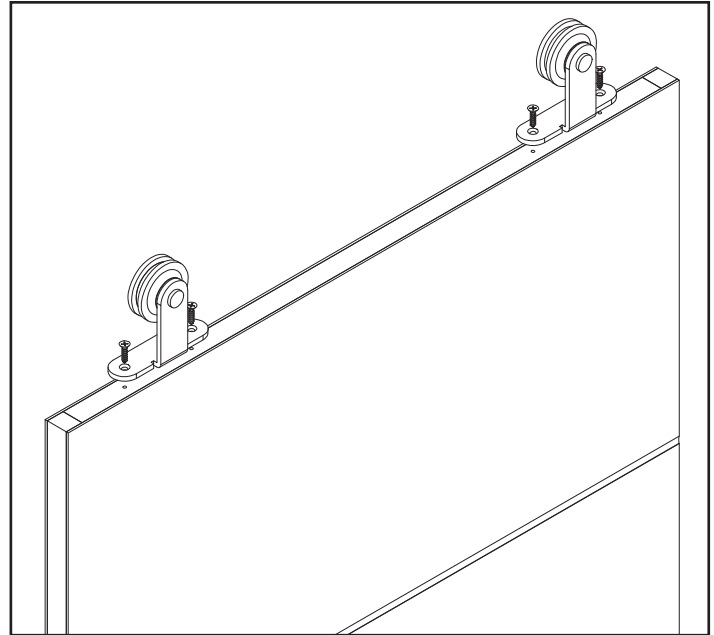


Figure 3. Installing Modern Hangers

Next, install anti-jump disks onto the top surface of door.

1. Position the disks as seen in Figure 4
2. Place disks at least 9 1/2" in from the door's edges
3. Pre-drill holes with 1/8" drill bit, roughly 1/2" deep
4. Secure with (2) #8 X 3/4" wood screws (keep anti-jump disk loose enough for future rotation; to be tightened in step 4)

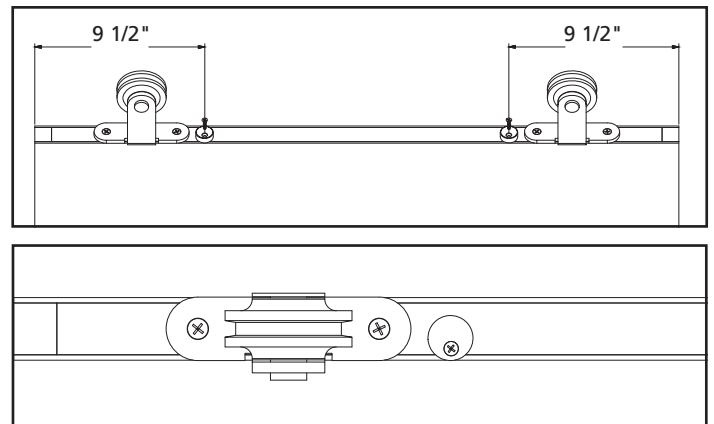


Figure 4. Pre-drilling Anti-Jump Disk

STEP 1: DOOR HARDWARE INSTALLATION (CONT.)

RUSTIC KIT

Next, install the handle.

1. Use the Rustic Kit Pre-drill diagram (Page 9) to locate & pre-drill the holes required to fasten the handle
- Handle can be installed on either side of door, depending on the sliding direction (Pre-drill diagram is universal)**
2. Locate the diagram's reference line 40-3/4" from the top of the door
 3. Fold the diagram around the door as indicated and pre-drill for the handle using a 1/8" bit, roughly 5/8" deep, into the door
 4. Secure handle using the (4) #8 x 3/4" wood screws

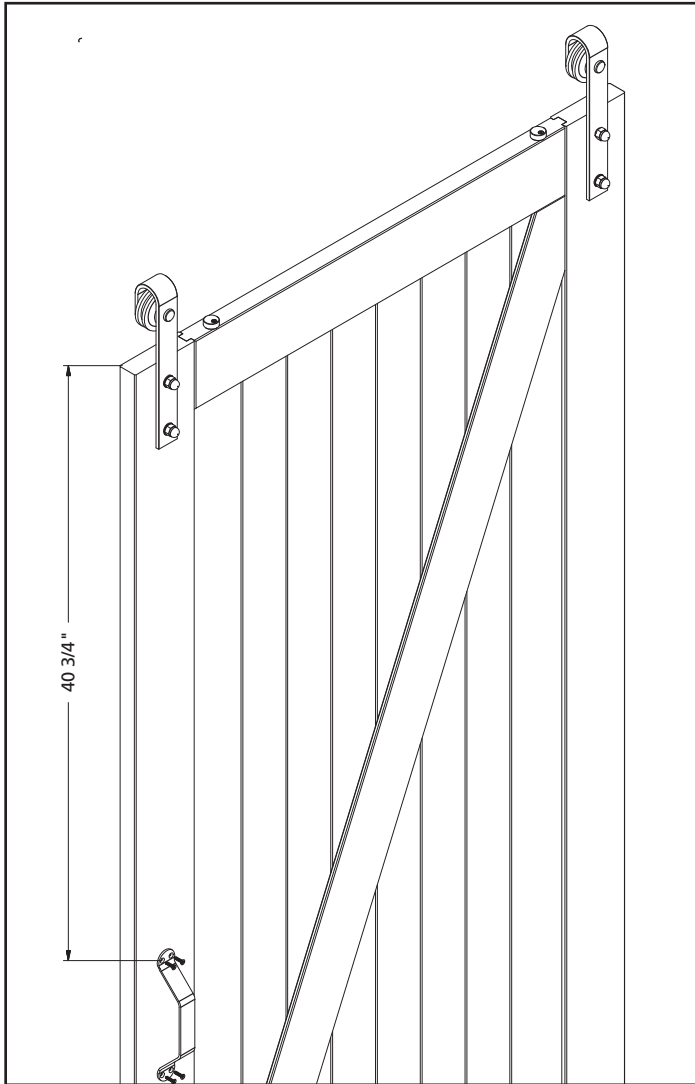


Figure 5. Pre-Drilling Rustic Handle

If the door is used in a passageway that requires access from either side, the next step is to install the included finger pull

1. Pre-drill for the finger pull using a 3/4" Spade bit, drilling roughly 5/8" into the door
2. Press finger pull into pre-drilled hole as shown in figure 6

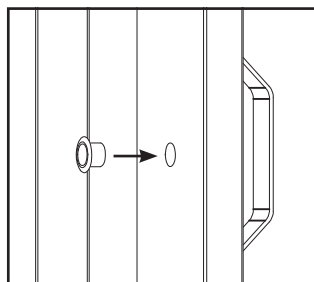


Figure 6. Pre-drilling for Finger Pull

MODERN KIT

Next, install the handle.

1. Use the Modern Kit Pre-drill diagram (Page 10) to locate & pre-drill the holes required to fasten the handle
- Handle can be installed on either side of door, depending on the sliding direction (Pre-drill diagram is universal)**
2. Locate the diagram's reference line 43" from the top of the door
 3. Fold the diagram around the door as indicated and pre-drill for the handle using a 1/4" bit, through the door
 4. Secure handle using the (2) M6 X 55mm machine screws

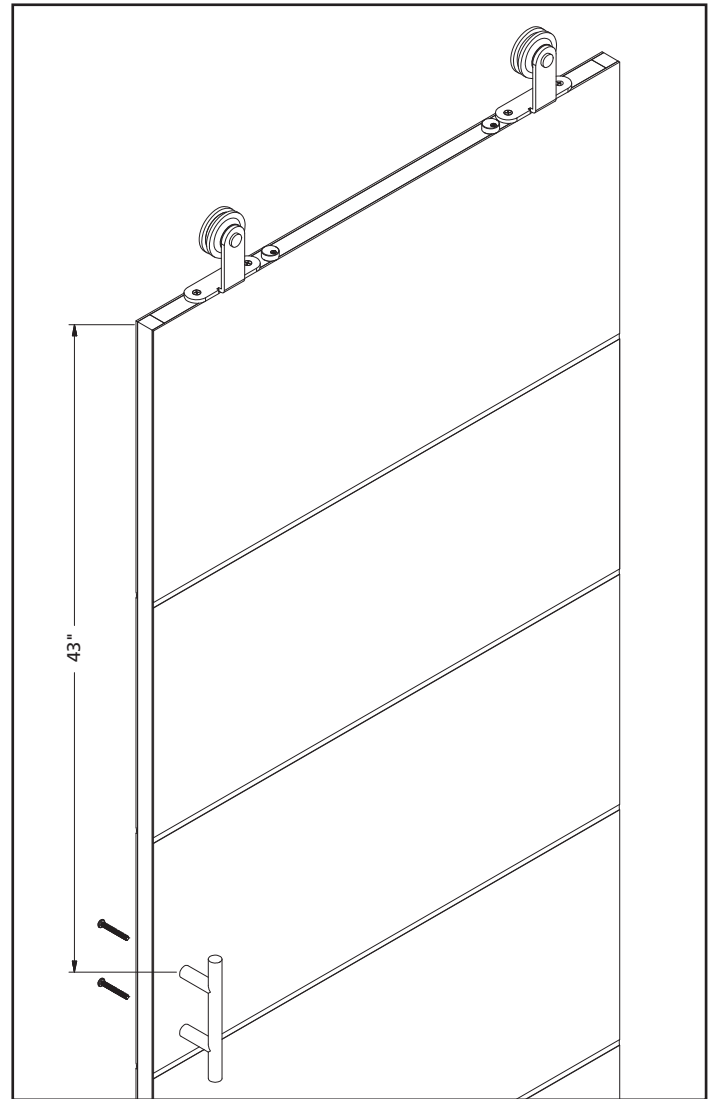


Figure 7. Pre-Drilling Modern Handle

If the door is used in a passageway that requires access from either side, the next step is to install the included finger pull

1. Pre-drill for the finger pull using a 3/4" Spade bit, drilling roughly 5/8" into the door
2. Press finger pull into pre-drilled hole as shown in figure 8

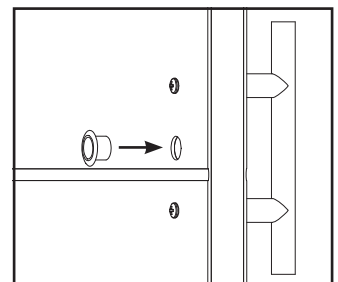


Figure 8. Pre-drilling for Finger Pull

STEP 2: BACKER BOARD INSTALLATION FOR RUSTIC AND MODERN

Pre-drill the 1 X 4 X 84 backer board to align with the track's mounting holes by clamping the track to the backboard and using it as a stencil.

1. Center track on backer board. You should roughly have 31/32" on either side of the track to the edges of the backer board
2. Pre-drill through the 6 main track holes, using a 1/4" bit, through the backer board

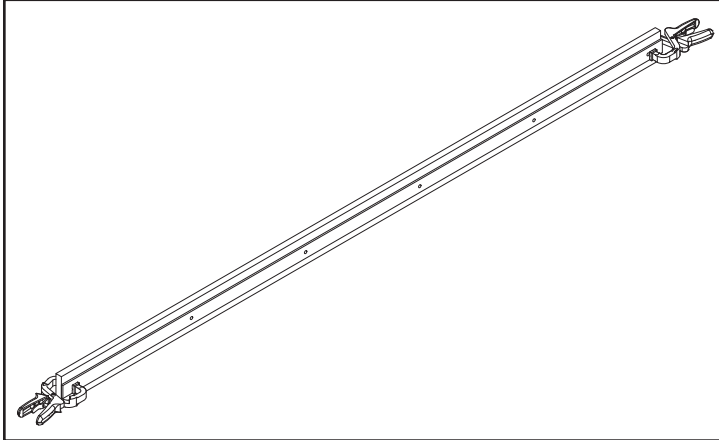


Figure 9. Pre-drilling Backer Board

Locating Studs

1. The board will be placed 84-1/4" from the bottom edge of the backer board to the ground. If installing into thicker carpet, make sure to take this measurement with the end of the measuring tape firmly placed to the base of the carpet
2. Horizontally, the board should be placed so it has a minimum of 3 inches of overlap with the passage opening the barn door will operate within, as shown in figure 10

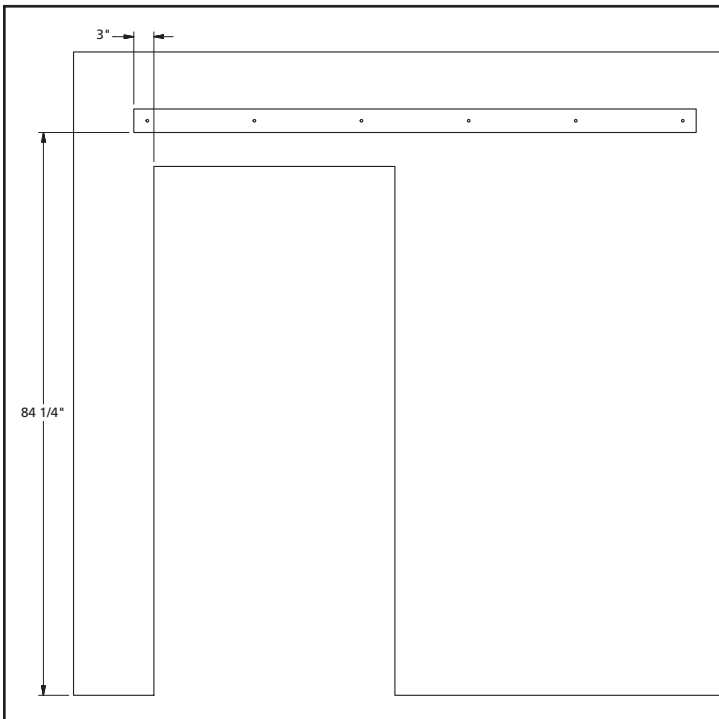


Figure 10. Backer Board Placement

Backer Board Placement

1. Make note of the general position of the backer board
2. Use a stud finder to find and locate as many studs as possible to secure the backer board to (fasteners included for 5 studs)
3. Mark the stud locations, and make note of how they will be located on the backer board

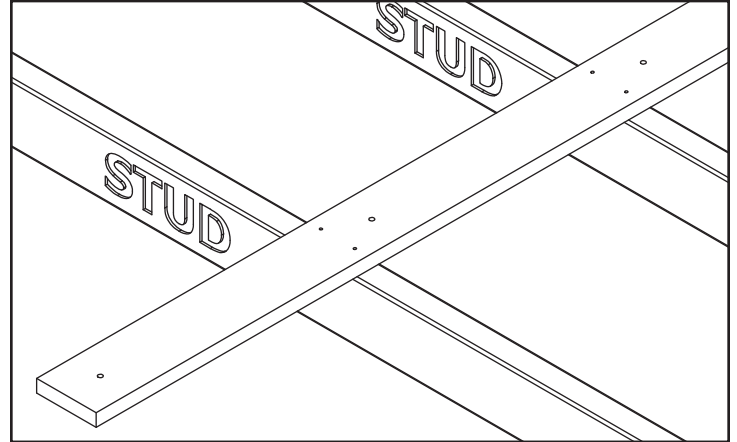


Figure 11. Backer Board Stud Alignment

Pre-drill the backer board for stud attachment.

1. Using a 1/8" drill bit, pre-drill for the studs, placing two holes vertically spaced along the area that will contact the stud as seen in figure 11
2. Once pre-drilling is complete, sand and paint or stain the backer board to the desired finish
3. With the backer board held in position and level, secure it to at least 5 studs with the included (10) #9 X 2-1/2" wood screws

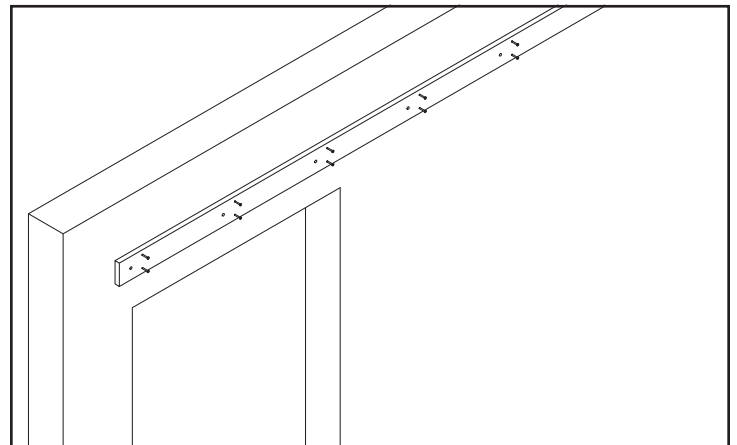


Figure 12. Installing Backer Board

STEP 3: TRACK INSTALLATION FOR RUSTIC AND MODERN

Fasten the track to the backer board.

1. Start by using (1) of (6) standoffs in line with the second pre-drilled hole to fasten the track using a lag screw
2. Make sure standoffs are positioned with the wider base resting against the backer board
3. Include a 8mm washer between the track and each lag screw.
4. Continue fastening lag bolts with a crescent wrench, skipping the 1st and 6th lags

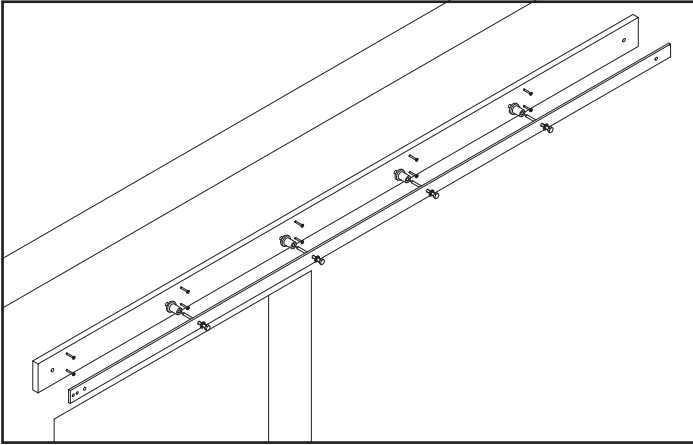


Figure 13. Installing Track

Next, slide on the left and right cushioned stops to either end of the track.

1. If using a 42" door in a 36" opening, the cushioned stops (in contact when the door is in the closed position) will have to be positioned at the ends of the track
2. For all other door sizes, it is recommended that the cushioned stops be placed between the 1st and 2nd lag and the 5th and 6th lag if possible
3. Once cushioned stops are in loosely place (To be tightened in next steps), install 1" & 6" lags (lags may need to be removed in step 4 temporarily to install Floor Guide)

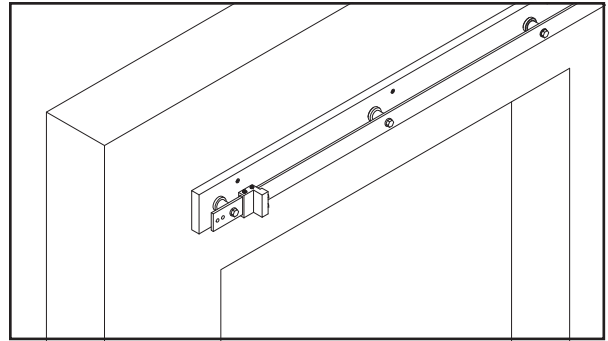


Figure 14. Sliding on Cushioned Stops

STEP 4: HANGING BARN DOOR ON TRACK FOR RUSTIC AND MODERN

1. First, swivel the anti-jump disks away from the door
2. Next, (using two people) lift door and align hangers over track, gently lower hangers into contact with track. Once the track is supporting the door, rotate the anti-jump disks so that they are under the track and tighten their screws to stop further rotation

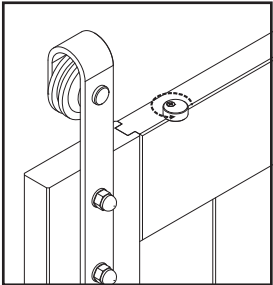


Figure 15. Anti-Jump Disks Placement

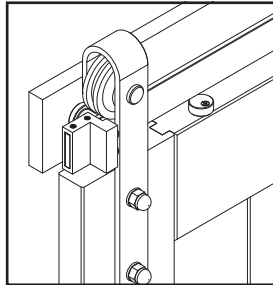


Figure 16. Anti-Jump Disk Final Position

Once the door is hanging plumb, install the floor guide

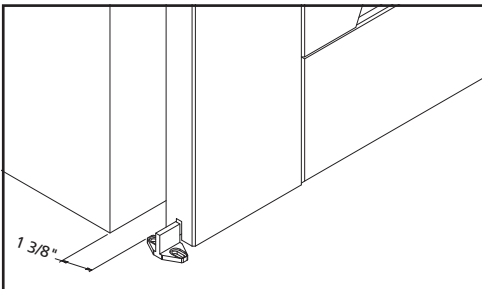


Figure 17. Positioning Floor Guide

3. Position the guide so it lines up centered with the channel on the bottom of the door, roughly 1-3/8" from the edge of the wall to the interior edge of the guide

Ensure installed Floor Guide will always be fully engaged through doors desired range of movement (fully open/fully closed)

4. Mark the two hole locations with a pencil and pre-drill with a 1/8" bit (If installing in concrete flooring, use 1/4" bit and supplied anchors)
5. Tighten the Floor Guide with (2) ST4.2 x 25mm screws to a snug fit, while ensuring that the Floor Guide is well engaged with the door's bottom channel
6. Secure cushioned stop using provided set screws

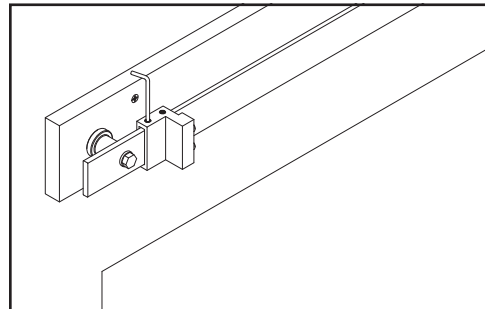


Figure 18. Secure Cushioned Stop with Allen Key

OPTIONAL: DOUBLE DOOR INSTALLATION FOR RUSTIC AND MODERN

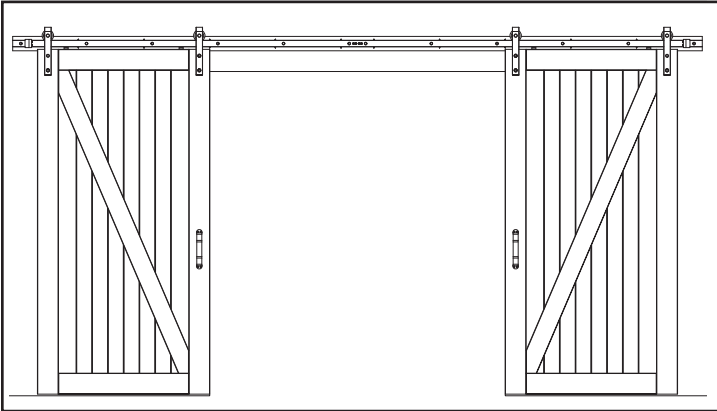


Figure 19. Double Door Installation

Two kits of the same kind can be used on a double door application. Each kit comes with a track connector that can be used to link two tracks.

To use two tracks together, follow the previous installation steps for each track, centering the tracks within the passage way. When using two Modern kits, once the tracks have been installed, use the included connector from either of the kits to combine the tracks as seen in figure 20.

If combining two rustic kits, do not use the supplied track connector, and instead use the provided stops in its place.

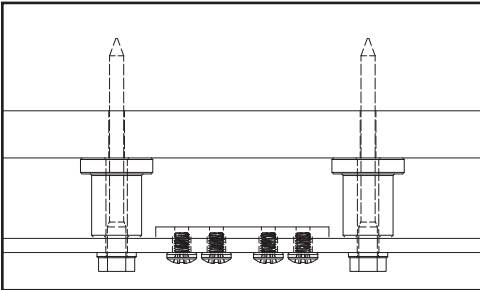
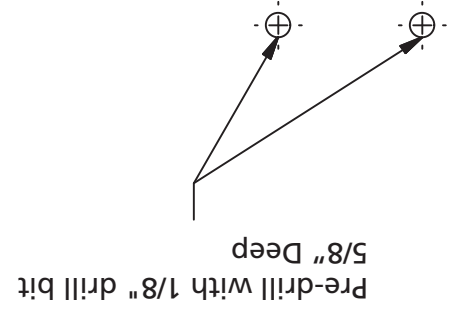
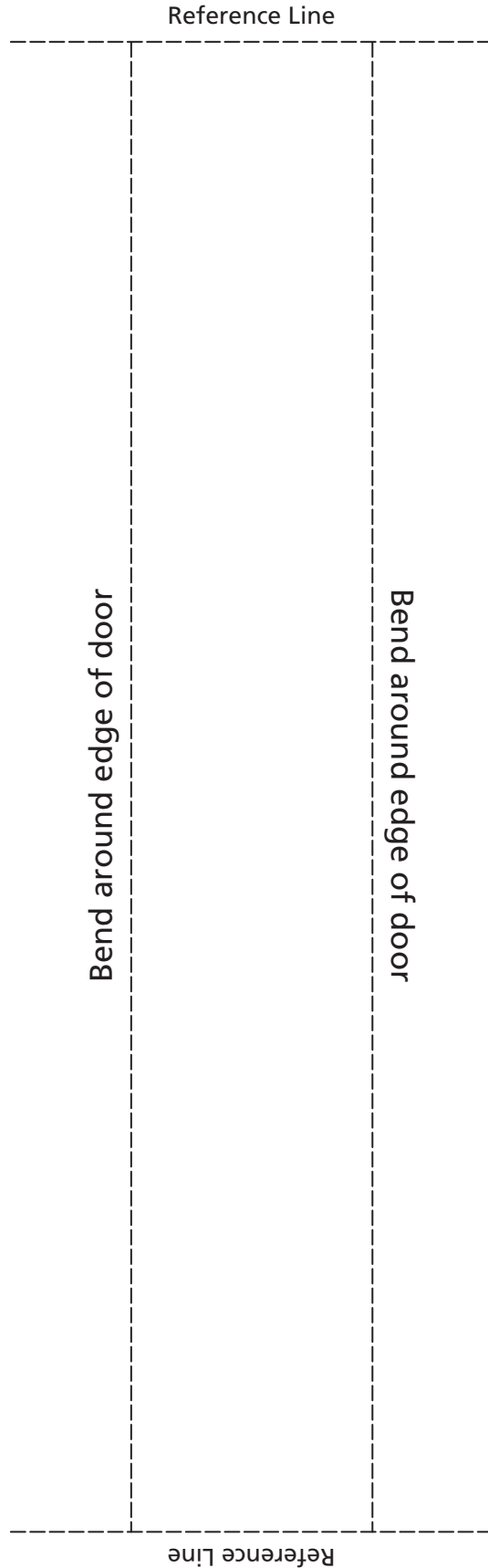
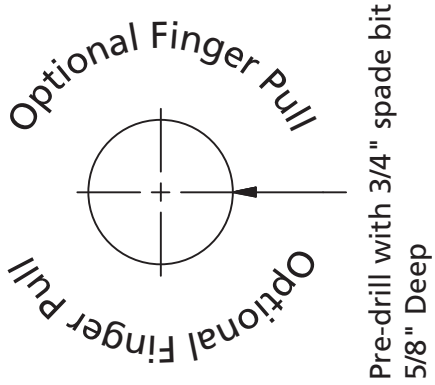


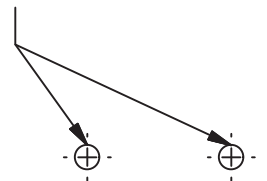
Figure 20. Top View of Track Connector

Handle & Finger Pull Drill Pattern for Rustic Kit



Rustic Handle

Pre-drill with 1/8" drill bit
5/8" Deep



Handle & Finger Pull Drill Pattern for Modern Kit

