



# 4D CONCEPTS

## WINDSOR SPACESAVE W/BASKETS

MODEL 603120

### NEED ASSISTANCE ?

Call 4D CONCEPTS directly for parts or assembly assistance.

Individual stores do not stock parts

Call our Toll-free number 5 days a week except holidays:

Monday through Friday 8.00am to 5.00pm

Pacific Standard Time

[www.4dconceptsusa.com](http://www.4dconceptsusa.com)

**1-888-310-4DCO or 1-888-310 4326**

IMPORTANT: Before calling please have the model number

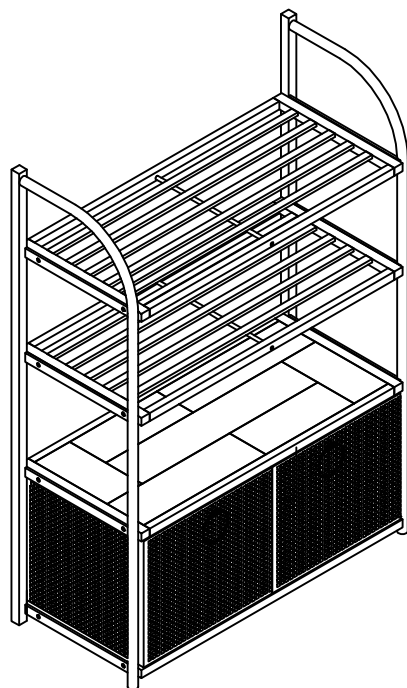
and the packing code number ready for our customer service representatives.

You will find the model number printed on the carton label and the packing code printed in black ink on the side of the carton.

Model 603120 Packing code

It is important that you retain the model number and the packing code along with the original receipt of purchase for future reference

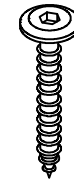
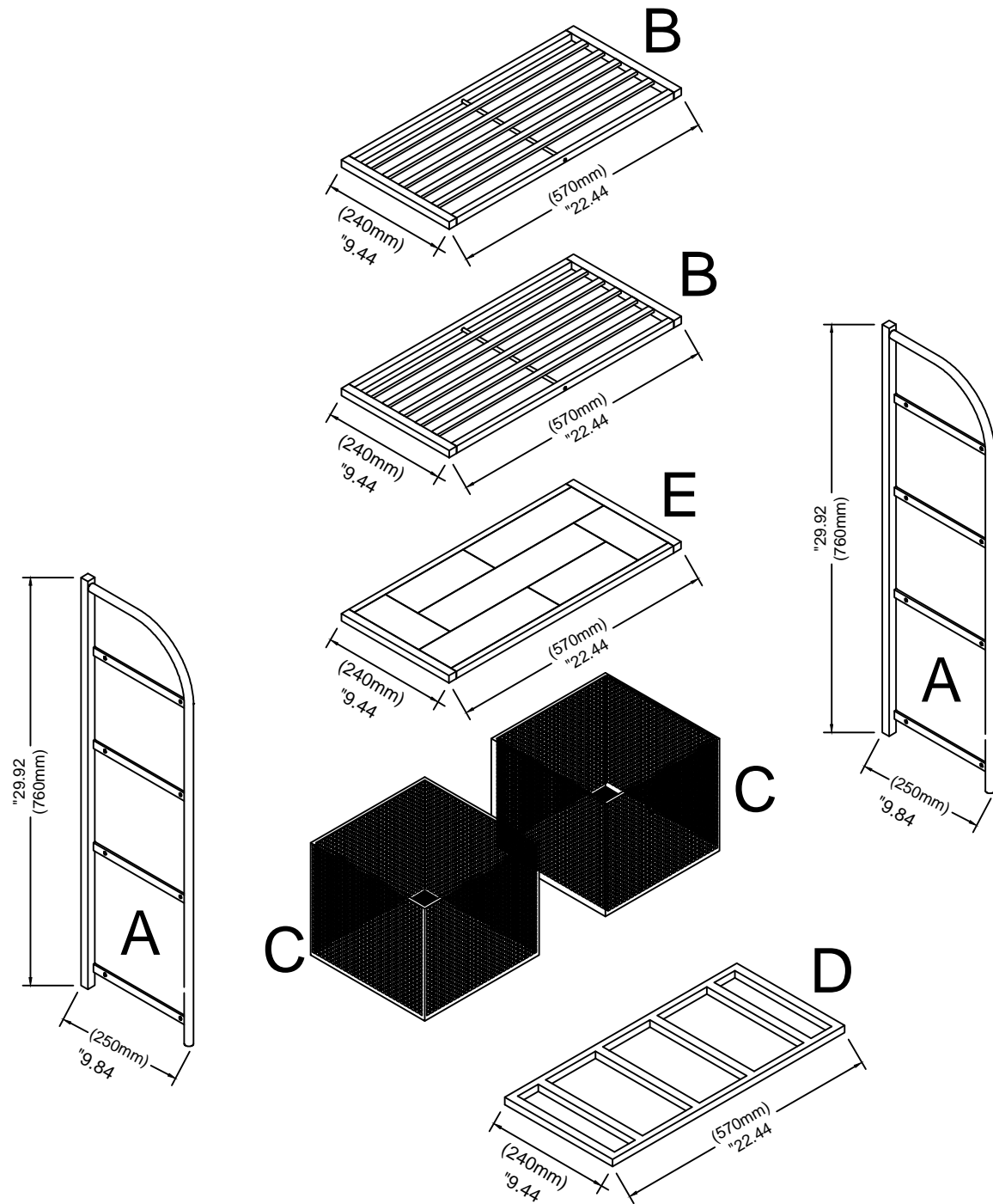
Made in China



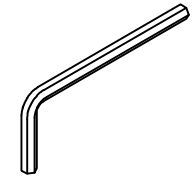
WITH EVERY PURCHASE FROM 4D CONCEPTS, YOU ARE HELPING TO CREATE BUSINESS SOLUTIONS TO POVERTY.

**MEDA** Find out how  
[www.meda.org/4D](http://www.meda.org/4D)

Please note that the units must be assembled completely in order for the drawers to open and close correctly



F x 16



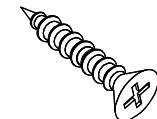
G x 1

WALL FIXINGS × 1 BAG

H

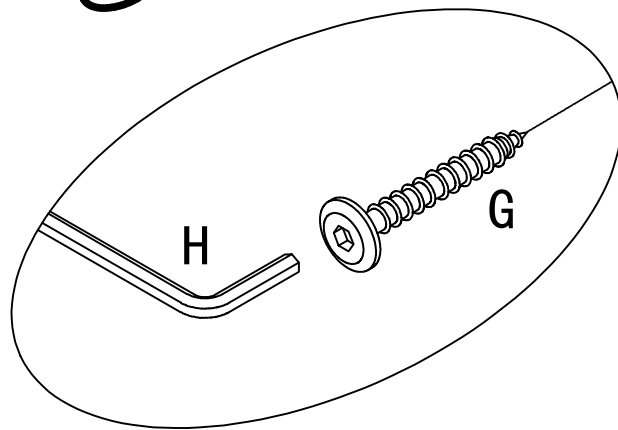
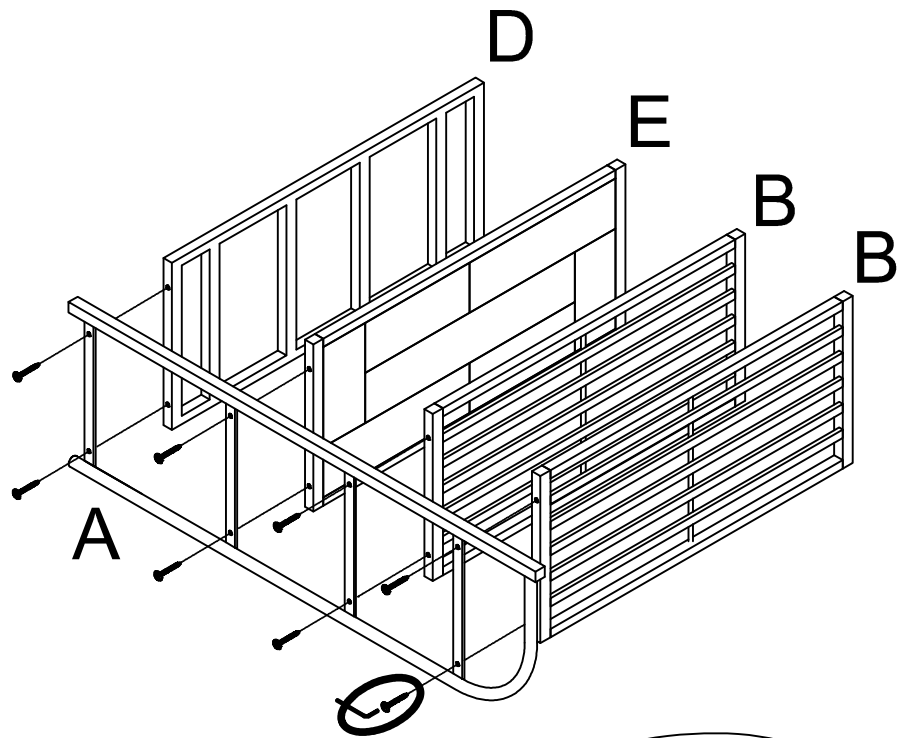
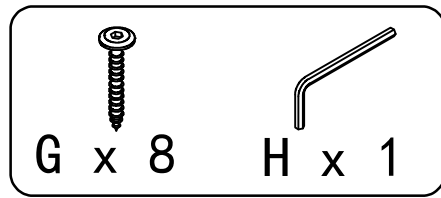


6 x 30MM  
x 4

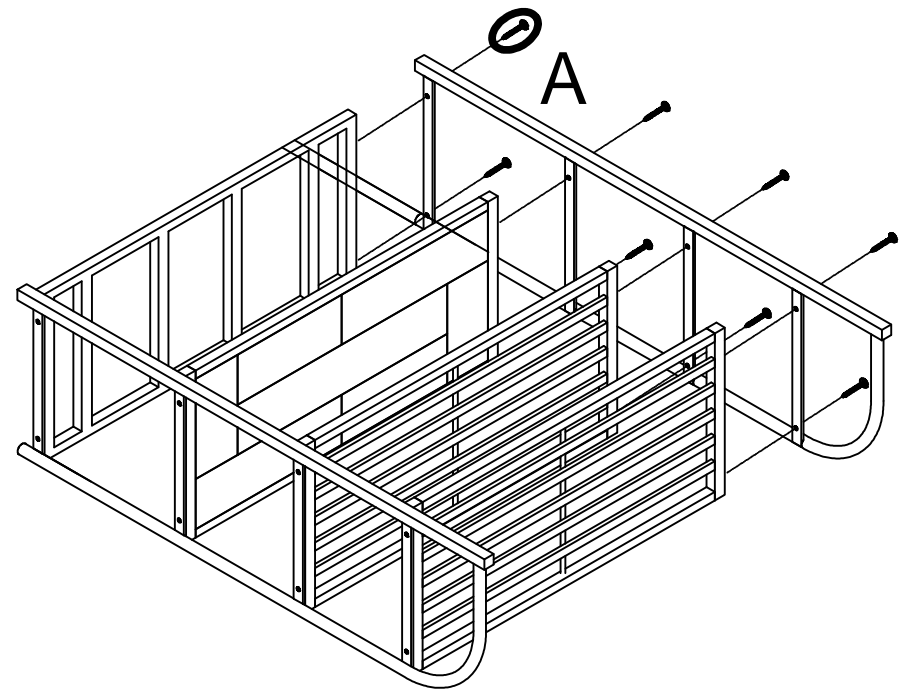
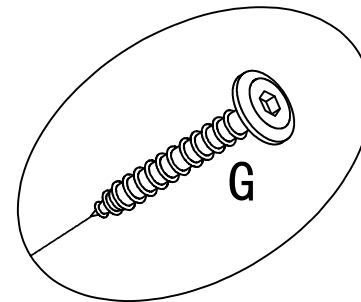
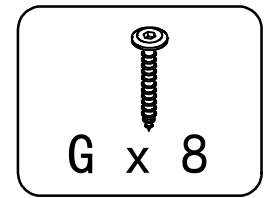


4 x 35MM  
x 4

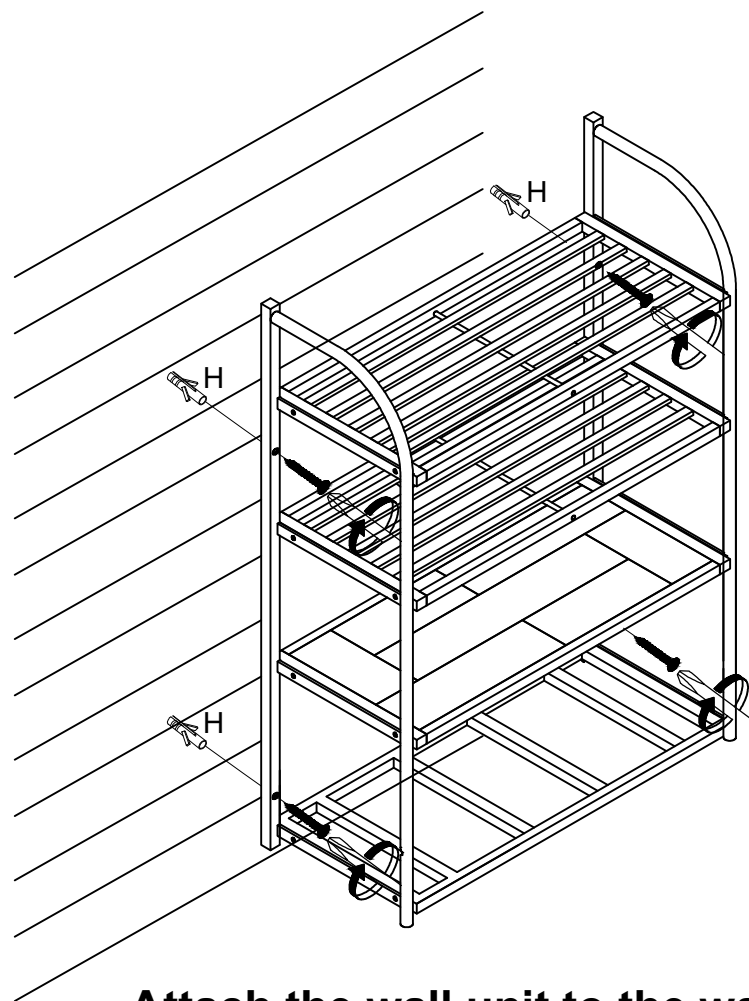
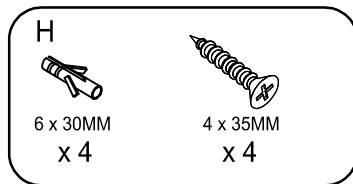
1.



2.



3.



Attach the wall unit to the wall using the “H” screw, and screwing through part A into the wall inserts in your wall.

4.

