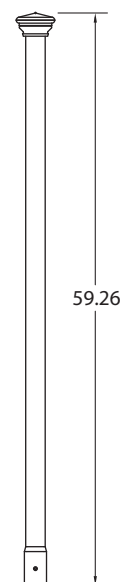
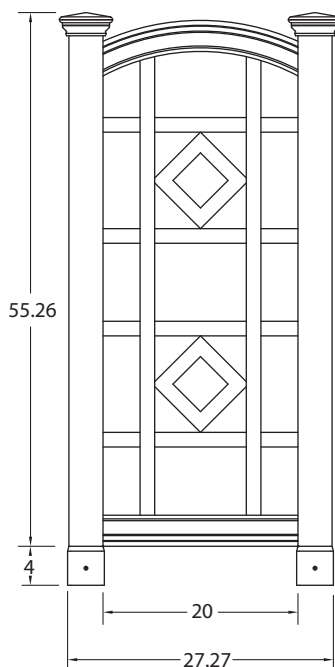
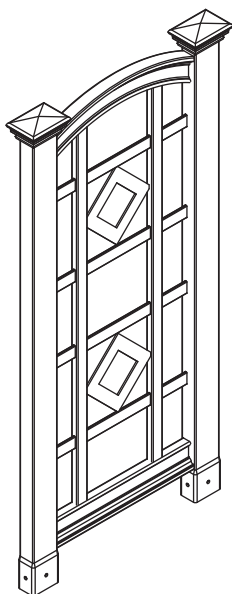


ASSEMBLY INSTRUCTIONS

Eden™

Enduring Garden Architecture
www.edenarbors.com

The Milan Trellis



Please read through before starting assembly.

IMPORTANT: CHECK THE INSIDE OF YOUR POSTS FOR ALL MATERIALS.

Check Box for These Contents

In the event of missing or defective parts please call our customer service dept. at **1 800 282 9346, ext #20** (Mon. to Fri. 8:00 AM to 4:00 PM EST).

1. Arched Top Rail (1)
2. Post Caps (2)
3. Posts (2)
4. Vertical Spindle Left (1)
5. Vertical Spindle Right (1)
6. Horizontal Spindles (4)
7. Diamonds (2)
8. Bottom Rail (1)
9. Ground Anchoring Stakes (2)
10. 5/8" Self-Auguring Stainless Steel Screws (12)

Tools You Will Need

- Cordless Drill
- Hammer
- Tape Measure
- Level
- Shovel

General Information

- **Read Instructions through carefully before beginning assembly.**
- When assembling components, place on a non-abrasive surface (i.e. shipping box) to avoid scratching.
- We recommend an area approx 5'x 8' for unobstructed assembling.
- You should not need to use excessive force when assembling components.

