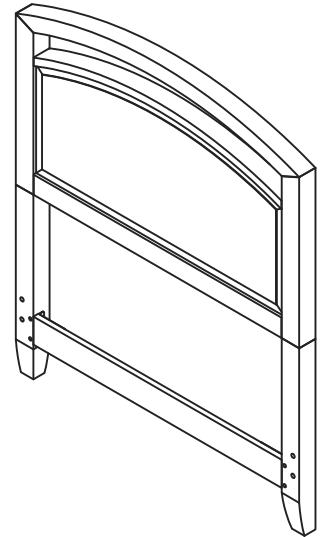


# 88 5515 401 Twin Headboard



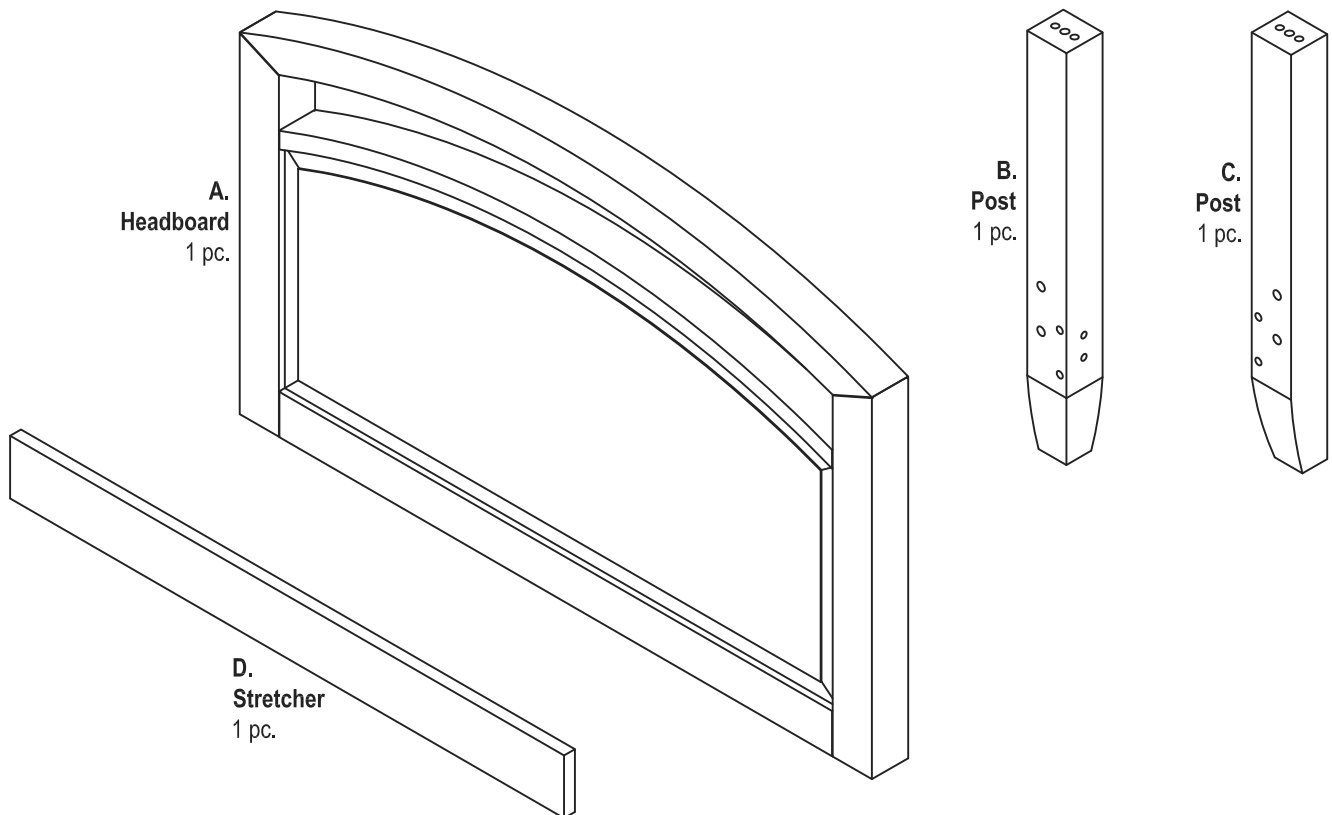
## IMPORTANT NOTE

Carefully remove all the parts from the carton and put them individually on a soft cloth to prevent scratches or other damage occurring to the parts.

We have taken great care in the design of this product and request that you carefully and strictly follow our assembly instructions to ensure a completed product as it was designed.

*Home  
Styles*

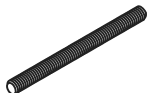
## Part List



## Hardware List



(M6x30)  
Head Cap Bolt  
4 pcs. (+1 extra)



(5/16" x 3 5/32")  
Bolt  
2 pcs. (+1 extra)



(M4x16)  
5/8" Flat Head Screw  
10 pcs. (+1 extra)



Spring Washer  
4 pcs. (+1 extra)



Flat Washer  
4 pcs. (+1 extra)



Square Washer  
2 pcs. (+1 extra)



Nut  
2 pcs. (+1 extra)



Corner Plate  
2 pcs.



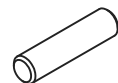
Wrench  
1 pc.



Allen Key  
1 pc.



Small Allen Key  
1 pc.



Wooden Dowel  
4 pcs. (+1 extra)

Tools Required For Assembly : Phillips screwdriver

**Home Styles Consumer Assistance:** [www.homestyles-furniture.com](http://www.homestyles-furniture.com),  
[servicedesk@homestyles-furniture.com](mailto:servicedesk@homestyles-furniture.com), 888-680-7460, 877-831-0319

**IMPORTANT**

- \* Do not tighten up all the bolts until each part is properly assembled.
- \* You should keep Wrench and Allen Key in a safe place as you may need to tighten up the Nuts and Head Cap Bolts in the future.
- \* Use a soft cloth between these parts and the floor.

## STEP 1

Insert Bolts into the pre-drilled holes of Headboard (A).

Attach Corner Plates to Stretcher (D) with 5/8" Flat Head Screws.

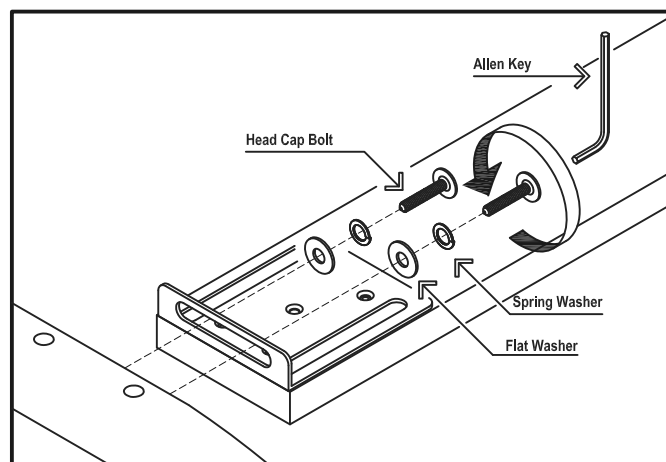
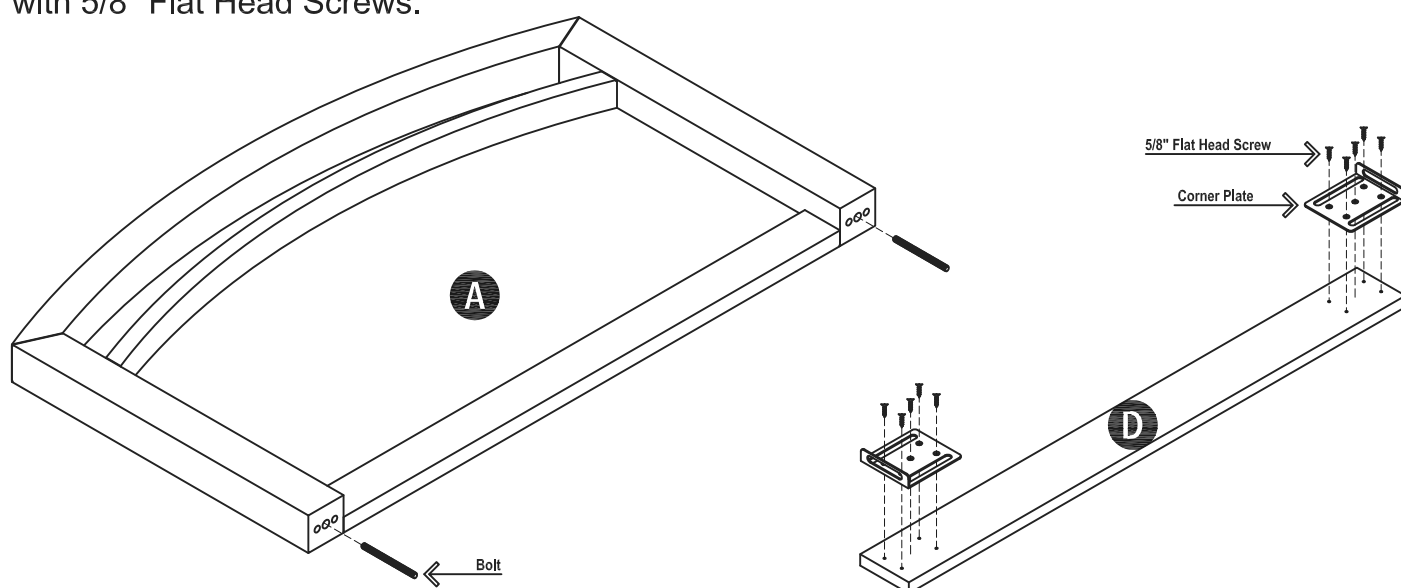
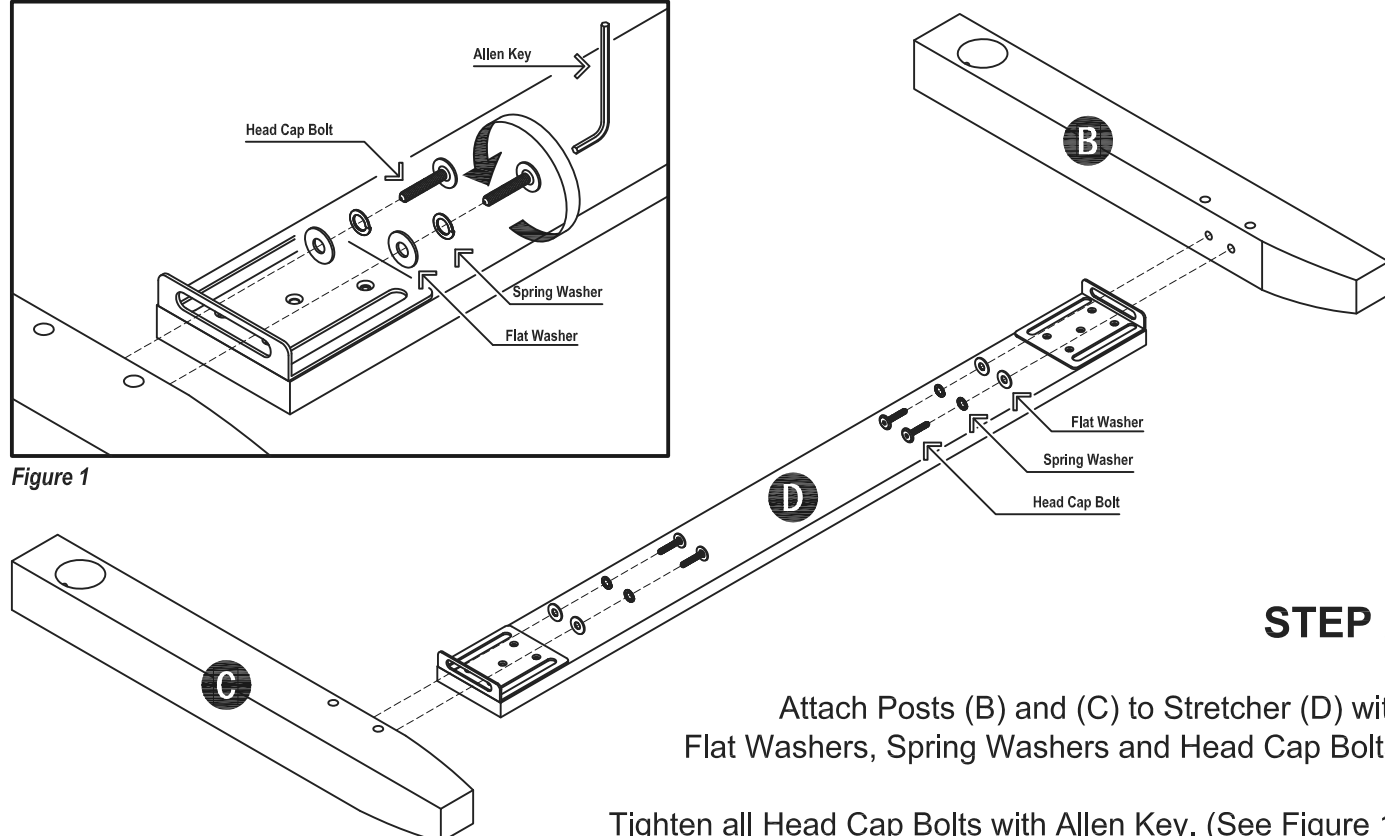


Figure 1



## STEP 2

Attach Posts (B) and (C) to Stretcher (D) with Flat Washers, Spring Washers and Head Cap Bolts.

Tighten all Head Cap Bolts with Allen Key. (See Figure 1)

### STEP 3

Attach Headboard (A) to unit with Wooden Dowels, Square Washers and Nuts.

Tighten all Nuts with Wrench. (See Figure 2)

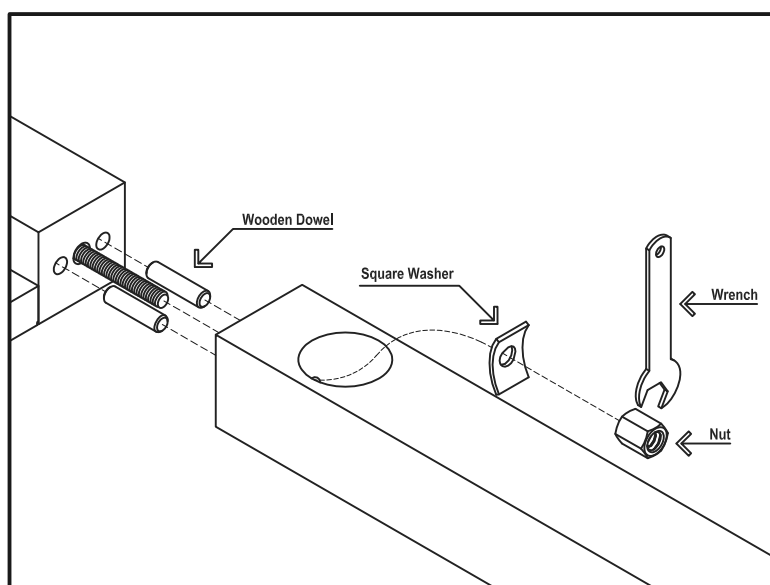
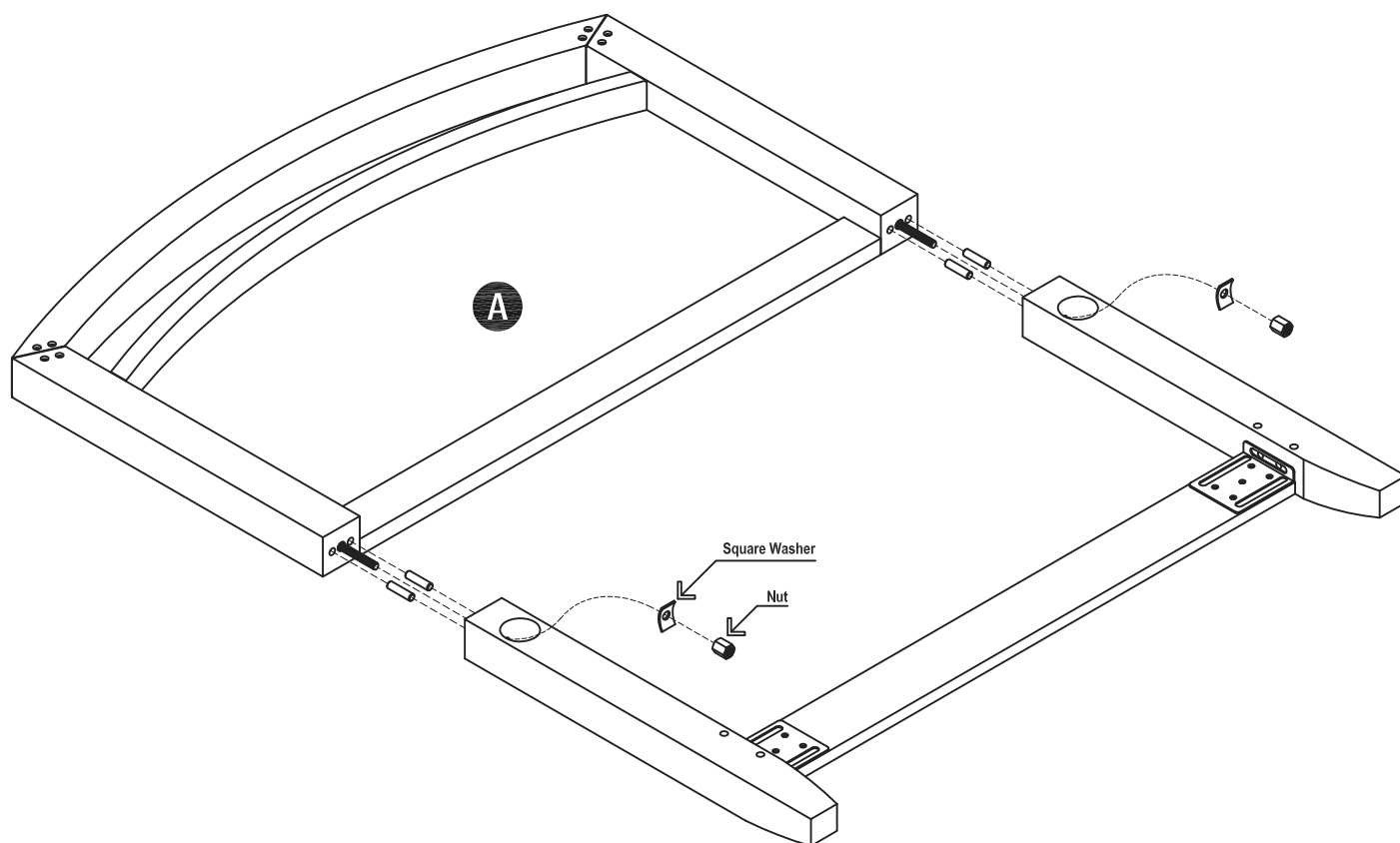


Figure 2

# VERY IMPORTANT !!

## CARE INSTRUCTIONS

### NEVER

USE GLASS CLEANERS ON FINISHED FURNITURE. AMMONIA WILL CHEMICALLY ATTACK THE FINISH.

### NEVER

ALLOW LIQUIDS OF ANY KIND TO REMAIN ON THE FURNITURE. ABSORPTION CAUSES PART TO WARP AND SPLIT AND FINISHES TO DELAMINATE.

DO NOT WRITE DIRECTLY ON SURFACE.



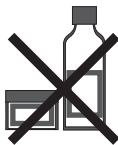
**PREVENT MARKING**

DO NOT PLACE IN DIRECT SUNLIGHT.



**PREVENT FADING**

DO NOT USE COMMERCIAL WAXES AND POLISHES.



**PREVENT YELLOWING**

DO NOT PLACE HOT OBJECTS ON SURFACE.



**PREVENT FINISH DAMAGE**

DO NOT USE RUBBER BASED PLACE MATS.



**PREVENT DISCOLORING**

## TO CLEAN

USE A SOFT CLOTH MOISTENED IN LUKEWARM SOAP AND WATER, THEN BUFF WITH A DRY CLEAN CLOTH.



Home Styles will provide replacements free of charge for missing or damaged hardware or parts within 30 days of purchase. Digital images of the defective parts may be required. If this product was not purchased from an authorized retail affiliate, Home Styles is under no obligation to provide replacement parts. Parts are not available for fully assembled items nor are parts available for sale. Replacements for missing or damaged hardware or parts may be requested at:

[www.homestyles-furniture.com/customer\\_service](http://www.homestyles-furniture.com/customer_service)

**Home Styles Consumer Assistance:** [www.homestyles-furniture.com](http://www.homestyles-furniture.com),  
[servicedesk@homestyles-furniture.com](mailto:servicedesk@homestyles-furniture.com), 888-680-7460, 877-831-0319