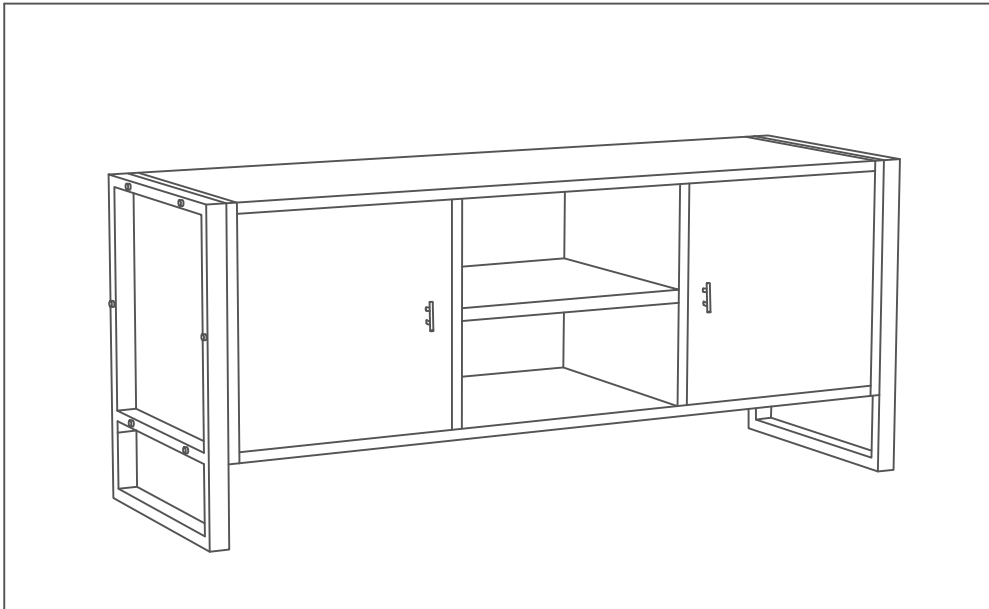


# Assembly Instructions

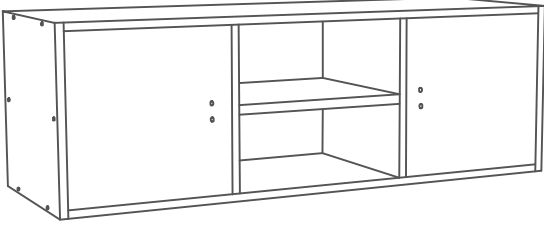
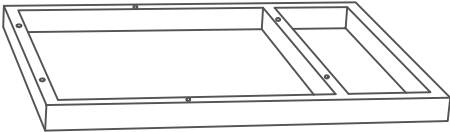

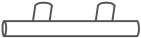
06 0241 MC






Thank you very much for your purchase.

If you have any questions pertaining to the assembly of this  
~|} ã |^Á| a & Ê| ^æ ^Á| } œ&•ç { ^|•^|ç&^O•[ { ^æÊ| { ÊÁ  
Phone:(800)372-0113


## Parts List

lable	Picture	Description	Qty
A			1
B		This fittings have two screw hole in both side.Put the bigger screw hole inward and the small screw hole outward	2
C			1
D			2

## Hardware List

lable	Picture	Description	Size	Qty
H-1		Bolt	M6x55 mm	12
H-2		Bolt	M6x45 mm	4
H-3		Middle axle	$\phi 6 \times 14$ mm	4

## Tool List

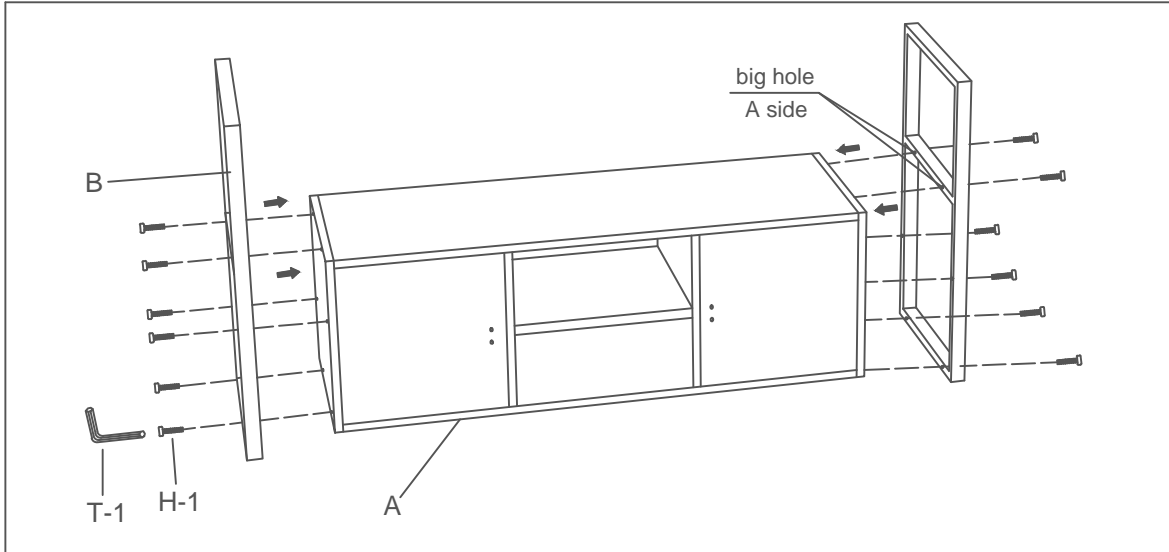
lable	Picture	Description	Size	Qty
T-1		Allen Key	$\phi 4$ mm	1

# Assembly Steps

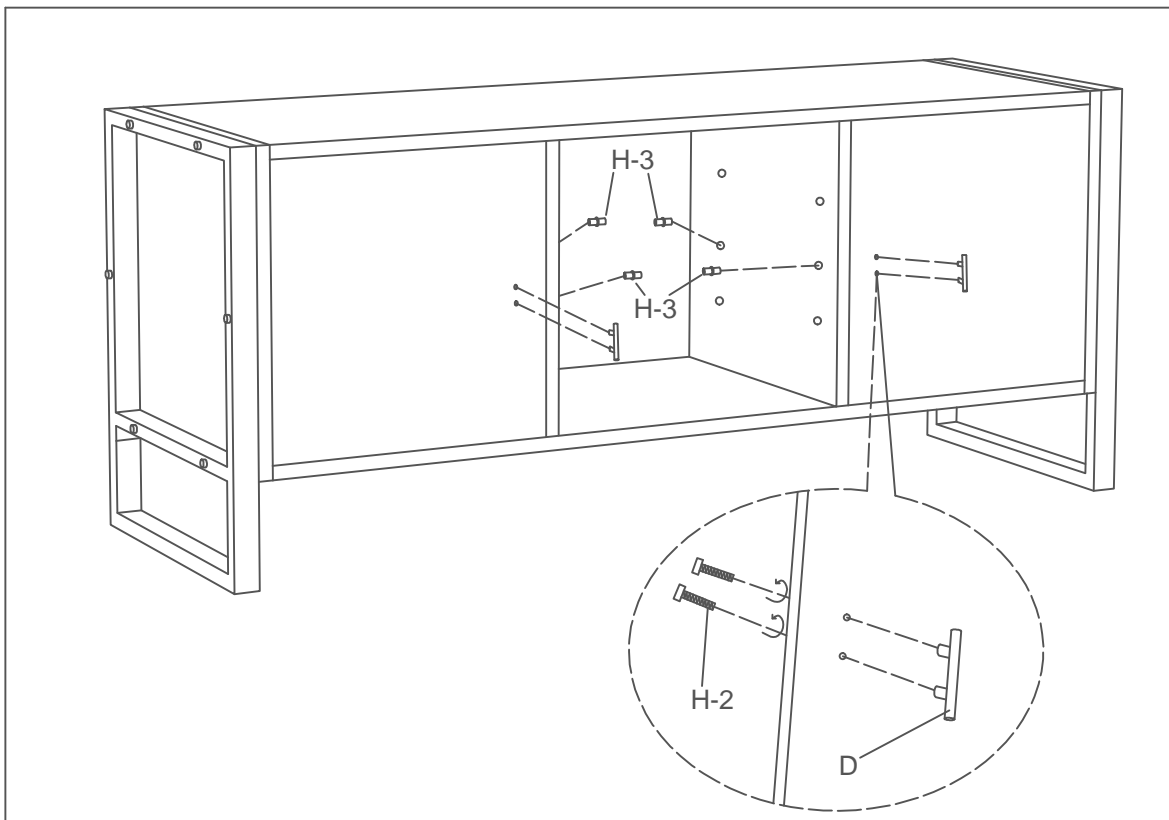
ATTENTION:

DO NOT COMPLETELY TIGHTEN ANY SCREWS UNTIL ALL PARTS ARE IN PLACE

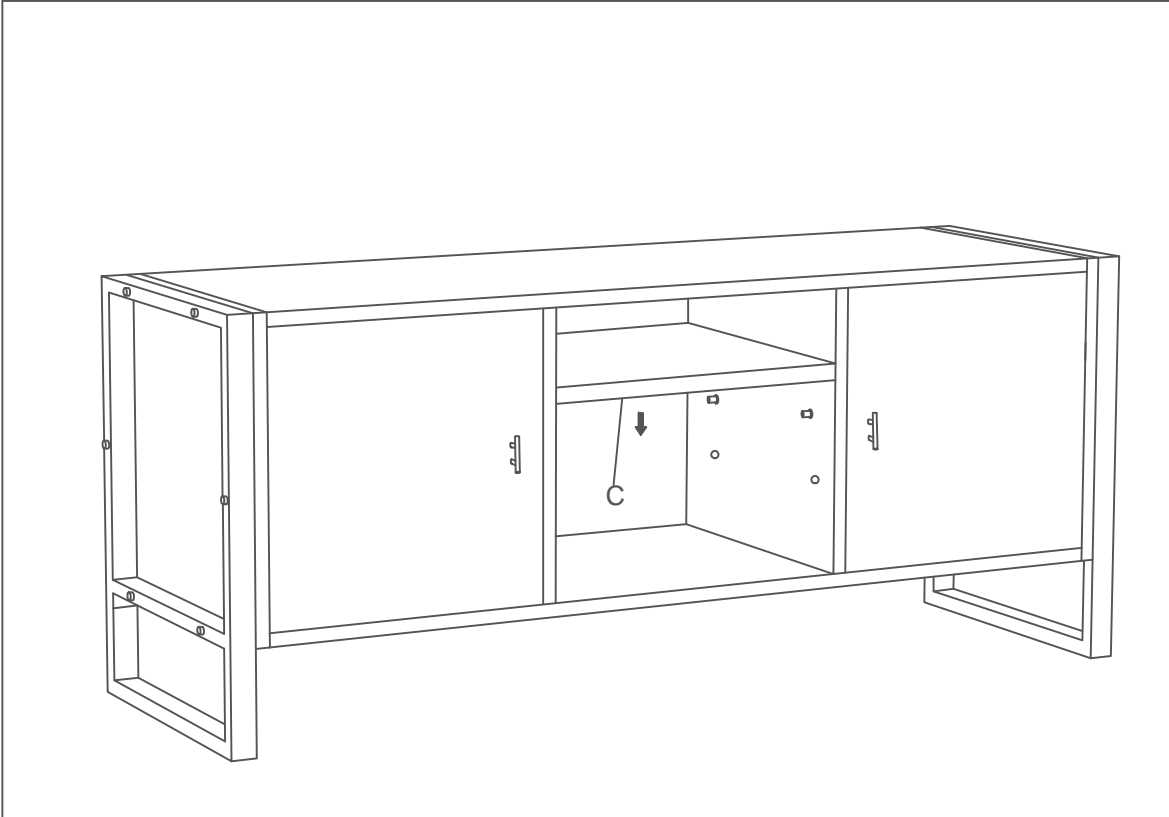
## Step 1



## Step 2



Step 3



Step 4

