



# LAWN + GARDEN MULTI-TOOL SYSTEM

HEDGE TRIMMER | POLE HEDGE TRIMMER | GRASS TRIMMER | GARDEN TILLER

Model GTS4000E

Form No. SJ-GTS4000E-880E-M

A Division of Snow Joe®, LLC

## OPERATOR'S MANUAL

### IMPORTANT!


### Safety Instructions


### All Operators Must Read These Instructions Before Use


Always follow these safety guidelines. Failure to do so may result in serious bodily injury or death.

### General Safety WARNINGS!

You and any other operator of this power tool must read, understand, and follow these instructions in their entirety. Failure to follow these instructions may result in **ELECTRIC SHOCK**, **FIRE**, and/or serious **PERSONAL INJURY**.

Notice the personal safety alert symbol  used in this manual to draw your attention to a **WARNING** given along with the particular operating instruction. This means that the operation requires special **ATTENTION**, **CAUTION**, and **AWARENESS**.

 **WARNING!** This unit can be dangerous! Careless or improper use can cause serious injury.


 **WARNING!** The rotating blades can cut you. Keep hands and feet away from the blades and the cutting area.

Before using the power tool, familiarize yourself with the controls, especially how to stop the power tool in an emergency. The only individuals who should use the power tool are those who thoroughly understand these instructions and know how to properly operate the unit. Children should never be allowed access to the power tool.

Retain this manual for future reference and reread it at the start of each season.

- 1. Keep work area clean and well-lit** – Cluttered, dark areas invite accidents.
- 2. Replacement parts** – When servicing this unit, use only identical replacement parts. Replace or repair damaged cords immediately.
- 3. Keep children, bystanders, and pets away** – All spectators, including pets, should be kept a safe distance away from the work area.
- 4. Know your product** – Know how to start and stop the machine. Be thoroughly familiar with the controls. Ensure the controls (start/stop) function properly before using.

- 5. Use the right tool** – Do not use this power tool for any job except that for which it was intended.
- 6. Dress properly** – Do not wear loose clothing or jewelry as such articles can become caught in moving parts. Wear a protective covering to contain long hair. Wearing rubber gloves and substantial non-slip footwear is recommended when working outdoors.
- 7. Extension cords** – To prevent electric shock, use only with an extension cord suitable for outdoor use.
- 8. Avoid accidental starting** – Do not carry the power tool with your finger on the switch. Make sure the switch is off before plugging in or unplugging the unit.

 **CAUTION!** Moving parts will continue to run for several seconds after turning off the machine.

- 9. Do not abuse the cord** – Never carry the power tool by the cord or yank the cord to disconnect it from the receptacle. Keep the cord away from heat, oil, and sharp edges.
- 10. Moving parts** – Keep hands and feet away from moving parts. Keep guards in place and in proper working order.
- 11. Do not force the tool** – It will perform better with less likelihood of personal or mechanical injury if it is used at the rate for which it was designed.
- 12. Do not overreach** – Keep proper footing and balance at all times.
- 13. Use safety glasses** – Also use safety footwear, snug-fitting clothing, protective gloves, hearing, and head protection.
- 14. Disconnect the tool** – Disconnect the power tool from the power supply when it is not in use, before servicing it, when changing accessories, and when performing any other maintenance task.
- 15. Store idle tool indoors** – When not in use, the power tool should be stored indoors in a dry and high or locked-up place out of the reach of children.
- 16. Maintain the power tool with care** – Keep the cutting edges sharp and clean for optimal performance and to reduce the risk of injury. Inspect the extension cord periodically and immediately replace it if damaged. Keep the handles dry, clean, and free from oil and grease. Follow the additional recommendations described in the maintenance section of this manual.
- 17. Avoid dangerous environments** – Do not use the power tool in rain or in damp or wet locations. Do not operate the power tool in gaseous or explosive atmospheres or use the power tool near flammable or combustible liquids. Motors in these tools normally spark, and the sparks might ignite fumes.

18. **Stay alert** – Watch what you are doing. Use common sense. Do not operate the power tool when you are tired or under the influence of drugs, alcohol, or other medication.
19. **Check for damaged parts** – Before further use of the power tool, a guard or other part that is damaged should be carefully checked to determine that it will operate properly and perform its intended function. Check for alignment of moving parts, binding of moving parts, breakage of parts, mounting, and any other condition that may affect its operation. A guard or other part that is damaged should be properly repaired or replaced. Contact the Snow Joe® + Sun Joe® customer service center at 1-866-SNOWJOE (1-866-766-9563) for assistance.

## Specific Safety Warnings for Hedge Trimmer/Pole Hedge Trimmer

1. Remove any adjusting key or wrench before turning the power tool on. A wrench or key left attached to the rotating part of the power tool may result in personal injury.
2. If devices or facilities are available for the extraction and collection of dust, ensure these are connected or properly used. Use of these devices can reduce dust related hazards.
3. Remove any blade that has been damaged. Always make sure that the blade is installed correctly and securely fastened before each use. Failure to do so can cause serious injury.
4. Hold the pole hedge trimmer by insulated gripping surfaces only, because the cutter blade may contact hidden wiring or its own cord. Cutter blades contacting a "live" wire may electrify exposed metal parts of the power tool and could give the operator an electric shock.
5. Maintain a firm grip on both handles while cutting with the blade. Keep the blade away from body.
6. Hold pole hedge trimmer properly, e.g., with both hands if two handles are provided. Loss of control can cause personal injury.
7. Keep extension cord away from cutting area. During operation the extension cord may be hidden in shrubs and can be accidentally cut by the blade.
8. Check the hedge for foreign objects before operation, e.g., center fences. Take care that the cutting device does not come in contact with wire or other metal objects.
9. Keep all parts of the body away from the cutting blade. Do not remove cut material or hold material to be cut when blades are moving. Make sure the switch is off when clearing jammed material. A moment of inattention while operating the pole hedge trimmer may result in serious personal injury.
10. Carry the hedge trimmer by the handle with the cutting blade stopped. When transporting or storing the hedge trimmer always keep the blade covered. Proper handling of the hedge trimmer will reduce possible personal injury from the cutter blades.
11. Do not use the hedge trimmer if the switch does not turn it on and off. Any power tool that cannot be controlled with the switch is dangerous and must be repaired.
12. Use the pole hedge trimmer and accessories in accordance with these instructions, taking into account the working conditions and the work to be performed. Use of the power tool for operations different from intended use could lead to a hazardous situation.
13. The product should be supplied via a residual current device (RCD) with a tripping current of not more than 30 mA.

## Specific Safety Warnings for Grass Trimmer

**⚠ CAUTION!** The safety guard is critical to the safety of the operator and the safety of people standing within a safe distance of the grass trimmer. The safety guard keeps the unit in good working order and must always be in place during operation. Failure to have the guard in place during operation is dangerous and will void the warranty.

1. Keep away from the cutting line – It can seriously injure the skin.
2. Do not try to stop the cutting device with your hands – Always let it come to a stop by itself.

**⚠ CAUTION!** The trimmer line spool will continue to rotate after turning the trimmer OFF. Wait until the trimmer line spool has completely stopped before making contact.

3. Only use the same type of line originally provided with the tool.
4. Do not use the unit to cut grass that is not in contact with the ground.
5. Do not switch the grass trimmer ON in enclosed or poorly ventilated spaces or in the presence of flammable and/or explosive substances such as liquids, gases, and powders.
6. The user of the grass trimmer is responsible for any damage sustained by third parties that has been caused by the grass trimmer within the working area.
7. Only cut during broad daylight or with adequate artificial light.
8. Do not cross roads or gravel paths while the unit is still running.
9. When the grass trimmer is not in use, store it in a dry place and out of the reach of children.
10. The grass trimmer must be operated in a vertical position, perpendicular to the ground.
11. Check regularly that all screws are properly secured.
12. Never pass the grass trimmer over the extension cord when the grass trimmer is in use as this could cut the cord. Make sure you know where the cord is at all times.

13. Never use the grass trimmer when it is raining or when excessively moist and humid conditions are present. Do not cut damp grass or leave the tool outside overnight.
14. If the grass trimmer strikes a foreign object or becomes entangled with it, stop the tool immediately. Unplug it, check for damage, and have any damage repaired before proceeding with operation. Do not operate the tool with a broken hub or spool.

## Specific Safety Warnings for Garden Tiller

1. Always inspect the area where the tiller is to be used. Remove all objects (e.g., stones, sticks, wires and foreign objects) that could be thrown by the blades or cause the operator to trip.
2. Thrown objects can cause serious injury to the eyes and exposed body. Always wear safety glasses or eye shields during operation and while performing an adjustment or repair.
3. Always operate garden tiller wearing adequate garments. Do not wear jewelry or other loose clothing, which could become entangled in moving parts. Wear footwear that provides sure footing.
4. Keep people, pets and property at least 25 feet from the garden tiller while it is in operation. Stop the garden tiller if people or pets enter the discharge area.
5. Never attempt to make any adjustments while the motor is running.
6. Contact with the rotating parts can amputate hands and feet. Do not put hands or feet near rotating parts.
7. Exercise extreme caution when operating on or crossing gravel drives, walks, or roads. Stay alert for hidden hazards or traffic.
8. Always plan your cultivating pattern to avoid discharge of material toward people, pets and property. Thrown objects can cause serious personal injury.
9. Hold onto the garden tiller with both hands during operation. Ensure the grips are dry.
10. After striking a foreign object, stop the motor, thoroughly inspect the garden tiller for any damage, and repair the damage before restarting and operating the garden tiller. Disconnect the cord on electric motors.
11. Exercise caution to avoid slipping or falling.
12. Observe any noise-prevention regulations and laws.
13. If the garden tiller should start to vibrate abnormally, stop the motor and check immediately for the cause. Vibration is generally a warning sign of trouble.
14. Disengage all controls, stop the motor and wait until the blades come to a complete stop when leaving the operating position, before unclogging the blades and when making any repair, adjustments and inspections.
15. Before cleaning, repairing, or inspecting, shut off the motor and make certain all moving parts have stopped. Disconnect the cord on electric motors.
16. Never operate the garden tiller without proper guard, plates, or other safety protective devices in place.
17. Do not overload the garden tiller capacity by attempting to cultivate too deep at too fast a rate.
18. Never operate the garden tiller at high transport speeds on hard or slippery surfaces.
19. Be careful when cultivating in hard ground. The blades may catch in the ground and propel the garden tiller forward. If this occurs, let go of the handlebars and do not restrain the garden tiller.
20. Use extreme caution when reversing or pulling the garden tiller towards you.
21. Switch on the motor carefully according to instructions and with feet well away from the blades.
22. Never pick up or carry the garden tiller while the motor is running.
23. Inspect the garden tiller for worn, missing or damaged parts and safety labels. See maintenance section for detailed instructions.
24. Exercise caution when changing direction and operating on slopes. Always keep feet and legs a safe distance away from the machine. Look for hidden obstacles or hazards.
25. Do not grasp the exposed cutting blades or cutting edges when picking up or holding the appliance.
26. Always turn the tiller OFF and disconnect the electrical power when there is a work stoppage or changing work areas. Never leave the machine running when unattended.
27. The blades will continue to rotate for a short period after turning the tiller OFF. Wait until the blades have completely stopped before lifting the machine or conducting inspection and maintenance.
28. The motor housing remains hot for a short period after the machine is turned OFF. Allow the motor housing to cool off before touching or storing near combustible material.
29. Regularly check the following:
  - i) Accumulation of debris around the blades could cause a poor performance or damage to the motor. Inspect and clean before every use.
  - ii) Safety devices are operating properly. Do not tamper with or adjust safety devices.
  - iii) Bolts and screws for proper tightness. Visually inspect machine for any damage and that the tiller is in safe working condition.
  - iv) Always replace damaged parts with original equipment manufacturer's (OEM) parts only. Replacement parts that do not meet the original equipment specifications may lead to improper performance and compromise safety.

# Electric Safety

1. Ground fault circuit interrupter (GFCI) protection should be provided on the circuit(s) or outlet(s) to be used for this power tool. Receptacles are available having built-in GFCI protection and may be used for this measure of safety.
2. To reduce the risk of electric shock, this appliance has a polarized plug (i.e. one blade is wider than the other). Use this appliance only with a polarized UL-, CSA-, or ETL-listed extension cord recommended for outdoor, all-weather use.

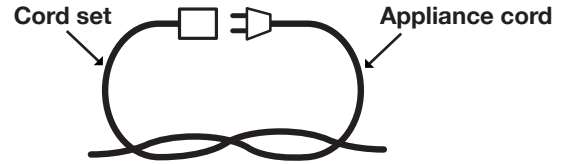
The appliance plug will fit into a polarized extension cord only one way. If the appliance plug does not fit fully into the extension cord, reverse the plug. If the plug still does not fit, obtain a correct polarized extension cord. A polarized extension cord will require the use of a polarized wall outlet. The extension cord plug will fit into the polarized wall outlet only one way. If the plug does not fit fully into the wall outlet, reverse the plug. If the plug still does not fit, contact a qualified electrician to install the proper wall outlet. Do not modify the appliance plug, extension cord receptacle, or extension cord plug in any way.

3. To prevent electric shock, use only with an extension cord suitable for outdoor use, such as SW-A, SOW-A, STW-A, STOW-A, SJW-A, SJOW-A, SJTW-A, or SJTOW-A.

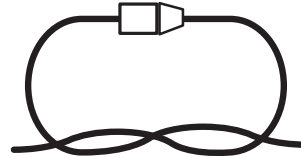
Before use, check that the extension cord is in good condition. When using an extension cord, make sure to use one heavy enough to carry the current product. For lengths more than 50 ft (15 m), a No. 14 AWG (or greater) extension cord should be used. An undersized cord will cause a drop in line voltage resulting in loss of power and overheating.

4. To prevent the appliance cord from disconnecting from the extension cord during operation, use the onboard extension cord restraint hook and/or make a knot with the two cords as shown in Table 1.

**Table 1. Method of Securing Extension Cord**



**(A) Tie cord as shown**



**(B) Connect plug and receptacle**

5. Power tool plugs must match the outlet. Never modify the plug in any way. Do not use any adapter plugs with earthed (grounded) power tools. Unmodified plugs and matching outlets will reduce risk of electric shock.
6. Avoid body contact with earthed or grounded surfaces, such as pipes, radiators, ranges and refrigerators. There is an increased risk of electric shock if your body is earthed or grounded.
7. If the supply cord is damaged, it must be replaced by an electrician or a power tool repairer.
8. When operating a power tool outdoors, use an extension cord suitable for outdoor use. Use of a cord suitable for outdoor use reduces the risk of electric shock.
9. If operating a power tool in a damp location is unavoidable, use a residual current device (RCD) protected supply. Use of an RCD reduces the risk of electric shock.
10. Have your tool repaired by an electrician or a qualified service center. This power tool complies with relevant safety requirements. To avoid danger, electrical appliances must only be repaired by qualified personnel using original spare parts; otherwise this may result in considerable damage to the user.

⚠
WARNING
⚠

**Electric shock may cause SEVERE INJURY or DEATH. Heed these warnings:**


- Do not allow any part of the power tool to make contact with water while it is in operation. If the appliance becomes wet while turned off, wipe dry before starting.
- Use only a UL-, CSA- or ETL-rated extension cord for outdoor, all-weather use.
- Do not use an extension cord over 100 ft (30 m).
- Do not touch the appliance or its plug with wet hands or while standing in water. Wearing rubber boots offers some protection.

**EXTENSION CORD CHART**

Extension Cord Length	Up to 50 ft (15 m)	+50 ft - 100 ft (+15 m - 30 m)
Wire Gauge (A.W.G.):	16	14



## Double-Insulated Appliances

In a double-insulated appliance, two systems of insulation are provided instead of grounding. No grounding means is provided on a double-insulated appliance, nor should a means for grounding be added to the appliance. Servicing a double-insulated appliance requires extreme care and knowledge of the system, and should be performed only by qualified service personnel at an authorized Snow Joe® + Sun Joe® dealer. Replacement parts for a double-insulated appliance must be identical to the parts they replace. A double-insulated appliance is marked with the words “Double Insulation” or “Double Insulated.” The symbol  (square within a square) may also be marked on the appliance.










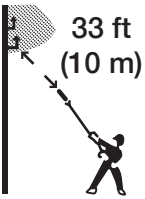


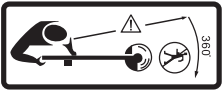



**DOUBLE-INSULATED: GROUNDING NOT REQUIRED. WHEN SERVICING, USE ONLY IDENTICAL REPLACEMENT PARTS.**

This power tool is double-insulated, eliminating the need for a separate grounding system. Use only identical replacement parts. Read the instructions before servicing double-insulated appliances. Use this electric tool only as described in this manual.

# Safety Symbols

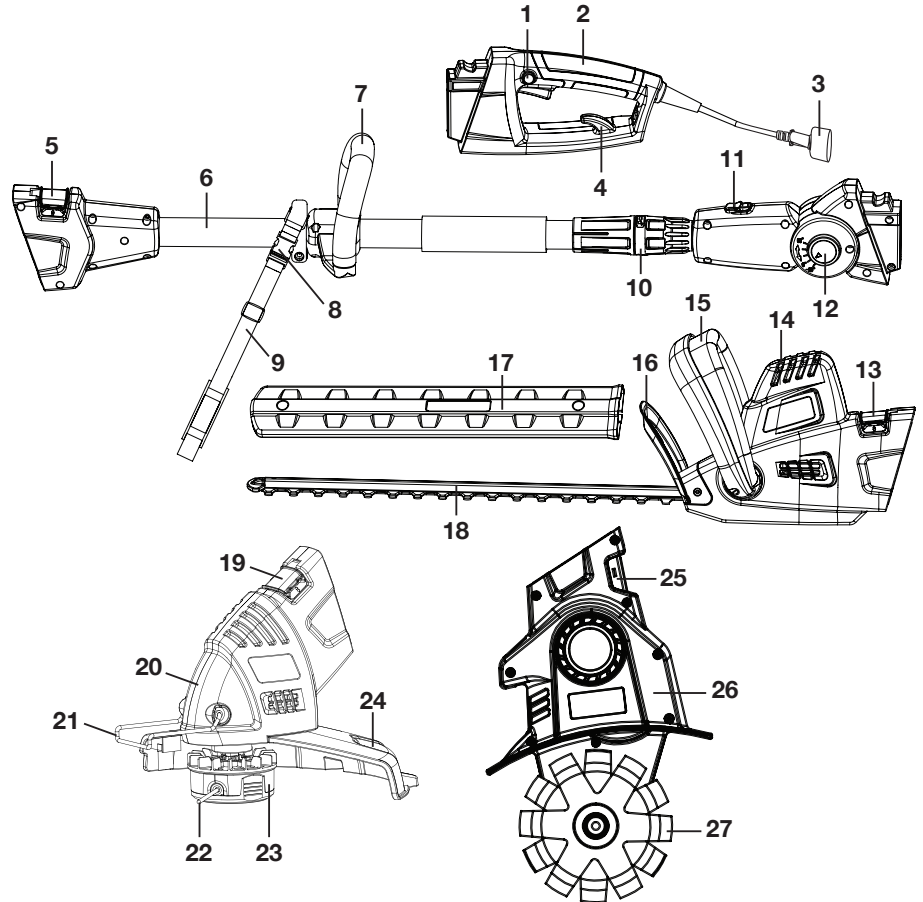
The following table depicts and describes safety symbols that may appear on this product. Read, understand, and follow all instructions on the machine before attempting to assemble and operate.

Symbols	Descriptions	Symbols	Descriptions
	<b>READ THE OPERATOR'S MANUAL(S)</b> – Read, understand and follow all instructions in the user manual(s) before attempting to assemble and operate.		Wear eye protection, breathing protection and ear protection (i.e. safety goggles, dust masks and ear defenders).
	<b>SAFETY ALERT</b> – Indicates a precaution, a warning or a danger.		<b>WARNING!</b> Do not expose the unit to rain or wet conditions.
	<b>WARNING!</b> Keep electrical extension cord away from blades.		<b>WARNING!</b> Rotating parts may cause serious injury. Make sure the blades come to a complete stop before transporting the machine or before inspecting, cleaning or conducting any other maintenance.
	Wear protective gloves and non-slip footwear when using the machine and handling debris.		<b>DANGER! ROTATING BLADES</b> – Keep hands and feet away from openings while the machine is running.
	Beware of foreign objects that could be thrown from the appliance. Keep bystanders a safe distance away from the work area.		<b>WARNING! SHOCK HAZARD</b> – Keep at least 33 ft (10 m) away from power lines. Do not overreach. Keep proper footing and balance at all times.
	<b>SWITCH OFF!</b> Remove plug from the outlet before cleaning or conducting maintenance checks.		<b>SWITCH OFF!</b> Remove plug from the outlet immediately if the cord is damaged or cut.
	<b>DANGER!</b> Beware of thrown objects to bystanders. Keep bystanders at least 15 m (50 ft) away from the machine.		<b>DOUBLE INSULATION</b> – When servicing, use only identical replacement parts.

# Know Your Lawn + Garden Multi-Tool System

Read the owner's manual and safety instructions carefully before operating the hedge trimmer, pole hedge trimmer, grass trimmer and garden tiller. Compare the illustration below to the power tool in order to become familiar with the location of the various controls and adjustments. Save this manual for future reference.

1. Safety lock button
2. Rear handle
3. Appliance cord
4. Cord restraint hook
5. Quick-release button
6. Telescoping pole
7. Auxiliary handle
8. Shoulder strap buckle
9. Shoulder strap
10. Telescoping locking coupler
11. Handle pivot latch
12. Angle adjust button
13. Quick-release button
14. Hedge trimmer cutting head
15. Hand safety switch
16. Hedger safety guard
17. Blade cover
18. Hedge trimmer cutting blade
19. Quick-release button
20. Grass trimmer cutting head
21. Flower guard
22. Trimmer line
23. Spool
24. Trimmer safety guard
25. Quick-release button
26. Garden tiller head
27. Tiller blade



## Technical Data

Rated Voltage	120 V ~ 60 Hz	<b>Grass Trimmer</b>	
Telescoping Pole	3.8 ft to 5.9 ft (1.16 m to 1.8 m)	Power	3 amp
Overhead Reach	Up to 13 ft (4 m)	Cutting Swath	12 in. (30.5 cm)
Multi-Angle Head	-20°, 0°, 20°, 40°, 60°	Spool Length	26.3 ft (8 m)
<b>Hedge Trimmer</b>		No Load Speed	7500 rpm
Power	4.5 amp	Spool Advance	Auto-feed
No Load Speed	1600 rpm	Line Diameter	0.063 in. (1.6 mm)
Blade Movement	Dual-action	Trimmer Weight	7 lbs (3.2 kg)
Blade Material	Rust-resistant steel	<b>Garden Tiller</b>	
Blade Length	19 in. (48 cm)	Power	3.5 amp
Cutting Diameter (Max)	0.7 in. (1.8 cm)	No Load Speed	300 rpm
Hedge Trimmer Weight	6.2 lbs (2.8 kg)	Rotor	4 steel tilling blades
Pole Hedge Trimmer Weight	9.5 lbs (4.3 kg)	Cultivating Width (Max)	6.1 in. (15.5 cm)
		Cultivating Depth (Max)	6 in. (15 cm)
		Tiller Weight	11.3 lbs (5.1 kg)

# Unpacking

## Carton Contents

- Hedge trimmer cutting head with blade cover
- Grass trimmer cutting head with flower guard
- Safety guard
- Garden tiller head
- Auxiliary handle
- Telescoping pole
- Rear handle
- Manual with registration card

1. Carefully remove the product and any accessories from the box and check to see that all of the above items are supplied.
2. Inspect the product carefully to make sure no breakage or damage occurred during shipping. If you find damaged or missing parts, DO NOT return the unit to the store. Please call the Snow Joe® + Sun Joe® customer service center at 1-866-SNOWJOE (1-866-766-9563).

**NOTE:** Do not discard the shipping carton and packaging material until you are ready to use the lawn + garden multi-tool system. The packaging is made of recyclable materials. Properly dispose of these materials in accordance with local regulations or save the packaging for long-term product storage.

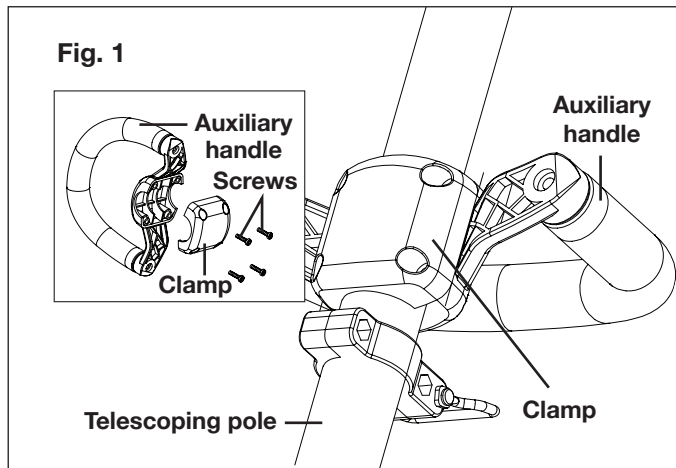
**IMPORTANT!** The equipment and packaging material are not toys. Do not let children play with plastic bags, foils, or small parts. These items can be swallowed and pose a suffocation risk!

## Pole/Hedge Trimmer

## Assembly

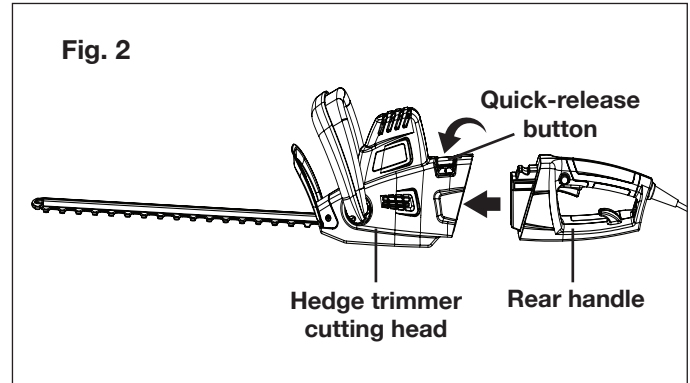
### Handle Assembly

1. Clamp the auxiliary handle with the telescoping pole using the 4 screws, as shown (Fig. 1).



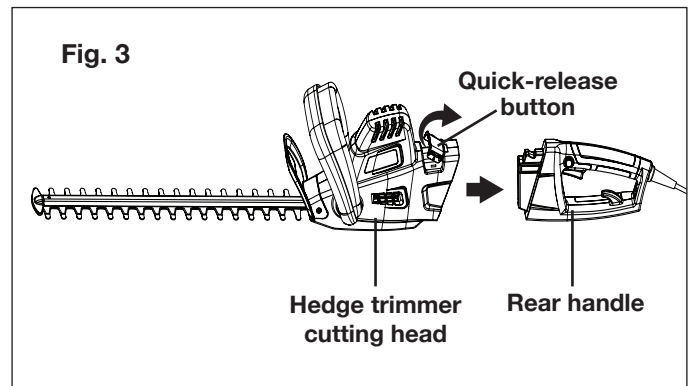
### Fitting the Hedge Trimmer

1. Insert the rear handle directly into the hedge trimmer cutting head. When fully inserted, press down the quick-release button. Make sure the button snaps in firmly and securely, locking the parts together (Fig. 2).

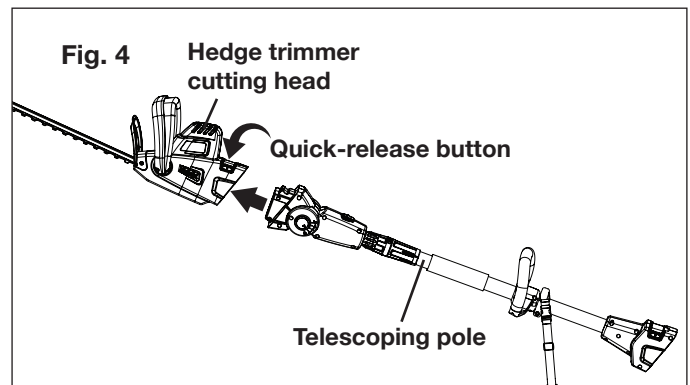


### Converting from Hedge Trimmer to Pole Hedge Trimmer

1. Lift the quick-release button. Pull to remove the rear handle from the hedge trimmer cutting head (Fig. 3).



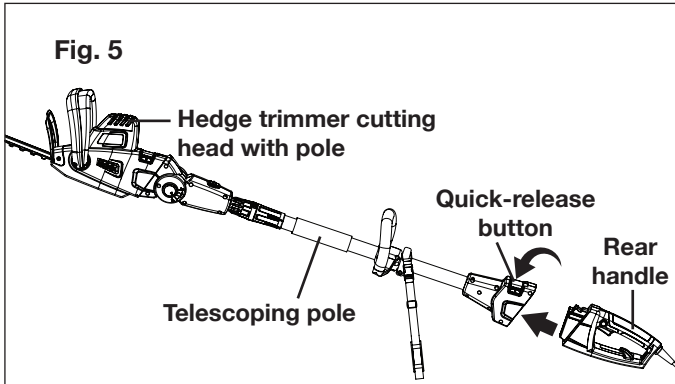
2. Insert the telescoping pole into the hedge trimmer cutting head. Press down on the quick-release button to lock it into position (Fig. 4).



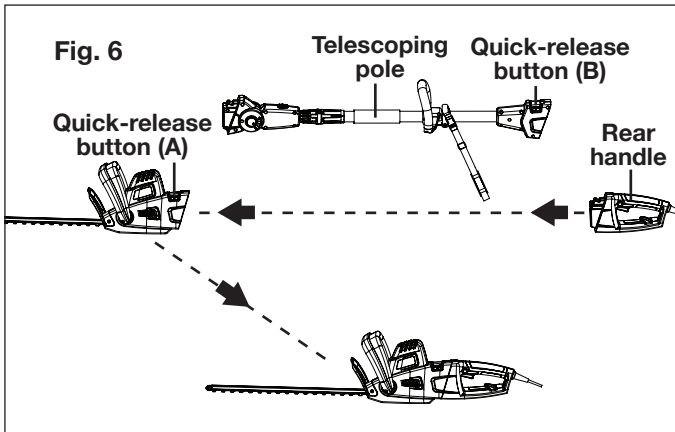
3. Insert the rear handle into the end of the telescoping pole (Fig. 5).



- Press down the quick-release button. Ensure the release button snaps firmly into position to lock the handle securely (Fig. 5).



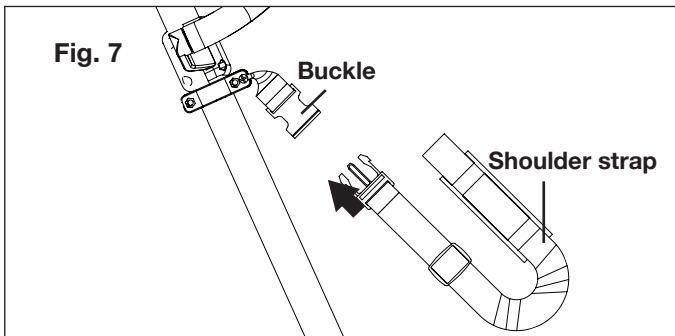
- To convert back to the hedge trimmer, disconnect rear handle and cutting head from ends of telescoping pole by lifting the quick-release buttons A and B and pulling straight out. Then re-insert the rear handle directly into the hedge trimmer cutting head (Fig. 6).



## Attaching the Shoulder Strap

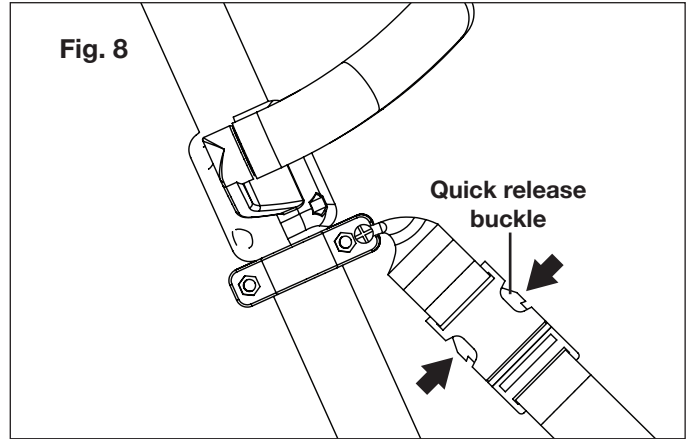
**⚠️ WARNING!** Always attach the shoulder strap from the unit before starting motor. Use the shoulder strap to help support the trimmer while in use; do not carry the pole hedge trimmer with only your hands.

- Wear the shoulder strap over the left shoulder so that the hook stays at your right hand side.
- Fasten the shoulder strap to the buckle on the pole (Fig. 7).



- Adjust the length of the strap to attain a comfortable working position.

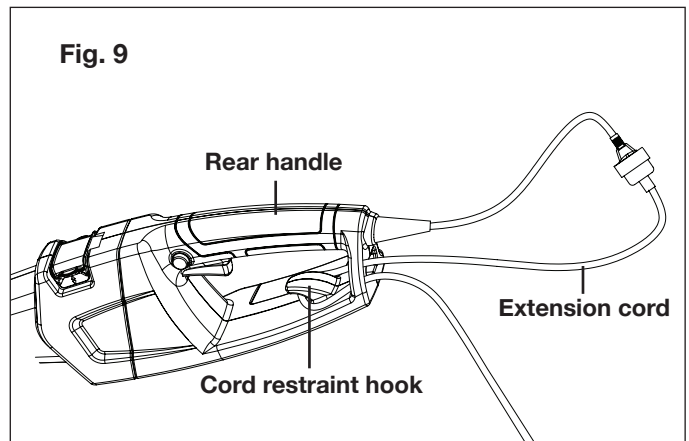
**⚠️ WARNING!** The buckle is provided with a means of quick release which can be accomplished by simply squeezing the sides of the buckle (Fig. 8).



## Operation

### Connecting to Power Supply

- Make a loop in the extension cord and push it up through the hole in the rear handle and around the cord restraint hook, then connect the extension cord to the appliance cord (Fig. 9).



### Starting the Pole/Hedge Trimmer

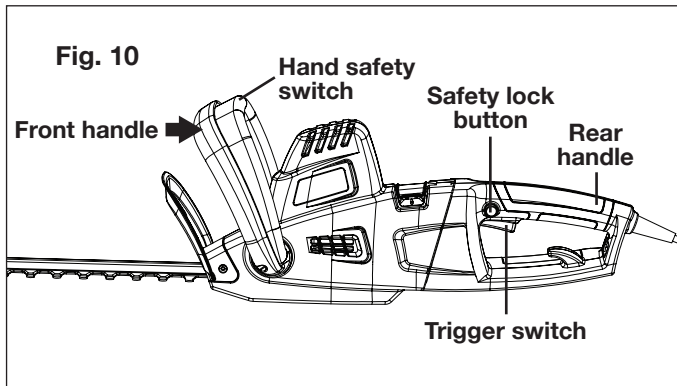
Before operating the pole/hedge trimmer, stand in the operating position and hold the tool with both hands so that the cutting blades are always away from your body.

**⚠️ WARNING!** Before you start the tool, make sure the pole/hedge trimmer is not contacting any object.

**⚠️ WARNING!** You are wearing all of the necessary personal protective equipment, including protective gloves, non-slip footwear, safety goggles, ear defenders, and close-fitting clothing.

### To start the hedge trimmer:

1. Hold the hedge trimmer firmly with both hands. Your right hand is slightly bent and is holding the rear handle, and your left hand is straight and is holding the front handle.
2. Press and hold the hand safety switch located on the front handle (Fig. 10).
3. With your right hand, press and hold safety lock button with your thumb, then squeeze the on/off trigger switch with your fingers. Once the tool powers on, you can release the safety lock button and proceed with operation (Fig. 10).

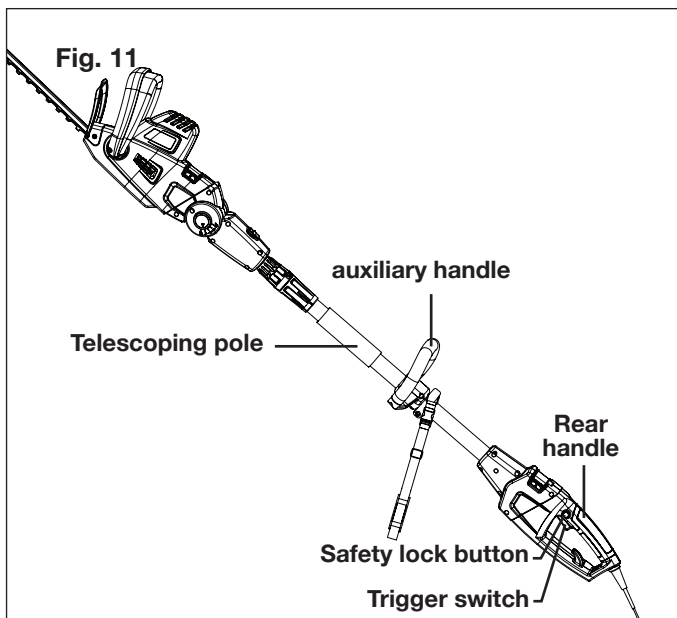


4. Release the trigger switch and the hand safety switch to stop the tool.

**NOTE:** Do not press the trigger switch until you are ready to make a cut.

### To start the pole hedge trimmer:

1. Hold the pole hedge trimmer firmly with both hands. Your right hand is holding the rear handle and your left hand is holding the telescoping pole or auxiliary handle depending on your preference.
2. Push and hold the safety lock button (located on the rear handle) with your thumb and then squeeze the trigger switch with your fingers. Once the tool is running, you can release the safety lock button (Fig. 11).



3. To turn the tool OFF, release the trigger switch (Fig. 11).

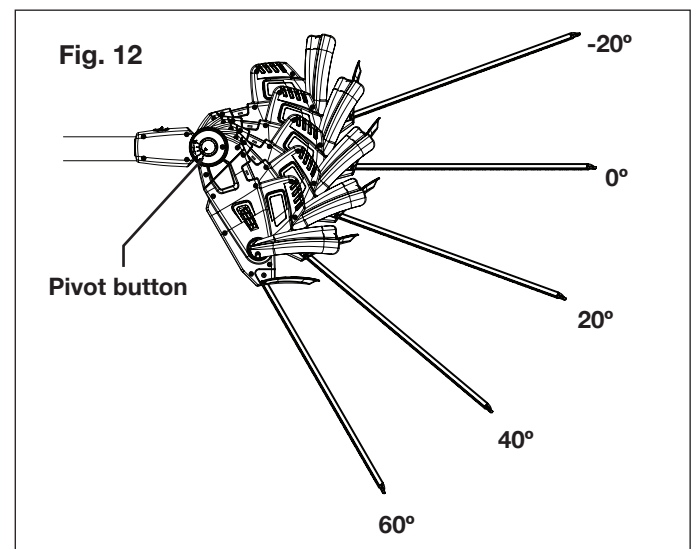
**NOTE:** Do not press the trigger switch until you are ready to make a cut.

**WARNING!** Blade continues operation after tool is turned off/trigger released.

### Adjusting Pole Hedge Trimmer Pivoting Head

The pole hedge trimmer head can be rotated into 5 different cutting angles.

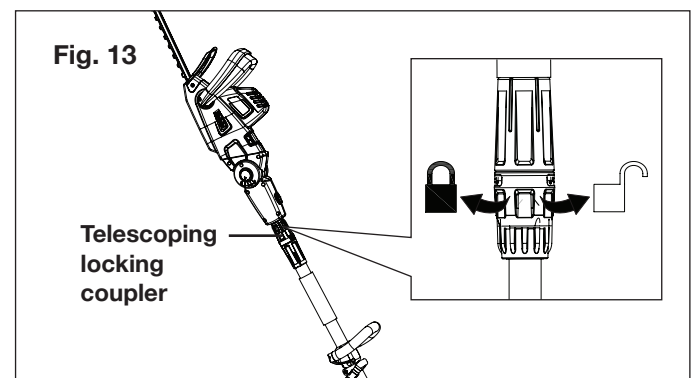
1. Always disconnect the pole hedge trimmer from the power supply.
2. Place the pole hedge trimmer on a sturdy flat surface.
3. Press the pivot button and adjust the trimmer head to the desired angle (Fig. 12).



### Extending the Telescoping Pole

The telescoping pole can be extended or shortened for ease of use.

1. Disconnect the pole hedge trimmer from the power supply.
2. Unlock the telescoping pole by turning the telescoping locking coupler clockwise (Fig. 13).



3. Extend the telescoping pole to a comfortable height (Fig. 14).

**NOTE:** Push poles toward each other to shorten the pole or pull them away from each other to lengthen the pole. Only extend the pole to the minimum length required to reach the hedges to be trimmed.

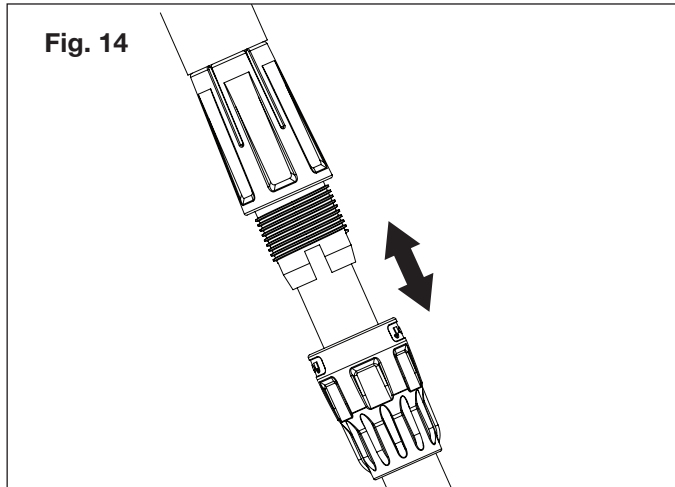


Fig. 14

4. Lock the pole in position by turning the collar counter-clockwise, and ensure that the pole is secure.

## Cutting Tips

**!WARNING!** Always hold the pole hedge trimmer with both hands. Never hold shrubs with one hand and operate pole hedge trimmer with the other. Failure to heed this warning can result in serious injury.

**!WARNING!** Clear the area to be cut before each use. Remove all objects such as cords, lights, wire, or loose string which can become entangled in the cutting blade and create a risk of serious personal injury.

- When operating the pole hedge trimmer, keep the extension cord behind the pole hedge trimmer. Never drape it over the hedge being trimmed.
- Do not force the pole hedge trimmer through heavy shrubbery. This can cause the blades to bind and slow down. If the blades slow down, reduce the pace.
- Do not attempt to cut stems or twigs that are larger than 3/4 in. thick, or those obviously too large to feed into the cutting blade. Use a non-powered hand saw or pruning saw to trim large stems.
- If blades do become jammed, stop the motor, allow the blades to stop, and disconnect the plug from the power source before attempting to remove the obstruction.
- If desired, you can use a string to help cut your hedge level. Decide how high you want the hedge. Stretch a piece of string along the hedge at the desired height. Trim the hedge just above the guide line of string. Trim the side of a hedge so that it will be slightly narrower at the top. More of the hedge will be exposed when shaped this way, and it will be more uniform.

- Wear gloves when trimming thorny or prickly growth. When trimming new growth, use a wide sweeping action, so that the stems are fed directly into the cutting blade. Older growth will have thicker stems and will be trimmed easiest by using a sawing movement.

## Using the Pole Hedge Trimmer

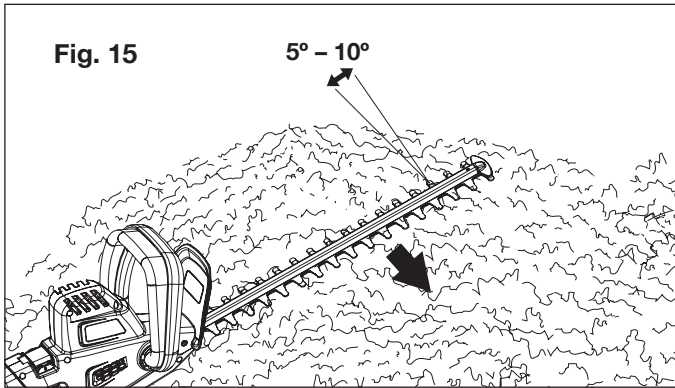
- Hold unit firmly with both hands. Always keep your left hand on the telescoping pole or auxiliary handle and your right hand on the rear handle. The unit is used for cutting in either direction in a slow, sweeping action from side to side.
- Stand so that you are stable and balanced on both feet.
- Inspect and clear the area of any hidden objects.
- To protect yourself from electrocution, do not operate within 33 feet (10 m) of overhead electrical lines.
- Never use the pole hedge trimmer near power lines, fencing, posts, buildings, or other immovable objects.
- Never use a blade after hitting a hard object without first inspecting it for damage. Do not use if any damage is detected.

## Cutting Procedures

**!WARNING!** Never cut near electric cords or power lines. If the blade jams on any electrical cable, **DO NOT TOUCH THE BLADE. IT CAN CONDUCT ELECTRICITY AND FATALLY SHOCK YOU!** Instead, continue to hold the hedge trimmer by the insulated rear handle, and lay it down and away from you in a safe manner. Make sure that electrical service to the damaged electrical cable is disconnected before attempting to free the hedge trimmer blade. Contact with the blade, other conductive parts of the hedge trimmer, or live electric cords or power lines will result in death by electrocution or serious injury.

**!WARNING!** Clear the area to be cut before each use. Remove all objects such as cords, lights, wire, or loose string which can become entangled in the cutting blade and create a risk of electric shock and serious personal injury.

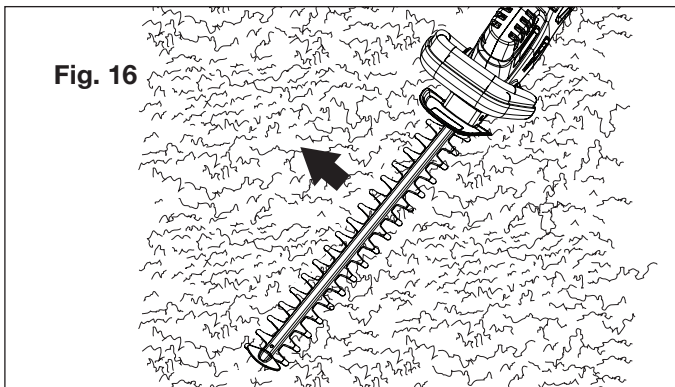
1. When trimming new growth, use a wide sweeping action so that the stems are fed directly into the blade. Do not try to cut branches that are thicker than 0.63 in. (16 mm) or those that are obviously too large to feed into the blade. Use lopping shears, a hand saw, or a pruning saw to cut out thick branches first. If a substantial cut is necessary, cut a little at a time in several passes. Cut both sides of the hedge first and then the top.
2. To perform a horizontal cut, hold the hedge trimmer with the blade tilted 5-10 degrees to your cutting object; this makes the operation easier and ensures a better cut (Fig. 15).



**Fig. 15**

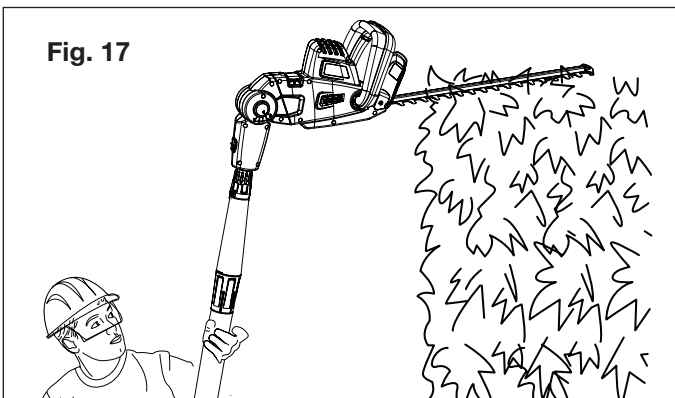
5° - 10°

3. To perform a vertical cut, start trimming at the bottom and sweep up for even cutting. Swing the blades in an arc towards the outsides of the hedge so that the cuttings are swept on the ground (Fig. 16).



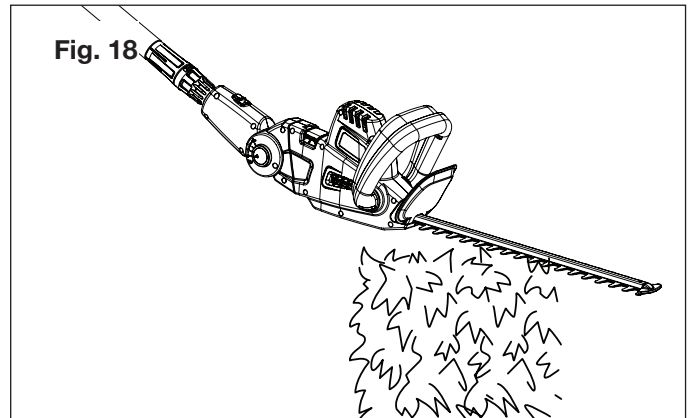
**Fig. 16**

4. To use the pole hedge trimmer for trimming tall, hard-to-read hedges or shrubs, hold the trimmer at the position shown below (Fig. 17). Pivot the power head to several different positions to shape or sculpt shrubs or hedges.



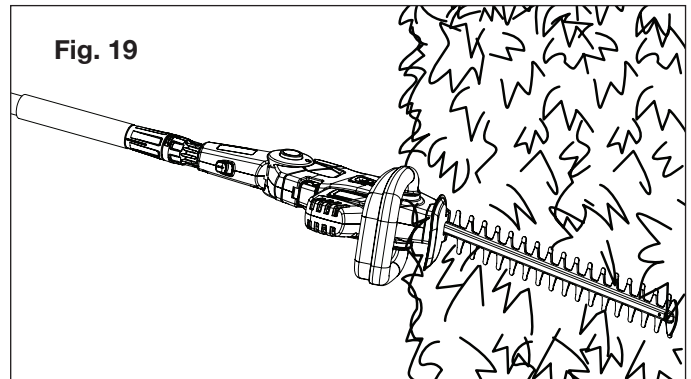
**Fig. 17**

5. To use pole hedge trimmer for trimming the bottoms and sides of hedges and shrubs, hold the pole trimmer at the position shown below (Fig. 18).



**Fig. 18**

6. To use pole hedge trimmer for trimming low-lying foliage or ground cover, hold the pole hedge trimmer at the position as shown below (Fig. 19).



**Fig. 19**

**⚠ CAUTION!** Do not use the pole hedge trimmer for cutting stems greater than 0.70" (1.8 cm) (or approximately 3/4 in. thick).

Use the pole hedge trimmer only for cutting normal shrubbery found around houses and buildings.

Do not force the pole hedge trimmer through dense growth. A slight back and forth sawing action may ease the cutting of larger, more dense growth. If the pole hedge trimmer begins to slow down, reduce the rate of speed at which you are trying to cut. If the pole hedge trimmer becomes jammed, immediately turn the trimmer off. Disconnect the plug from the power source and clear the jammed debris from the cutter blades.



## Care + Maintenance

**⚠ATTENTION!** Before performing any cleaning or maintenance, disconnect the unit from the power supply. Never touch the moving blades.

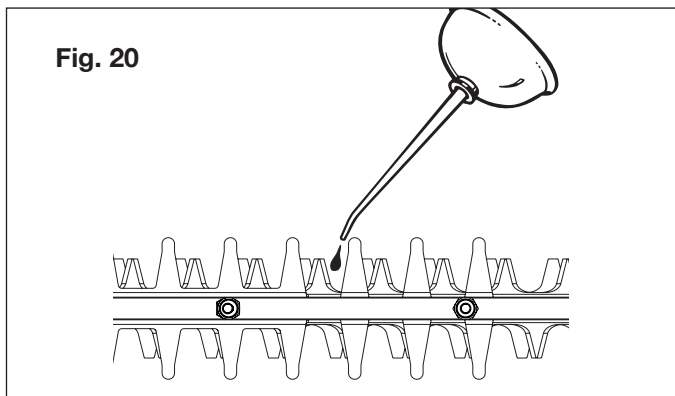
**⚠WARNING!** Never spray or clean the hedge shears with water.

1. Clean the hedge trimmer with a dry towel, particularly the ventilation slits, after each use, or use a brush in the event of heavy soiling. Spray the blades with lightweight machine oil after each use.
2. Store the pole/hedge trimmer in the blade cover provided and in a dry location out of the reach of children.
3. When servicing, use only identical replacement parts. Use of any other parts can create a hazard or cause product damage. Please contact an authorized Snow Joe® + Sun Joe® dealer or call the Snow Joe® + Sun Joe® customer service center at 1-866-SNOWJOE (1-866-766-9563) for all replacement parts and accessories for your product.

### Lubricate the Blades

For easier operation and longer blade life, lubricate the hedge trimmer blade before and after each use.

1. Stop the motor and disconnect the unit from the power supply.
2. Lay the pole/hedge trimmer on a flat surface. Apply lightweight machine oil along the edge of the top blade (Fig. 20). If you will be using the pole/hedge trimmer for an extended period, it is advisable to stop work intermittently in order to re-oil the blade.



**NOTE:** Do not oil while the pole/hedge trimmer is running.

### Sharpening the Blades

The blade must be re-sharpened if cutting performance and behavior begin to deteriorate (i.e. if blades frequently snag on branches).

1. Stop the motor and disconnect the unit from the power supply. Clamp the blade in a vise.
2. File the exposed cutting surface of each blade tooth with a smooth round file. Be sure to retain the original angle of the tooth when filing.
3. Remove the blade from the vise, and power on the motor until the unsharpened edges of the remaining blade teeth are exposed.
4. Disconnect the pole/hedge trimmer from the power supply and repeat the sharpening procedure as necessary.

**⚠WARNING!** Do not operate the pole/hedge trimmer with dull or damaged cutting blades. This may cause overload and will give unsatisfactory cutting results.

### Cleaning the Hedge Trimmer

1. Stop the motor and disconnect the unit from the power supply.
2. Clean dirt and debris from the body of the pole/hedge trimmer using a damp cloth and mild detergent.

**NOTE:** Do not use any strong detergents on the plastic housing or the handle. These parts can be damaged by certain aromatic oils such as pine and lemon, and by solvents such as kerosene.

### Storage

1. Always place the blade cover on the blade before storing or transporting the pole/hedge trimmer. Use caution to avoid the sharp teeth of the blade.
2. Clean the pole/hedge trimmer thoroughly before storing. Store the hedge trimmer indoors, in a dry place that is inaccessible to children. Keep away from corrosive agents such as garden chemicals and de-icing salts.

# Troubleshooting

Most difficulties are easy to fix. Consult the troubleshooting table for common problems and their solutions. If you continue to experience problems or need repairs beyond these minor adjustments, please call 1-866-SNOWJOE (1-866-766-9563) for assistance.

## Troubleshooting Table

<b>Problem</b>	<b>Possible Cause</b>	<b>Possible Solution</b>
<ul style="list-style-type: none"><li>• Unit does not run</li></ul>	<ul style="list-style-type: none"><li>• Extension cord not connected to the power plug</li><li>• Extension cord not connected to power source</li><li>• Hand safety switch not fully engaged</li></ul>	<ul style="list-style-type: none"><li>• Check extension cord is fully connected to tool</li><li>• Check extension cord is fully connected to a live receptacle</li><li>• Check safety switch is fully depressed prior to pressing trigger switch</li></ul>
<ul style="list-style-type: none"><li>• Slow running, noisy, or hot blades</li></ul>	<ul style="list-style-type: none"><li>• Dry, corroded blades</li><li>• Blades or blade support bent</li><li>• Bent or damaged teeth</li><li>• Loose blade bolts</li></ul>	<ul style="list-style-type: none"><li>• Lubricate blades</li><li>• Straighten blade or blade support</li><li>• Straighten teeth</li><li>• Tighten blade bolts</li></ul>

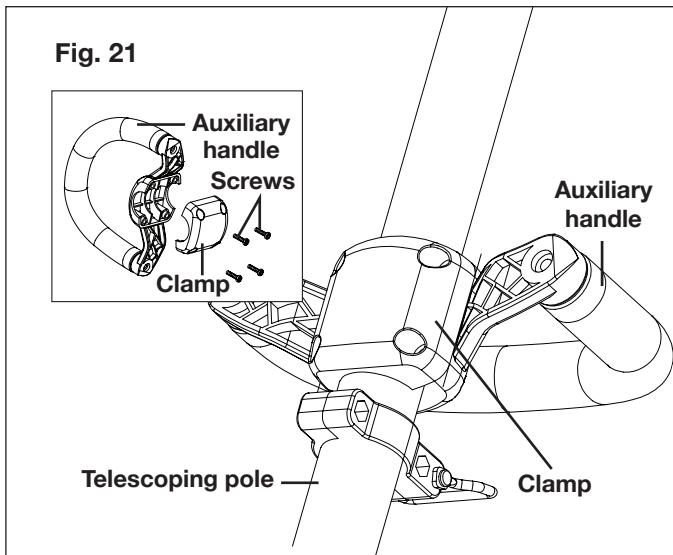
# Grass Trimmer

## Assembly

**⚠ WARNING!** Do not connect to power supply until assembly is complete. Failure to comply could result in accidental starting and possible serious personal injury.

### Handle Assembly

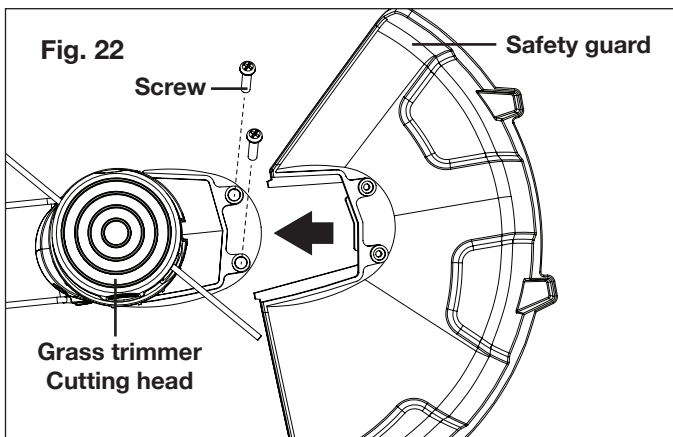
1. Clamp the auxiliary handle with the telescoping pole using the 4 screws, as shown (Fig. 21).



### Fitting the Safety Guard

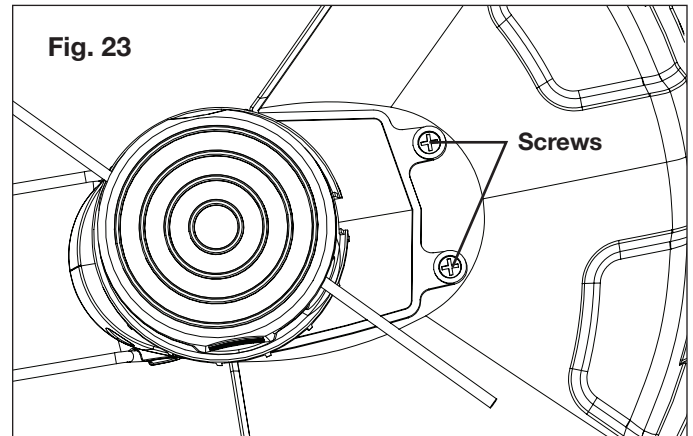
**⚠ WARNING!** The guard must be properly installed. The guard provides the operator and other bystanders with some protection from thrown objects.

1. Place the safety guard on the trimmer cutting head and align the mounting groove (Fig. 22).

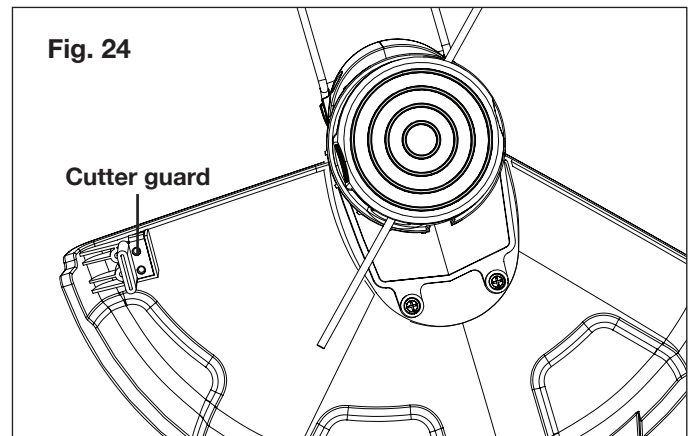


2. Firmly press the safety guard into place and secure it to the trimmer head with the two screws provided (Figs. 23).

**NOTE:** Never use the tool unless the safety guard is properly fitted.

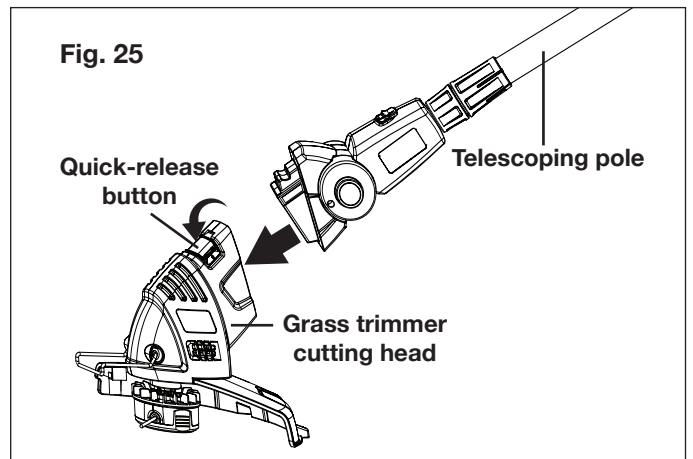


3. Make sure to remove the cutter guard cover from the line cutter before using (Fig. 24).

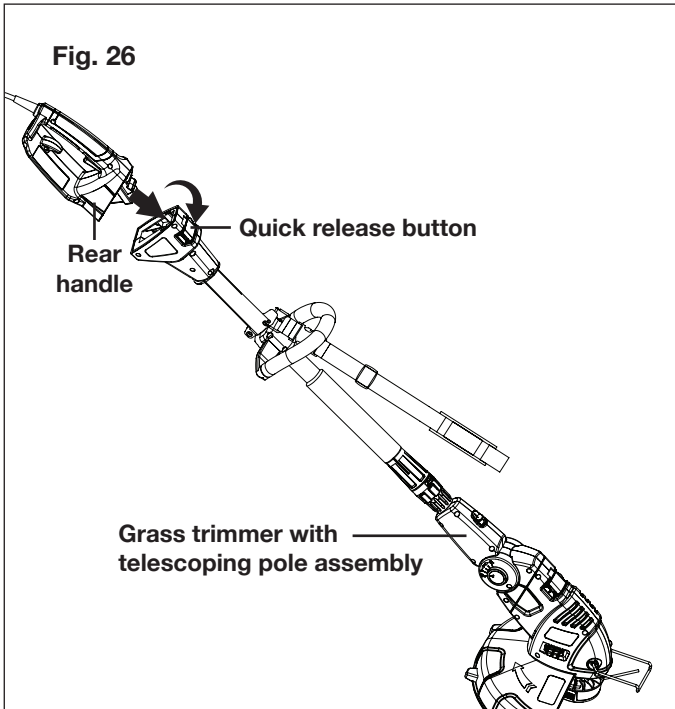


### Fitting the Grass Trimmer

1. Insert the telescoping pole into the grass trimmer cutting head. Press down on the quick-release button to lock it into position (Fig. 25).



2. Insert the rear handle into the end of the telescoping pole (Fig. 26).
3. Press down the quick release button. Ensure the release button snaps firmly into position to lock the handle securely (Fig. 26).

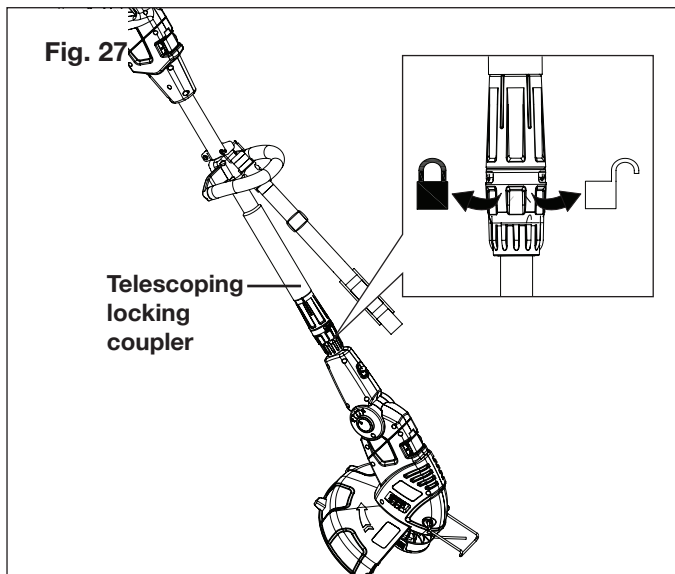


4. To remove, disconnect rear handle and cutting head from ends of telescoping pole by lifting the quick release button and pulling straight out.

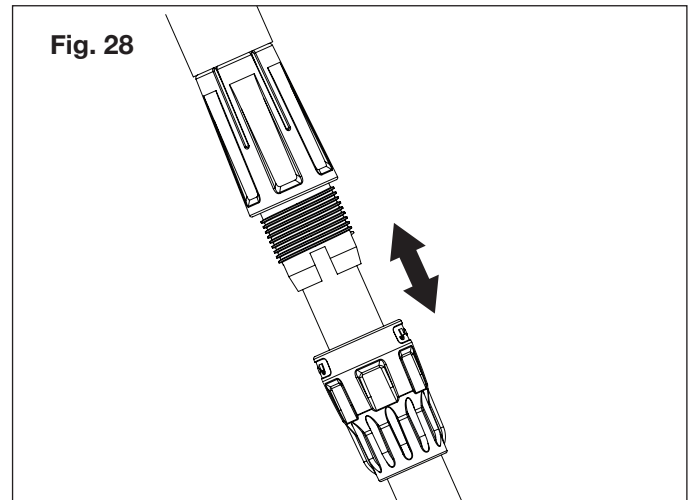
## Height Adjustment

The telescoping pole can be extended or shortened for ease of use.

1. Disconnect the grass trimmer from the power supply.
2. Unlock the telescoping pole by turning the telescoping locking coupler clockwise (Fig. 27).



3. Extend the telescoping pole to a comfortable height (Fig. 28).

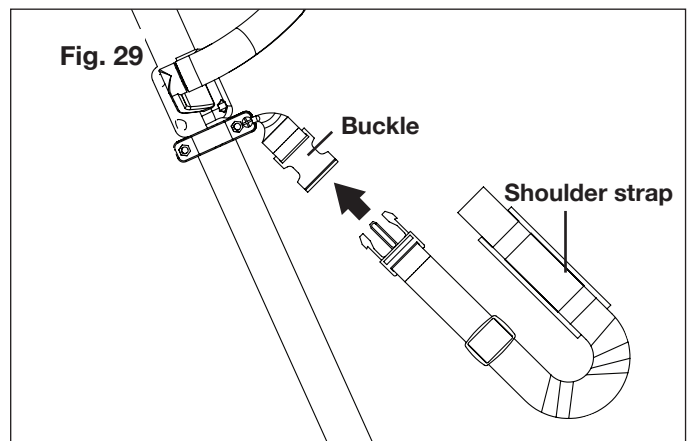


4. Lock the telescoping pole in position by turning the telescoping locking coupler counter-clockwise.

## Attaching the Shoulder Strap

**⚠ WARNING!** Always attach the shoulder strap from the unit before starting motor. Use the shoulder strap to help support the trimmer while in use; do not carry the trimmer with only your hands.

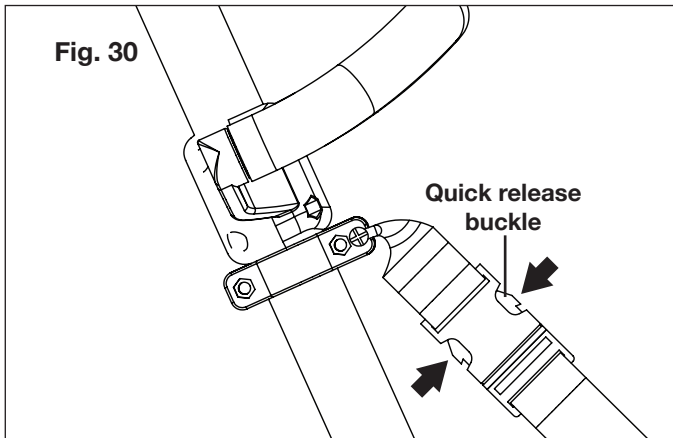
1. Wear the shoulder strap over the left shoulder so that the buckle stays at your right hand side.
2. Fasten the shoulder strap to the buckle on the pole (Fig. 29).



3. Adjust the length of the strap to attain a comfortable working position.



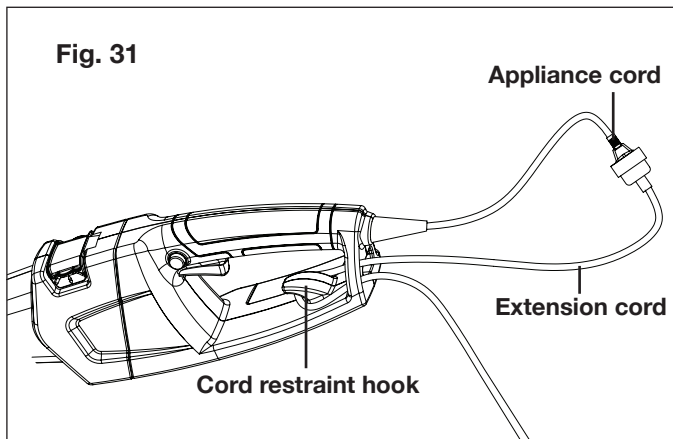
**⚠️ WARNING!** The buckle is provided with a means of quick release which can be accomplished by simply squeezing the sides of the buckle (Fig. 30).



## Operation

### Connecting to Power Supply

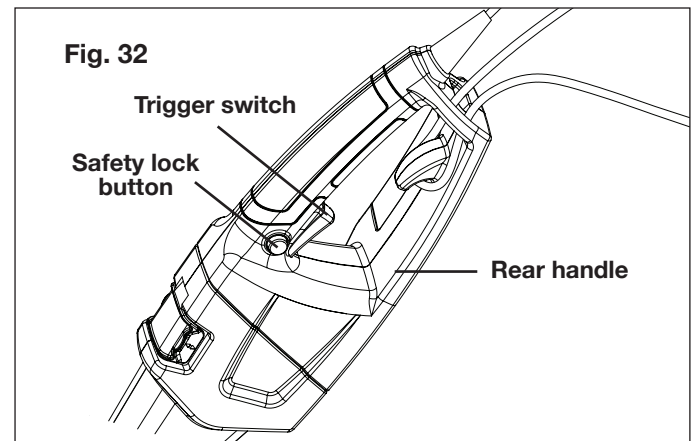
1. Only connect the electric grass trimmer to a working 120 V outlet using a heavy-duty outdoor extension power cord.
2. Make a loop in the extension cord and push it up through the hole in the handle and around the cord restraint hook, then connect the extension cord to the appliance cord (Fig. 31).



### Starting the Grass Trimmer

Before you start the grass trimmer, make sure the trimmer is not contacting any object.

1. To turn the grass trimmer ON, press and hold the safety lock button with your thumb, then squeeze the ON/OFF trigger switch with your fingers. Once the machine powers on, you can release the safety button and proceed with operation (Fig. 32).



### Trimming

- Wear non-slip gloves for maximum grip and protection.
- For the best cutting action against walls, fences, and in high grass, move the grass trimmer slowly so grass is cut with the tip of the high speed nylon line.
- Avoid dragging the grass trimmer and string spool hub in contact with the ground.
- Trim only when grass and weeds are dry.

**NOTE:** As the weather becomes cooler, the tendency for the nylon line to break becomes greater. **DO NOT USE WHEN TEMPERATURE IS BELOW 50°F (10°C).**

- Cut tall grass from top down. This will prevent grass from wrapping around the shaft housing and string head which may cause damage from overheating.
- If grass becomes wrapped around the string head:
  - Stop the grass trimmer.
  - Unplug the grass trimmer.
  - Remove the grass.
- Hold the grass trimmer with your right hand on the rear handle and your left hand on the front auxiliary handle. The grass trimmer should be held at a comfortable position with the rear handle about hip height.

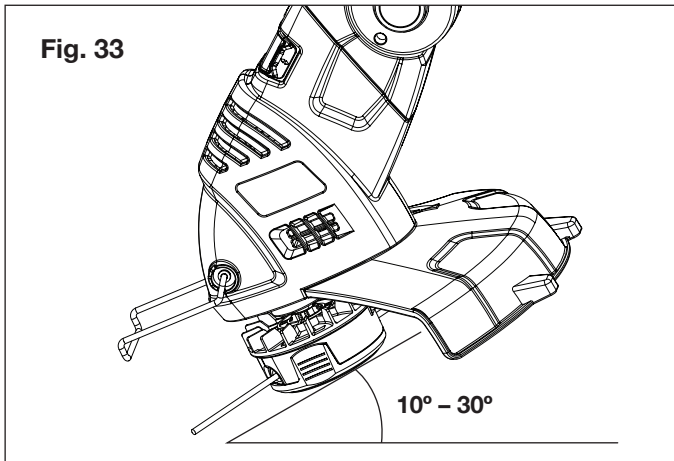
**⚠️ WARNING!** Always hold the trimmer away from body. Any contact with the grass trimmer cutting head while operating can result in serious personal injury.

- The life of your nylon line is dependent upon following instructions for proper use, as well as what is being cut, and where the cutting is being done.

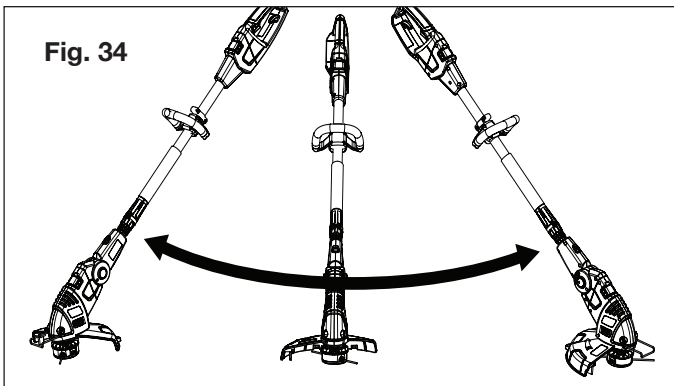
**⚠️ WARNING!** Remove stones, loose pieces of wood, and other objects from the cutting area. The string continues to rotate for a few seconds after switching off the trimmer. Let the motor come to a complete stop before resuming operation. Do not rapidly switch the trimmer off and on.

**⚠️ CAUTION!** Always wear eye protection.

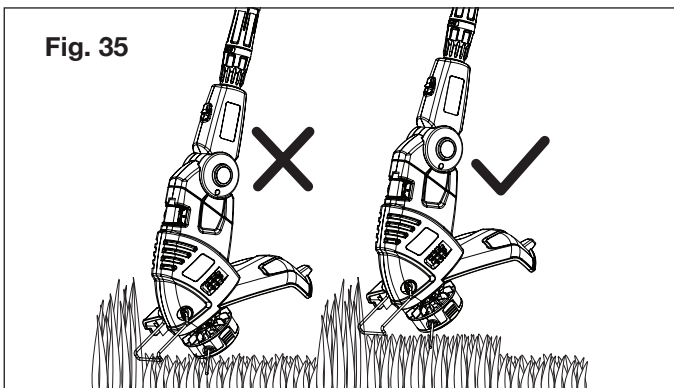
1. Hold the trimmer at an angle of approximately 10 – 30 degrees to the work area (Fig. 33).



2. Slowly swing the trimmer from side to side (Fig. 34).

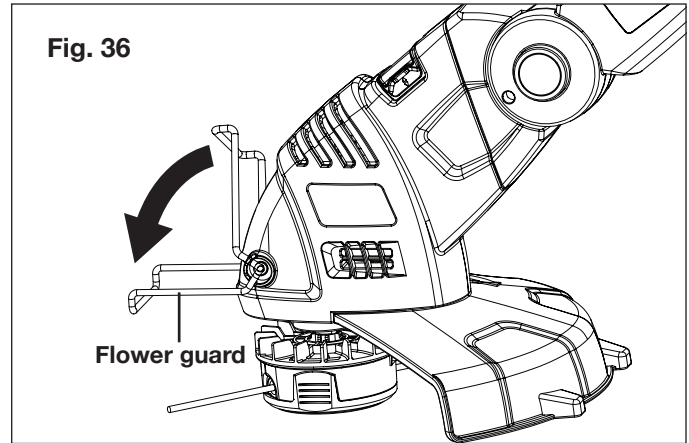


3. Do not overload your trimmer; instead, take small “bites” of grass, working from the top to the bottom. This will keep the machine operating at high speed and will greatly improve its cutting efficiency (Fig. 35).

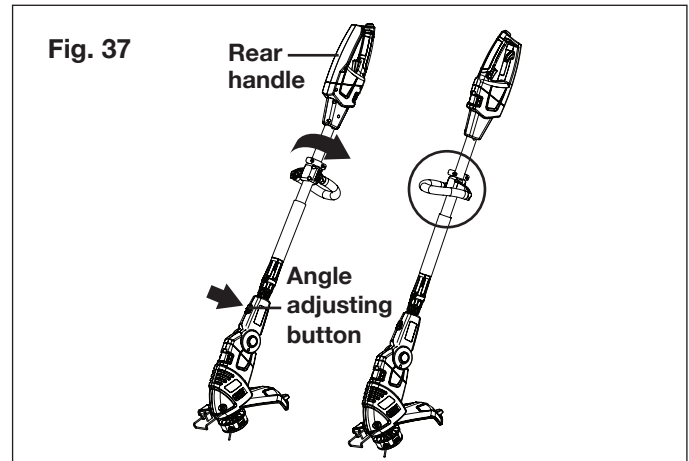


## Edging

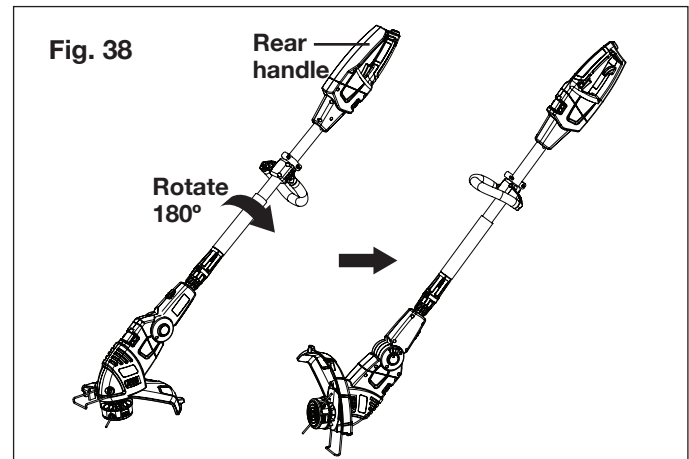
1. To convert for maintenance edging, turn OFF and unplug the tool.
2. To use the edger guide/ flower guard, flip it down from its stored position (Fig. 36).



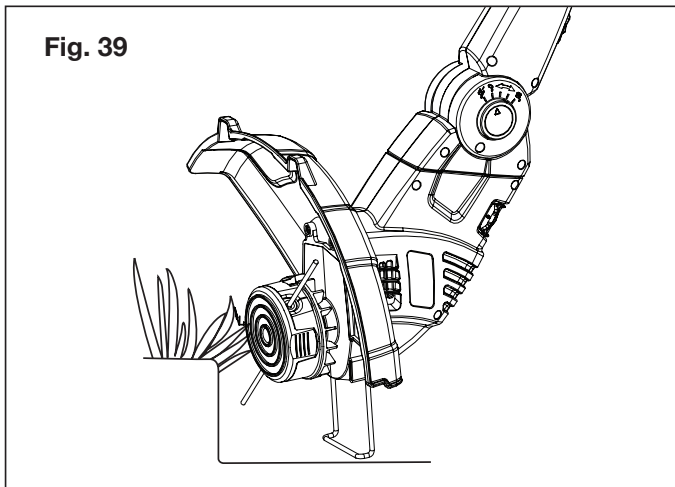
3. Push the angle adjusting button and at the same time use the other hand to turn the rear handle 180 degrees counter-clockwise and release (Fig. 37). The tool is locked in edger mode.



4. Rotate the whole unit 180 degrees. The tool is now ready to be used in edger mode (Fig. 38).



5. Use the edge of the guard as a guide when cutting near fences and walls (Fig. 39).



6. Move the edger in a backwards direction when trimming around edges to avoid damage.

**⚠ WARNING!** Do not trim near electrical wires.

## Advancing Lines

**NOTE:** Your trimmer uses 0.063 in. (1.6 mm) diameter nylon line to cut grass and weed quickly and easily. In time, the tip of the nylon line will become worn and the auto-feed mechanism will automatically feed and trim a fresh length of line. The cutting line will wear faster if the cutting is done along sidewalks or other abrasive surfaces or heavier weeds are being cut.

The grass trimmer is equipped with an auto-feed head. Bumping the head to try to advance the line will damage trimmer.

1. With the unit running, release the ON/OFF switch trigger.
2. Wait two seconds, and press the ON/OFF switch trigger.

**NOTE:** The lines will extend approximately 1/4 in. with each stop and start of the switch trigger until the lines reach the length of the safety guard.

3. Resume the trimming + edging.

**⚠ WARNING!** Do not operate the grass trimmer in a tree, on a ladder, or on a scaffold; this is extremely dangerous.

**⚠ WARNING!** Do not bump the unit on ground in attempt to feed line or for any other purpose.

## Maintenance

**⚠ WARNING!** Make sure to unplug your electric grass trimmer before inspecting its parts.

**⚠ WARNING!** Always wear protective gloves during maintenance tasks. Do not carry out maintenance when the motor is running or hot.

- Your trimmer line can dry out over time. To keep your line in top condition, store spare pre-wound spools or bulk line in a plastic resealable bag with a tablespoon of water.
- Never use water or chemical cleaners to clean your grass trimmer. Wipe it clean with a dry cloth.
- Plastic parts may be cleaned by using mild soap and a damp rag.
- Always store your grass trimmer in a dry place. Do not allow any liquid to get inside it.
- Keep the motor ventilation slots clean.
- If you see some sparks flashing in the ventilation slots, this is normal and will not damage your power tool.

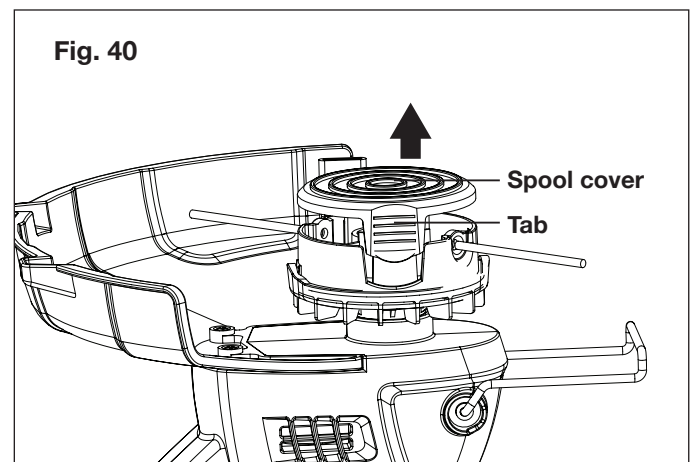
**IMPORTANT!** To ensure product safety and reliability, repairs, maintenance, and adjustments to this power tool should be performed only with identical replacement parts. Contact your authorized Snow Joe® + Sun Joe® dealer or call the Snow Joe® + Sun Joe® customer service center at 1-866-SNOWJOE (1-866-766-9563) for assistance.

## Replacing the Spool + Clearing Jams and Tangled Lines

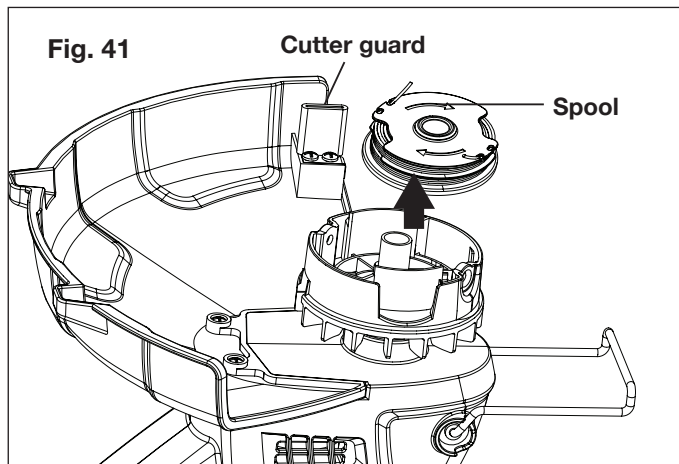
**⚠ WARNING!** Unplug the extension cord from the main power plug before changing the trimmer line.

**⚠ CAUTION!** Temporarily replace the line cutter guard to avoid injury.

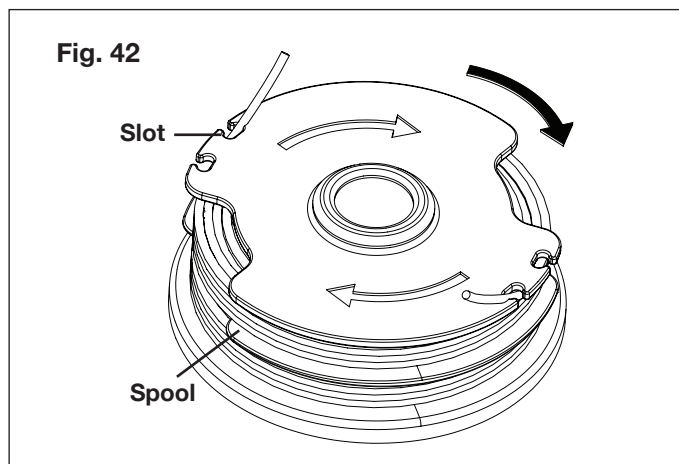
1. Press together both release tabs on the line spool cover and remove the cover by pulling it straight off (Fig. 40).



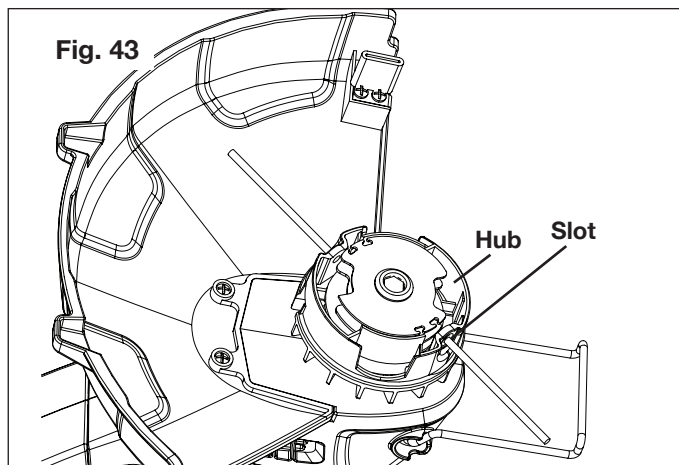
2. Lift and remove the spool out of the hub (Fig. 41) and clean out any dirt or grass residue.



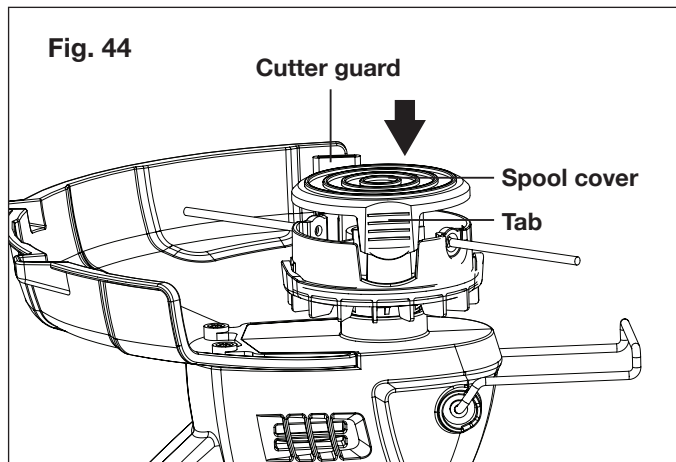
3. In case of jams or tangled line, unwrap about 6 inches (15 cm) of line to ensure that it's not damaged.
4. If it appears undamaged, rewind it and hook each line end through the two slots on each side of the spool (Fig. 42). This will temporarily prevent the spool from unwinding.



5. Unhook the line from the slot and carefully reinsert through its respective slot on each side of the hub and gently press the spool down (Fig. 43).



6. Reinstall the spool cover by depressing the release tabs into their slots in the hub, and push down until the spool cover clicks into place (Fig. 44).

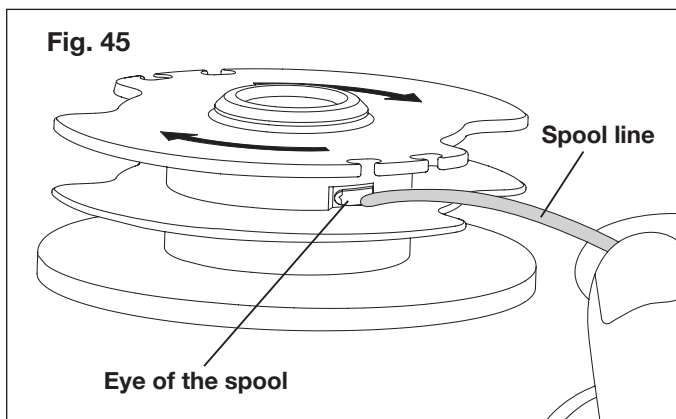


7. Remove line cutter guard to resume normal operation.
8. Connect the tool to a power source and turn the tool on. In a few seconds, you will hear the line being cut automatically to the proper length.

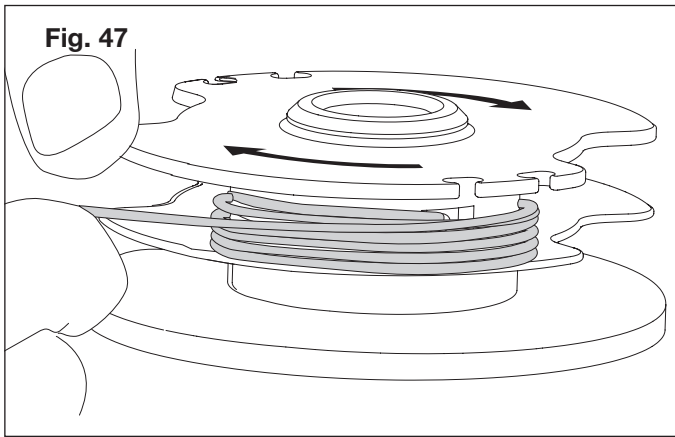
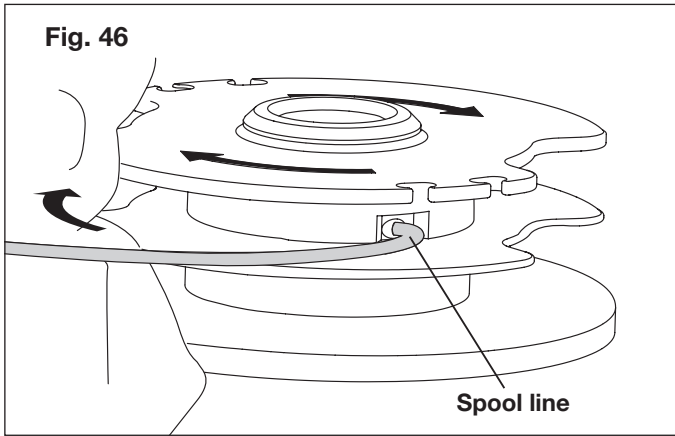
## Winding the Line

**NOTE:** A dual-line factory wound spool (model GTS4000E-RS-6PK) is available for easy spool replacement on the GTS4000E electric grass trimmer. Visit [snowjoe.com](http://snowjoe.com) to purchase this accessory online. Should you wish to wind the line yourself, the instructions are provided below. Self-winding, however, is **NOT** recommended because if the line is not wound properly it can cause the trimmer's auto feed system to malfunction. For this reason, users are strongly urged to purchase the pre-wound spool.

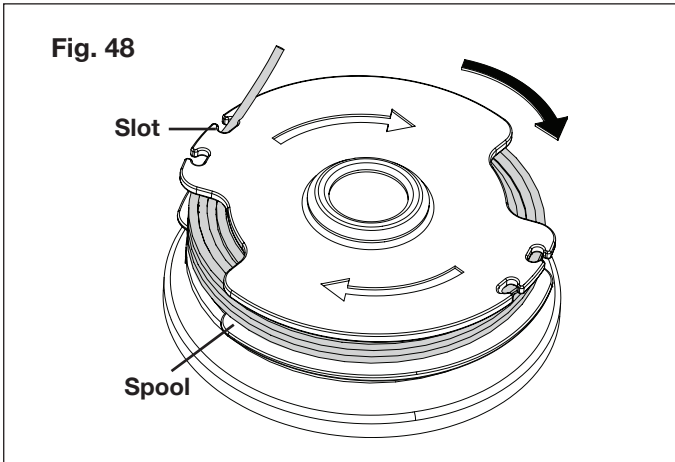
1. Unplug the grass trimmer.
2. To remove the spool from the trimmer hub, follow steps 1 and 2 from the section "Replacing the Spool + Clearing Jams and Tangled Lines" beginning on page 19.
3. Take two lines, each with maximum length of 13.1 ft. (4 m) and maximum diameter of 0.063 in. (1.6 mm) per slot. Insert the end of one line in one of the eyes of the spool and wind on the line according to the indicated direction of winding. Please make certain that the line is wound on evenly and tightly (Figs. 45 – 47).



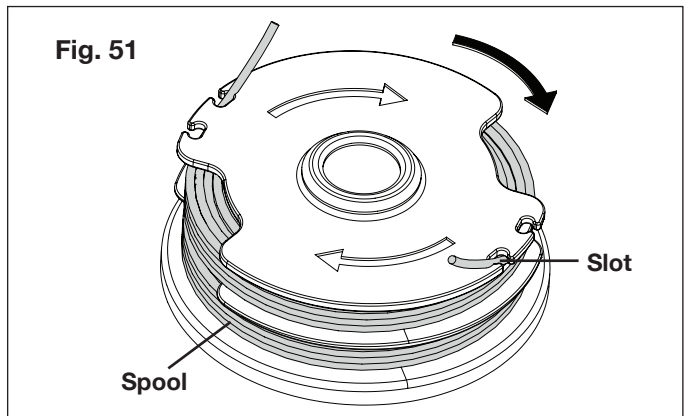
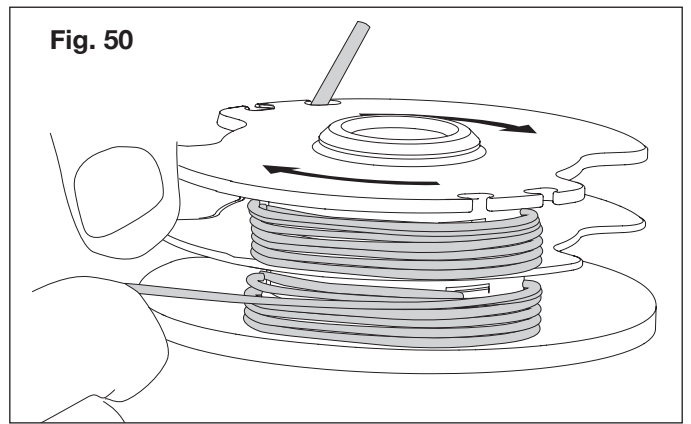
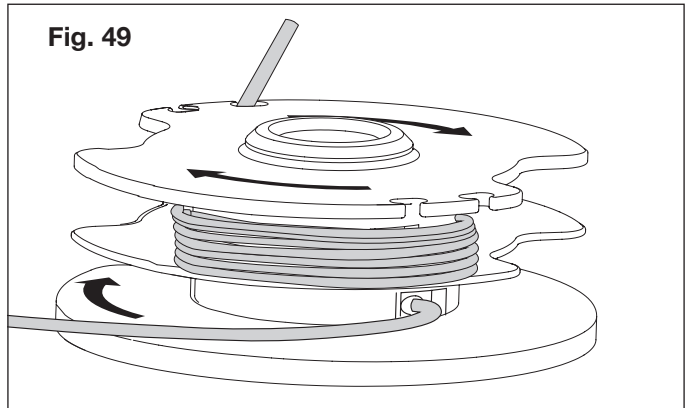




4. Hook the end of the line in one of the slots on the spool (Fig. 48).



5. Fill the second half of the spool by repeating step 3. Insert the end of the second line in the opposite side of the spool (Figs. 49 - 51), and begin winding.



6. Re-install the spool as instructed in steps 4 to 7 of "Replacing the Spool + Clearing Jams and Tangled Lines".

**CAUTION!** Catapulted pieces of nylon line may cause injury.

**NOTE:** The maximum recommended length of line in the spool is 26.3 ft (8 m), with 13.1 ft (4 m) per slot.

**⚠ WARNING!** Pay attention to the winding direction.

**NOTE:** Always replace the spool with a new pre-wound spool. Visit [snowjoe.com](http://snowjoe.com) to purchase the pre-wound spool (model GTS4000E-RS-6PK) for this electric grass trimmer.

**IMPORTANT:** Keep all areas of the cutting head and cutting head cover clean. Place the cap back by pushing it firmly onto the cutting head. To ensure that the cutting head cover is correctly fitted, try to remove it without depressing the two latches. If it is correctly fitted, it should not move.

## Storage

Follow these recommendations for storing the trimmer.

- Clean the grass trimmer thoroughly before storing.
- Store the grass trimmer in a stable and safe position out of the reach of children. Keep the trimmer in a dry place where the temperature is not too hot or too cold.
- When storing the grass trimmer, do not rest it against the floor. Hang it by the upper handgrip so that the guard does not touch anything. If the guard rests against a surface, its shape and dimensions could be permanently altered, and could render the machine unsafe to use.

## Troubleshooting

Problems	Possible Cause	Possible Solution
The motor does not run or the tool runs slowly.	<ul style="list-style-type: none"> <li>• Power failure/unit not plugged into a working receptacle.</li> <li>• Spool housing cannot rotate freely.</li> <li>• Cutting line does not protrude.</li> </ul>	<ul style="list-style-type: none"> <li>• Check to make sure the unit is plugged into a working outlet. Make sure the extension cord is not damaged.</li> <li>• Remove the spool and clean the slots; carefully remove any grass and weeds or other debris.</li> <li>• Cut the spool line off so that it just reaches the line trimming blade.</li> <li>• Take the trimmer to an authorized service center if the trimmer does not start after completing these checks.</li> </ul>
Auto line feed does not work.	<ul style="list-style-type: none"> <li>• Trimming blade bound with accumulated grass.</li> <li>• Auto feed out of line.</li> <li>• Spool bound up.</li> <li>• Auto feed is dirty.</li> <li>• Spool line twisted when refilled.</li> <li>• Not enough line is exposed.</li> </ul>	<ul style="list-style-type: none"> <li>• Stop the machine and clean the trimming blade.</li> <li>• Install a new spool of cutting line.</li> <li>• Clean the auto feed.</li> <li>• Remove the spool cover and pull the cutting line until it reaches the trimming blade.</li> </ul>
Line fails to cut off.	<ul style="list-style-type: none"> <li>• Line cutter in guard is covered, damaged, or missing.</li> <li>• Line extends past guard.</li> </ul>	<ul style="list-style-type: none"> <li>• Contact your authorized Snow Joe® + Sun Joe® dealer or call Snow Joe® + Sun Joe® customer service center at 1-866-SNOWJOE (1-866-766-9563).</li> <li>• Rewind or trim line to line cutter.</li> </ul>

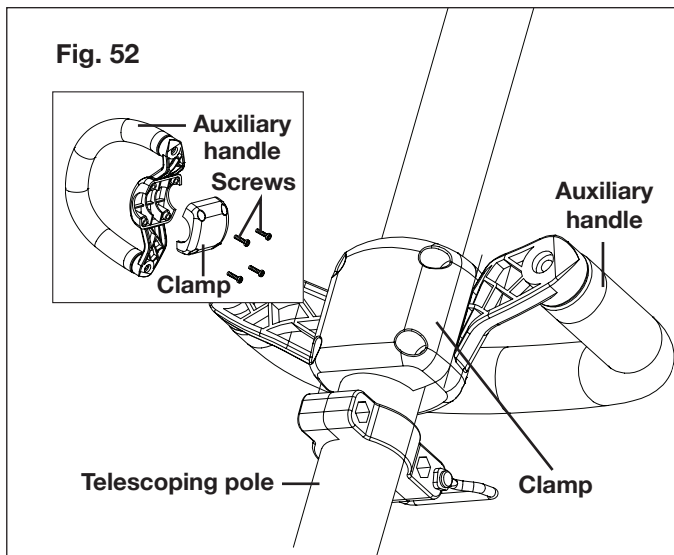
# Garden Tiller

## Assembly

**⚠ WARNING!** Do not connect to power supply until assembly is complete. Failure to comply could result in accidental starting and possible serious personal injury.

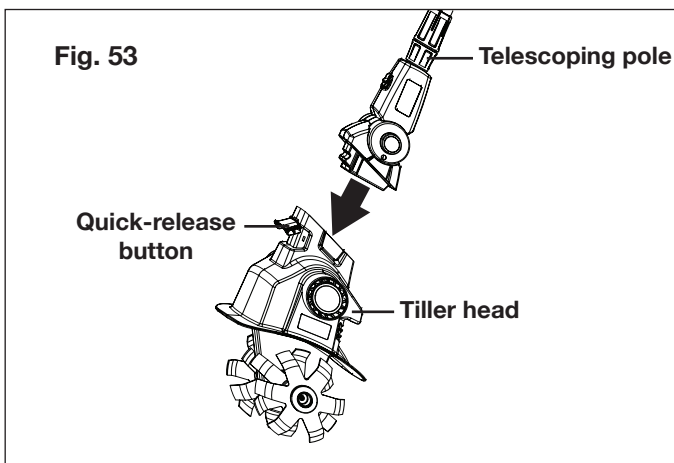
### Handle Assembly

1. Clamp the auxiliary handle with the telescoping pole using the 4 screws, as shown (Fig. 52).

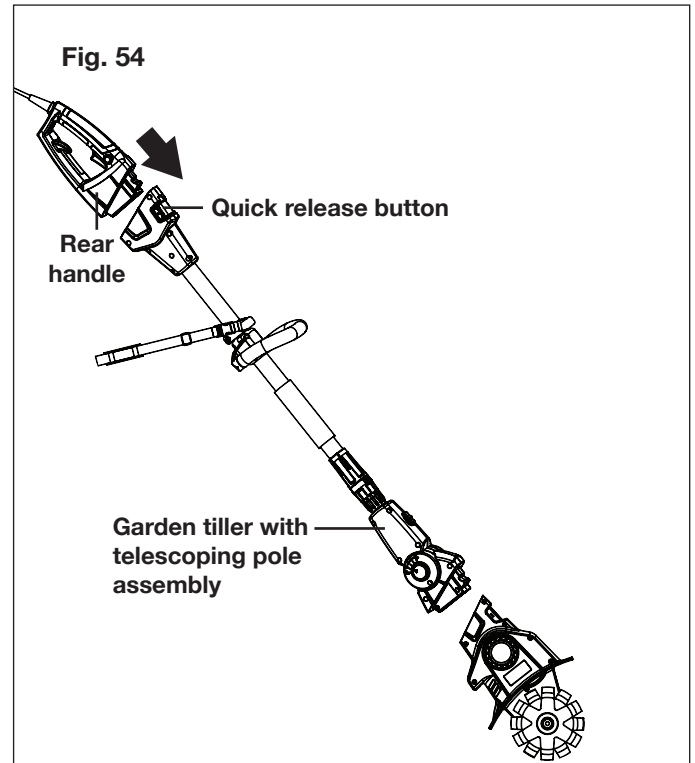


### Fitting the Garden Tiller

1. Insert the telescoping pole into the tiller head. Press down on the quick-release button to lock into position (Fig. 53).



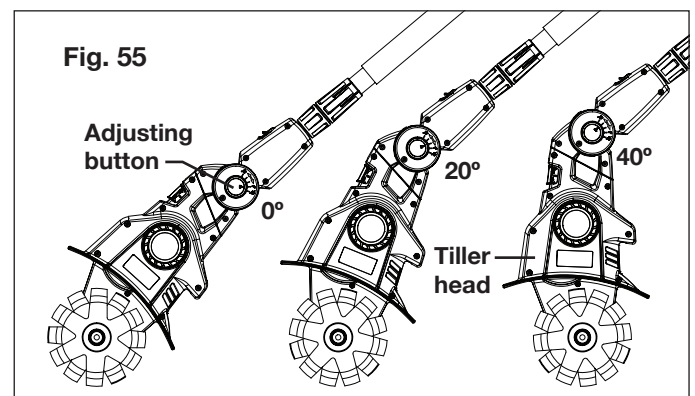
2. Insert the rear handle into the end of the telescoping handle (Fig. 54).
3. Press down on the quick release button. Ensure the release button snaps firmly into position to lock the handle securely.



4. To remove, disconnect rear handle and tiller head from ends of telescoping pole by lifting the quick release button and pulling straight out.

### Adjusting Tiller Angle

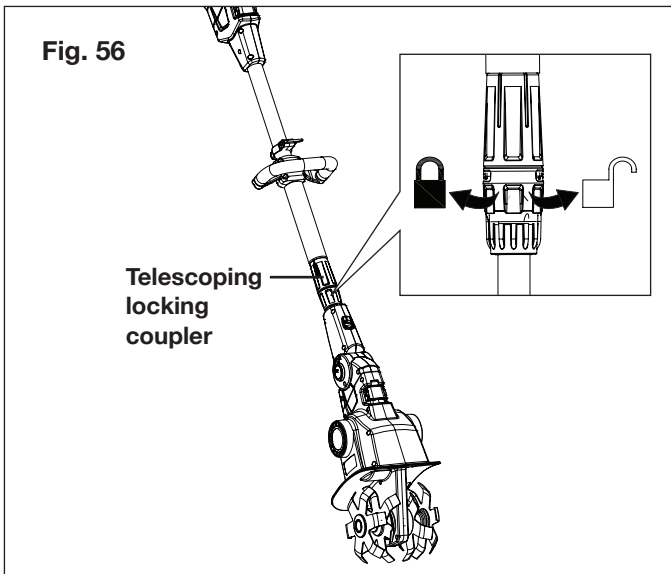
1. Adjust the garden tiller angles by depressing the adjusting button (Fig. 55).
2. Turn the garden tiller head to a desired angle (Fig. 55).
3. The recommended tilling angles are between 0 and 40 degrees (Fig. 55).



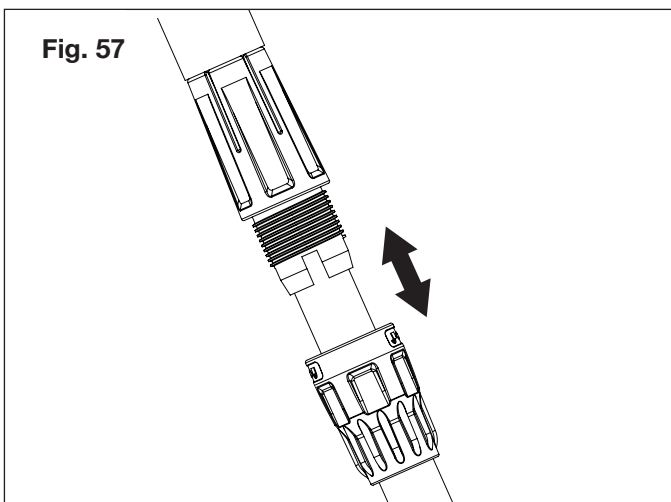
## Height Adjustment

The telescoping pole can be extended or shortened for ease of use.

1. Disconnect the garden tiller from the power supply.
2. Unlock the telescoping pole by turning the telescoping locking coupler clockwise until loose (Fig. 56).



3. Extend the telescoping pole to a comfortable height (Fig. 57).



4. Lock the telescoping pole in position by turning the telescoping locking coupler counter-clockwise until tight.

## Operation

**NOTE:** Before using this garden tiller, make sure that the power source you will use complies with the specifications detailed in this manual.

This machine is intended for breaking up and cultivating coarse soil for the purpose of mixing in fertilizer, peat and compost in domestic areas. Any use other than that specifically named in this manual may lead to damage to the tool and/or present a serious hazard to the operator.

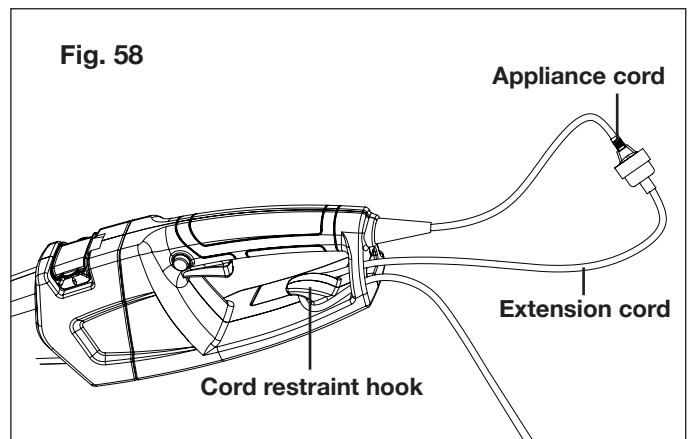
The operator or user of the tool is responsible for any damage or injury caused to other persons or property. Only adults should operate the tiller. Children and persons unfamiliar with the manual must not be allowed to use the tool. Do not use the tool in rain or damp surroundings. The manufacturer shall not be held liable for damage arising from improper use or incorrect operation of the tiller.

### **⚠ WARNING!**

- Keep hands away from blades.
- Disconnect the power cord and wait for blades to come to a complete stop before making any adjustments, cleaning or removing debris from blades. NEVER try to remove an obstruction from the blades while the tiller is plugged in.
- Be sure all adjustments knobs, screws or levers are tight and secure before use.
- Be aware of extension cord while operating the tiller. Be careful not to trip over cord. Keep cord away from blades at all times.

## Connecting to Power Supply

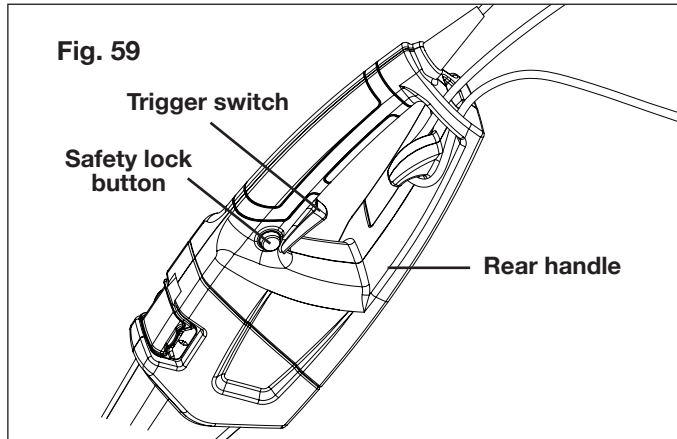
1. Only connect the electric tiller to a working 120 V outlet using a heavy-duty outdoor extension power cord.
2. Make a loop in the extension cord and push it up through the hole in the handle and around the cord restraint hook, then connect the extension cord to the appliance cord (Fig. 58).



## Starting the Garden Tiller

Before you start the garden tiller, make sure the tiller is not contacting any object.

1. To turn the tiller ON, press and hold the safety lock button with your thumb, then squeeze the ON/OFF trigger switch with your fingers. Once the machine powers on, you can release the safety button and proceed with operation (Fig. 59).



2. Release the trigger switch to stop the tiller.

## Operating Tips

### ⚠ CAUTION!

- Check the area to be tilled. Look for any hazards and obstructions that could contribute to unsafe conditions.
- Remove all rocks, debris, and other materials that could become jammed in the blades.
- If the tiller stops due to a rock or other obstruction becoming jammed in the blades, you must first unplug the power cord before removing the blockage.
- Do not till in areas where there may be hidden hazards, such as sprinkler heads and pipes, buried power cables or gas lines or other similar hazards.
- Do not operate the tiller on a slope that is too steep for safe operation.
- Make sure your footing is firm. Keep your feet apart. Divide your weight evenly on both feet.

## Operating the Electric Garden Tiller

**⚠ WARNING!** Rotating blades may cause serious injury. The blades will continue to turn for a few seconds after the tool has been switched OFF. Do not touch the rotating blades. Contact with hot components (i.e. motor housing or gear box) on the machine may cause burns. Allow the machine to cool off before handling.

**NOTE:** Use the tiller for breaking sod, preparing seed beds, and for tilling gardens and flower beds. The unit can also dig small holes for planting sapling or transplanting potted plants.

Guide the tiller using light pressure. Do not force tool. It will do the job better and safer at the rate for which it was intended.

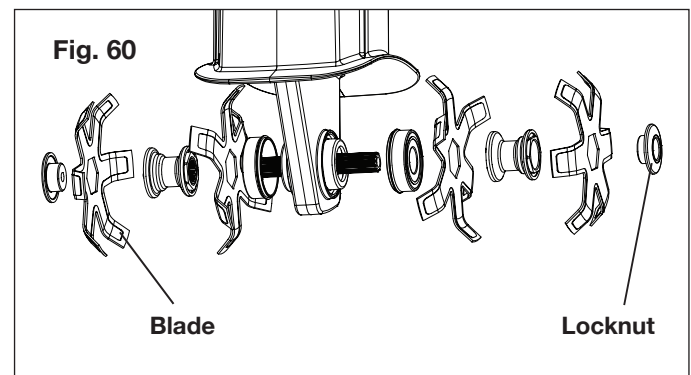
1. Walk the electric tiller through the soil at a normal pace and in as straight a line as possible. Move the unit slowly forward and back in a rocking motion, first pulling it backward then letting it "crawl" forward. Repeat this motion to till deeper into soil.
2. Always till away from the electrical outlet. Ensure the extension cord is kept away from the work area.
3. Do not try to till too deeply or force the unit into soil that is extremely hard or resistant.  
**NOTE:** Overloading the machine will cause it to shut down. If this occurs the machine will not operate until the motor has completely cooled down. This is normal and the tiller will reset itself.
4. Always maintain a firm grip on the electric tiller.
5. Lift the electric tiller over hard surfaces. Never lift or drag the electric tiller when the motor is running.

## Changing the Blades

**NOTE:** The blades in the motor housing are provided by the manufacturer. Only use blades that have been supplied by the manufacturer. Ensure the blades are in good condition prior to operation.

To replace the blades, using the following procedure:

1. Turn OFF the tiller and unplug the power cord.
2. Place the unit on a flat surface and stand in a safe position.
3. Remove the locknut with a socket wrench and disassemble the blades (Fig. 60).



4. Remove the old blades while taking note of the sequence of assembly. Install the new blades in the order they were prior to disassembly. Tighten with the locknut. (Figs. 61 – 66).

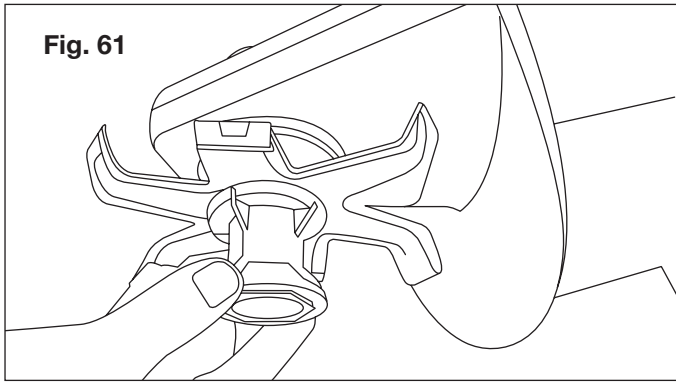


Fig. 61

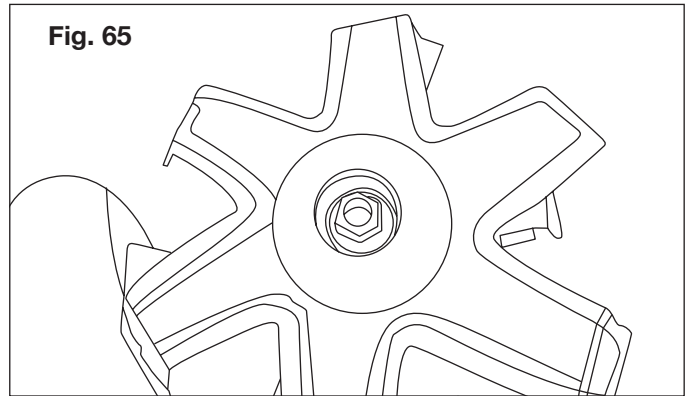


Fig. 65

**IMPORTANT:** The blades must be set in the correct turning direction. Note the position of the original blades, and replace them in the exact same direction.

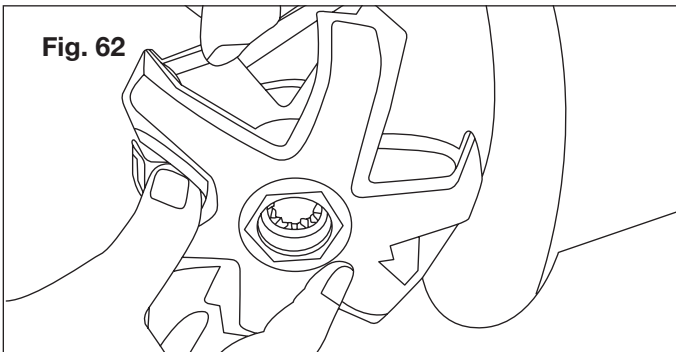


Fig. 62

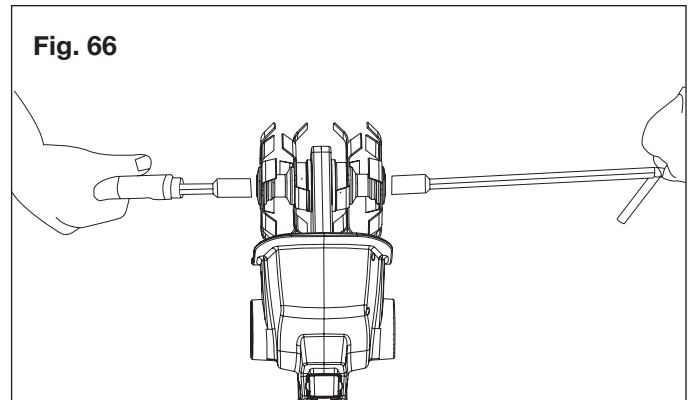


Fig. 66

5. Only use blades that are produced by the manufacturer.

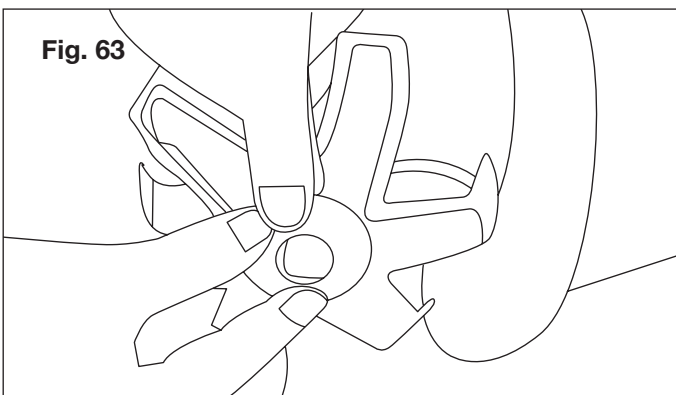


Fig. 63

## Cleaning, Maintenance + Storage

**⚠ WARNING!** Unexpected blade movement may cause personal injury. Before servicing, repairing or inspecting the unit, turn the motor OFF and disconnect the extension cord. Wait for the blades to completely stop rotating before conducting inspection, cleaning or maintenance.

**⚠ WARNING!** Contact with hot components (i.e. motor housing or gear box) on the machine may cause burns. Allow the machine to cool off before handling.

### IMPORTANT!

- Wear protective gloves when cleaning or maintaining the machine.
- Do not use cleaning fluids or solvents or spray the machine down with water (especially pressurized water) when cleaning the machine.

**NOTE:** After each use, follow these steps when cleaning the machine:

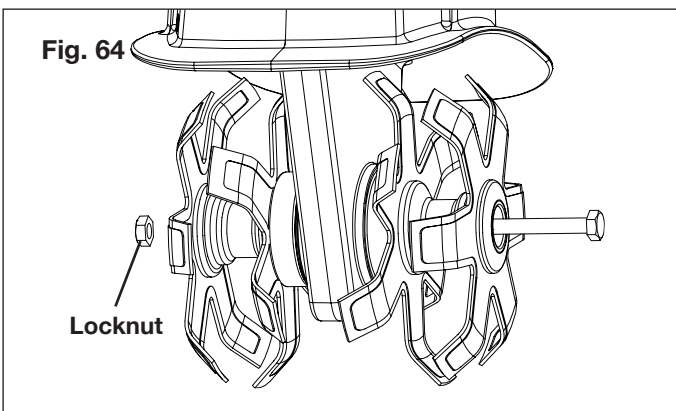


Fig. 64

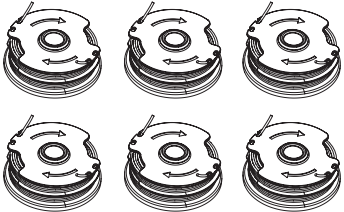
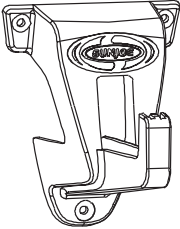
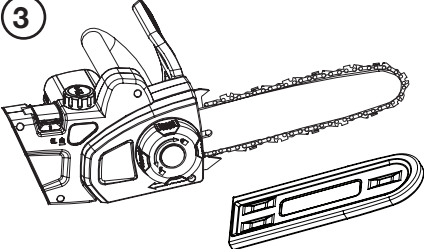
Locknut





# Optional Accessories

**⚠️WARNING!** ALWAYS use only authorized Snow Joe® + Sun Joe® replacement parts and accessories. NEVER use replacement parts or accessories that are not intended for use with this lawn + garden multi-tool system. Contact Snow Joe® + Sun Joe® if you are unsure whether it is safe to use a particular replacement part or accessory with your lawn + garden multi-tool system. The use of any other attachment or accessory can be dangerous and could cause injury or mechanical damage.

Accessories	Item	Model
<p>①</p> 	<p>Dual-line pre-wound spool (6-Pack)</p>	<p>GTS4000E-RS-6PK</p>
<p>②</p> 	<p>Snow Joe® + Sun Joe® universal wall bracket</p>	<p>SJWB</p>
<p>③</p> 	<p>Sun Joe® chain saw attachment</p>	<p>GTS4000E-8CS-CGY</p>

**NOTE:** Accessories are subject to change without any obligation on the part of Snow Joe® + Sun Joe® to provide notice of such changes. Accessories can be ordered online at [snowjoe.com](http://snowjoe.com) or via phone by contacting the Snow Joe® + Sun Joe® customer service center at 1-866-SNOWJOE (1-866-766-9563).







## SNOW JOE® + SUN JOE® CUSTOMER PROMISE

**ABOVE ALL ELSE**, Snow Joe® + Sun Joe® are dedicated to you, our customer. We strive to make your experience as pleasant as possible. Unfortunately, there are times when a product does not work or breaks under normal operating conditions. We think it's important that you know what you can expect from us. That's why we created the Snow Joe® + Sun Joe® promise.

**OUR PROMISE:** Snow Joe® + Sun Joe® warrant new products for two years from the date of purchase. If your product does not work, or there's an issue with a specific part, we will fix this by either sending you a free replacement part or by sending you a new or comparable product at no charge. How cool is that! Before you know it, you'll be back in action cutting, sawing, mowing, washing and...?

### PRODUCT REGISTRATION:

Snow Joe®, LLC ("Snow Joe® + Sun Joe®") strongly encourages you to register your purchase. You can register online at [snowjoe.com/ProductRegistration](http://snowjoe.com/ProductRegistration), or by printing and mailing in a registration card available online from our website, or calling our Customer Service Department at **1-866-SNOWJOE (1-866-766-9563)**, or by e-mailing us at [help@snowjoe.com](mailto:help@snowjoe.com). Failure to register your product purchase will not diminish your warranty rights. However, registering your purchase will allow Snow Joe® + Sun Joe® to better serve you with any of your customer service needs.

### WHO CAN SEEK WARRANTY COVERAGE?

This Warranty is extended by Snow Joe® + Sun Joe® to the owner of this Machine (a "Machine" consists of a product powered by a motor) for residential and personal household use only. This Warranty does not apply to products used for commercial, rental or re-sale purposes. Should ownership of this machine change during the 2-year period, please update the Machine's owner information at [snowjoe.com/ProductRegistration](http://snowjoe.com/ProductRegistration).

### WHAT IS COVERED?

Snow Joe® + Sun Joe® warrants to the owner that if this Machine fails within 2 years from the date of purchase due to a defect in material or workmanship or as a result of normal wear and tear from ordinary household use, Snow Joe® + Sun Joe® will send a replacement part or product, as needed, free of charge and with free shipping to the original purchaser.

If, in Snow Joe® + Sun Joe®'s sole discretion, the failed Machine cannot be repaired with a part, Snow Joe® + Sun Joe® will elect to either (A) send a new Machine at no charge and with free shipping or (B) refund the full purchase price to the owner.

### WHAT IS NOT COVERED?

This Warranty does not apply to the Machines that have been used commercially or in non-household applications. This Warranty does not cover cosmetic changes that do not affect performance. This Warranty is only valid if the Machine is used and maintained in accordance with the instructions, warnings and safeguards contained in the owner's manual. Snow Joe® + Sun Joe® will not be responsible for the cost of any unauthorized warranty repairs. This warranty does not cover any cost or expense incurred by the purchaser in providing substitute equipment or service during reasonable periods of malfunction or non-use of this product while waiting for a replacement part or unit under this warranty.

Wearing parts like belts, augers, chains and tines are not covered under this warranty, and can be purchased at [snowjoe.com](http://snowjoe.com) or by calling **1-866-SNOWJOE (1-866-766-9563)**. Batteries are covered in full for 90-days from the date of purchase.

Repair, replacement or refund of the purchase price are the exclusive remedies of purchaser and the sole liability of Snow Joe® + Sun Joe® under this warranty. No employee or representative of Snow Joe® + Sun Joe® is authorized to make any additional warranty or any modification to this warranty which may be binding upon Snow Joe® + Sun Joe®. Accordingly, purchaser should not rely upon any additional statements made by any employee or representative of Snow Joe® + Sun Joe®. In no event, whether based on contract, indemnity, warranty, tort (including negligence), strict liability or otherwise, shall Snow Joe® + Sun Joe® be liable for any special, indirect, incidental, or consequential damages, including, without limitation, loss of profit or revenue.

Some states do not allow limits on warranties. In such states, the above limitations may not apply to you.

Outside the USA, other warranties may apply.



[snowjoe.com](http://snowjoe.com)

**⚠️WARNING!** This product or its power cord contains chemicals, including lead, known to the State of California to cause cancer and birth defects or other reproductive harm. Wash hands after handling. For more information go to [www.P65Warnings.ca.gov](http://www.P65Warnings.ca.gov).

**⚠️WARNING!** Some dust created by power sanding, sawing, grinding, drilling, and other construction activities contains chemicals known [to the State of California] to cause cancer, birth defects, or other reproductive harm. Some examples of these chemicals are:

- lead from lead-based paints,
- crystalline silica from bricks and cement and other masonry products, and
- arsenic and chromium from chemically-treated lumber.

Your risk from these exposures varies, depending on how often you do this type of work. To reduce your exposure to these chemicals: work in a well ventilated area, and work with approved safety equipment, such as those dust masks that are specifically designed to filter out microscopic particles. For more information go to [www.P65Warnings.ca.gov](http://www.P65Warnings.ca.gov).