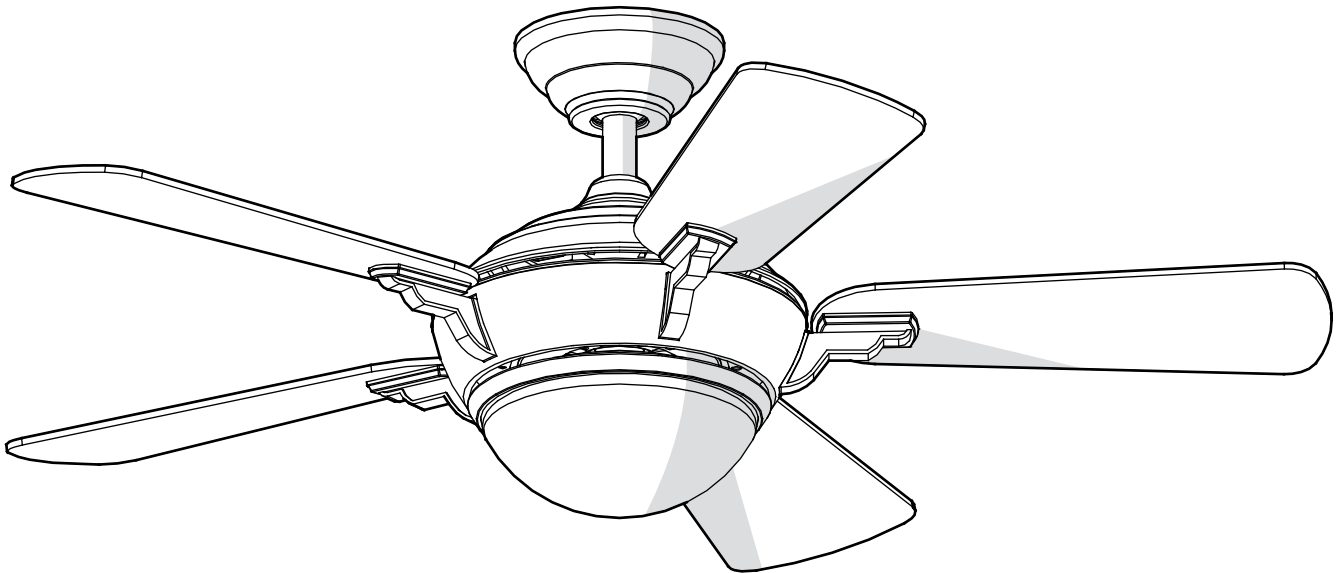




Item #xxx xxx, xxx xxx
Model #91100, 91044
UL Model #44-MDL

USE AND CARE GUIDE

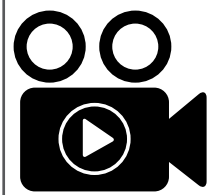
MIDILI 44 IN. CEILING FAN



Questions, problems, missing parts? Before returning to the store call
Hampton Bay Customer Service
8 a.m. - 6 p.m., EST, Monday-Friday

1-855-HD-HAMPTON

HAMPTONBAY.COM



To view an instructional video on how to install this product:

1. Go to www.homedepot.com and enter either the Item or Model number, found in the top right corner of the cover of this instruction manual, in the search field.
2. Click on your product from the list of search results and click on the video link in the "Product Overview" section.

THANK YOU

We appreciate the trust and confidence you have placed in Hampton Bay through the purchase of this ceiling fan. We strive to continually create quality products designed to enhance your home. Visit us online to see our full line of products available for your home improvement needs.

Thank you for choosing Hampton Bay!

Table of Contents

Table of Contents	2	Assembly	7
Safety Information	2	Operation	15
Warranty	3	Care and Cleaning	16
Pre-Installation	3	Troubleshooting	16
Installation	6		

Safety Information

1. To reduce the risk of electric shock, ensure the electricity has been turned off at the circuit breaker or fuse box before you begin.
2. All wiring must be in accordance with the National Electrical Code ANSI/NFPA 70-1999 and local electrical codes. Electrical installation should be performed by a qualified licensed electrician.
3. The outlet box and support structure must be securely mounted and capable of reliably supporting 35 lbs. (15.9 kg). Use only UL Listed outlet boxes marked "Acceptable for Fan Support of 35 lbs. (15.9 kg) or less."
4. The fan must be mounted with a minimum of 7 ft (2 m) clearance from the trailing edge of the blades to the floor.
5. Do not operate the reversing switch while the fan blades are in motion. You must turn the fan off and stop the blades before you reverse the blade direction.
6. Do not place objects in the path of the blades.
7. To avoid personal injury or damage to the fan and other items, use caution when working around or cleaning the fan.
8. Electrical diagrams are for reference only. Light kits that are not packed with the fan must be UL-listed and marked suitable for use with the model fan you are installing. Switches must be UL General Use Switches. Refer to the instructions packaged with the light kits and switches for proper assembly.
9. After making electrical connections, spliced conductors should be turned upward and pushed carefully up into the outlet box. The wires should be spread apart with the grounded conductor and the equipment-grounding conductor on one side of the outlet box.
10. All setscrews must be checked and retightened where necessary before installation.



WARNING: To reduce the risk of personal injury, do not bend the blade brackets (also referred to as flanges) during assembly or after installation. Do not insert objects in the path of the blades.



WARNING: Remove the rubber motor stops on the bottom of the fan before installing the blades or testing the motor.



WARNING: To reduce the risk of fire or electric shock, do not use this fan with any solid-state speed control device.



WARNING: To reduce the risk of fire, electric shock or personal injury, mount to outlet box marked "Acceptable for fan support of 35 lbs. (15.9 Kg) or less," and use screws provided with the outlet box.



WARNING: To avoid possible electrical shock, turn the electricity off at the main fuse box before wiring. If you feel you do not have enough electrical wiring knowledge or experience, contact a licensed electrician.



WARNING: Electrical diagrams are for reference only. Optional use of any light kit shall be UL-listed and marked suitable for use with this fan.



WARNING: To reduce the risk of fire or electric shock, this fan should only be used with fan speed control part no. FAN-18R-CFL.

Warranty

The supplier warrants the fan motor to be free from defects in workmanship and material present at time of shipment from the factory for a life-time after the date of purchase by the original purchaser. The supplier also warrants that all other fan parts, excluding any glass or acrylic blades, to be free from defects in workmanship and material at the time of shipment from the factory for a period of one year after the date of purchase by the original purchaser. We agree to correct such defects without charge or at our option replace with a comparable or superior model if the product is returned. To obtain warranty service, you must present a copy of the receipt as proof of purchase. All costs of removing and reinstalling the product are your responsibility. Damage to any part, such as by accident, misuse, improper installation, or by affixing any accessories, is not covered by this warranty. Because of varying climatic conditions this warranty does not cover any changes in brass finish, including rusting, pitting, corroding, tarnishing, or peeling. Brass finishes of this type give their longest useful life when protected from varying weather conditions. A certain amount of "wobble" is normal and should not be considered a defect. Servicing performed by unauthorized persons shall render the warranty invalid. There is no other express warranty. Hampton Bay hereby disclaims any and all warranties, including but not limited to those of merchantability and fitness for a particular purpose to the extent permitted by law. The duration of any implied warranty which cannot be disclaimed is limited to the time period as specified in the express warranty. Some states do not allow a limitation on how long an implied warranty lasts, so the above limitation may not apply to you. The retailer shall not be liable for incidental, consequential, or special damages arising out of or in connection with product use or performance except as may otherwise be accorded by law. Some states do not allow the exclusion of incidental or consequential damages, so the above exclusion or limitation may not apply to you. This warranty gives specific legal rights, and you may also have other rights which vary from state to state. This warranty supersedes all prior warranties. Shipping costs for any return of product as part of a claim on the warranty must be paid by the customer.

Contact the Customer Service Team at 1-855-HD-HAMPTON or visit www.HamptonBay.com.

Pre-Installation

SPECIFICATIONS

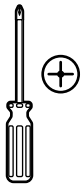
Size	Speed	Volts	Amps	Watts	RPM	CFM	Net Weight	Gross Weight	Cube Feet
44 in.	Low	120	0.28	11	75	1300	18.74 lbs. (8.5 kg)	22.3 lbs. (10.1 kg)	1.68 cu. ft.
	Medium		0.36	23	120	2076			
	High		0.42	47	180	3035			



NOTE: These are approximate measures. They do not include the Amps and Wattage used by the light kit.



TOOLS REQUIRED



Phillips screwdriver



Flat blade screwdriver



Adjustable wrench



Electrical tape



Wire cutter / stripper



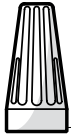
Step ladder

Pre-Installation (continued)

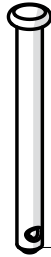
HARDWARE INCLUDED



NOTE: Hardware not shown to actual size.



AA



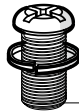
BB



CC



DD



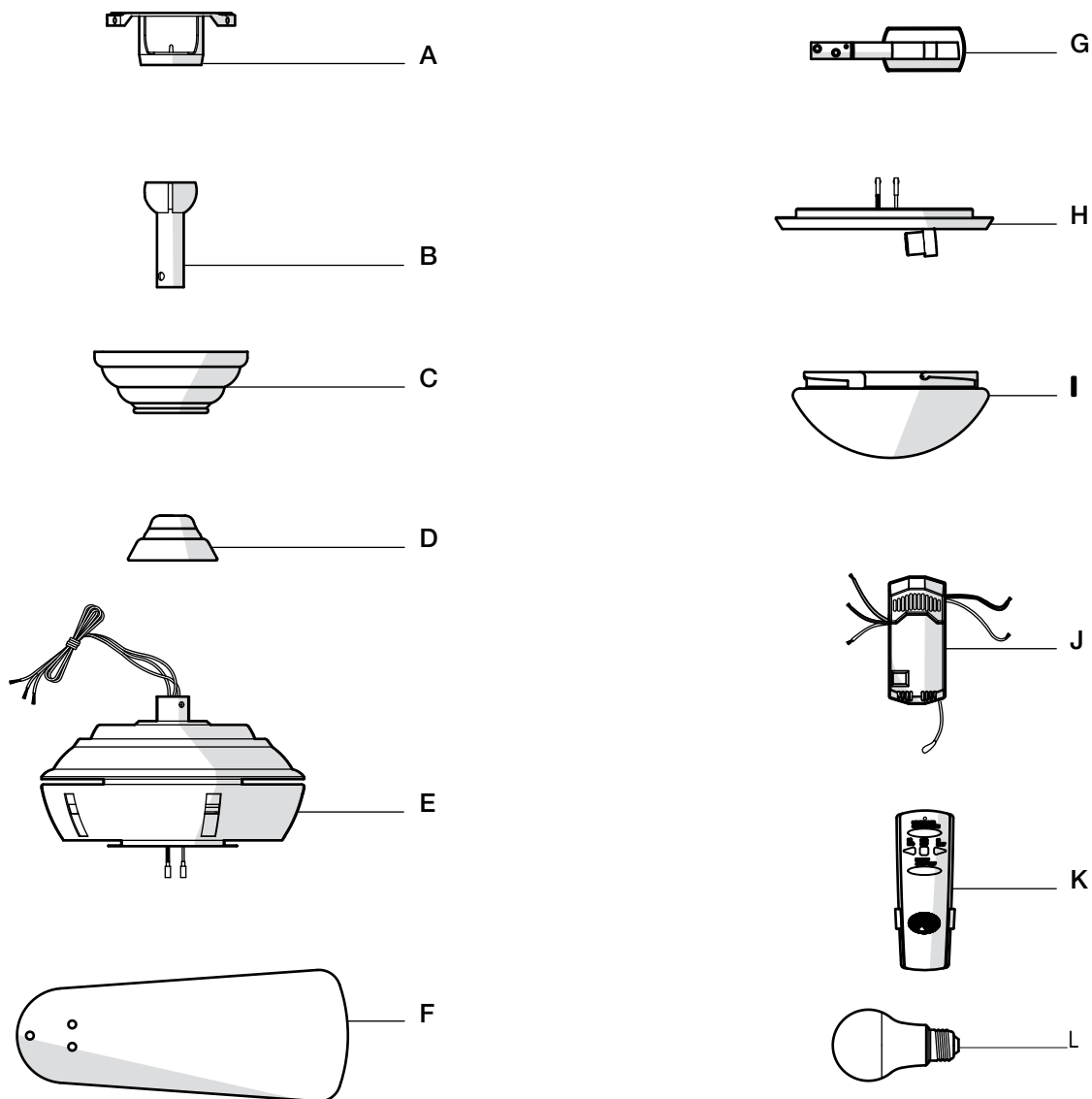
EE

Part	Description	Quantity
AA	Plastic wire connector	3
BB	Hanger pin	1
CC	Locking pin	1
DD	Blade attachment screws	16

Part	Description	Quantity
EE	Blade bracket hardware (screw and lockwasher)	11

Pre-Installation (continued)

PACKAGE CONTENTS



Part	Description	Quantity
A	Slide-on mounting bracket (inside canopy)	1
B	Ball/downrod assembly	1
C	Canopy with canopy ring attached	1
D	Decorative motor collar cover	1
E	Fan-motor assembly	1

Part	Description	Quantity
F	Blade	5
G	Blade bracket	5
H	Light Kit Fitter Assembly	1
I	Glass bowl	1
J	Receiver	1
K	Remote control	1
L	LED light bulb, 9.5 Watt max	1



IMPORTANT: This product and/or components are governed by one or more of the following U.S. Patents: 5,947,436; 5,988,580; 6,010,110; 6,046,416; 6,210,117 and other patents pending.

Installation

MOUNTING OPTIONS

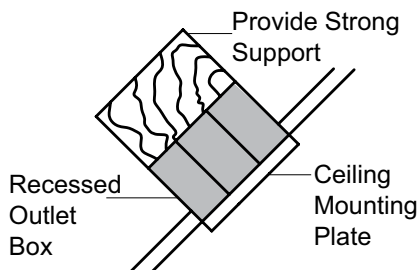
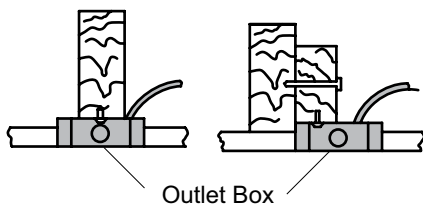
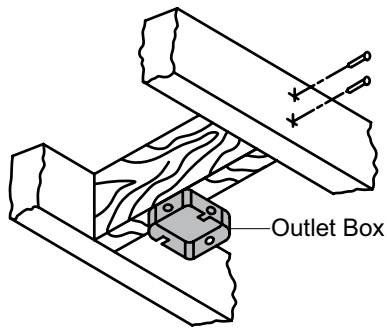


WARNING: To reduce the risk of fire, electric shock or personal injury, mount to an outlet box marked "Acceptable for fan support of 35 lbs. (15.9 Kg) or less," and use the screws provided with the outlet box. An outlet box commonly used for the support of lighting fixtures may not be acceptable for fan support and may need to be replaced. If in doubt, consult a qualified electrician.

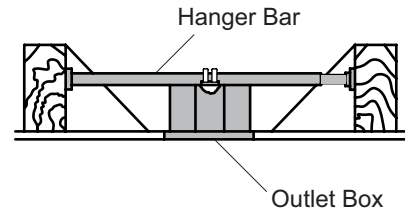
If your ceiling fan does not have an existing UL-listed mounting box, then install one using the following instructions:

- Disconnect the power by removing the fuses or turning off the circuit breakers.
- Secure the outlet box directly to the building structure. Use the appropriate fasteners and materials. The outlet box and its bracing must be able to fully support the weight of the moving fan (at least 35 lbs.). Do not use a plastic outlet box.

The illustrations below show three different ways to mount the outlet box.



NOTE: You may need a longer downrod to maintain proper blade clearance when installing on a steep, sloped ceiling. The maximum angle allowable is 30° away from horizontal.



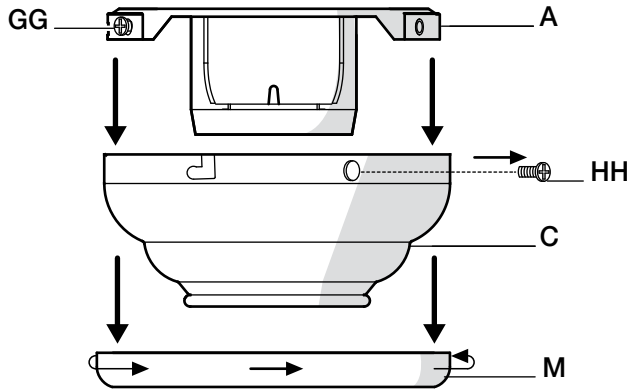
If the canopy touches the downrod, then remove the decorative canopy bottom cover and turn the canopy 180° before attaching the canopy to the mounting plate.

To hang your fan where there is an existing fixture but no ceiling joist, you may need an installation hanger bar as shown above (available at any Home Depot store).

Assembly - Standard Ceiling Mount

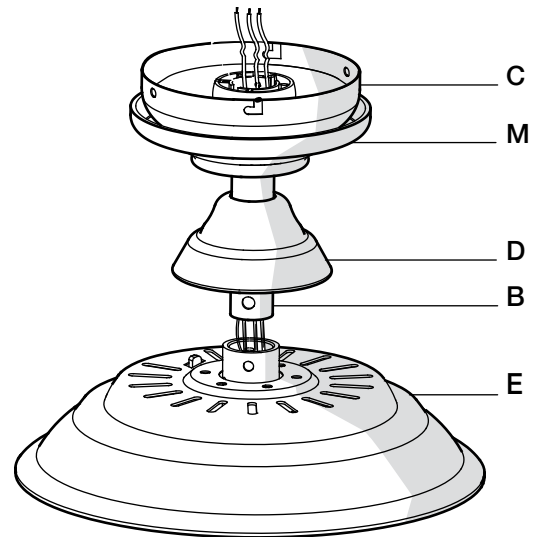
1 Preparing for mounting

- Remove the canopy ring (M) from the canopy (C) by turning the ring counterclockwise until it unlocks.
- Remove the mounting bracket (A) from the canopy (C) by loosening the two canopy screws (GG) located in the “L shaped” slots.
- Remove and save the two canopy screws (HH) in the round holes. This will enable you to remove the mounting bracket (A).



2 Routing the wires

- Route the wires exiting the top of the fan motor assembly (E) through the center of the canopy ring (M). Make sure the slots on the canopy ring (M) are on top.
- Insert the ball/downrod (B) through the canopy (C) and slide the decorative motor collar cover (D) onto the end of the ball/downrod (B). Make sure the slots on the canopy (C) are on top.
- Route the wires exiting the top of the fan motor assembly (E) through the downrod (B) as shown.

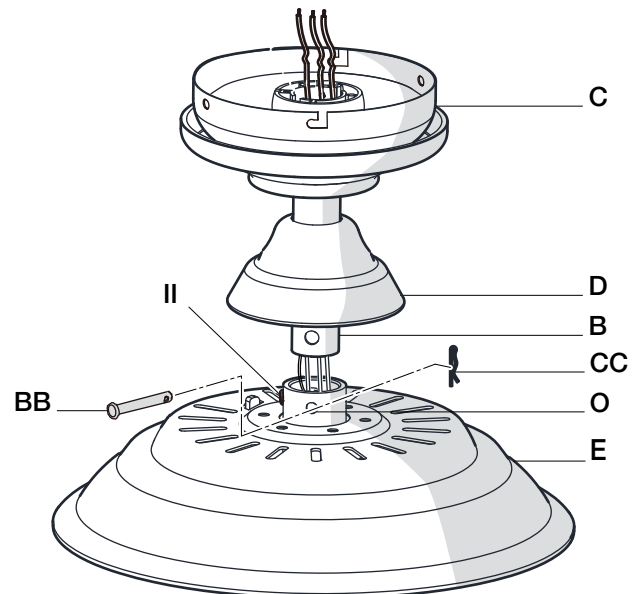


3 Assembling the fan



WARNING: Failure to properly install the locking pin could result in the fan becoming loose and possibly falling.

- Loosen, but do not remove, the setscrew (II) on the collar (O) on top of the fan-motor assembly (E).
- Align the holes at the bottom of the downrod (B) with the holes in the collar (O) on top of the fan-motor assembly (E).
- Carefully insert the hanger pin (BB) through the holes in the collar (O) and downrod (B). Be careful not to jam the hanger pin (BB) against the wiring inside the downrod (B).
- Insert the locking pin (CC) through the hole near the end of the hanger pin (BB) until it snaps into its locked position.
- Re-tighten the setscrew (II) on the collar (O) on top of the fan-motor assembly (E).



Assembly - Hanging the Fan

1 Attaching the mounting bracket to the outlet box

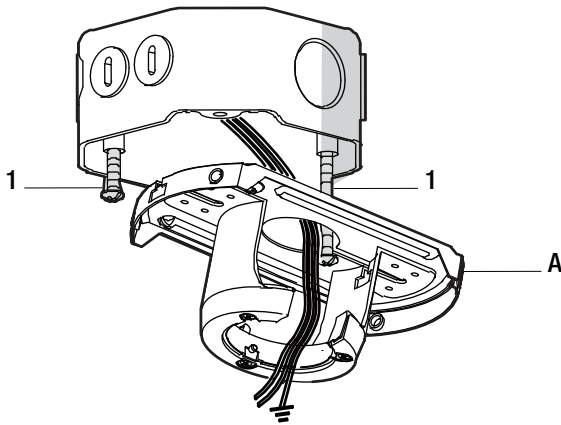


WARNING: To reduce the risk of fire, electric shock or personal injury, mount to an outlet box marked "Acceptable for fan support of 35 lbs. (15.9 Kg) or less," and use the screws provided with the outlet box.



NOTE: The mounting bracket (A) is designed to slide into place on an outlet box with the outlet box screws (1) installed.

- Loosen the two mounting screws (1) in the outlet box.
- Pass the 120-Volt supply wires through the center hole in the mounting bracket (A).
- Slide the mounting bracket (A) on to the mounting screws (1) and center the mounting bracket (A) in relation to the outlet box. If necessary, use leveling washers (not included) between the slide-on mounting bracket (A) and the outlet box. The flat side of the slide-on mounting bracket (A) should face toward the outlet box, as shown.
- Securely tighten the two mounting screws (1).



2 Hanging the fan

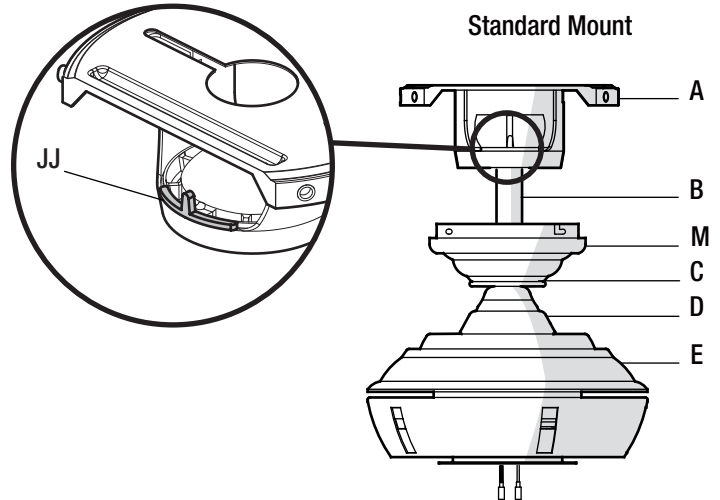


WARNING: The hook (JJ) is only to balance the fan while making the electrical connections. Failure to hang as shown may result in the hook (JJ) breaking, causing the fan to fall. The hook must pass from the inside to the outside of the canopy.



WARNING: When hanging the fan on the hook (JJ) it is critical that you use one of the non-slotted (round) holes in the canopy (C).

- Carefully lift the fan-motor assembly (E) up to the slide-on mounting bracket (A).
- Insert the ball portion of the ball/downrod assembly into the socket of the slide-on mounting bracket.
- Turn the ball/downrod assembly clockwise until it is seated with the tab of the slide-on mounting bracket aligned with the slot in the ball.



Assembly - Hanging the Fan (continued)

3 Setting the code on the remote control and receiver

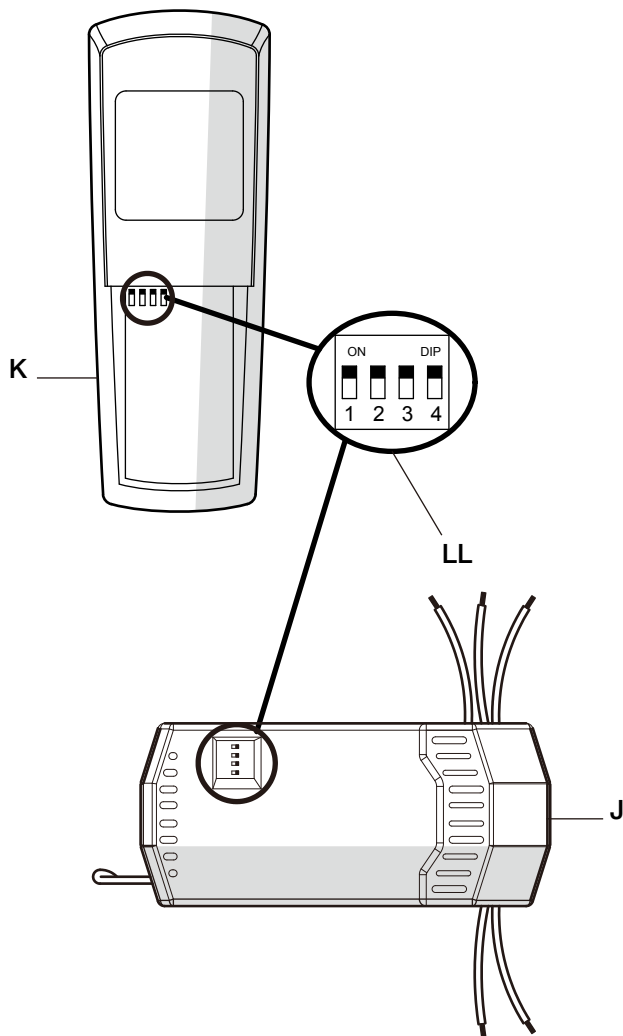


NOTE: The frequencies on your receiver and remote control have been preset at the factory. Before installing the receiver, make sure the dip switches on the receiver and remote control are set to the same frequency. The dip switches on the remote control are located inside the battery compartment.



NOTE: The battery will weaken with age and should be replaced before leaking takes place as this will damage the remote control. Dispose of used battery properly and keep the battery out of the reach of children.

- Remove the remote control (K) battery cover by pressing firmly on the arrow and sliding the cover off.
- Slide the dip switches to your choice of either up or down. The factory setting is up.
- Slide the dip switches (LL) on the receiver (J) to the same position as set on the remote control (K).
- Replace the battery cover on the remote control (K).



4 Installing the receiver



WARNING: To reduce the risk of fire or electric shock, remember to disconnect power. The electrical wiring must meet all local and national electrical code requirements. The electrical source and fan must be 110/120 volt, 60Hz. Do not use this product in conjunction with any variable wall control. Incorrect wire connection can damage this receiver.

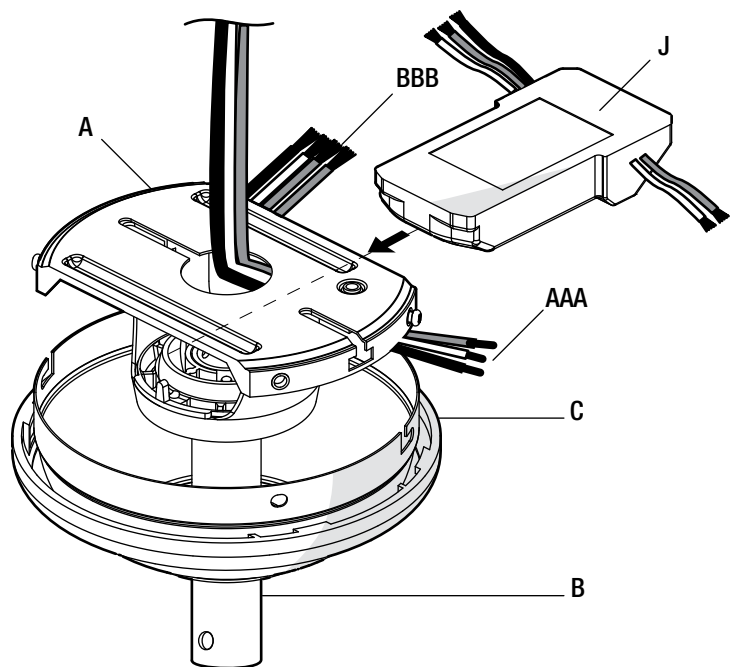


CAUTION: If other fan wires are a different color, have this unit installed by a licensed electrician.



CAUTION: Do not install the receiver in a damp location or immerse in water (For indoor use only). Do not pull on or cut the receiver leads shorter. Do not drop or bump the unit.

- Position the house supply wires (AAA) to one side of the slide-on mounting bracket (A); position the fan wires (BBB) to the opposite side.
- Insert the narrow end of the receiver (as shown, flat side towards the ceiling) into the slide-on mounting bracket until it rests on top of the ball/downrod assembly.



Assembly - Hanging the Fan (continued)

5 Wiring the receiver to the household wiring



WARNING: To avoid possible electrical shock, turn the electricity off at the main fuse box before wiring. If you feel you do not have enough electrical wiring knowledge or experience, contact a licensed electrician.

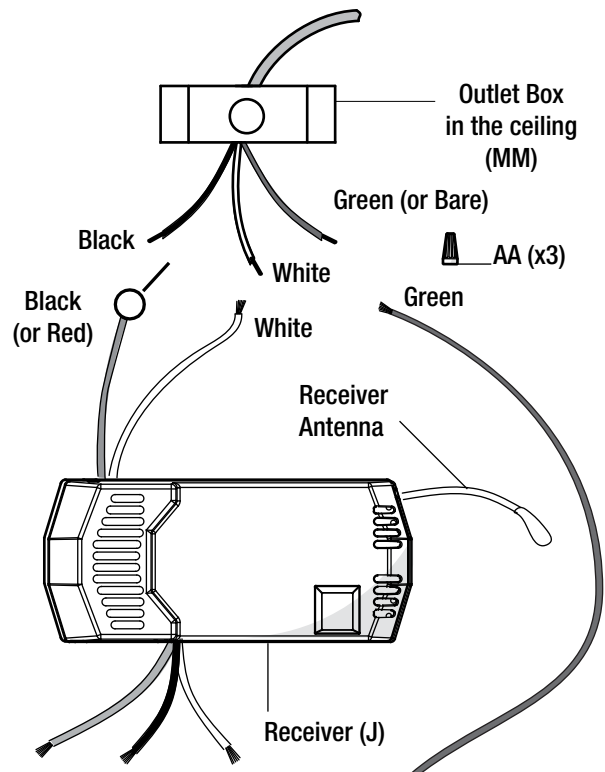


WARNING: Each wire not supplied with this fan is designed to accept up to one 12-gauge house wire and two wires from the fan. If you have larger than 12-gauge house wiring or more than one house wire to connect to the fan wiring, consult an electrician for the proper size wire nuts to use.



IMPORTANT: Use the wire connecting nuts (AA) supplied with your fan. Secure the connectors with electrical tape and ensure there are no loose strands or connections.

- Spread the wires apart so that the green and white wires are on one side of the outlet box and the black wire is on the other side.
- Connect the green fan wires to the household ground wire (this may be a green or bare wire) using a wire connecting nut (AA).
- Connect the receiver black (or red) wire to the household black (hot) wire using a wire connecting nut (AA).
- Connect the receiver white wire to the household white wire (neutral) wire using a wire connecting nut (AA).
- Secure each wire connecting nut using electrical tape.



Assembly - Hanging the Fan (continued)

6 Wiring the fan to the receiver



WARNING: Remove the rubber motor stops on the bottom of the fan before installing the blades or testing the motor.



IMPORTANT: Use the wire connecting nuts (AA) supplied with your fan. Secure the connectors with electrical tape and ensure there are no loose strands or connections.

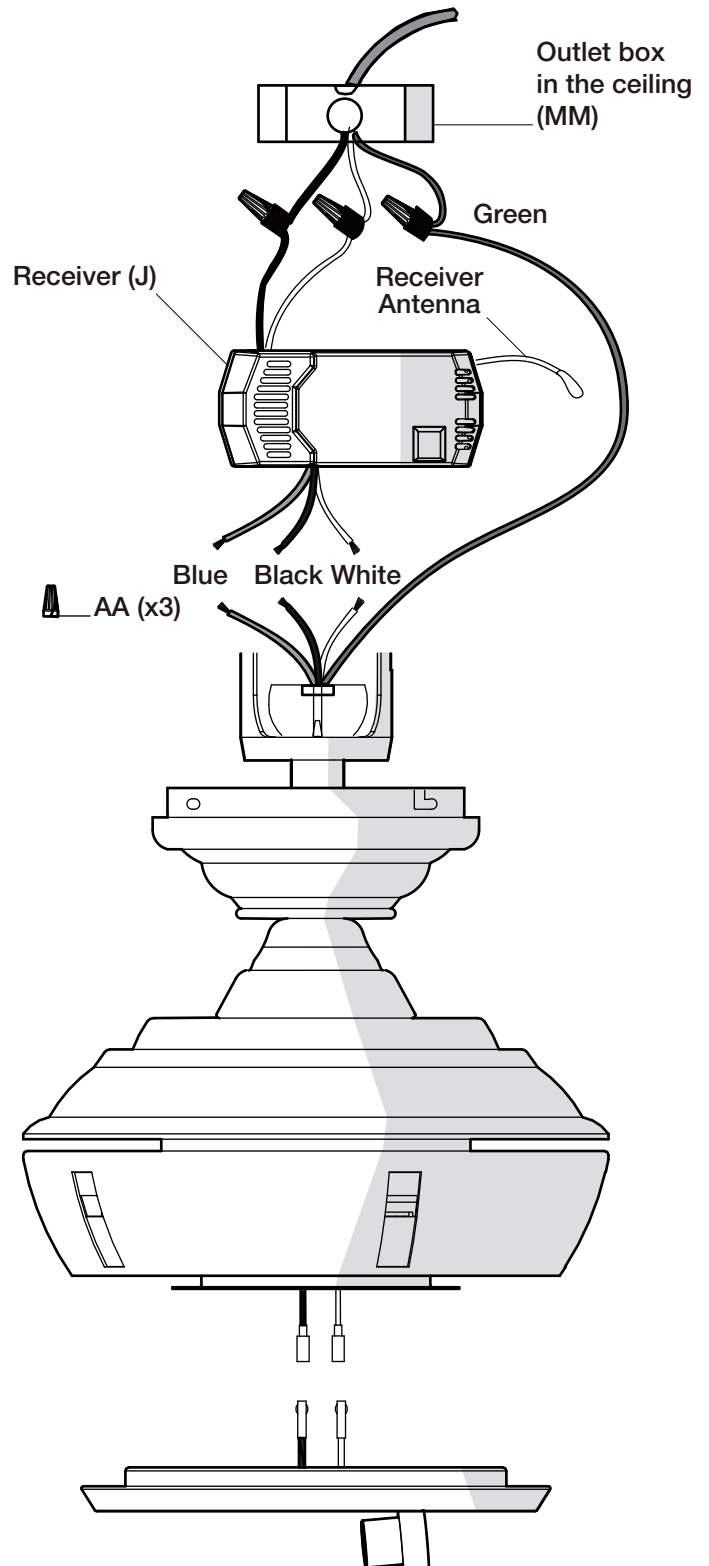


IMPORTANT: If after this step, you decide to check that the electrical connections have been successful, it is critical to attach the light kit using the quick connector prior to testing. The fan will not operate unless the light kit is connected to the fan.



NOTE: The fan comes with 30 in. lead wires for use with an extended ball/downrod assembly. If using the 4.5 in. ball/downrod assembly (B) provided, you can cut the lead wires to your desired length (no shorter than 12 in.).

- ❑ The fan comes with 30 in. lead wires for use with an extended ball/downrod assembly. If using the 4.5 in. ball/downrod assembly (B) provided, you can cut the lead wires to your desired length (no shorter than 12 in.) This will make extra room in the canopy (C), if you do not wish to cut the wires, you will need to neatly wrap them.
- ❑ Connect the fan motor white wire to the receiver white wire using a wire connecting nut (AA).
- ❑ Connect the fan motor black wire to the receiver black wire using a wire connecting nut (AA).
- ❑ Connect the fan motor blue wire to the receiver blue wire using a wire connecting nut (AA).
- ❑ Secure each wire connecting nut using electrical tape.
- ❑ Turn the wire connecting nut (AA) upward and push the wiring into the outlet box (MM).



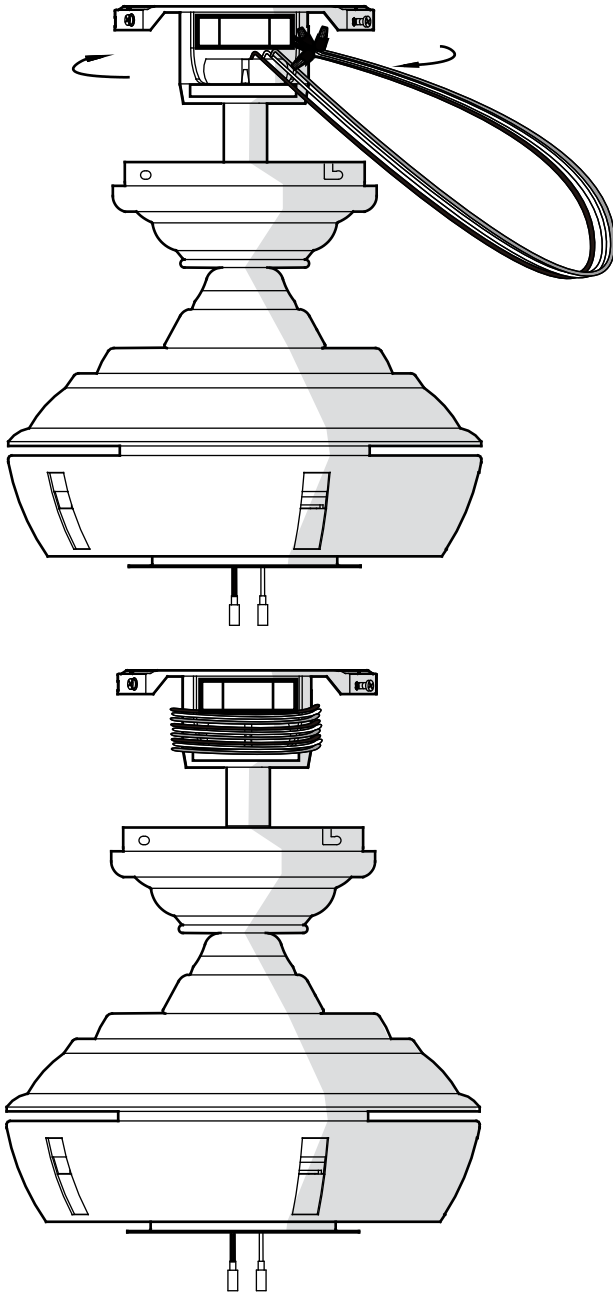
Assembly - Hanging the Fan (continued)

7 Wrapping the extra wire



NOTE: Follow this step **ONLY** if you did not cut the extra length off from the wires coming from the ceiling fan to the receiver.

- Gently wrap the excess wire around the mounting bracket, under the receiver.
- Secure with electrical tape.



8 Mounting the fan-motor assembly (standard mount)

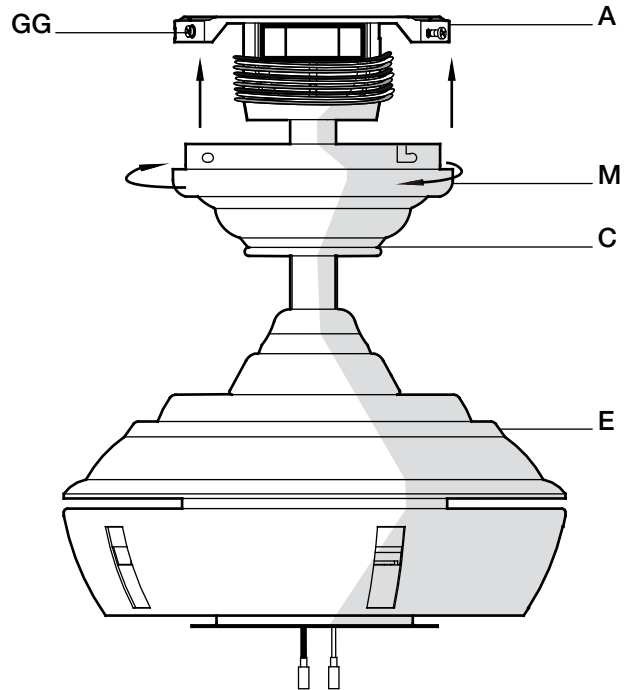


WARNING: When using the standard ball/downrod mounting, the tab in the ring at the bottom of the mounting bracket must rest in the groove of the hanger ball. Failure to properly seat the tab in the groove could cause damage to the wiring.



WARNING: The locking slots of ceiling canopy are provided only as an aid to mounting. Do not leave the fan assembly unattended until all four canopy screws are engaged and firmly tightened.

- Align the locking slots of the ceiling canopy (C) with the two screws (GG) in the mounting bracket (A). Push up to engage the slots and turn clockwise to lock in place.
- Firmly tighten the two mounting screws.
- Install the two mounting screws (saved from Assembly Step 1 “Preparing for mounting”) into the holes in the canopy (C) and tighten firmly.
- Install the decorative canopy ring (M) by aligning the ring’s slots with the screws in the canopy (C). Rotate the ring clockwise to lock in place.



Assembly - Attaching the Fan Blades

1 Attaching the blades to the blade brackets



WARNING: Remove the rubber motor stops on the bottom of the fan before installing the blades or testing the motor.

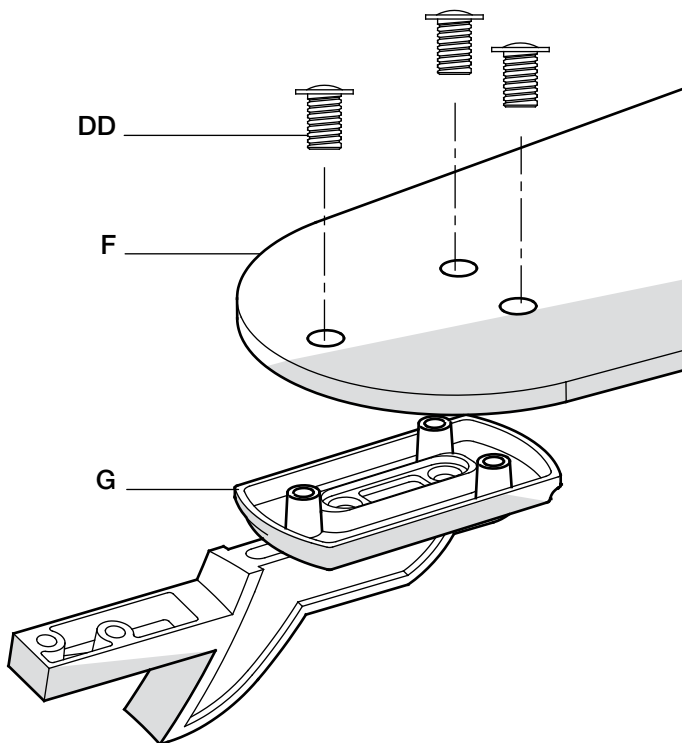


NOTE: Your fan features revolutionary advancements for quick and easy blade installation. This includes an alignment post and captive blade bracket screws.



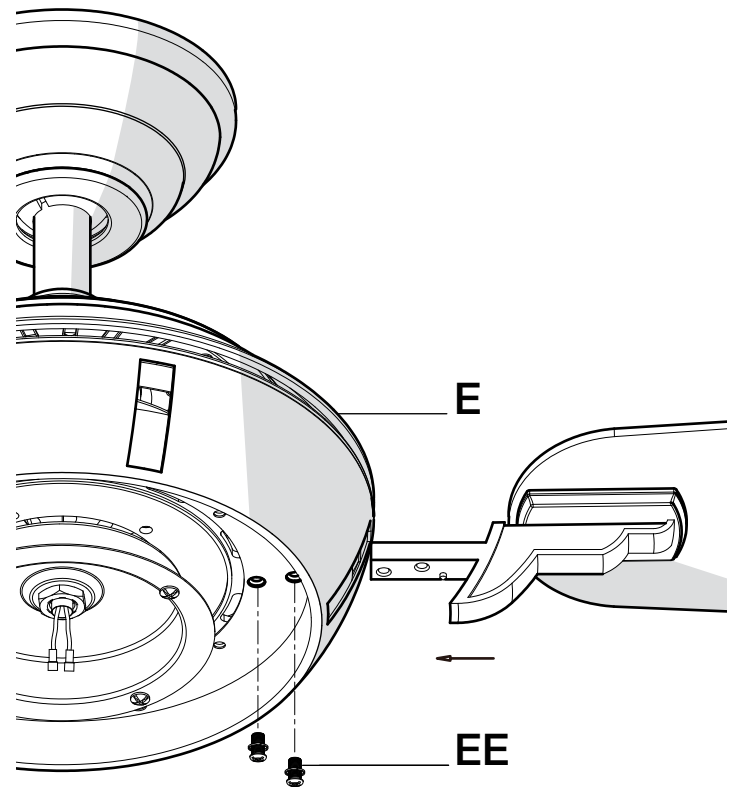
NOTE: Your fan blades are reversible. Select the blade side finish which best accentuates your decor.

- Attach a blade (F) to a blade bracket (G) by inserting screws (DD) into the holes in the blade and through the blade bracket.
- Tighten each screw securely.
- Repeat these steps for each blade (F) and blade bracket (G).



2 Fastening the blades assemblies to the motor

- Insert the blade / blade bracket assembly through the hole in the side of the center flywheel on the fan-motor assembly (E), align the two screw holes in the blade bracket with the screw holes in the center flywheel and insert the blade bracket screws (EE). Tighten securely.
- Repeat this step for the remaining blade assemblies.



Assembly - Attaching the Lights

1 Attaching the light kit fitter assembly



CAUTION: To reduce the risk of electric shock, disconnect the electrical supply circuit to the fan before installing the light fixture.



IMPORTANT: It is critical to attach the light kit using the quick connector. The fan will not operate unless the light kit is connected to the fan.



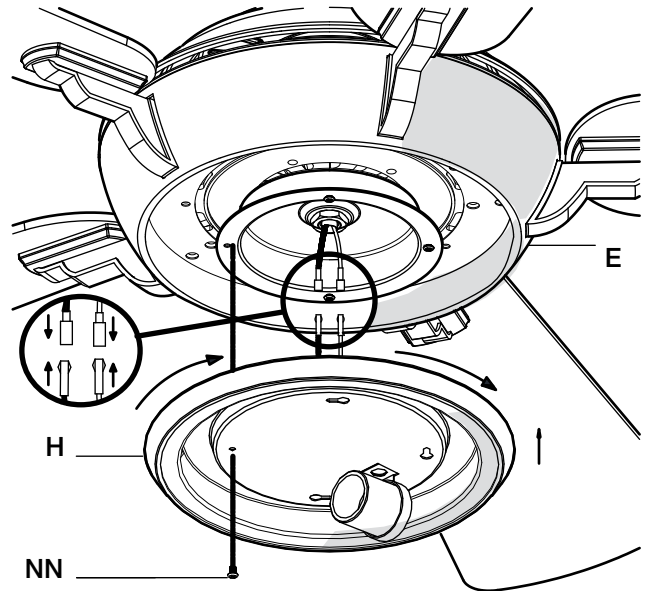
NOTE: Notice the location of the fan's slide switch. This is the switch used to change the fan's directional rotation. For more information on the operation of this switch, see *Operating Your Fan* on page 15.



NOTE: This light kit cannot be transferred to another fan.

- To attach the light kit fitter assembly (H), remove the non-slotted screw (NN) from the fan-motor assembly (E), and loosen, but do not remove the other three screws.
- Connect the blue wire existing the fan motor assembly (E) with the black wire from the light kit fitter assembly (H) by engaging the molded adaptor plug.
- Connect the white wire existing the fan motor assembly (E) with the white wire from the light kit fitter assembly (H) by engaging the molded adaptor plug.
- Carefully tuck all wires.

- Position the light kit assembly (H) onto the fan motor assembly, aligning each of the four holes.
- Rotate the light kit assembly (H) clockwise to engage the three mounting screws with the three key holes slots, tighten the screws.
- Re-install the non-slotted screw (NN) that was removed in step 1 and tighten firmly.

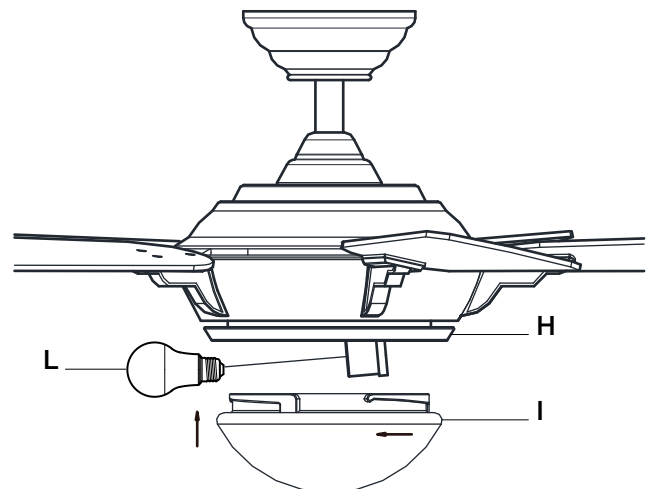


2 Installing the bulbs and attaching the glass bowl



WARNING: Do not overtighten when installing the glass shade into the light kit assembly. Allow the glass shade to cool completely before removing.

- With the power off, install the LED bulb (Max. 9.5-watt, included) by screwing into the light bulb sockets.
- Place the glass bowl (I) into the light kit assembly (H), aligning the three flat areas on the top flange of the glass bowl (I) with the three raised dimples in the light kit assembly. Turn the glass bowl (I) clockwise until it stops.



Operation

OPERATING YOUR FAN

Your fan is equipped with a remote control to operate the fan speed and lights of your new ceiling fan.

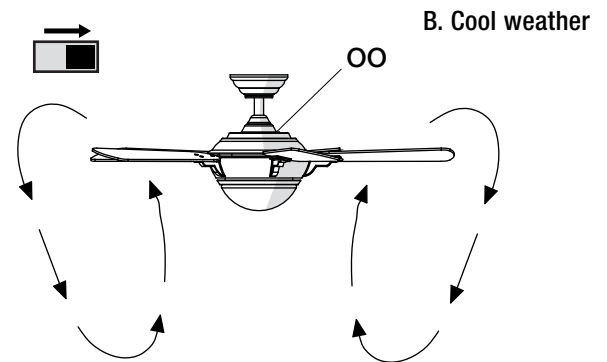
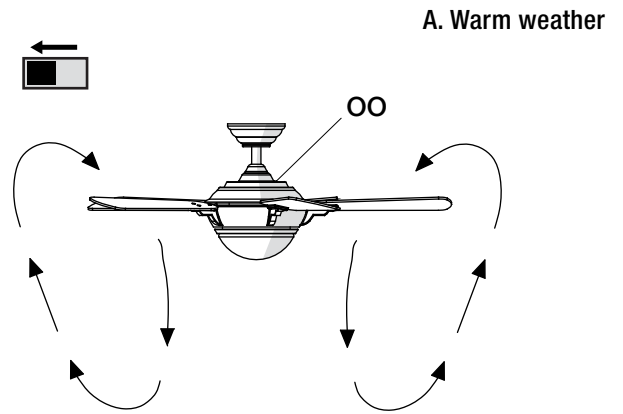
The speed setting for warm or cool weather depends on factors such as the room size, ceiling height, number of fans and so on.

The fan is shipped from the factory with the reversing switch positioned to circulate air downward. If airflow is desired in the opposite direction, turn your fan off and wait for the blades to stop turning, then slide the reversing switch (OO) (located on top of the motor housing) to the opposite position, and turn the fan on again. The fan blades will turn in the opposite direction and reverse airflow.


 **NOTE:** Wait for the fan to stop before reversing the direction of the blade rotation.

A. Warm weather - (Forward) A downward airflow creates a cooling effect. This allows you to set your air conditioner on a higher setting without affecting your comfort.

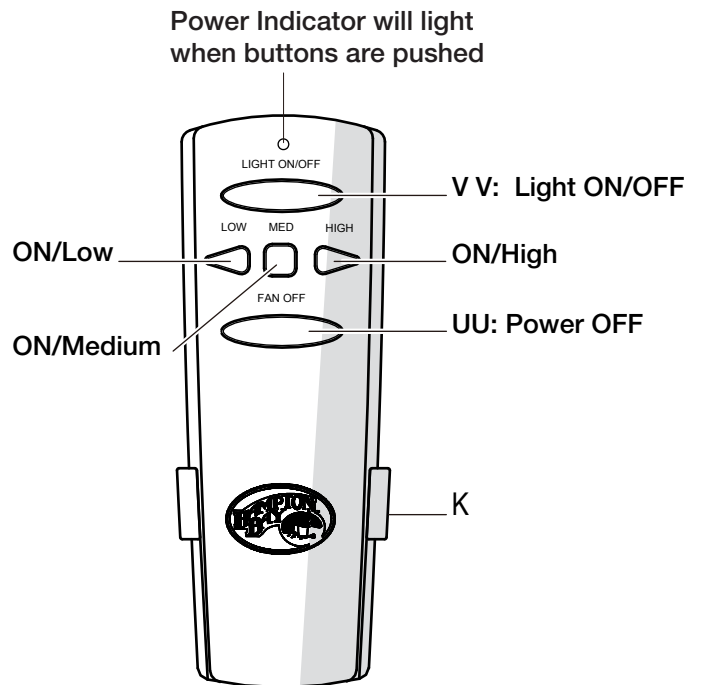
B. Cool weather - (Reverse) An upward airflow moves warm air off of the ceiling. This allows you to set your heating unit on a lower setting without affecting your comfort.



USING THE REMOTE CONTROL

 **NOTE:** This remote is equipped with a 16-code combination. To prevent possible interference from or to other remote units, such as garage door openers, car alarms, or security systems, change the combination code but be sure that the code on both the remote control and receiver in the fan are the same.

- Remove the protective coating from the battery.
- Remove the battery cover from the remote control.
- Install the 9-Volt battery (not included) into the battery compartment of the remote control (K).
- Replace the battery cover on the remote control.
- Press the desired button on the remote control (K) to operate the fan:
 - "High" button: Press to turn the fan on and set the fan speed to high.
 - "Med" button: Press to turn the fan on and set the fan speed to medium.
 - "Low" button: Press to turn the fan on and set the fan speed to low.
 - Power button (UU): Press to turn the fan off.
 - Light button (V V): Press and release immediately to turn the light on or off.



Care and Cleaning



WARNING: Make sure the power is off before cleaning your fan.

- Because of the fan's natural movement, some connections may become loose. Check the support connections, brackets, and blade attachments twice a year. Make sure they are secure. It is not necessary to remove the fan from the ceiling.
- Clean your fan periodically to help maintain its new appearance over the years. Do not use water when cleaning, as this could damage the motor, or the wood, or possibly cause an electrical shock. Use only a soft brush or lint-free cloth to avoid scratching the finish. The plating is sealed with a lacquer to minimize discoloration or tarnishing.
- You can apply a light coat of furniture polish to the wood for additional protection and enhanced beauty. Cover small scratches with a light application of shoe polish.
- You do not need to oil your fan. The motor has permanently lubricated sealed ball bearings.

Troubleshooting

Problem	Solution
The fan will not start.	<ul style="list-style-type: none"><input type="checkbox"/> Check the main and branch circuit fuses or breakers.<input type="checkbox"/> Check that the light kit plug is connected to the motor plug.<input type="checkbox"/> Check the line wire connections to the fan and switch wire connections in the switch housing.<input type="checkbox"/> Check the battery in the remote control to make sure the protective wrap has been removed and it is oriented properly.<input type="checkbox"/> Ensure you are in the normal range of 10-20 ft.<input type="checkbox"/> Ensure the dip switch settings are the same on the remote control and receiver.<input type="checkbox"/> Remember to turn off the power supply before checking the dip switches settings.
The fan is noisy.	<ul style="list-style-type: none"><input type="checkbox"/> Ensure all motor housing screws are snug.<input type="checkbox"/> Ensure the screws that attach the fan blade bracket to the motor hub are tight.<input type="checkbox"/> Ensure the wire nut connections are not rattling against each other or the interior wall of the switch housing.<input type="checkbox"/> Allow a 24-hour "breaking in" period. Most noises associated with a new fan disappear during this time.<input type="checkbox"/> If you are using the Ceiling Fan light kit, ensure the screws securing the glassware are tight. Check that the light bulbs are also secure.<input type="checkbox"/> Ensure the canopy is a short distance from the ceiling. It should not touch the ceiling.<input type="checkbox"/> Ensure your outlet box is secure and rubber isolator pads were used between the mounting plate and outlet box.
The fan wobbles.	<ul style="list-style-type: none"><input type="checkbox"/> Check that all blade bracket screws are secure and that all the blades are fully latched into place.<input type="checkbox"/> Most fan wobble problems are caused when blade levels are unequal. Check this level by selecting a point on the ceiling above the tip of one of the blades. Measure from a point on the center of each blade to the point on the ceiling. Measure this distance. Rotate the fan until the next blade is positioned for measurement. Repeat for each blade. Any measurement deviation should be within 1/8 in. Run the fan for ten minutes. If the fan continues to wobble please contact Customer Service and a balancing kit will be sent to you at no charge.

This equipment has been tested and found to comply with the limits for a Class B digital device, pursuant to Part 15 of the FCC Rules. These limits are designed to provide reasonable protection against harmful interference in a residential installation. This equipment generates, uses and can radiate radio frequency energy and, if not installed and used in accordance with the instructions, may cause harmful interference to radio communications. However, there is no guarantee that interference will not occur in a particular installation. If this equipment does cause harmful interference to radio or television reception, which can be determined by turning the equipment off and on, the user is encouraged to try to correct the interference by one or more of the following measures:

--Reorient or relocate the receiving antenna.

--Increase the separation between the equipment and receiver.

--Connect the equipment into an outlet on a circuit different from that to which the receiver is connected.

--Consult the dealer or an experienced radio/TV technician for help.

CAUTION:

Any changes or modifications not expressly approved by the grantee of this device could void the user's authority to operate the equipment.

This device complies with Part 15 of the FCC Rules. Operation is subject to the following two conditions: (1) This device may not cause harmful interference, and (2) this device must accept any interference received, including interference that may cause undesired operation.



Questions, problems, missing parts? Before returning to the store call

Hampton Bay Customer Service

8 a.m. - 6 p.m., EST, Monday-Friday

1-855-HD-HAMPTON

HAMPTONBAY.COM

Retain this manual for future use.

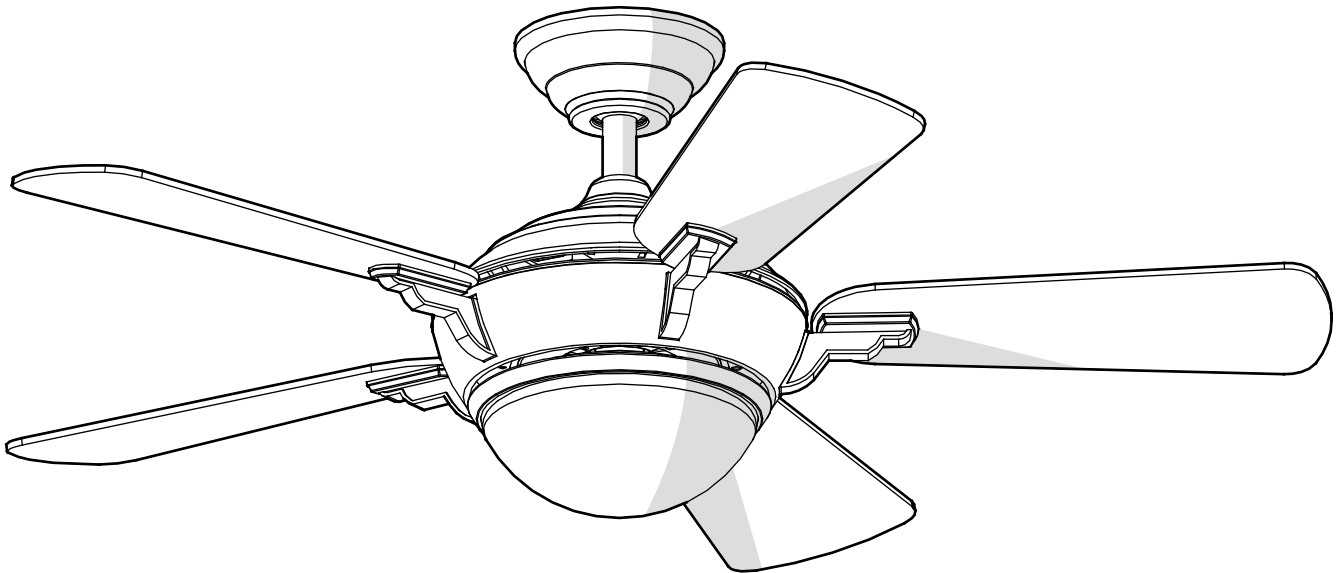
X000000000-A



Artículo núm. xxx xxx, xxx xxx
Modelo núm. 91100, 91044
Modelo núm. 44-MDL
aprobado por UL

GUÍA DE USO Y MANTENIMIENTO

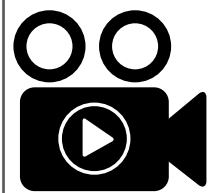
VENTILADOR DE TECHO MIDILI DE 1.12 M



¿Preguntas, problemas o piezas faltantes? Antes de regresar a la tienda,
llama al servicio al cliente de Hampton Bay,
de lunes a viernes, entre 8:00 a.m. y 6:00 p.m., hora estándar del Este

1-855-HD-HAMPTON

HAMPTONBAY.COM



Para ver un video instructivo sobre cómo instalar este producto:

1. Visita www.homedepot.com e ingresa en el campo de búsqueda el número de modelo o artículo, que aparece en la esquina superior derecha de la portada de este manual de instrucciones.
2. Haz clic sobre tu producto en la lista de resultados de la búsqueda y sobre el enlace de video en la sección "Información general del producto".

GRACIAS POR TU COMPRA

Apreciamos la confianza que has depositado en Hampton Bay al comprar este ventilador de techo. Nos esforzamos para continuamente crear productos de calidad diseñados para mejorar tu hogar. Visítanos por Internet para ver nuestra línea completa de productos disponibles para las necesidades de mejoras de tu hogar. ¡Gracias por elegir Hampton Bay!

Tabla de contenido

Tabla de contenido	2	Ensamblaje.....	7
Información de seguridad.....	2	Funcionamiento	15
Garantía	3	Mantenimiento y limpieza.....	16
Preinstalación	3	Solución de problemas	16
Instalación.....	6		

Información de seguridad

1. Para disminuir el riesgo de descarga eléctrica, asegúrate de cortar la electricidad del cortacircuitos o la caja de fusibles antes de comenzar.
2. Todo el cableado debe cumplir con el Código Nacional de Electricidad ANSI/NFPA 70-1999 y con los códigos locales de electricidad. La instalación eléctrica debe ser hecha por un electricista certificado y calificado.
3. La caja eléctrica y estructura de soporte deben montarse de forma segura y tener capacidad para sostener de manera confiable 15.9 kg. Usa solamente cajas eléctricas aprobadas por UL marcadas como “apropiada para sostener ventiladores de 15.9 kg o menos”.
4. El ventilador debe ir montado con un mínimo de 2.13 m de separación entre el borde trasero de las aspas y el piso.
5. No muevas el interruptor de reversa mientras las aspas del ventilador estén en movimiento. Debes apagar y detener las aspas antes de dar reversa a la dirección de estas.
6. No coloques objetos en la trayectoria de las aspas.
7. Para evitar lesiones físicas o daños al ventilador y otros artículos, ten cuidado al limpiar el ventilador o al trabajar cerca de él.
8. Los diagramas eléctricos son sólo para referencia. Los kits de luces no empaquetados con el ventilador deben estar aprobados por UL y marcados como apropiados para ser usados con el modelo de ventilador que estás instalando. Los interruptores deberán estar clasificados por UL como de uso general. Consulta las instrucciones adjuntas a los kits de luces e interruptores para obtener información sobre el ensamblaje adecuado.
9. Después de concluir las conexiones eléctricas, debes voltear los conductores empalmados hacia arriba y meterlos con cuidado en la caja eléctrica. Los cables deben estar separados con el cable a tierra y el conductor a tierra del equipo hacia uno de los lados de la caja eléctrica.
10. Todos los tornillos de fijación deben ser verificados y ajustados donde sea necesario, antes de la instalación.



ADVERTENCIA: Para reducir el riesgo de lesiones personales, no dobles los soportes de las aspas (también llamadas bridas) durante el ensamblaje o después de la instalación. No coloques objetos en la trayectoria de las aspas.



ADVERTENCIA: Quita los tapones de goma del motor en la parte inferior del ventilador antes de instalar las aspas o de verificar el motor.



ADVERTENCIA: Para reducir el riesgo de incendio o descarga eléctrica, no utilices este ventilador con ningún dispositivo de control de velocidad de estado sólido.



ADVERTENCIA: Para reducir el riesgo de incendio, descarga eléctrica o lesiones personales, instala sólo en una caja eléctrica clasificada como “apropiada para sostener ventiladores de 15.9 kg o menos” y usa los tornillos que vienen con la misma.



ADVERTENCIA: Para evitar una posible descarga eléctrica, desconecta la electricidad de la caja de fusibles principal antes de realizar el cableado. Si crees que no tienes suficiente conocimiento o experiencia sobre cableado eléctrico, contacta a un electricista certificado.



ADVERTENCIA: Los diagramas eléctricos son sólo para referencia. Cualquier juego de luces opcional debe estar aprobado por UL y marcado como adecuado para ser usado con este ventilador.



ADVERTENCIA: Para disminuir el riesgo de incendio o descarga eléctrica este ventilador sólo debe ser usado con un control de velocidad de ventilador identificado con el núm. de pieza FAN-18R-CFL.

Garantía

El proveedor garantiza de por vida, a partir de la fecha en que el comprador original lo adquiere, que el motor del ventilador no presenta defectos de fabricación ni de materiales al momento en que es enviado desde la fábrica. El proveedor también garantiza por un período de un año, a partir de la fecha de compra por el comprador original, que ninguna de las demás piezas del ventilador, sin incluir las aspas de vidrio o acrílico, presenta defectos de fabricación o de material en el momento de su salida de la fábrica. Acordamos reparar todos los defectos del tipo antes mencionado sin cargo alguno o, a nuestra discreción, reemplazar el producto por un modelo de igual calidad o superior si el producto es devuelto. Para obtener servicio de garantía, debe presentar una copia del recibo como comprobante de compra. Todos los costos de retiro y reinstalación del producto son su responsabilidad. Los daños a cualquiera de las piezas como resultado de accidentes, uso inadecuado, instalación inadecuada, o debidos a la instalación de cualquier accesorio, no están cubiertos bajo esta garantía. Debido a que las condiciones climáticas pueden variar, esta garantía no cubre ningún cambio en el acabado en bronce, incluyendo óxido, perforación, corrosión, manchas o descascaramiento. Los acabados en bronce de este tipo tienen una vida útil más prolongada cuando se los protege de las condiciones climáticas cambiantes. Es normal cierta "oscilación" y no se considerará un defecto. Cualquier servicio realizado por personal no autorizado invalidará la garantía. No existe ninguna otra garantía expresa. Mediante la presente, Hampton Bay se exime de cualquier garantía, incluyendo, entre otras, aquellas de comercialización e idoneidad para un fin particular, de acuerdo con lo contemplado por la ley. La duración de cualquier garantía implícita que no se pueda eximir está limitada al período de tiempo especificado en la garantía explícita. Algunos estados no permiten una limitación en la duración de la garantía; por consiguiente, la limitación anterior puede no aplicarse a su caso. El minorista no será responsable por daños directos, indirectos o especiales que resulten o deriven del uso o rendimiento del producto, excepto en casos en que lo estipule la ley. Algunos estados no permiten la exclusión o limitación de daños directos o indirectos, por lo que la limitación o exclusión anterior podría no aplicarse a su caso. Esta garantía le otorga derechos legales específicos y es posible que también tenga otros derechos que varían de un estado a otro. Esta garantía sustituye todas las garantías anteriores. Los costos de envío de cualquier devolución de productos hecha como parte de una reclamación de garantía están a cargo del cliente.

Comuníquese con el equipo de servicio al cliente al 1-855-HD-HAMPTON o visite www.HamptonBay.com.

Preinstalación

ESPECIFICACIONES

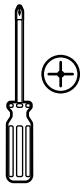
Tamaño	Velocidad	Voltios	Amperes	Watts	RPM	CFM	Peso neto	Peso bruto	Pies cúbicos
1.12 m	Baja	120	0.28	11	75	1300	18.74 lb (8.5 kg)	22.3 Lb (10.1 kg)	1.68 pies cúbicos
	Media		0.36	23	120	2076			
	Alta		0.42	47	180	3035			



NOTA: Estas medidas son aproximadas. No incluyen ni el amperaje ni el vataje consumido por el kit de luces.



HERRAMIENTAS NECESARIAS



Destornillador
Phillips



Destornillador
plano



Llave
ajustable



Cinta de
electricista



Cortacables /
pelacables



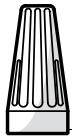
Escalera de tijera

Preinstalación (continuación)

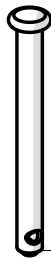
HERRAJES INCLUIDOS



NOTA: No se muestra el tamaño real de los herrajes.



AA



BB



CC



DD



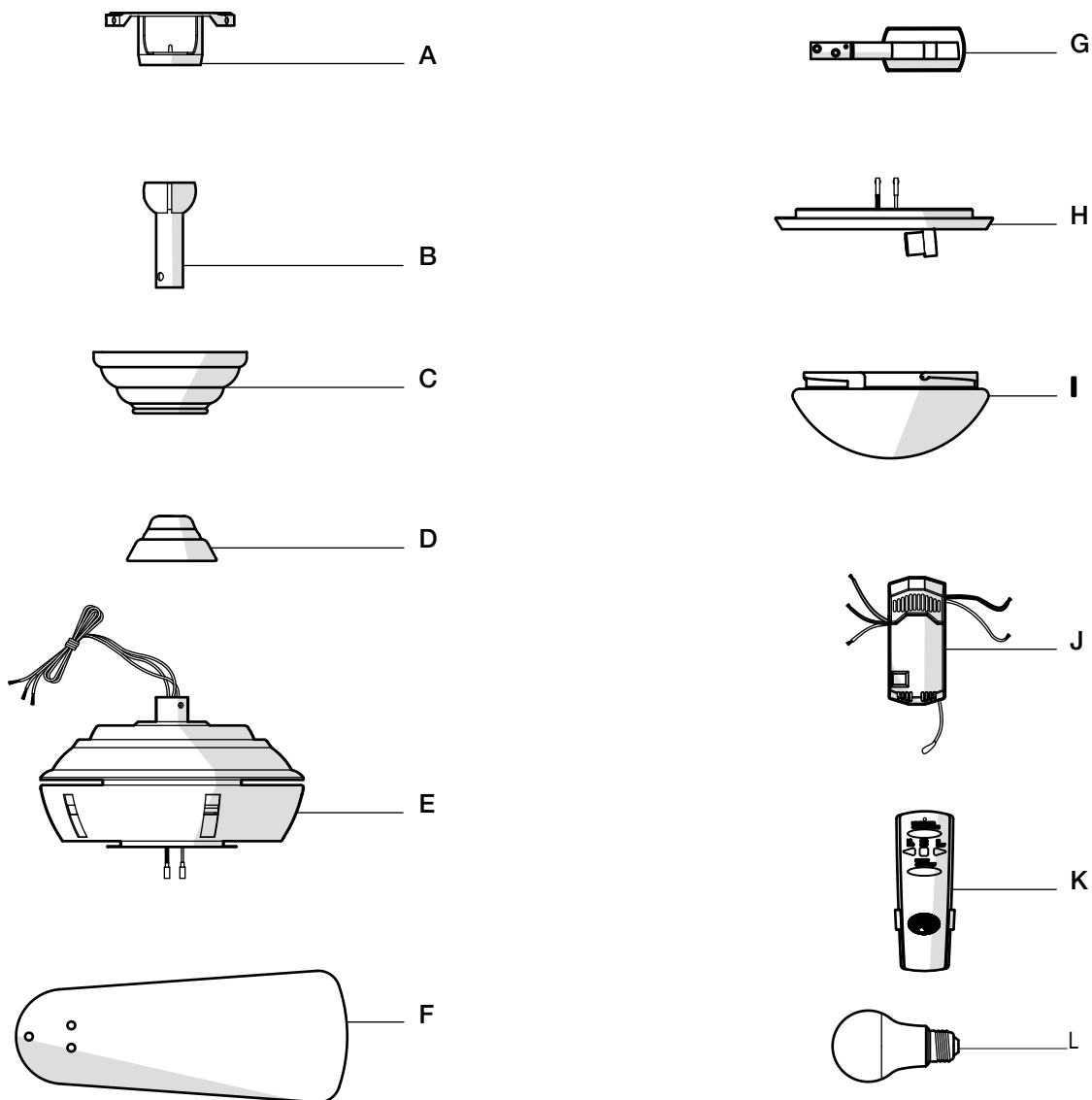
EE

Pieza	Descripción	Cantidad
AA	Conector plástico para cables	3
BB	Pasador de soporte	1
CC	Pasador de cierre	1
DD	Tornillos para montaje de aspas	16

Pieza	Descripción	Cantidad
EE	Herrajes para montaje de aspas (tornillo y arandela de seguridad)	11

Preinstalación (continuación)

CONTENIDO DEL PAQUETE



Pieza	Descripción	Cantidad
A	Soporte de montaje deslizante (dentro de la cubierta)	1
B	Ensamblaje de tubo bajante/bola	1
C	Cubierta con anillo de cubierta incorporado	1
D	Cubierta decorativa del collarín del motor	1
E	Ensamblaje del motor del ventilador	1

Pieza	Descripción	Cantidad
F	Aspa	5
G	Soporte de aspa	5
H	Ensamblaje del soporte del kit de luces	1
I	Pantalla de vidrio	1
J	Receptor	1
K	Control remoto	1
L	Bombillas LED, máximo de 9.5 W	1



IMPORTANTE: Este producto y/o sus componentes están protegidos por una o más de las siguientes patentes de E.E.U.U.: 5,947,436; 5,988,580; 6,010,110; 6,046,416, 6,210,117 y otras patentes pendientes.

Instalación

OPCIONES DE MONTAJE

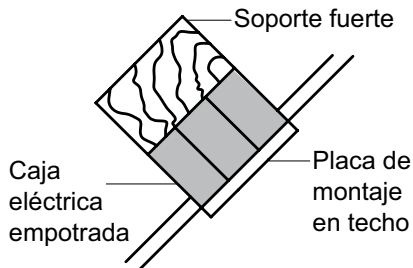
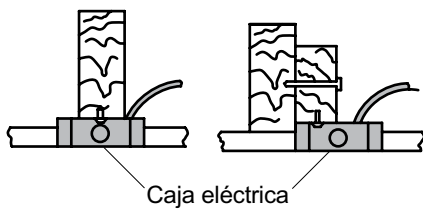
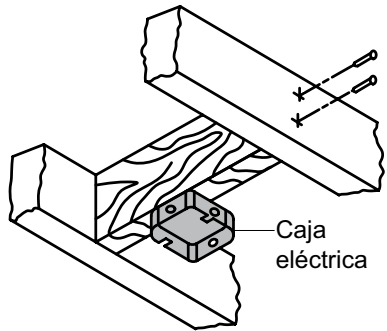


ADVERTENCIA: Para reducir el riesgo de incendio, descarga eléctrica o lesiones personales, instala en una caja eléctrica clasificada como “apropiada para sostener ventiladores de 15.9 kg o menos” y usa tornillos de montaje que vienen con la misma. Las cajas eléctricas utilizadas comúnmente para el soporte de lámparas pueden no servir como soporte de ventilador y tal vez deban reemplazarse. En caso de duda, consulta a un electricista calificado.

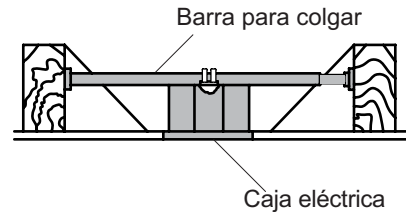
Si tu ventilador de techo no tiene una caja de montaje aprobada por UL, instala una siguiendo las instrucciones a continuación:

- Desconecta la energía retirando los fusibles o apagando los cortacircuitos.
- Asegura la caja eléctrica directamente a la estructura de la edificación. Usa los sujetadores y materiales apropiados. La caja eléctrica y su soporte deben sostener completamente el peso en movimiento del ventilador (al menos 15.9 kg). No uses una caja eléctrica de plástico.

Las ilustraciones a continuación muestran tres formas distintas de montar la caja eléctrica.



NOTA: Tal vez necesites un tubo bajante más largo para mantener la altura mínima adecuada de las aspas, al instalar el ventilador en un techo inclinado. El ángulo máximo permitido es de 30° con respecto a la posición horizontal.

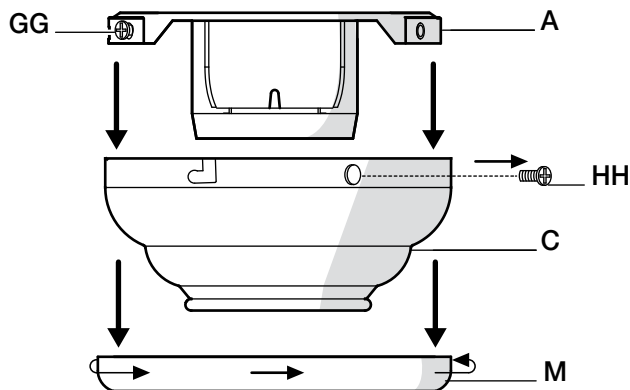


Si la cubierta toca el tubo bajante, retira la cubierta inferior de la tapa decorativa y gira la cubierta 180° antes de fijarla a la placa de montaje. Para colgar tu ventilador donde ya haya una lámpara pero ninguna viga de techo, tal vez necesites una barra colgante como se mostró anteriormente (disponible en cualquier tienda de The Home Depot).

Ensamblaje - Montaje estándar en techo

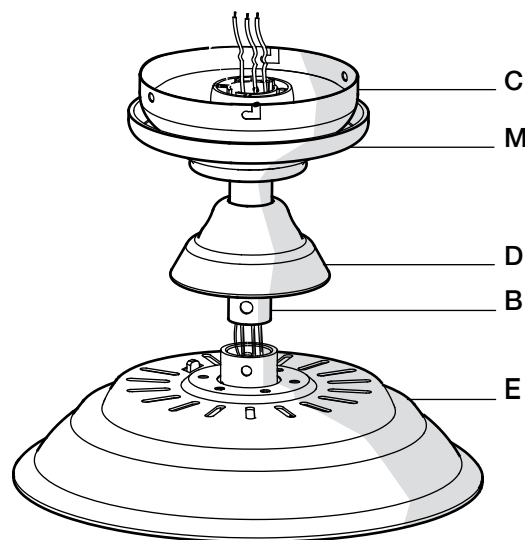
1 Preparación para el montaje

- Retira el aro de cubierta (M) de la cubierta (C), girándolo en sentido contrario a las manecillas del reloj hasta soltarlo.
- Retira el soporte de montaje (A) de la cubierta (C) aflojando los dos tornillos de la cubierta (GG) ubicados en las ranuras en forma de "L".
- Quita y guarda los dos tornillos de la cubierta (HH) en los orificios redondos. Esto te permitirá retirar el soporte de montaje (A).



2 Disposición de los cables

- Inserta los cables que salen por la parte superior del ensamblaje del motor del ventilador (E) a través del centro del anillo de la cubierta (M). Asegúrate de que las ranuras del anillo de la cubierta (M) estén en la parte superior.
- Inserta el tubo bajante/bola (B) a través de la cubierta (C) y desliza la cubierta decorativa del collarín del motor (D) en el extremo del tubo bajante/bola (B). Asegúrate de que las ranuras de la cubierta (C) estén en la parte superior.
- Inserta los cables que salen por la parte superior del ensamblaje del motor del ventilador (E) a través del tubo bajante (B) como se muestra.

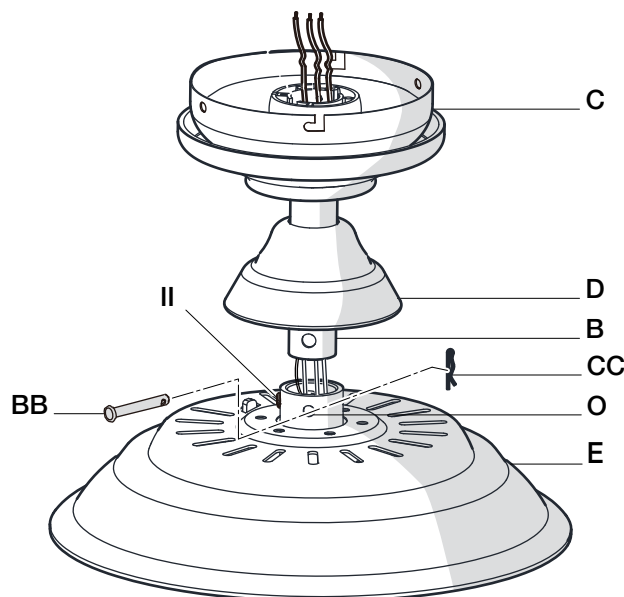


3 Cómo ensamblar el ventilador



ADVERTENCIA: Si no instalas correctamente el pasador de cierre es posible que el ventilador se afloje y caiga.

- Afloja, sin quitar, el tornillo de fijación (II) del collarín (O) ubicado en la parte superior del ensamblaje del motor del ventilador (E).
- Alinea los orificios en la parte inferior del tubo bajante (B) con los orificios en el collarín (O) de la parte superior del ensamblaje del motor del ventilador (E).
- Inserta con cuidado el pasador de soporte (BB) a través de los orificios del collarín (O) y del tubo bajante (B). Ten cuidado de no forzar el pasador de soporte (BB) contra el cableado dentro del tubo bajante (B).
- Inserta el pasador de cierre (CC) en el orificio cercano al extremo del pasador de soporte (BB) hasta que quede encajado en su posición.
- Aprieta nuevamente el tornillo de fijación (II) del collarín (O) ubicado en la parte superior del ensamblaje del motor del ventilador (E).



Ensamblaje - Cómo colgar el ventilador

1 Cómo instalar el soporte de montaje en la caja eléctrica

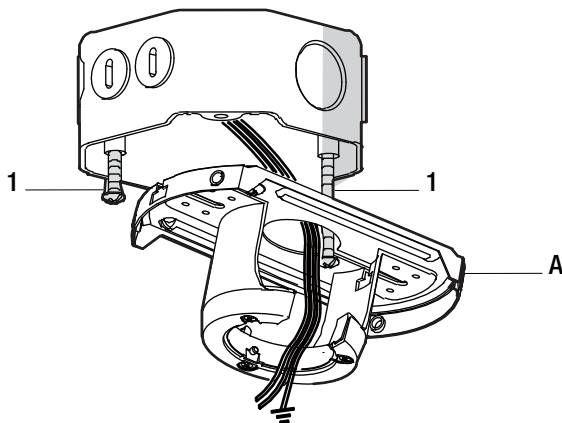


ADVERTENCIA: Para reducir el riesgo de incendio, descarga eléctrica o lesiones personales, instala en una caja eléctrica clasificada como “apropiada para sostener ventiladores de 15.9 kg o menos” y usa los tornillos que vienen con la misma.



NOTA: El soporte de montaje (A) está diseñado para ser colocado sobre una caja eléctrica con los tornillos de esta (1) ya instalados.

- Afloja los dos tornillos de montaje (1) de la caja eléctrica.
- Pasa los cables de suministro de 120 voltios a través del orificio central en el soporte de montaje (A).
- Desliza el soporte de montaje (A) en los tornillos de montaje (1) y centra el soporte (A) en relación con la caja eléctrica. Si es necesario, usa arandelas niveladoras (no se incluyen) entre el soporte de montaje deslizante (A) y la caja eléctrica. El lado plano del soporte de montaje deslizante (A) debe estar hacia la caja eléctrica, como se muestra.
- Aprieta bien los dos tornillos de montaje (1).



2 Cómo colgar el ventilador

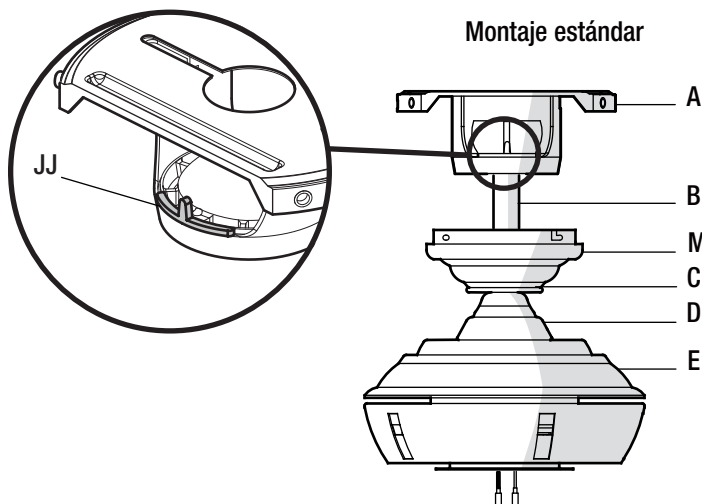


ADVERTENCIA: El gancho (JJ) debe usarse para sostener el ventilador solo mientras se hacen las conexiones eléctricas. Si no se cuelga como se muestra puede romperse el gancho (JJ) y el ventilador caerá. El gancho debe pasar de adentro hacia fuera de la cubierta.



ADVERTENCIA: Al colgar el ventilador en el gancho (JJ), es fundamental que uses uno de los orificios sin ranura (redondos) de la cubierta (C).

- Con cuidado levanta el ensamblaje del motor del ventilador (E) hasta el soporte de montaje deslizante (A).
- Inserta la bola de soporte del ensamblaje del tubo bajante/bola en el casquillo del soporte de montaje deslizante.
- Gira el ensamblaje del tubo bajante/bola en el sentido de las manecillas del reloj hasta que quede encajado, con la pestaña del soporte de montaje alineada con la ranura de la bola.



Ensamblaje - Cómo colgar el ventilador (continuación)

3 Cómo configurar el código del control remoto y el receptor

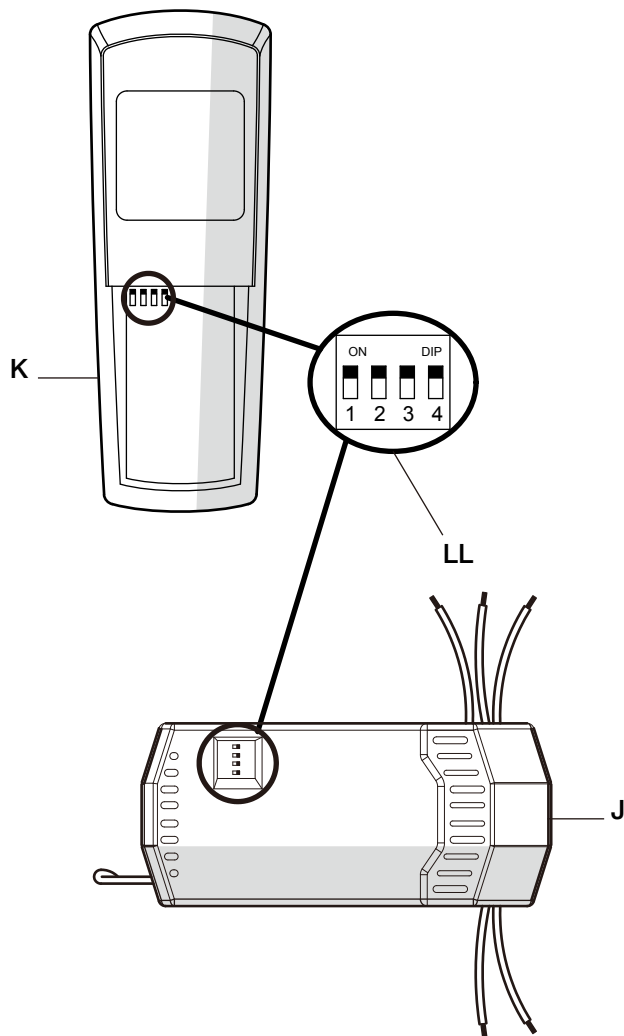


NOTA: Las frecuencias del receptor y control remoto han sido preconfiguradas de fábrica. Antes de instalar el receptor, asegúrate de que los interruptores en línea del receptor y el control remoto estén configurados en la misma frecuencia. Los interruptores en el control remoto están ubicados dentro del compartimento de la batería.



NOTA: La batería se debilitará con el tiempo y deberá ser reemplazada antes de que se produzca alguna fuga, ya que esto dañará el control remoto. Desecha la batería adecuadamente y mantenla fuera del alcance de los niños.

- Quita la cubierta de la batería del control remoto (K) presionando con firmeza en la flecha y deslizando la cubierta hasta soltarla.
- Desliza los interruptores en línea a tu elección hacia arriba o hacia abajo. Las configuraciones de fábrica son hacia arriba.
- Desliza los interruptores en línea (LL) del receptor (J) hacia la misma posición que elegiste para el control remoto (K).
- Coloca de nuevo la cubierta de la batería en el control remoto (K).



4 Cómo instalar el receptor



ADVERTENCIA: Para reducir el riesgo de incendio o de descarga eléctrica, recuerda desconectar la electricidad. El cableado eléctrico debe cumplir todos los requisitos de códigos eléctricos nacionales y locales. La fuente de energía y el ventilador deben ser de 110/120 voltios y 60 Hz. No utilices este producto con ningún control de pared variable. Conectar el cableado de manera incorrecta dañará este receptor.

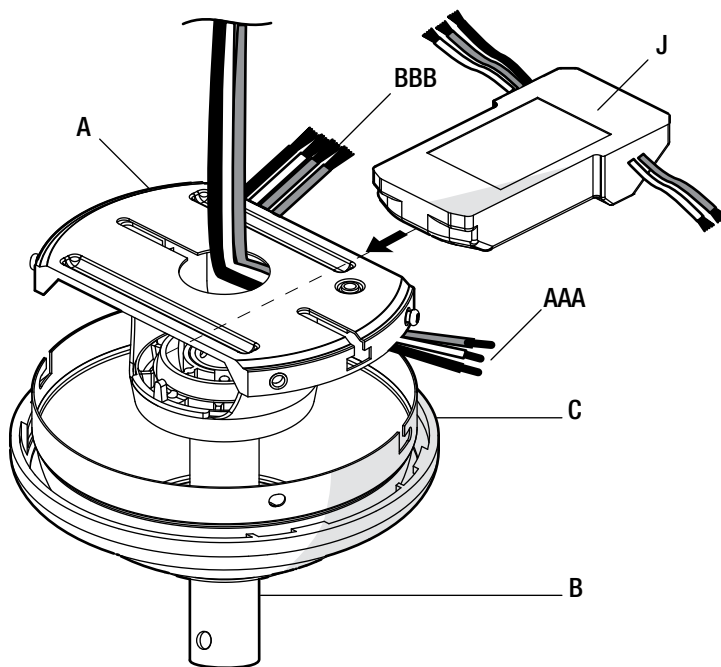


PRECAUCIÓN: Si otros cables del ventilador son de color diferente, un electricista certificado deberá instalar esta unidad.



PRECAUCIÓN: No instales el receptor en lugares húmedos ni lo sumerjas en agua (sólo para uso en interiores). No hales ni recortes los cables terminales del receptor. No dejes caer ni golpees la unidad.

- Ubica los cables de suministro doméstico (AAA) en un lado del soporte de montaje deslizante (A) y coloca los cables del ventilador (BBB) en el lado opuesto.
- Inserta el extremo angosto del receptor (como se muestra; el lado plano hacia el techo) en el soporte de montaje deslizante hasta quedar apoyado en la parte superior del ensamblaje del tubo bajante/bola.



Ensamblaje - Cómo colgar el ventilador (continuación)

5 Cómo conectar los cables del receptor a los cables del hogar



ADVERTENCIA: Para evitar una posible descarga eléctrica, desconecta la electricidad de la caja de fusibles principal antes de realizar el cableado. Si crees que no tienes suficiente conocimiento o experiencia sobre cableado eléctrico, contacta a un electricista certificado.

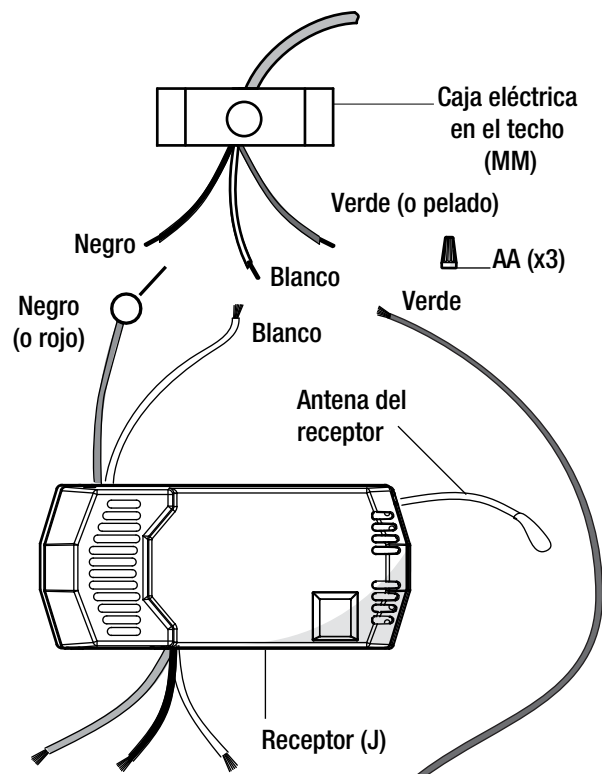


ADVERTENCIA: Cada cable no suministrado con este ventilador está diseñado para aceptar un máximo de un solo circuito eléctrico doméstico de calibre 12 y dos cables del ventilador. Si tienes un cableado doméstico superior a calibre 12 o más de un cable doméstico para conectar al cableado del ventilador, consulta a un electricista para conocer el tamaño adecuado de las tuercas para cables a usar.



IMPORTANTE: Usa las tuercas de conexión de cables (AA) incluidas con tu ventilador. Sujeta los conectores con cinta de electricista y asegúrate de que no haya conexiones o cables sueltos.

- Separa los cables de manera que los cables verde y blanco queden de un lado de la caja eléctrica y el cable negro quede del otro lado.
- Conecta los cables verdes del ventilador al cable de conexión a tierra de la casa (este puede ser verde o pelado) con una tuerca de conexión de cables (AA).
- Conecta el cable negro (o rojo) del receptor al cable negro del hogar (positivo), usando una tuerca de conexión de cables (AA).
- Conecta el cable blanco del receptor al cable blanco del hogar (neutro), usando una tuerca de conexión de cables (AA).
- Asegura cada tuerca de conexión de cables con cinta de electricista.



Ensamblaje - Cómo colgar el ventilador (continuación)

6 Cómo conectar los cables del ventilador al receptor



ADVERTENCIA: Quita los tapones de goma del motor en la parte inferior del ventilador antes de instalar las aspas o de verificar el motor.



IMPORTANTE: Usa las tuercas de conexión de cables (AA) incluidas con tu ventilador. Sujeta los conectores con cinta de electricista y asegúrate de que no haya conexiones o cables sueltos.

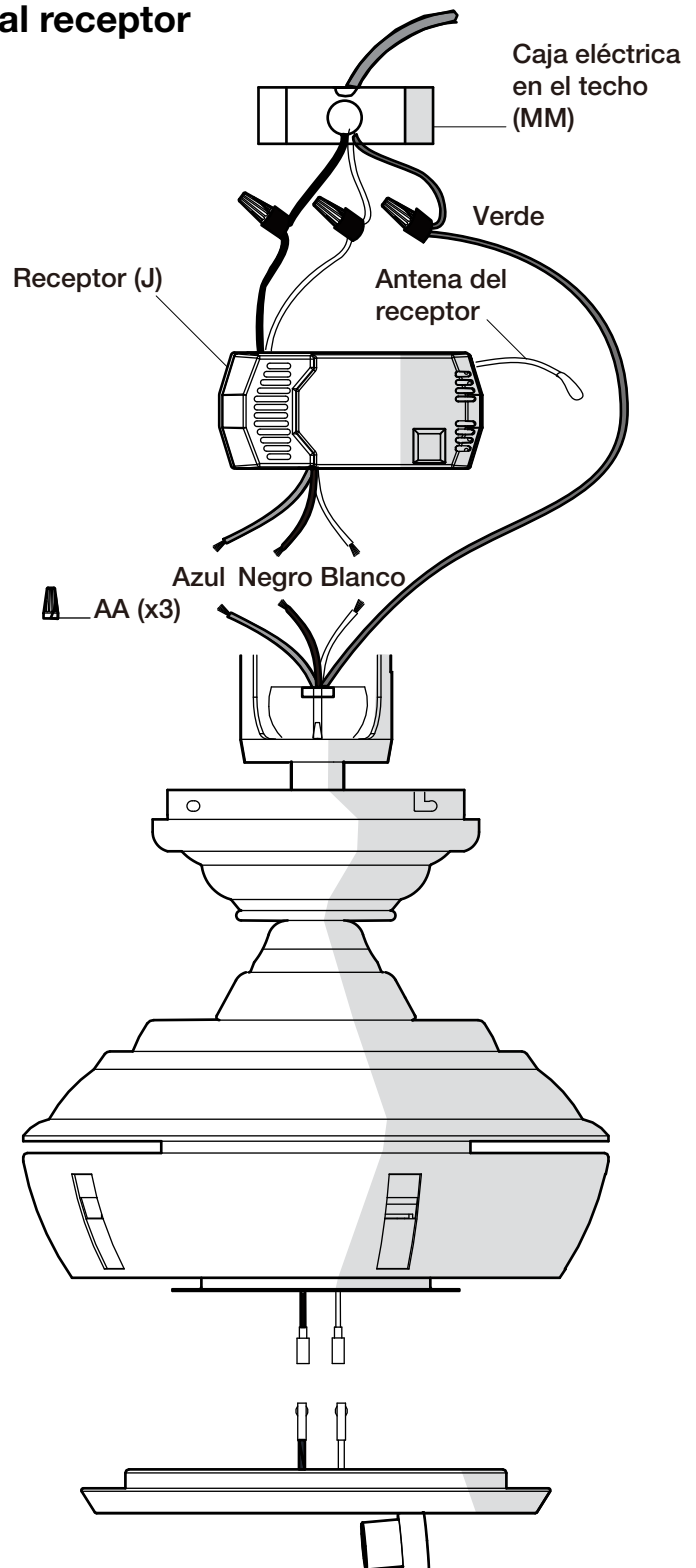


IMPORTANTE: Si luego de este paso decides verificar si las conexiones se realizaron correctamente, es fundamental montar el kit de luces usando el conector rápido antes de realizar la verificación. El ventilador funcionará solamente si el kit de luces está conectado al ventilador.



NOTA: El ventilador viene con cables terminales de 76.2 cm para usar con un ensamblaje extendido de tubo bajante/bola. Si usas el ensamblaje extendido de tubo bajante/bola (B) de 11.4 cm incluido, puedes recortar los cables terminales al largo deseado (no menos de 30.5 cm).

- El ventilador viene con cables terminales de 76.2 cm para uso con un ensamblaje extendido de tubo bajante/bola. Si usas el ensamblaje extendido de tubo bajante/bola (B) de 11.4 cm incluido, puedes recortar los cables terminales al largo deseado (no menos de 30.5 cm). Esto dejará más espacio en la cubierta (C). Si no quieres cortar los cables, deberás enrollarlos cuidadosamente.
- Conecta el cable blanco del motor del ventilador al cable blanco del receptor usando una tuerca de conexión de cables (AA).
- Conecta el cable negro del motor del ventilador al cable negro del receptor usando una tuerca de conexión de cables (AA).
- Conecta el cable azul del motor del ventilador al cable azul del receptor usando una tuerca de conexión de cables (AA).
- Asegura cada tuerca de conexión de cables con cinta de electricista.
- Gira la tuerca de conexión de cables (AA) hacia arriba y coloca el cableado dentro de la caja eléctrica (MM).



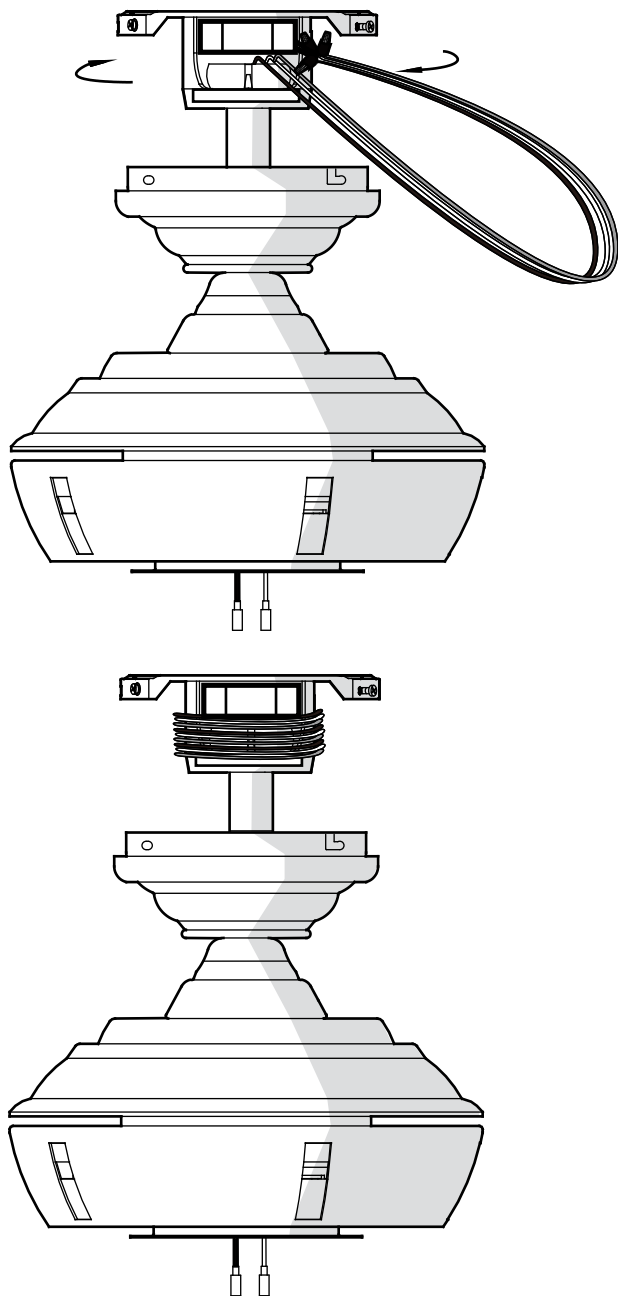
Ensamblaje - Cómo colgar el ventilador (continuación)

7 Cómo enroskar el cable sobrante



NOTA: Sigue estos pasos **SOLAMENTE** si no cortaste el cable sobrante del ventilador de techo hacia el receptor.

- Con cuidado, enrolla el exceso de cable alrededor del soporte de montaje debajo del receptor.
- Asegura con cinta de electricista.



8 Cómo montar el ensamblaje del motor del ventilador (montaje estándar)

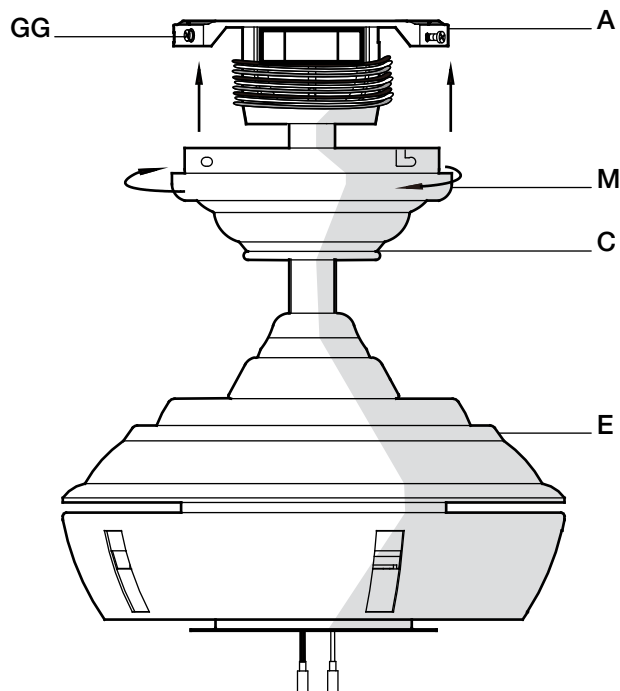


ADVERTENCIA: Cuando uses el montaje de tubo bajante/bola estándar, la pestaña en el aro en la parte inferior del soporte de montaje debe encajar en la ranura de la bola de soporte. Si la pestaña no se asienta correctamente en la ranura, se puede dañar el cableado.



ADVERTENCIA: Las ranuras de cierre de la cubierta del techo sólo sirven de ayuda durante la instalación. **No dejes sin supervisión el ensamblaje del ventilador hasta que los cuatro tornillos de la cubierta estén fijos y firmemente ajustados.**

- Alinea las ranuras de cierre de la cubierta de techo (C) con los dos tornillos (GG) del soporte de montaje (A). Alza para enganchar las ranuras y gira de izquierda a derecha para asegurarla en su sitio.
- Ajusta firmemente los dos tornillos de montaje.
- Instala los dos tornillos de montaje (guardados en el paso 1 del ensamblaje, "cómo preparar la instalación") en los orificios de la cubierta (C) y aprieta firmemente.
- Instala el aro (M) de la cubierta decorativa alineando las ranuras del aro con los tornillos en la cubierta (C). Gira el aro en sentido de las manecillas del reloj para fijarlo en su lugar.



Ensamblaje - Cómo fijar las aspas del ventilador

1 Cómo fijar las aspas a los soportes de las aspas



ADVERTENCIA: Quita los tapones de goma del motor en la parte inferior del ventilador antes de instalar las aspas o de verificar el motor.

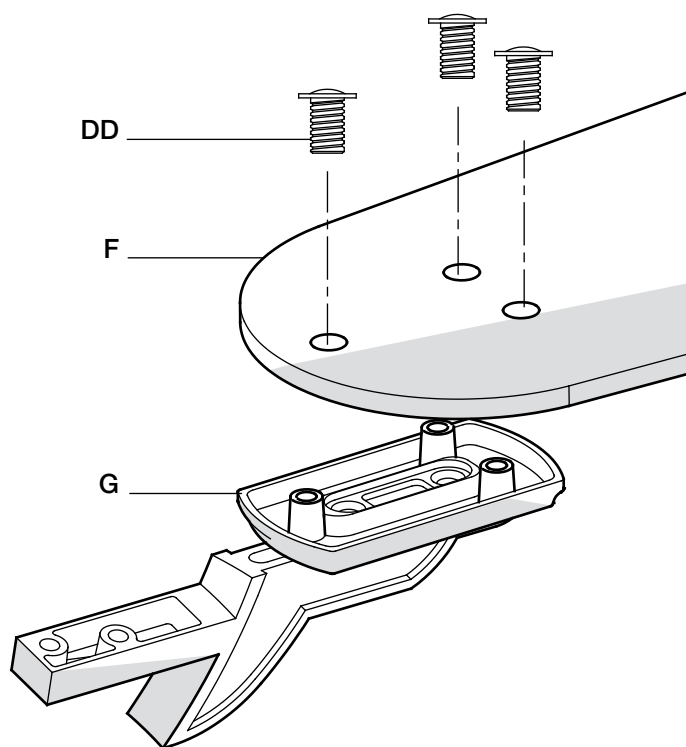


NOTA: Tu ventilador cuenta con avances novedosos para facilitar y acelerar la instalación de las aspas. Esto incluye un poste de alineación y tornillos fijos para el soporte de las aspas.



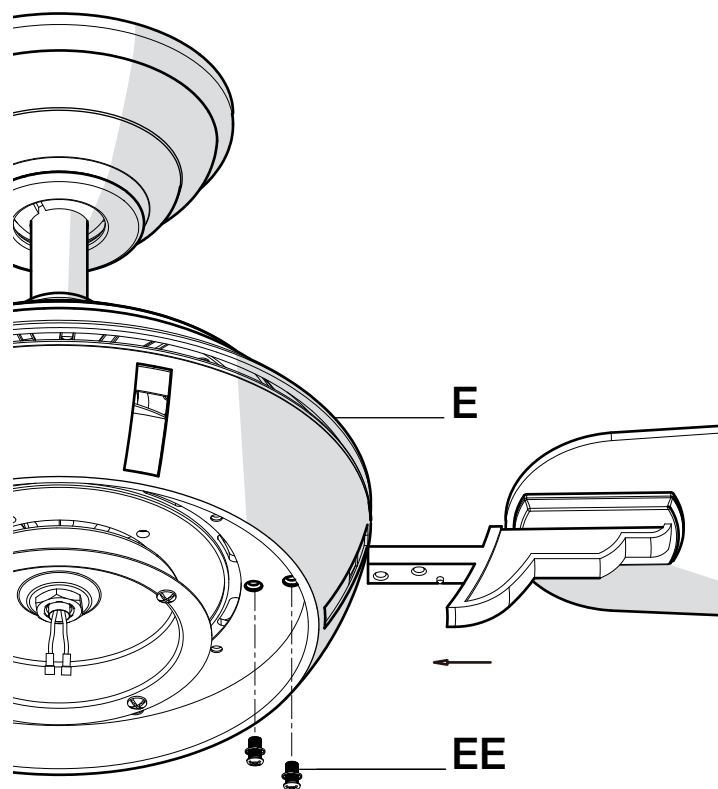
NOTA: Las aspas de tu ventilador son reversibles. Elige el acabado del asa por el lado que mejor resalte tu decoración.

- Fija un asa (F) en un soporte de asa (G) colocando los tornillos (DD) en los orificios del asa y a través del soporte de esta para asegurarlas.
- Aprieta firmemente todos los tornillos.
- Repite estos pasos para cada asa (F) y soporte del asa (G).



2 Cómo fijar los ensamblajes de las aspas al motor

- Inserta el asa / ensamblaje del soporte del asa por el orificio al costado del volante central del ensamblaje del motor del ventilador (E), alinea los dos orificios de tornillo en el soporte del asa con los del volante central e inserta los tornillos del soporte del asa (EE). Ajustalos firmemente.
- Repite este paso para los ensamblajes de asa restantes.



Ensamblaje - Cómo instalar las lámparas

1 Cómo instalar el ensamblaje del soporte del kit de luces



PRECAUCIÓN: Para disminuir el riesgo de descarga eléctrica, desconecta el circuito de energía del ventilador antes de instalar la lámpara.



IMPORTANTE: Es fundamental instalar el kit de luces usando el conector rápido. El ventilador funcionará solamente si el kit de luces está conectado al ventilador.



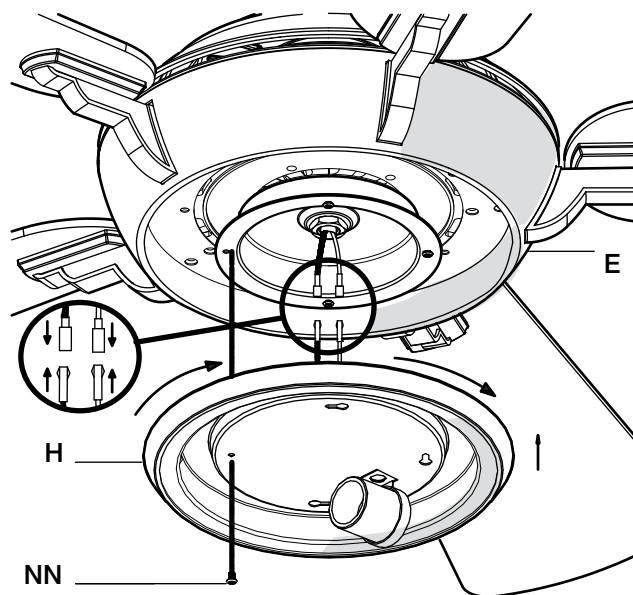
NOTA: Marca la posición del interruptor deslizante del ventilador. Este es el interruptor utilizado para cambiar la dirección de rotación del ventilador. Para más información sobre el funcionamiento de este interruptor, consulta *Cómo usar tu ventilador* en la página 15.



NOTA: Este kit de luces no puede transferirse a otro ventilador.

- Para colocar el ensamblaje del soporte del kit de luces (H), quita el tornillo sin ranura (NN) del ensamblaje del motor del ventilador (E) y afloja los otros tres tornillos, pero sin quitarlos.
- Conecta el cable azul que sale por debajo del ensamblaje del motor del ventilador (E) con el cable negro del ensamblaje del soporte del kit de luces (H) enganchando el enchufe con adaptador moldeado.
- Conecta el cable blanco que sale por debajo del ensamblaje del motor del ventilador (E) con el cable blanco del ensamblaje del soporte del kit de luces (H) enganchando el enchufe con adaptador moldeado.
- Vuelve a meter con cuidado todos los cables.

- Coloca el ensamblaje del kit de luces (H) sobre el ensamblaje del motor del ventilador, alineando cada uno de los cuatro orificios.
- Rota el ensamblaje del kit de luces (H) de izquierda a derecha para enganchar los tres tornillos de montaje con los tres orificios tipo ojo de cerradura, ajusta los tornillos.
- Reinstala el tornillo sin ranura (NN) que retiraste en el paso 1 y apriétalo firmemente.

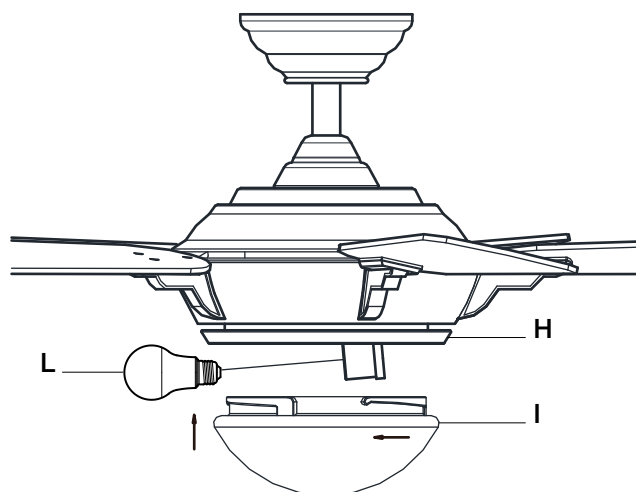


2 Cómo instalar las bombillas y colocar la pantalla de vidrio



ADVERTENCIA: No aprietes demasiado al instalar la pantalla de vidrio en el ensamblaje del kit de luces. Espera que la pantalla de vidrio se enfríe completamente antes de retirarla.

- Con el ventilador apagado, instala la bombilla LED (máximo 9.5 watts, incluidas) ajustándolas en los portabombillas.
- Coloca la pantalla de vidrio (I) en el ensamblaje del kit de luces (H), alineando las tres áreas planas en la brida superior de la pantalla de vidrio (I) con las tres muescas salientes del ensamblaje del kit de luces. Gira la pantalla de vidrio (I) en el sentido de las manecillas del reloj hasta que no gire más.



Funcionamiento

CÓMO USAR TU VENTILADOR

El ventilador está equipado con un control remoto que controla la velocidad y las luces de tu nuevo ventilador de techo.

Las configuraciones de velocidad para clima cálido o frío dependen de factores como el tamaño de la habitación, la altura del techo, la cantidad de ventiladores y demás.

El ventilador se envía desde la fábrica con el interruptor de reversa colocado para hacer circular el aire hacia abajo. Si deseas dirigir la corriente de aire en la dirección contraria, apaga el ventilador y espera que las aspas se detengan. Desliza el interruptor de reversa (OO) (ubicado sobre la carcasa del motor) hacia la dirección opuesta y luego vuelve a prender el ventilador. Las aspas del ventilador girarán en sentido contrario y revertirán la dirección de la corriente de aire.

NOTA: Espera a que se detenga el ventilador antes de invertir la dirección de giro de las aspas.

A. Clima cálido - (Hacia adelante) Un flujo de aire descendente crea un efecto refrescante. Esto te permite programar el aire acondicionado en una configuración más alta sin afectar tu comodidad.

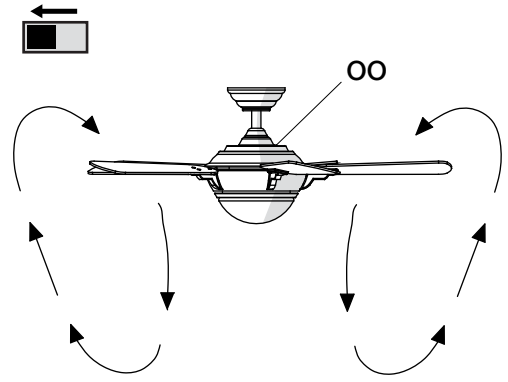
B. Clima frío - (Reversa) Un flujo de aire hacia arriba mueve el aire cálido lejos del techo. Esto te permite configurar la unidad de calefacción en una configuración más baja sin afectar tu comodidad.

CÓMO USAR DEL CONTROL REMOTO

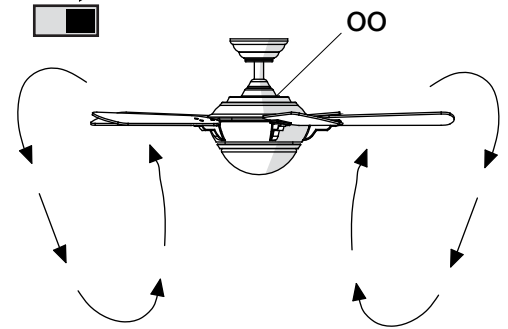
NOTA: Este control remoto está equipado con una combinación de 16 códigos. Para evitar posibles interferencias desde o hacia otras unidades de control remoto, como los abrepuertas de garajes, alarmas de autos o sistemas de seguridad, cambia el código de combinación pero asegúrate de que el código del control remoto y del receptor del ventilador sean iguales.

- Quita el recubrimiento protector de la batería.
- Quita la cubierta de la batería del control remoto.
- Instala la batería de 9 V (no incluida) en el compartimiento de la batería del control remoto (K).
- Coloca de nuevo la cubierta en el control remoto.
- Oprime el botón deseado del control remoto (K) para usar el ventilador:
 - Botón "High" (Alto): Oprime para encender el ventilador a velocidad alta.
 - Botón "Med" (Medio): Oprime para encender el ventilador a velocidad media.
 - Botón "Low" (Bajo): Oprime para encender el ventilador a velocidad baja.
 - Botón de apagado (UU): Oprime para apagar el ventilador.
 - Botón para luces (V V): Oprime y suelta el botón inmediatamente para encender o apagar la luz.

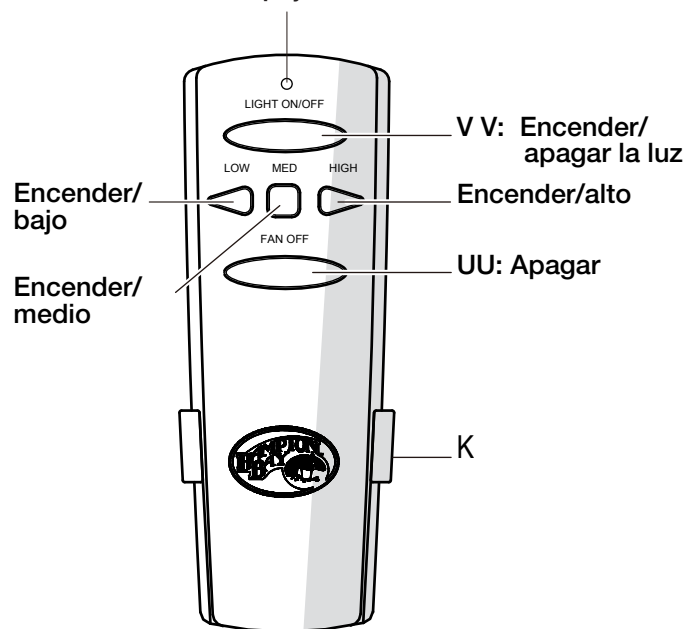
A. Clima cálido



B. Clima frío



Indicador de encendido se iluminará cuando se empujan los botones



Mantenimiento y limpieza



ADVERTENCIA: Asegúrate de que la electricidad esté desconectada antes de limpiar tu ventilador.

- Debido al movimiento natural del ventilador, algunas conexiones pueden aflojarse. Revisa las conexiones de soporte, los soportes y los accesorios de las aspas dos veces al año. Verifica que estén seguros. No es necesario desmontar el ventilador del techo.
- Limpia el ventilador con frecuencia para que luzca como nuevo con el paso de los años. No uses agua al limpiar. Esto puede dañar el motor o la madera o causar descargas eléctricas. Usa solamente un cepillo suave o un paño sin pelusas para evitar arañar el acabado. El revestimiento está sellado con laca para minimizar la decoloración u opacidad.
- Puedes aplicar a la madera una fina capa de pulimento para muebles para una mayor protección y belleza. Cubre los arañazos pequeños con una leve aplicación de lustrador para calzado.
- No necesitas lubricar el ventilador. El motor tiene cojinetes de bola sellados permanentemente lubricados.

Solución de problemas

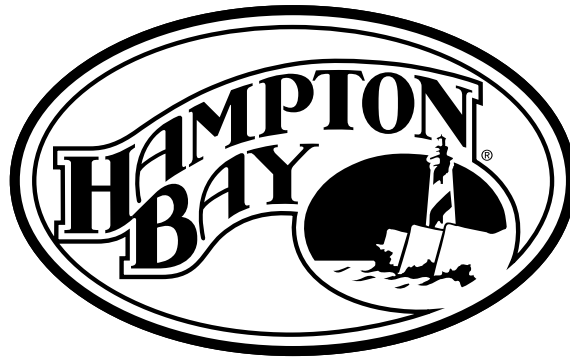
Problema	Solución
El ventilador no enciende.	<ul style="list-style-type: none">□ Verifica los fusibles o disyuntores principales y secundarios.□ Verifica que el enchufe del kit de luces esté conectado al enchufe del motor.□ Verifica las conexiones de cables en línea al ventilador y conexiones de cables del interruptor en la caja de interruptores.□ Revisa la batería del control remoto para asegurarte de haber quitado la envoltura protectora y de que tiene la orientación correcta.□ Asegúrate de estar en el rango normal de 3 a 6 metros.□ Asegúrate de que las configuraciones del interruptor en línea sean las mismas para el control remoto y el receptor.□ Recuerda desconectar la electricidad antes de verificar las configuraciones de los interruptores en línea.
El ventilador hace ruido.	<ul style="list-style-type: none">□ Asegúrate de que todos los tornillos de la carcasa del motor estén ajustados.□ Asegúrate de que los tornillos que unen el soporte de aspa al cuerpo del motor están bien ajustados.□ Asegúrate de que las conexiones de tuerca de cable no choquen unas con otras o con la pared interior de la caja del interruptor.□ Espera que transcurra un período de 24 horas de “adaptación”. La mayoría de los ruidos asociados con un nuevo ventilador desaparecen en ese período.□ Si usas el kit de luces del ventilador de techo, asegúrate de que los tornillos que sujetan el vidrio estén bien colocados. Verifica que las bombillas estén bien aseguradas.□ Asegúrate de que la cubierta esté a una corta distancia del techo. No debe tocar el techo.□ Asegúrate de que la caja eléctrica esté bien segura y que las almohadillas aislantes de goma se hayan instalado entre la placa de montaje y la caja eléctrica.
El ventilador oscila.	<ul style="list-style-type: none">□ Verifica que todos los tornillos del soporte de las aspas estén seguros y de que las aspas estén bien aseguradas en su lugar.□ La mayoría de los problemas de oscilación del ventilador se deben a que las aspas no están a un mismo nivel. Verifica este nivel seleccionando un punto en el techo sobre la punta de una de las aspas. Mide desde un punto en el centro de cada aspa al punto en el techo. Mide esta distancia. Gira el ventilador hasta que la próxima aspa quede posicionada para medir. Repite para cada aspa. Las desviaciones de la medición deben estar dentro de un rango de 3 mm. Enciende el ventilador durante diez minutos. Si el ventilador continúa oscilando, comunícate con el servicio al cliente y te enviarán un kit de compensación de aspas, sin costo alguno.

Este equipo fue sometido a prueba y se determinó que cumple con los límites establecidos para un dispositivo digital Clase B según la Parte 15 de las Normas FCC. Estos límites fueron establecidos para ofrecer protección razonable contra la interferencia dañina en uso residencial. Este equipo genera, consume y puede irradiar energía de radiofrecuencia; si no se instala y usa de acuerdo con las instrucciones, puede causar interferencia dañina a comunicaciones radiales. Sin embargo, no hay garantía de que no ocurrirá interferencia en una instalación particular. Si este equipo causa interferencia que perjudica la recepción de radio o televisión, lo cual puede determinarse encendiendo y apagando el equipo, se recomienda al usuario tratar de corregir la interferencia con una o más de las siguientes medidas:

- Reorientar o reubicar la antena receptora.
- Incrementar la distancia entre los equipos y el receptor.
- Conectar el equipo a un tomacorriente en circuito distinto al que el receptor está conectado.
- Consultar al concesionario o algún técnico de radio/TV con experiencia para ayuda.

PRECAUCIÓN:

Los cambios o modificaciones sin aprobación expresa del responsable de este dispositivo podrían anular el derecho del usuario a operar el equipo. Este dispositivo cumple con la Parte 15 de las Normas FCC. Su operación está sujeta a las dos condiciones siguientes: (1) Este dispositivo no debe causar interferencia dañina y (2) tiene que aceptar cualquier interferencia recibida, incluyendo aquella que pudiera afectar su funcionamiento.



¿Preguntas, problemas o piezas faltantes? Antes de regresar a la tienda,
llama al servicio al cliente de Hampton Bay
de lunes a viernes, entre 8:00 a.m. y 6:00 p.m., hora estándar del Este

1-855-HD-HAMPTON

HAMPTONBAY.COM

Conserva este manual para uso en el futuro.

rX0000000000-A