

FRIGIDAIRE GALLERY

FGET3069UF

Available Colors : Stainless Steel

Version : 01/20

Double Wall Oven

30" Double Electric Wall Oven with Air Fry



Product Specifications

Certifications & Approvals

ADA Compliant - All Brands	No
Agency Approval(All Brands)	UL/CSA
Sabbath Mode	Yes

Electrical Specifications

Amps @ 240 Volts	40A
Connected Load @ 240V	9.0 / 6.8
Connection Location	Left Rear Bottom
Voltage Rating	240V / 208V 60Hz

Accessories

Cooking:3"-High Bottom Trim	Yes
-----------------------------	-----

Dimensions: Exterior

Depth	24-3/4"
Depth(w/ 90° Door Open)	45-3/4"
Height	50-7/16"
Width	30"

General Specifications

Frigidaire Fit Promise	Yes
Prop 65 Label	Yes

Capacities

Oven 1 Capacity	5.1
Oven 2 Capacity	5.1

Installation Type

Under-CounterApproved	No
-----------------------	----

Oven

Bake	2200 Watts
Baking System	True Hidden Bake
Broil	6 pass 4000 Watts
Broiling System	Variable (400°F to 550°F)
Cleaning System	Self Clean w/Steam Clean Option
Convection	2500 Watts
Convection System	Single Fan
Interior Lighting	2 Halogen
Oven 1 Interior Color	Midnight Black
Oven 1 Interior Depth	19-1/2"
Oven 1 Interior Height	18-5/8"
Oven 1 Interior Width	24-1/8"
Rack Configuration	3 HD Handle Racks
Rack Positions	6 positions
Type	Upper
Window	XL Window

Oven 2

Bake	2200 Watts
Baking System	True Hidden Bake
Broil	6 pass 4000
Broiling System	Variable (400°F to 550°F)
Convection	2500 Watts
Convection System	Single Fan
Interior Light	2 Halogen
Oven 2 Interior Color	Midnight Black
Oven 2 Interior Depth	19-1/2"
Oven 2 Interior Height	18-5/8"
Oven 2 Interior Width	24-1/8"
Rack Configuration	2 HD Handle Racks 1 Glide Rack
Rack Positions	6 Positions
Type	Lower
Window (Size)	XL Window

Cooking Controls

Automatic Oven	Multiple Functions - Both Ovens
Bake	Both Ovens
Convection Conversion	Both Ovens
Keep Warm	Both Ovens
Lockout	Both Ovens
Oven Light	Both Ovens
Quick Preheat	Both Ovens
Self-Clean	2 - 4 Hours Both Ovens
Temperature Probe	Yes - Upper Oven Only
Timer Function	Both Ovens

FRIGIDAIRE GALLERY

FGET3069UF

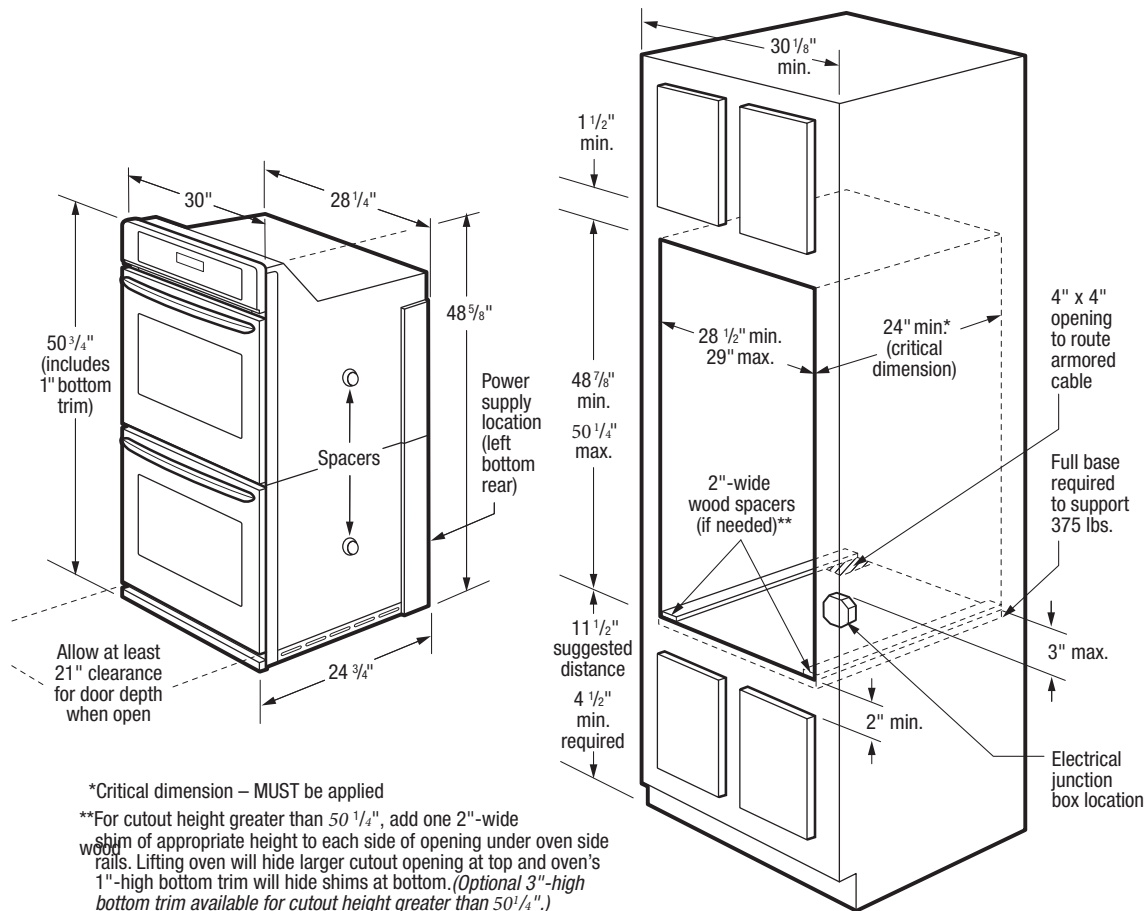
Available Colors : Stainless Steel

Version : 01/20

Double Wall Oven

30" Double Electric Wall Oven with Air Fry

Installation Drawing



Note: For planning purposes only. Always consult local and national electric, gas and plumbing codes. Refer to Product Installation Guide for detailed installation instructions on the web at [frigidaire.com / frigidaire.ca](http://frigidaire.com/frigidaire.ca). Specifications subject to change. Accessories information available on the web at frigidaire.com / frigidaire.ca

FRIGIDAIRE

USA • 10200 David Taylor Drive • Charlotte, NC 28262 • 1-800-FRIGIDAIRE • frigidaire.com
CANADA • 5855 Terry Fox Way • Mississauga, ON L5V 3E4 • 1-800-265-8352 • frigidaire.ca