



P629

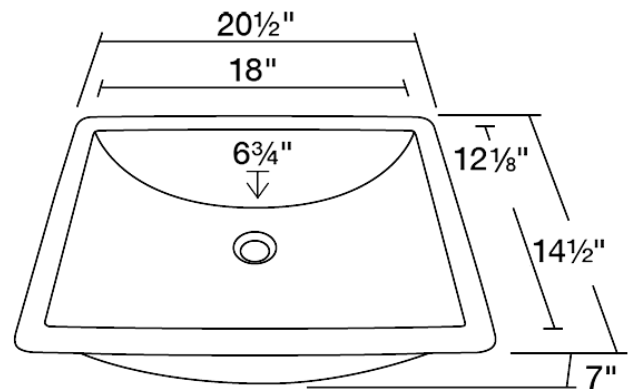
Single Bowl Copper Sink

The P629 rectangle single bowl undermount sink is made from 99% pure-mined copper. It is comprised using one piece construction, giving you a very strong and durable copper sink. Since copper is naturally anti-bacterial and stain resistant, it is great for busy households that benefit from low-maintenance materials. The hammered finish looks great and provides a mask for small scratches that may appear over time. The overall dimensions of the P629 are 20 1/2" x 14 1/2" x 7" with an offset drain and a required 21" minimum cabinet size. The hand-crafted copper details are sure to add warmth and richness to any decor.

Tech Specs

- Undermount Installation
- 21" Minimum Cabinet Size
- Hammered Finish
- Offset Drain
- One-Piece Construction
- Naturally Antibacterial
- Cardboard Cutout Template Included
- Installation Hardware Included
- Lifetime Warranty

Dimensions



Accessories Available

