

# Aquila

## LED Area Light

Project

Catalog

Type

Date

### Product Description

The Aquila LED Area Light delivers high efficiency with maximum energy savings and advanced controls to suit a variety of applications. Its robust, low-profile housing is comprised of die-cast aluminum and has a modern, single piece design that will blend into most environments. Quick to install, the Aquila is a versatile fixture available in four wattages and has easily interchangeable precision lenses in Type III or Type V distributions. Five mounting options and various pole selections are also available, as well as photocells and motion sensors. The Aquila is designed for use in parking lots, roadways, recreational or public venues, walkways, auto dealerships, campuses, and other commercial environments.

#### Construction

- Low-profile, single-piece housing is die-cast aluminum, providing low wind resistance
- Stainless steel hardware

#### Optical System

- High-impact, polycarbonate precision lenses in two distributions:
  - Type III distribution standard
  - Type V distribution optional
- Utilizes advanced LED technology with CCT of 3000K, 4000K, and 5000K
- CRI 80+
- See *BUG Rating on the Performance Data Table*

#### Electrical

- Thermally-protected, high-efficiency driver
- Operating temperature rating of -40° to 104°F (-40°C to 40°C)
- 10kA surge protection standard
- Input voltage of 120-277VAC
- Available in 60, 100, 150 and 200 watt
- Photocell and motion sensor options
- Driver delivers full-range dimming from 0 - 10VDC

#### Finish

- Fine-textured, UV-stabilized powder coat finish
- Bronze or white finishes available

#### Mounting and installation

- Easy installation:
  - Adjustable Arm
  - Adjustable Wall Arm
  - Straight Arm
  - Slipfitter
  - Trunnion
- For installations where power surge may be possible, NICOR recommends installing additional surge protection at the electrical distribution panel

#### Listings

- LM-79, LM-80 testing performed in accordance with IESNA standards
- UL/cUL1598 Listed for wet locations
- Meets FCC Part 15, Subpart B, Class A standards for conducted and radiated emissions
- TM-21 Reported L70(9k) life >54,000 hours
- TM-21 Projected L70(9k) life =154,000 hours

#### Warranty

- 5-year limited system warranty standard
- Warranty does not cover product failure due to an overvoltage event (power surge)

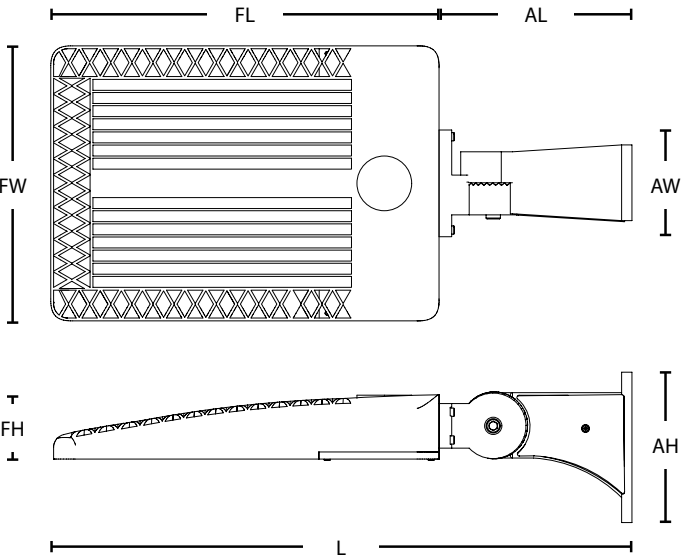


# Dimensions

## Adjustable Arm

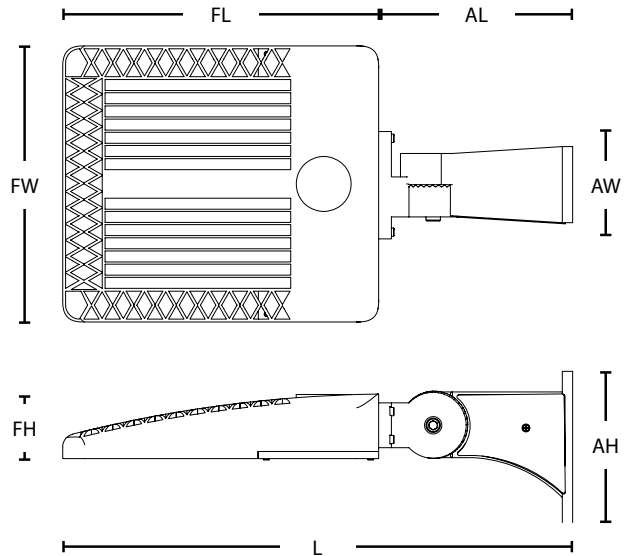
### 200W

<b>Fixture Length (FL)</b>	20.625 in (524 mm)	<b>Arm Length (AL)</b>	8.5 in (216 mm)
<b>Fixture Height (FH)</b>	3 in (76 mm)	<b>Arm Height (AH)</b>	7 in (178 mm)
<b>Fixture Width (FW)</b>	12.6 in (320 mm)	<b>Arm Width (AW)</b>	3.4 in (86 mm)
		<b>Overall Length (L)</b>	29.125 in (740 mm)



### 60W, 100W, 150W

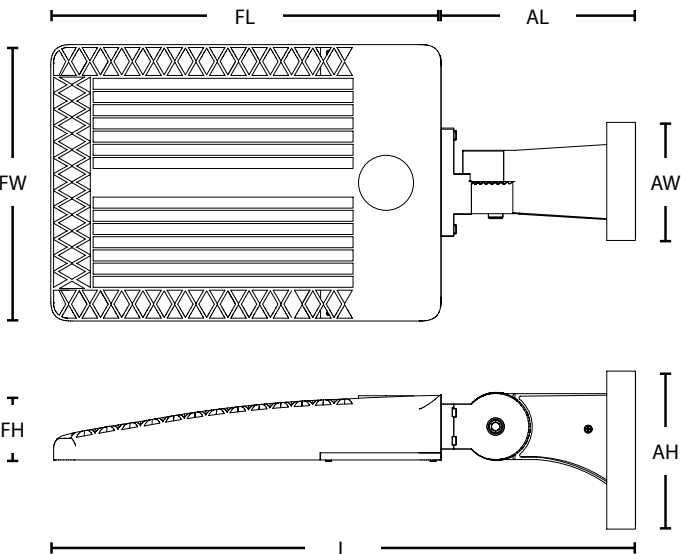
<b>Fixture Length (FL)</b>	14.375 in (365 mm)	<b>Arm Length (AL)</b>	8.5 in (216 mm)
<b>Fixture Height (FH)</b>	3 in (76 mm)	<b>Arm Height (AH)</b>	7 in (178 mm)
<b>Fixture Width (FW)</b>	12.6 in (320 mm)	<b>Arm Width (AW)</b>	3.4 in (86 mm)
		<b>Overall Length (L)</b>	22.857 in (581 mm)



## Adjustable Wall Arm

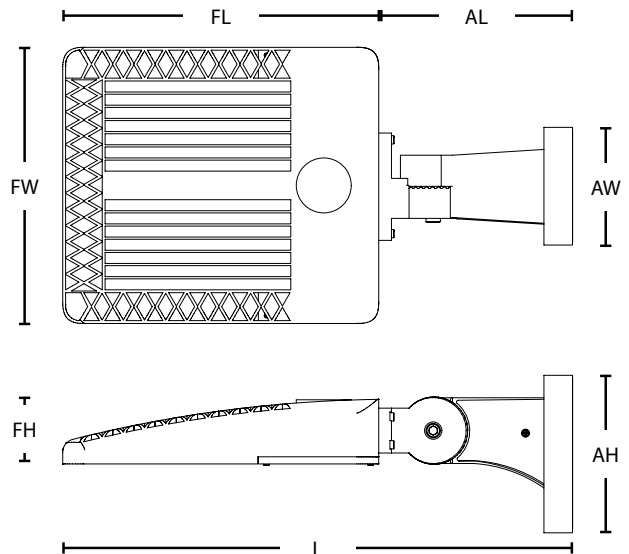
### 200W

<b>Fixture Length (FL)</b>	20.625 in (524 mm)	<b>Arm Length (AL)</b>	8.5 in (216 mm)
<b>Fixture Height (FH)</b>	3 in (76 mm)	<b>Arm Height (AH)</b>	7.125 in (181 mm)
<b>Fixture Width (FW)</b>	12.6 in (320 mm)	<b>Arm Width (AW)</b>	5.35 in (136 mm)
		<b>Overall Length (L)</b>	29.125 in (740 mm)



### 60W, 100W, 150W

<b>Fixture Length (FL)</b>	14.375 in (365 mm)	<b>Arm Length (AL)</b>	8.5 in (216 mm)
<b>Fixture Height (FH)</b>	3 in (76 mm)	<b>Arm Height (AH)</b>	7.125 in (181 mm)
<b>Fixture Width (FW)</b>	12.6 in (320 mm)	<b>Arm Width (AW)</b>	5.35 in (136 mm)
		<b>Overall Length (L)</b>	22.857 in (581 mm)

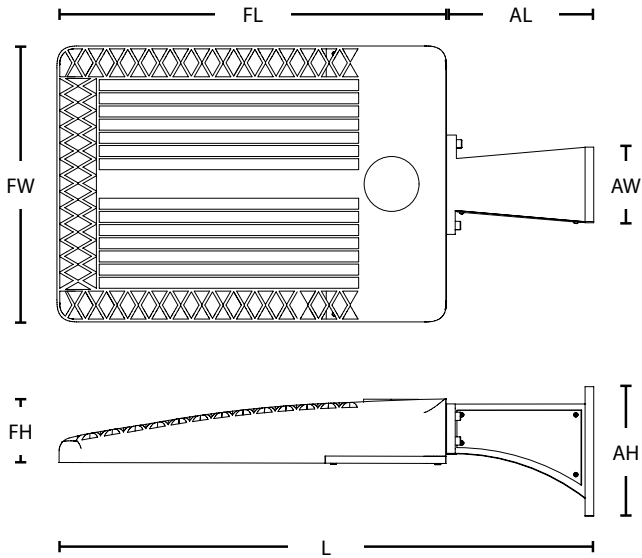


# Dimensions

## Straight Arm

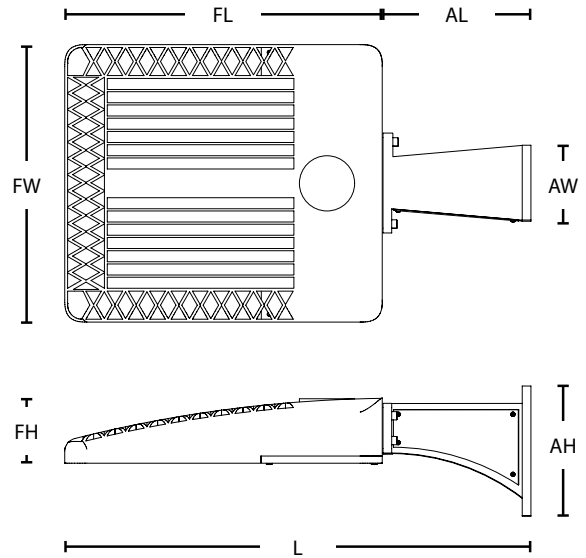
### 200W

<b>Fixture Length (FL)</b>	20.625 in (524 mm)	<b>Arm Length (AL)</b>	7.75 in (197 mm)
<b>Fixture Height (FH)</b>	3 in (76 mm)	<b>Arm Height (AH)</b>	3 in (76 mm)
<b>Fixture Width (FW)</b>	12.6 in (320 mm)	<b>Arm Width (AW)</b>	3.4 in (86 mm)
		<b>Overall Length (L)</b>	28.375 in (721 mm)



### 60W, 100W, 150W

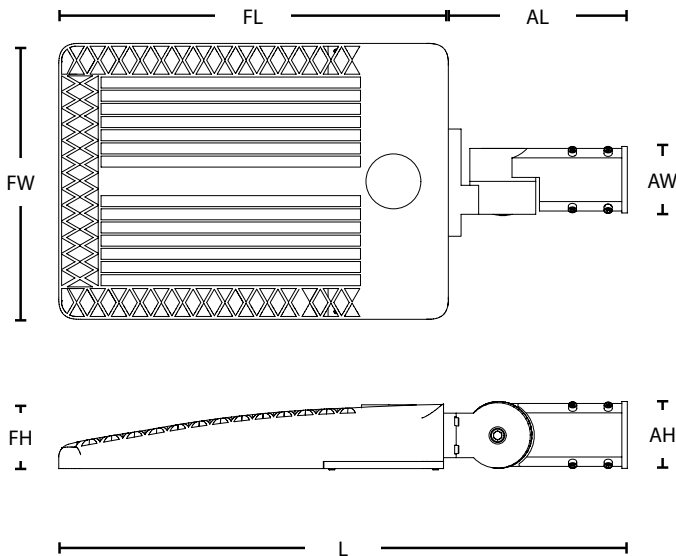
<b>Fixture Length (FL)</b>	14.375 in (365 mm)	<b>Arm Length (AL)</b>	7.75 in (197 mm)
<b>Fixture Height (FH)</b>	3 in (76 mm)	<b>Arm Height (AH)</b>	3 in (76 mm)
<b>Fixture Width (FW)</b>	12.6 in (320 mm)	<b>Arm Width (AW)</b>	3.4 in (86 mm)
		<b>Overall Length (L)</b>	21.125 in (216 mm)



## Slipfitter

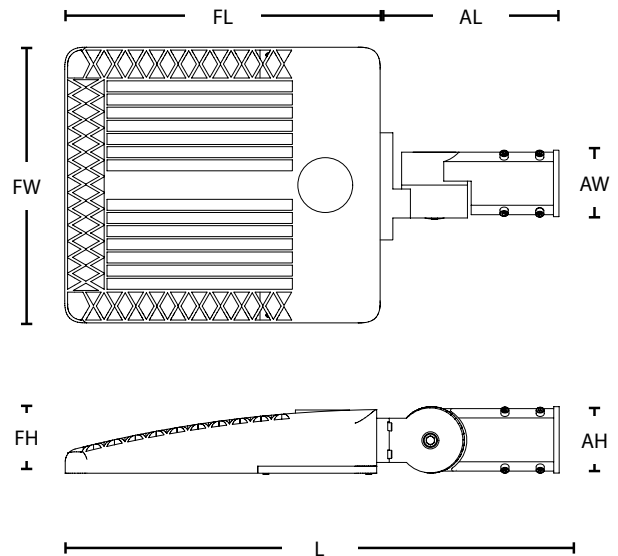
### 200W

<b>Fixture Length (FL)</b>	20.625 in (524 mm)	<b>Arm Length (AL)</b>	8.5 in (216 mm)
<b>Fixture Height (FH)</b>	3 in (76 mm)	<b>Arm Height (AH)</b>	5.875 in (149 mm)
<b>Fixture Width (FW)</b>	12.6 in (320 mm)	<b>Arm Width (AW)</b>	5.35 in (136 mm)
		<b>Overall Length (L)</b>	29.125 in (740 mm)



### 60W, 100W, 150W

<b>Fixture Length (FL)</b>	14.375 in (365 mm)	<b>Arm Length (AL)</b>	8.5 in (216 mm)
<b>Fixture Height (FH)</b>	3 in (76 mm)	<b>Arm Height (AH)</b>	5.875 in (149 mm)
<b>Fixture Width (FW)</b>	12.6 in (320 mm)	<b>Arm Width (AW)</b>	5.35 in (136 mm)
		<b>Overall Length (L)</b>	22.857 in (581 mm)

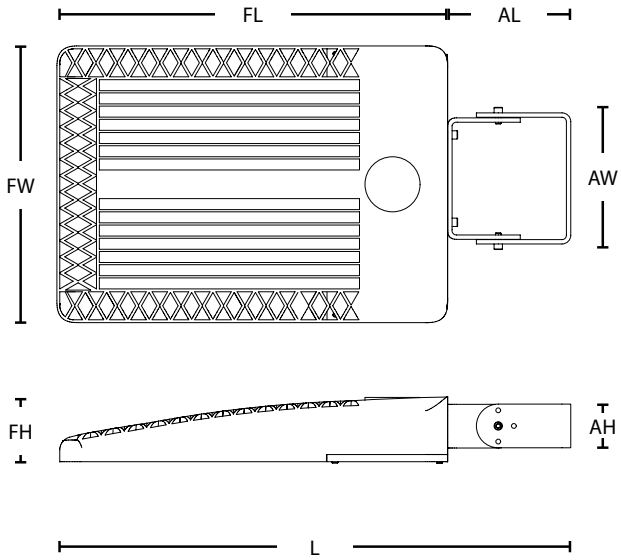


# Dimensions

## Trunnion

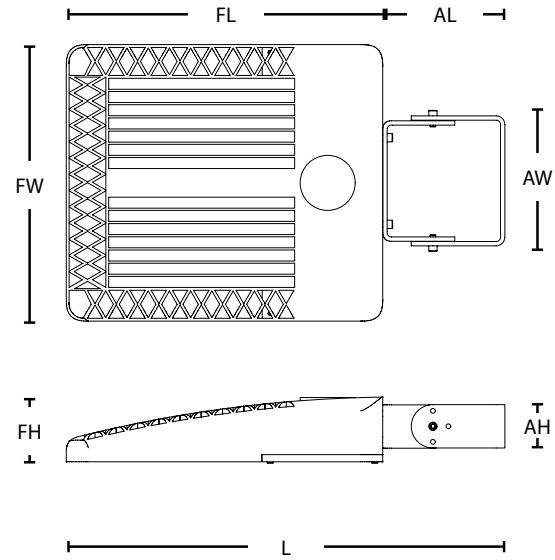
### 200W

<b>Fixture Length (FL)</b>	20.625 in (524 mm)	<b>Arm Length (AL)</b>	5.375 in (216 mm)
<b>Fixture Height (FH)</b>	3 in (76 mm)	<b>Arm Height (AH)</b>	2 in (51 mm)
<b>Fixture Width (FW)</b>	12.6 in (320 mm)	<b>Arm Width (AW)</b>	5.9 in (150 mm)
		<b>Overall Length (L)</b>	26 in (660 mm)



### 60W, 100W, 150W

<b>Fixture Length (FL)</b>	14.375 in (365 mm)	<b>Arm Length (AL)</b>	5.375 in (216 mm)
<b>Fixture Height (FH)</b>	3 in (76 mm)	<b>Arm Height (AH)</b>	2 in (51 mm)
<b>Fixture Width (FW)</b>	12.6 in (320 mm)	<b>Arm Width (AW)</b>	5.9 in (150 mm)
		<b>Overall Length (L)</b>	19.75 in (502 mm)



# Photometric Data

## OAL 60W Type III 5000K

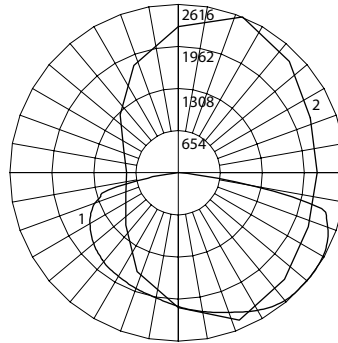
Input Voltage (VAC)	120-277
System Level Power (W)	58.8
120V Current (A)	0.49
277V Current (A)	0.22
Delivered Lumens (Lm)	8545
System Efficacy (Lm/W)	145.3
Correlated Color Temp (K)	5000
Color Rendering Index (CRI)	83
Horizontal Beam Angle	153.3°
Vertical Beam Angle	115.1°
Spacing Criteria	1.66

### Intensity Summary (Candle Power)

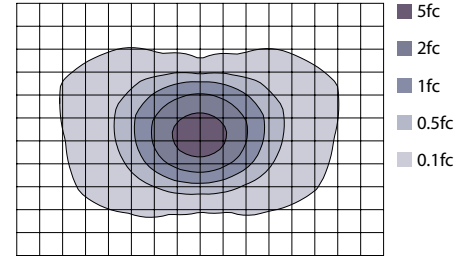
Angle	Mean CP
0	2076
5	2081
15	2095
25	2085
35	2048
45	1974
55	1833
65	1386
75	837
85	30
90	1

### CCT Data Multiplier

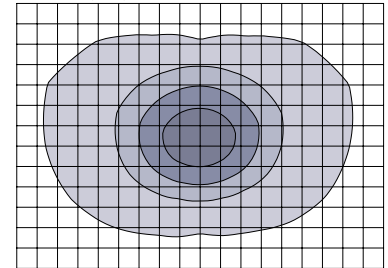
OAL1060MV30BZ3	0.953
OAL1060MV40BZ3	0.976



15' Mounting Height



25' Mounting Height



Each square represents 100 square feet.

### Zonal Lumen Summary

Zone	Lumens	% of Luminaire
0-30	1740	20.4%
0-40	3011	35.2%
0-60	6136	71.8%
0-90	8532	99.8%
90-180	16	0.2%
0-180	8545	100.0%

## OAL 60W Type V 5000K

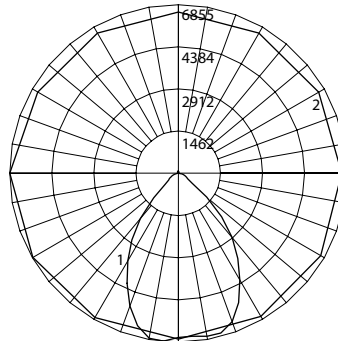
Input Voltage (VAC)	120-277
System Level Power (W)	58.8
120V Current (A)	0.49
277V Current (A)	0.22
Delivered Lumens (Lm)	8545
System Efficacy (Lm/W)	145.3
Correlated Color Temp (K)	4921
Color Rendering Index (CRI)	83
Beam Angle	72.6°
Spacing Criteria	1.08

### Intensity Summary (Candle Power)

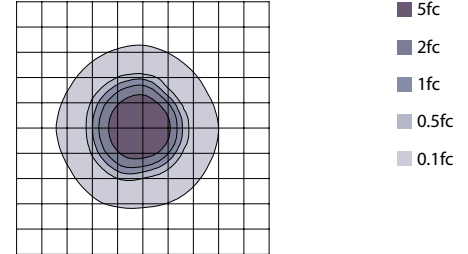
Angle	Mean CP
0	5695
5	5694
15	5492
25	4554
35	3160
45	1645
55	558
65	292
75	166
85	35
90	4

### CCT Data Multiplier

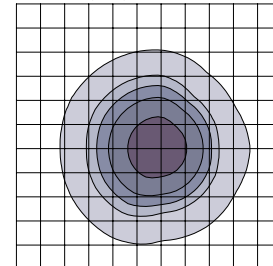
OAL1060MV30BZ5	0.953
OAL1060MV40BZ5	0.988



15' Mounting Height



25' Mounting Height



Each square represents 100 square feet

### Zonal Lumen Summary

Zone	Lumens	% of Luminaire
0-30	4139	48.4%
0-40	6081	71.2%
0-60	7882	92.2%
0-90	8385	98.1%
90-180	160	1.9%
0-180	8545	100.0%

Fixture tested per LM-79-08. Photometric data is of the performance of a representative fixture. Results may vary in the field.

# Photometric Data

## OAL 100W Type III 5000K

Input Voltage (VAC)	120-277
System Level Power (W)	101.9
120V Current (A)	0.85
277V Current (A)	0.37
Delivered Lumens (Lm)	13143
System Efficacy (Lm/W)	129.0
Correlated Color Temp (K)	4964
Color Rendering Index (CRI)	83
Horizontal Beam Angle	153.8°
Vertical Beam Angle	117.8°
Spacing Criteria	1.66

### Intensity Summary (Candle Power)

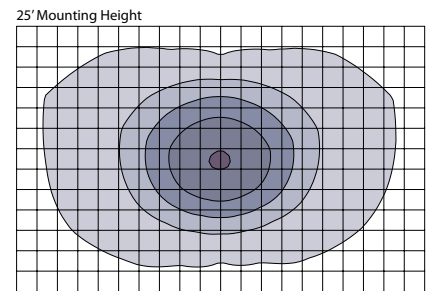
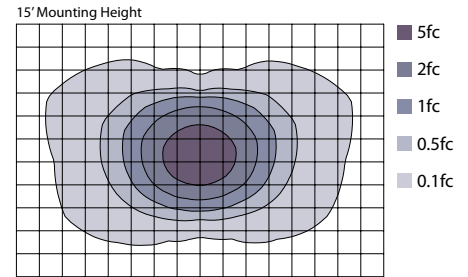
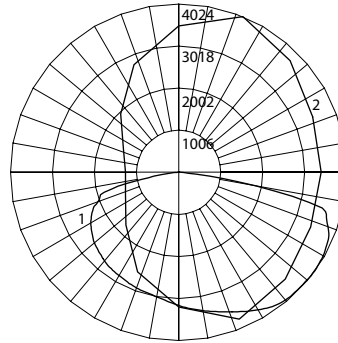
Angle	Mean CP
0	3182
5	3193
15	3219
25	3205
35	3149
45	3032
55	2817
65	2145
75	1274
85	49
90	2

### CCT Data Multiplier

OAL1100MV30BZ3	0.953
OAL1100MV40BZ3	0.977

### Zonal Lumen Summary

Zone	Lumens	% of Luminaire
0-30	2672	20.3%
0-40	4624	35.2%
0-60	9423	71.7%
0-90	13113	99.8%
90-180	30	0.2%
0-180	13143	100.0%



Each square represents 100 square feet

## OAL 100W Type V 5000K

Input Voltage (VAC)	120-277
System Level Power (W)	101.9
120V Current (A)	0.85
277V Current (A)	0.37
Delivered Lumens (Lm)	13143
System Efficacy (Lm/W)	129.0
Correlated Color Temp (K)	4964
Color Rendering Index (CRI)	84
Beam Angle	72.6°
Spacing Criteria	1.08

### Intensity Summary (Candle Power)

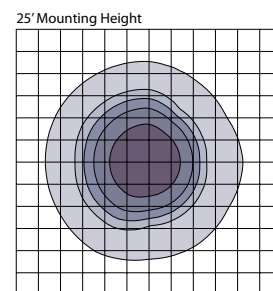
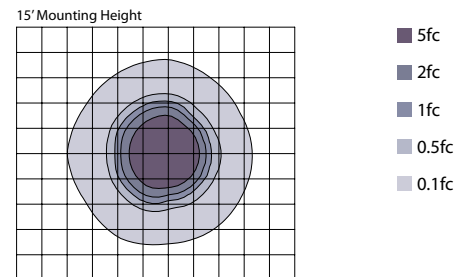
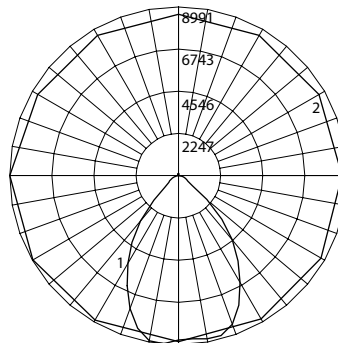
Angle	Mean CP
0	8760
5	8757
15	8448
25	7005
35	4860
45	2531
55	858
65	449
75	255
85	53
75	6

### CCT Data Multiplier

OAL1100MV30BZ5	0.953
OAL1100MV40BZ5	0.977

### Zonal Lumen Summary

Zone	Lumens	% of Luminaire
0-30	6366	48.4%
0-40	9354	71.2%
0-60	12123	92.2%
0-90	12897	98.1%
90-180	246	1.9%
0-180	13143	100.0%



Each square represents 100 square feet

Fixture tested per LM-79-08. Photometric data is of the performance of a representative fixture. Results may vary in the field.

# Photometric Data

## OAL 150W Type III 5000K

Input Voltage (VAC)	120-277
System Level Power (W)	144.4
120V Current (A)	1.24
277V Current (A)	0.54
Delivered Lumens (Lm)	17869
System Efficacy (Lm/W)	123.7
Correlated Color Temp (K)	5020
Color Rendering Index (CRI)	83
Horizontal Beam Angle	151.9°
Vertical Beam Angle	117.9°
Spacing Criteria	1.66

### Intensity Summary (Candle Power)

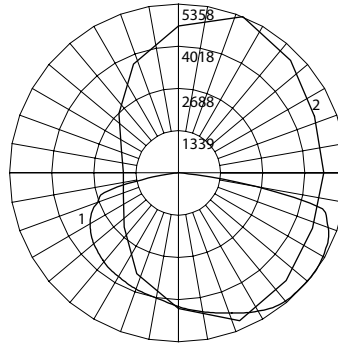
Angle	Mean CP
0	4240
5	4255
15	4290
25	4272
35	4197
45	4041
55	3754
65	2871
75	1701
85	66
90	3

### CCT Data Multiplier

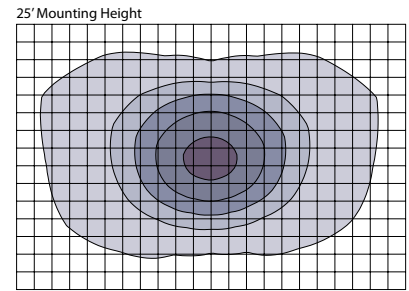
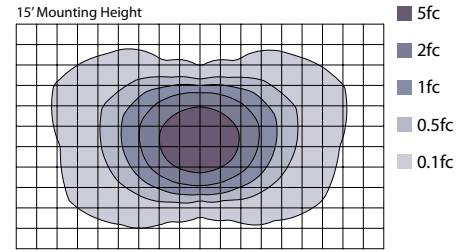
OAL1150MV30BZ3	0.961
OAL1150MV40BZ3	0.980

### Zonal Lumen Summary

Zone	Lumens	% of Luminaire
0-30	3561	20.3%
0-40	6163	35.2%
0-60	12560	71.6%
0-90	17489	99.8%
90-180	42	0.2%
0-180	17531	100.0%



1 - Vertical Plane Through Horizontal Angle  
2 - Horizontal Cone Through Vertical Angle



Each square represents 100 square feet

## OAL 150W Type V 5000K

Input Voltage (VAC)	120-277
System Level Power (W)	148.1
120V Current (A)	1.24
277V Current (A)	0.54
Delivered Lumens (Lm)	17869
System Efficacy (Lm/W)	120.3
Correlated Color Temp (K)	5020
Color Rendering Index (CRI)	85
Beam Angle	72.6°
Spacing Criteria	1.08

### Intensity Summary (Candle Power)

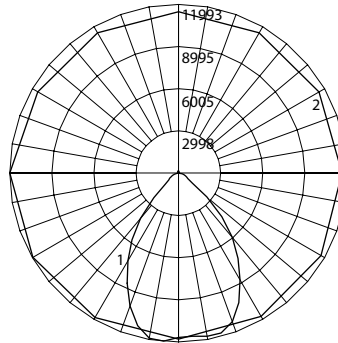
Angle	Mean CP
0	11685
5	11681
15	11268
25	9343
35	6482
45	3376
55	1145
65	599
75	340
85	71
90	9

### CCT Data Multiplier

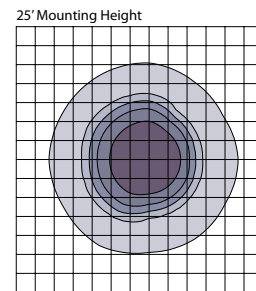
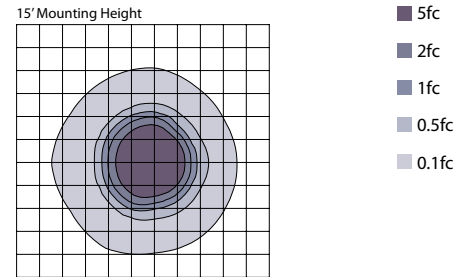
OAL1150MV30BZ5	0.961
OAL1150MV40BZ5	0.980

### Zonal Lumen Summary

Zone	Lumens	% of Luminaire
0-30	8492	48.4%
0-40	12477	71.2%
0-60	16171	92.2%
0-90	17203	98.1%
90-180	328	1.9%
0-180	17531	100.0%



1 - Vertical Plane Through Horizontal Angle  
2 - Horizontal Cone Through Vertical Angle



Each square represents 100 square feet

Fixture tested per LM-79-08. Photometric data is of the performance of a representative fixture. Results may vary in the field.

# Photometric Data

## OAL 200W Type III 5000K

Input Voltage (VAC)	120-277
System Level Power (W)	197.0
120V Current (A)	1.65
277V Current (A)	0.72
Delivered Lumens (Lm)	26480
System Efficacy (Lm/W)	134.4
Correlated Color Temp (K)	4972
Color Rendering Index (CRI)	83
Horizontal Beam Angle	148.7°
Vertical Beam Angle	106.0°
Spacing Criteria	1.68

### Intensity Summary (Candle Power)

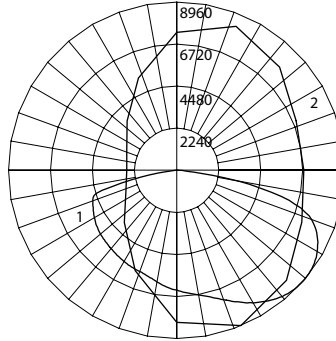
Angle	Mean CP
0	6374
5	6383
15	6405
25	6503
35	6505
45	6277
55	5650
65	4192
75	2437
85	113
90	10

### CCT Data Multiplier

OAL1200MV30BZ3	0.951
OAL1200MV40BZ3	0.976

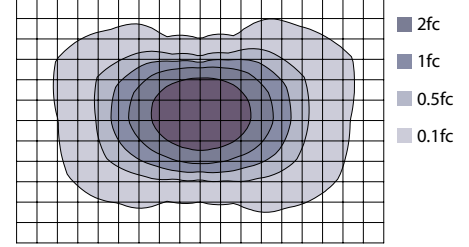
### Zonal Lumen Summary

Zone	Lumens	% of Luminaire
0-30	5370	20.3%
0-40	9395	35.5%
0-60	19245	72.7%
0-90	26450	99.9%
90-180	31	0.1%
0-180	26480	100.0%

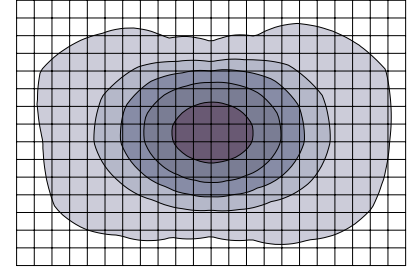


1 - Vertical Plane Through Horizontal Angle  
2 - Horizontal Cone Through Vertical Angle

15' Mounting Height



25' Mounting Height



Each square represents 100 square feet

## OAL 200W Type V 5000K

Input Voltage (VAC)	120-277
System Level Power (W)	195.5
120V Current (A)	1.65
277V Current (A)	0.72
Delivered Lumens (Lm)	25818
System Efficacy (Lm/W)	135.4
Correlated Color Temp (K)	4972
Color Rendering Index (CRI)	84
Beam Angle	72.6°
Spacing Criteria	1.08

### Intensity Summary (Candle Power)

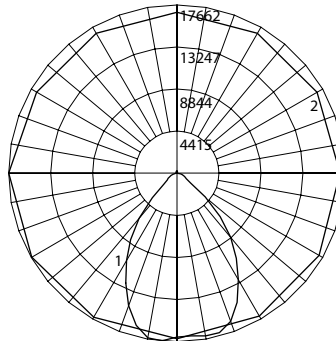
Angle	Mean CP
0	17208
5	17203
15	16595
25	13760
35	9547
45	4971
55	1686
65	882
75	500
85	105
90	13

### CCT Data Multiplier

OAL1200MV30BZ5	0.951
OAL1200MV40BZ5	0.976

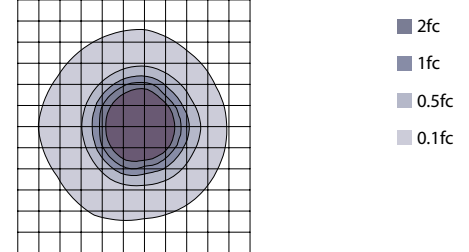
### Zonal Lumen Summary

Zone	Lumens	% of Luminaire
0-30	12506	48.4%
0-40	18375	71.2%
0-60	23815	92.2%
0-90	25336	98.1%
90-180	483	1.9%
0-180	25818	100.0%

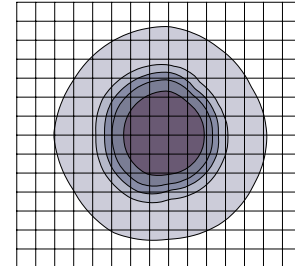


1 - Vertical Plane Through Horizontal Angle  
2 - Horizontal Cone Through Vertical Angle

15' Mounting Height



25' Mounting Height



Each square represents 100 square feet

Fixture tested per LM-79-08. Photometric data is of the performance of a representative fixture. Results may vary in the field.



Performance Data				
Model Number	Lumens	Watts	Lumens/Watt	BUG Rating at 0°
OAL1060MV30BZ3	8143	58.8	138.4	B2-U2-G2
OAL1060MV40BZ3	8344	58.8	141.9	B2-U2-G2
OAL1060MV50BZ3	8545	58.8	145.3	B2-U2-G2
OAL1060MV30BZ5	8143	58.8	138.4	B3-U3-G1
OAL1060MV40BZ5	8444	58.8	143.6	B3-U3-G1
OAL1060MV50BZ5	8545	58.8	145.3	B3-U3-G1
OAL1100MV30BZ3	12529	101.9	123.0	B3-U2-G3
OAL1100MV40BZ3	12836	101.9	126.0	B3-U2-G3
OAL1100MV50BZ3	13143	101.9	129.0	B3-U2-G3
OAL1100MV30BZ5	12529	101.9	123.0	B4-U3-G1
OAL1100MV40BZ5	12836	101.9	126.0	B4-U3-G1
OAL1100MV50BZ5	13143	101.9	129.0	B4-U3-G1

Performance Data				
Model Number	Lumens	Watts	Lumens/Watt	BUG Rating at 0°
OAL1150MV30BZ3	17379	147.7	117.6	B3-U2-G3
OAL1150MV40BZ3	17622	148.6	118.6	B3-U2-G3
OAL1150MV50BZ3	17869	144.4	123.7	B3-U2-G3
OAL1150MV30BZ5	17379	147.7	117.6	B4-U3-G1
OAL1150MV40BZ5	17622	148.6	118.6	B4-U3-G1
OAL1150MV50BZ5	17869	148.6	120.3	B4-U3-G1
OAL1200MV30BZ3	25187	197.0	127.9	B4-U2-G4
OAL1200MV40BZ3	25833	197.0	131.1	B4-U2-G4
OAL1200MV50BZ3	26480	197.0	134.4	B4-U2-G4
OAL1200MV30BZ5	25187	195.5	128.8	B4-U3-G2
OAL1200MV40BZ5	25833	195.5	132.1	B4-U3-G2
OAL1200MV50BZ5	25818	195.5	135.4	B4-U3-G2

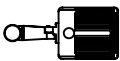
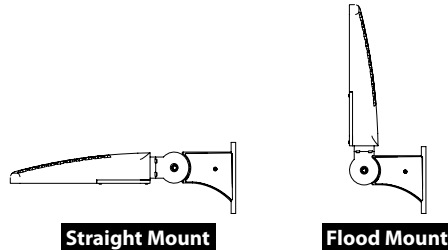
**Recommended 0-10VDC Dimmers\***

- Lutron NTSTV
- Lutron DVSTV
- Cooper SF10P
- Legrand RH4FBL3PW

\*Not a complete list. Check compatibility before installation.

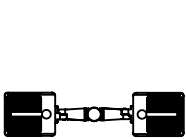
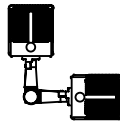
**EPA Data**

Weight (1 Luminaire)	
60W & 100W	14.33lbs (6.5kg)
150W	14.99lbs (6.8kg)
200W	22.26lbs (10.1kg)



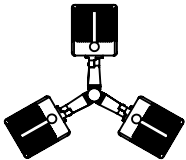
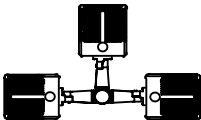
1 Luminaire		
Straight Mount		
60W, 100W, 150W	0.643ft <sup>2</sup>	0.0597m <sup>2</sup>
200W	0.799ft <sup>2</sup>	0.0742m <sup>2</sup>
Flood Mount (adjustable arms only)		
60W, 100W, 150W	1.721ft <sup>2</sup>	0.1598m <sup>2</sup>
200W	2.377ft <sup>2</sup>	0.2208m <sup>2</sup>

2 Luminaires 90°		
Straight Mount		
60W, 100W, 150W	1.169ft <sup>2</sup>	0.1086m <sup>2</sup>
200W	1.325ft <sup>2</sup>	0.1231m <sup>2</sup>
Flood Mount (adjustable arms only)		
60W, 100W, 150W	2.363ft <sup>2</sup>	0.2196m <sup>2</sup>
200W	3.176ft <sup>2</sup>	0.2951m <sup>2</sup>



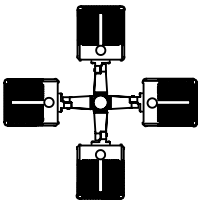
2 Luminaires 180°		
Straight Mount		
60W, 100W, 150W	1.286ft <sup>2</sup>	0.1195m <sup>2</sup>
200W	1.598ft <sup>2</sup>	0.1485m <sup>2</sup>
Flood Mount (adjustable arms only)		
60W, 100W, 150W	1.721ft <sup>2</sup>	0.1598m <sup>2</sup>
200W	2.377ft <sup>2</sup>	0.2208m <sup>2</sup>

3 Luminaires 90°		
Straight Mount		
60W, 100W, 150W	1.812ft <sup>2</sup>	0.1683m <sup>2</sup>
200W	2.124ft <sup>2</sup>	0.1974m <sup>2</sup>
Flood Mount (adjustable arms only)		
60W, 100W, 150W	3.006ft <sup>2</sup>	0.2793m <sup>2</sup>
200W	3.975ft <sup>2</sup>	0.3693m <sup>2</sup>



3 Luminaires 120°		
Straight Mount		
60W, 100W, 150W	1.407ft <sup>2</sup>	0.1307m <sup>2</sup>
200W	1.674ft <sup>2</sup>	0.1555m <sup>2</sup>
Flood Mount (adjustable arms only)		
60W, 100W, 150W	3.006ft <sup>2</sup>	0.2793m <sup>2</sup>
200W	3.750ft <sup>2</sup>	0.3484m <sup>2</sup>

4 Luminaires 90°		
Straight Mount		
60W, 100W, 150W	1.812ft <sup>2</sup>	0.1683m <sup>2</sup>
200W	2.124ft <sup>2</sup>	0.1974m <sup>2</sup>
Flood Mount (adjustable arms only)		
60W, 100W, 150W	3.006ft <sup>2</sup>	0.2793m <sup>2</sup>
200W	3.975ft <sup>2</sup>	0.3693m <sup>2</sup>



## Ordering Information

Example: OAL1100MV40BK3JM

Series	Version	Wattage	Voltage	CCTs	Finish	Optic	Mounting	Sensor
<b>OAL</b>	<b>1</b> (Version 1)	<b>060</b> (60 W)	<b>MV</b> (120-277)	<b>30</b> (3000 K)	<b>BZ</b> (Bronze)	<b>3</b> (Type III Dist)	<b>J</b> (Adj. Arm)	<b>Blank</b> (None)
		<b>100</b> (100 W)		<b>40</b> (4000 K)	<b>WH</b> (White)	<b>5</b> (Type V Dist)	<b>A</b> (Straight Arm)	<b>P</b> (Photocell)
		<b>150</b> (150 W)		<b>50</b> (5000 K)			<b>S</b> (Slipfitter)	<b>R</b> (Receptacle & Shunt)
		<b>200</b> (200 W)					<b>T</b> (Trunnion)	<b>M</b> (Motion Sensor)
							<b>W</b> (Adj. Wall Arm)	<b>D</b> (PC & MS)
								<b>E</b> (MS, Receptacle & Shunt)

Specifications and dimensions subject to change without notice.

## Accessories

Accessories sold separately

Bronze Round Pole Adapter Adjustable Arm	OAL-POLEJ-ADAPT-BZ
White Round Pole Adapter Adjustable Arm	OAL-POLEJ-ADAPT-WH
Bronze Round Pole Adapter Straight Arm	OAL-POLEA-ADAPT-BZ
White Round Pole Adapter Straight Arm	OAL-POLEA-ADAPT-WH
Bronze Adjustable Pole Mounting Arm	OAL-J-POLE-ARM-BZ
White Adjustable Pole Mounting Arm	OAL-J-POLE-ARM-WH
Bronze Adjustable Wall Mounting Arm	OAL-J-WALL-ARM-BZ
White Adjustable Wall Mounting Arm	OAL-J-WALL-ARM-WH
Bronze 2" Diameter Slipfitter Adapter	OAL-SLIPFIT-ARM-BZ
White 2" Diameter Slipfitter Adapter	OAL-SLIPFIT-ARM-WH
Bronze 6" Straight Mounting Arm	OAL-STRAIGHT-ARM-BZ
White 6" Straight Mounting Arm	OAL-STRAIGHT-ARM-WH
Bronze 4" Trunnion Mounting Arm	OAL-TRUNION-ARM-BZ
White 4" Trunnion Mounting Arm	OAL-TRUNION-ARM-WH

This device complies with part 15 of the FCC Rules. Operation is subject to the following two conditions: (1) This device may not cause harmful interference, and (2) this device must accept any interference received, including interference that may cause undesired operation.

NOTE: This equipment has been tested and found to comply with the limits for a Class A digital device, pursuant to part 15 of the FCC Rules. These limits are designed to provide reasonable protection against harmful interference when the equipment is operated in a commercial environment. This equipment generates, uses, and can radiate radio frequency energy and, if not installed and used in accordance with the instruction manual, may cause harmful interference to radio communications. Operation of this equipment in a residential area is likely to cause harmful interference in which case the user will be required to correct the interference at his own expense.