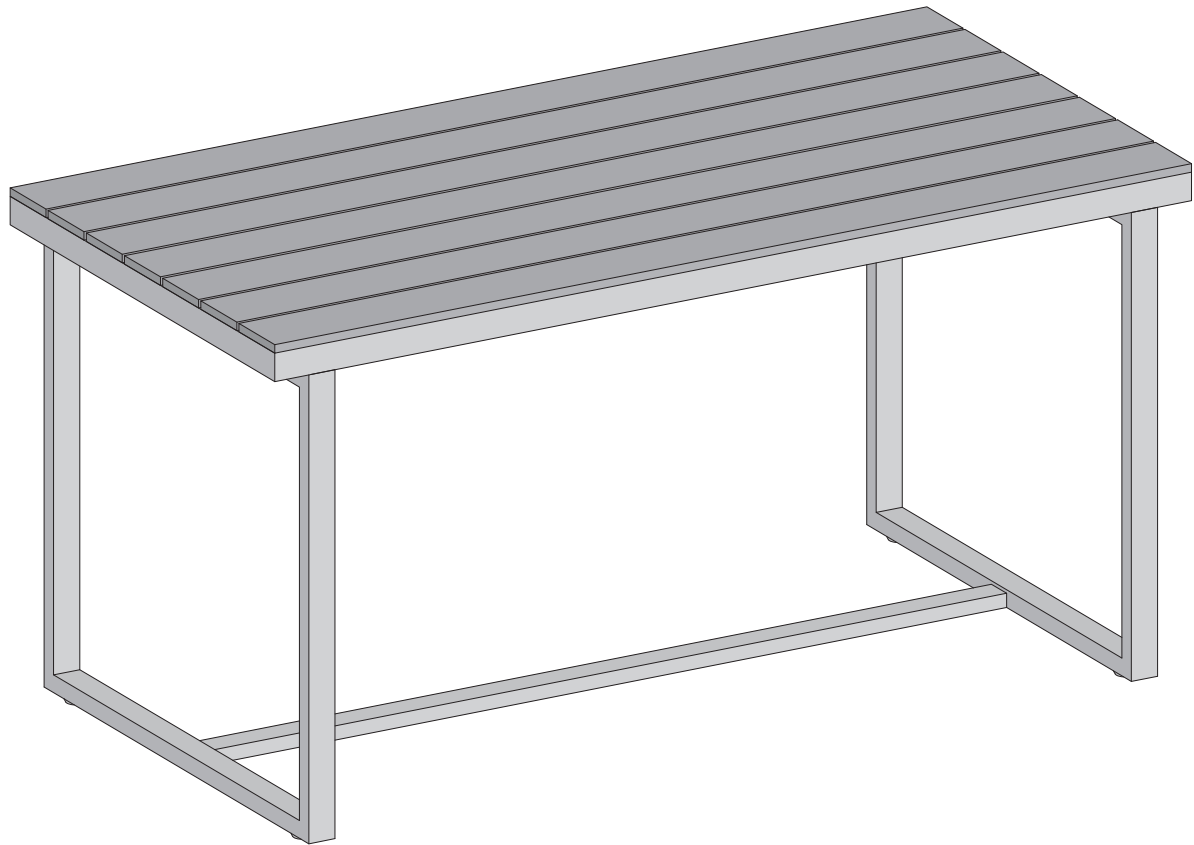


WE Walker[®]
Edison
furniture company

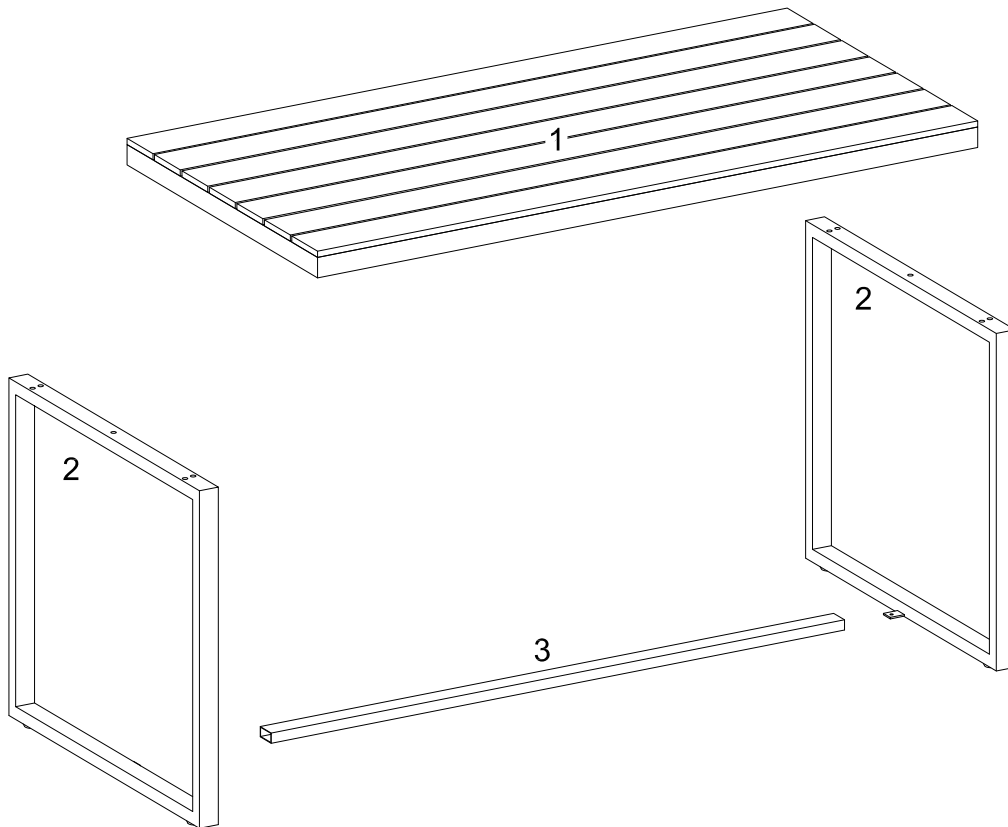
Item # : OAW4DTS
Assembly Instructions











*To request missing, lost or broken parts, or for any other customer service issues,
please visit our website at www.walkeredison.com or call us at 877-207-5906.*

Revised 04/2016

Parts List

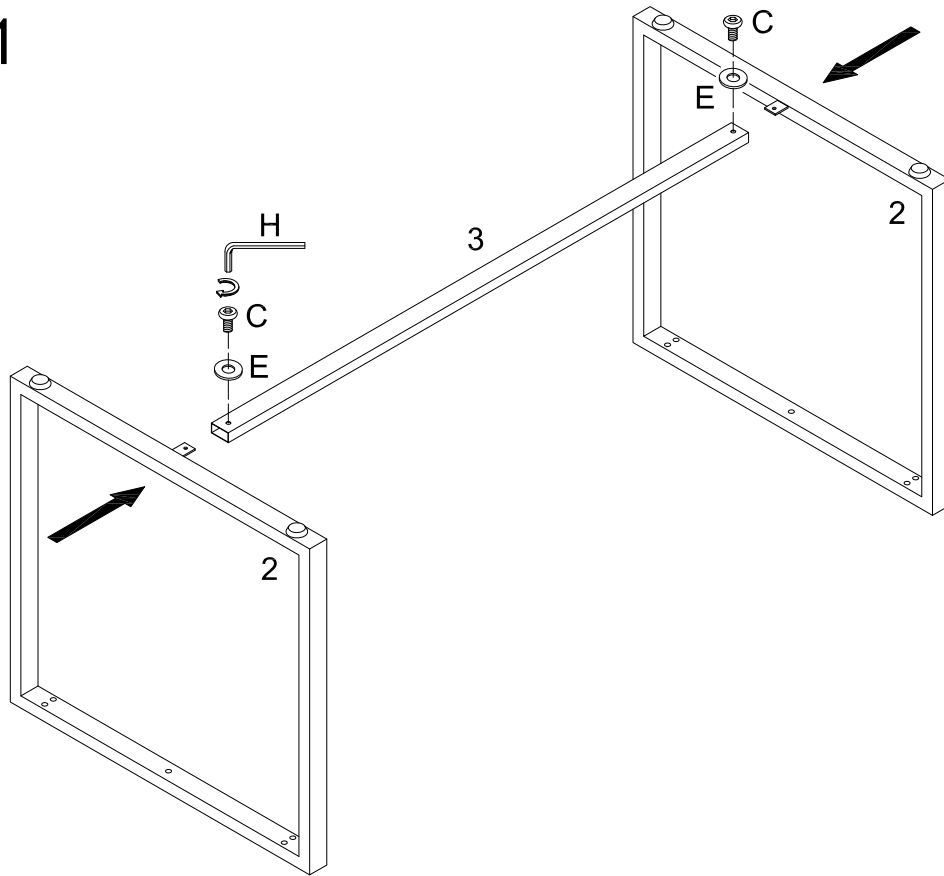


Hardware List

A		M6*42	Bolt	8 pcs
B		M6*35	Bolt	2 pcs
C		M6*15	Bolt	2 pcs
D			Spring washer	10 pcs
E			Washer	12 pcs
F			Aluminum plate	4 pcs
G			Plastic cap	12 pcs
H		M4	Wrench	1 pc

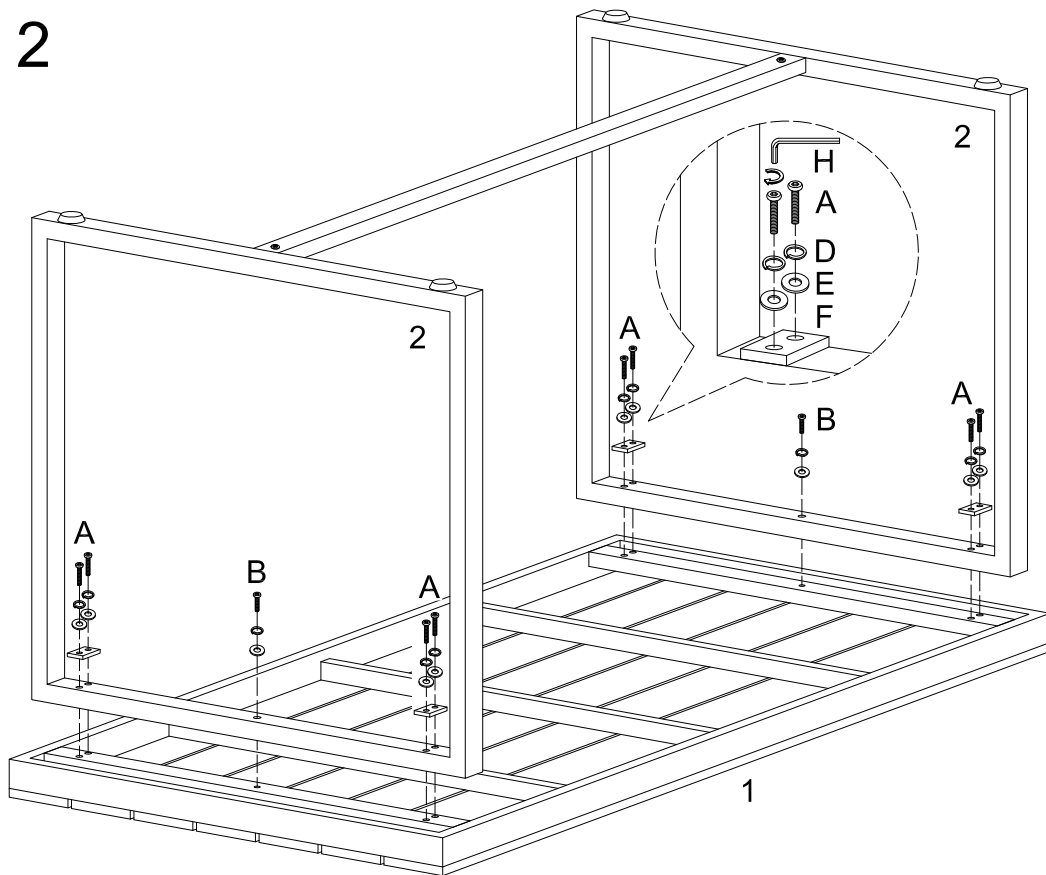
*The hardware quantities listed above are required for proper assembly.
Some extra hardware may also have been included.*

Step 1



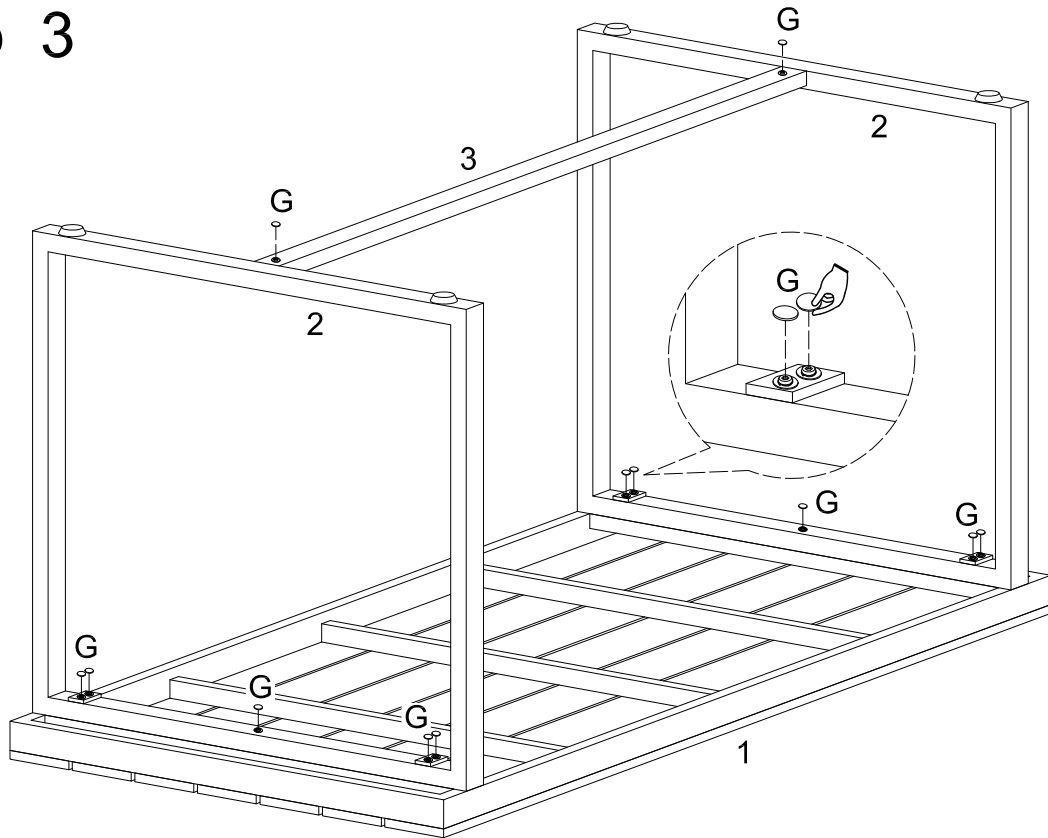
Use washer (E), bolt (C) and wrench (H) to assemble the support bar (3) to the legs (2).

Step 2



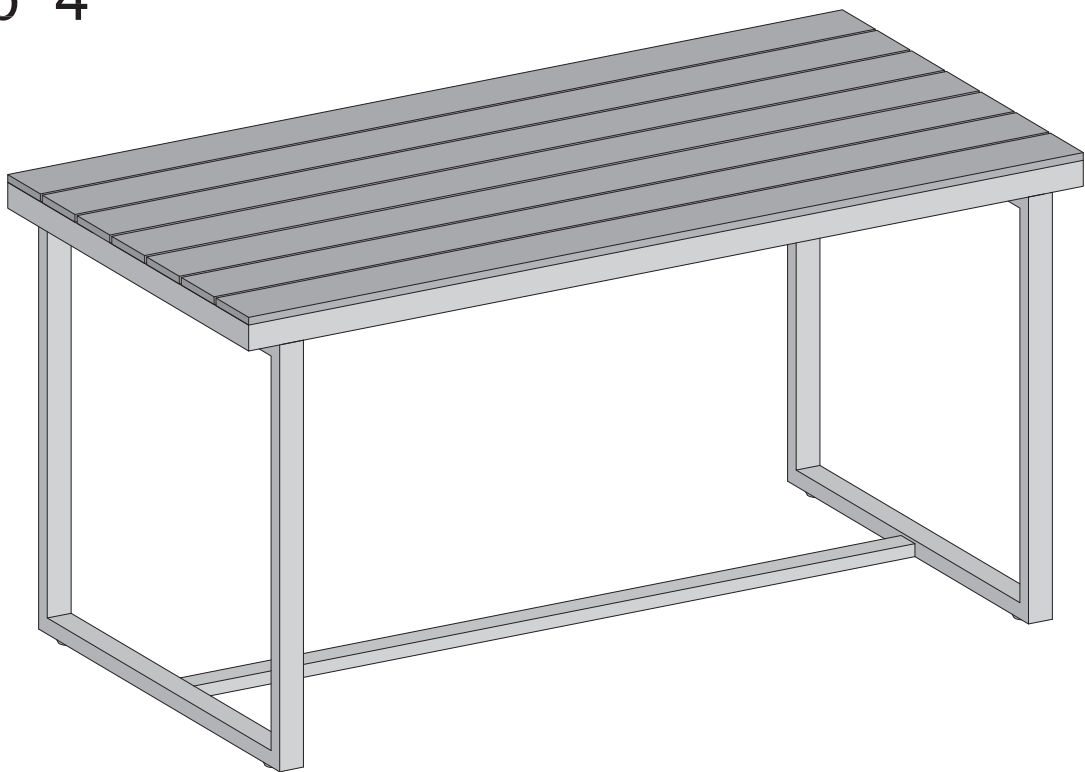
Use aluminum plate (F), washer (E), spring washer (D), bolt (A) and wrench (H) to assemble the legs to the table panel as shown as diagram.

Step 3



Use plastic cap (G) to cover all the bolts.

Step 4



Final Assembly