

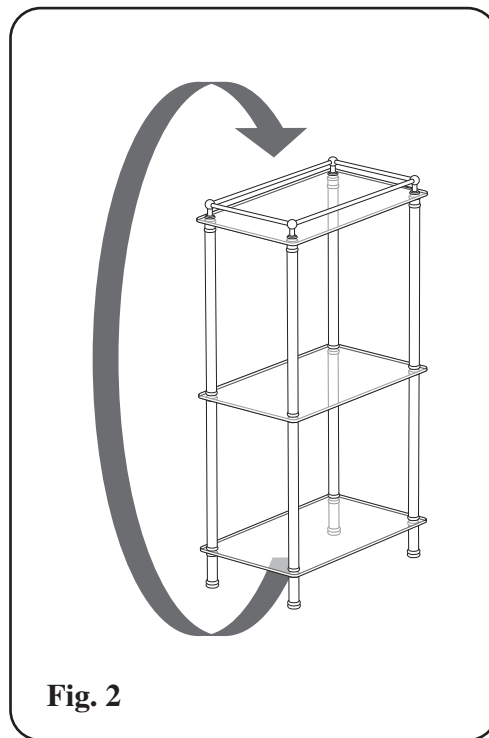
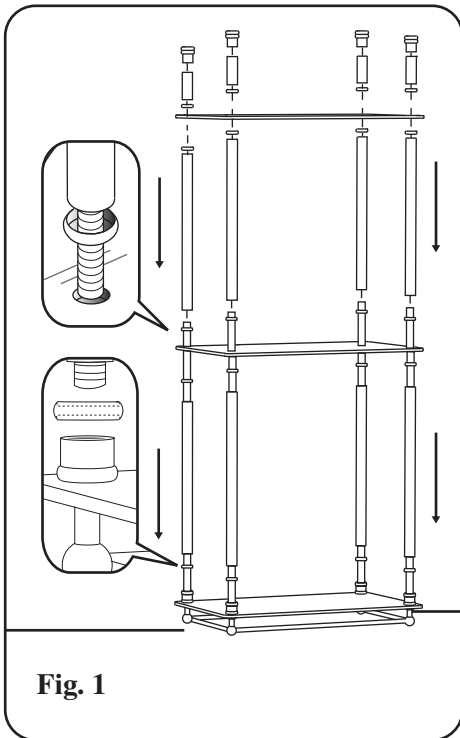


# GENERAL INSTALLATION INSTRUCTIONS

## RECTANGLE GLASS TABORET

### INSTALLATION INSTRUCTIONS

1. Turn over the top tier glass with railing facing down on soft surface.
2. Assemble as shown in Fig. 1.  
Make sure that posts set into the hollow side of the rings.
3. Turn the taboret right side up.



### CARE AND MAINTENANCE

To maintain the beautiful luster finish, please use soft damp cloths when cleaning and never use any cleaning solvents.