

ALOHA PORCELAIN ENAMEL 60" X 30" X 14 1/4" BATHTUB STANDARD BACK DESIGN



011-2364 RH DRAIN, SLIP RESISTANT
011-2365 LH DRAIN, SLIP RESISTANT

DESCRIPTION:

The Aloha is a 60" x 30" x 14 1/4" bathtub – the industries #1 selling porcelain enamel bathtub is full length bath offering exceptional performance and roominess for a recess application. The Aloha has a traditional design with a standard “straight” back support. Construction is a one piece heavy gauge seamless steel with an acid resistant porcelain enamel finish. The Aloha weighs 67 lbs., easy to install into a bathtub alcove - “just set it and level it”. Free standing on a full length support pad that offers added strength and sound deadening. This product is compatible or complies with ASME A112.19.1/ CSA B45.2 (Standard for Enameled Steel Plumbing Fixtures), ADA (American Disabilities Act), ASTM F 462 (Safety Specification for Slip Resistant Bathing Facilities), WW-P 541 (U.S. Military Federal Specification), HUD-FHA-VA, LEED, and the Buy American Act, as applicable when installed accordingly. Available in white, bone and biscuit colors with a right and left drain. Made in the USA.

Weight: 67 lbs

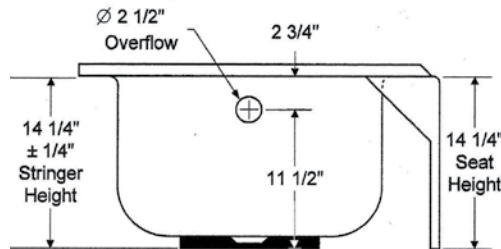
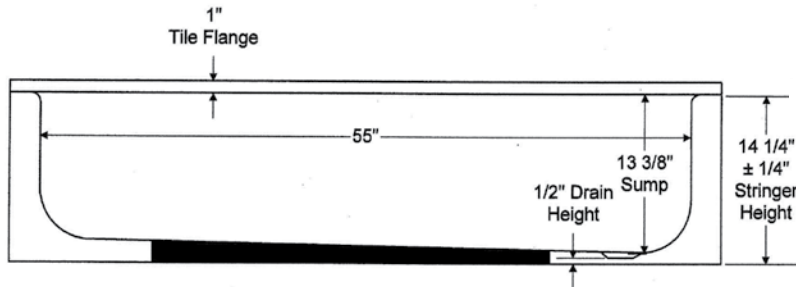
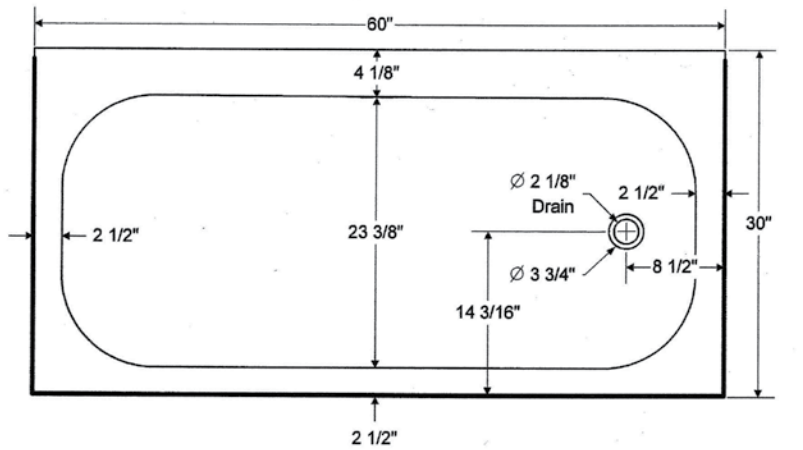


1400 Park Street • P.O. Box 18010 • Evansville, IN 47719-1010 • (812) 423-5401 • Fax (812) 429-2254 • www.bootz.com • webmaster@bootz.com

ALOHA PORCELAIN ENAMEL 60" X 30" X 14 1/4" BATH TUB STANDARD BACK DESIGN

ALOHA 5' Bathtub 60" x 30" x 14 1/4" Standard Outlet

011-2364 RH Drain, slip resistant
011-2365 LH Drain, slip resistant



Complies with:
All fixtures are compatible or comply with ANSI, ASME, CSA, WW-P 541, HUD-FHA-VA, LEED and the "Buy America Act" where applicable when installed accordingly.

Standard Features:
"The affordable alternative to cast iron"
Full length sound deadening pad
Slip resistant bottom
Set it and level it

Made in the USA

All Dimensions +/- 1/8" unless otherwise noted.
Dimensions shown are for reference.
Actual dimensions may vary slightly and should be checked prior to installation
SS 5/14



NEXTILE 4-PIECE TUB WALL SET 60" X 30" X 60"



Z041-5000 4-PIECE TUB WALL SET

DESCRIPTION:

NEXTILE 4-piece bathtub wall set compliments all Bootz 60" x 30" bathtubs, alleviating the need for expensive and time-consuming tile work. The realistic subway tile pattern and grout texture, combined with full-length wall-to-wall storage niche provides a real tile look and feel, with plenty of storage space for bathing essentials. For a custom look, the niche can be tiled with real tile for endless color, pattern, and texture possibilities. The wall system is designed for quick 1-person direct-to-stud installation, which is DIY-friendly and saves time for professional installers. The glossy composite finish and realistic grout are engineered for ease of cleaning and maintenance.

NEXTILE weighs 90 lbs., for easy transport, handling and installation.

The NEXTILE complies with ANSI Z124.1.2 American National Standard for Plastic Bathtub and Shower Units.

Made in the USA.



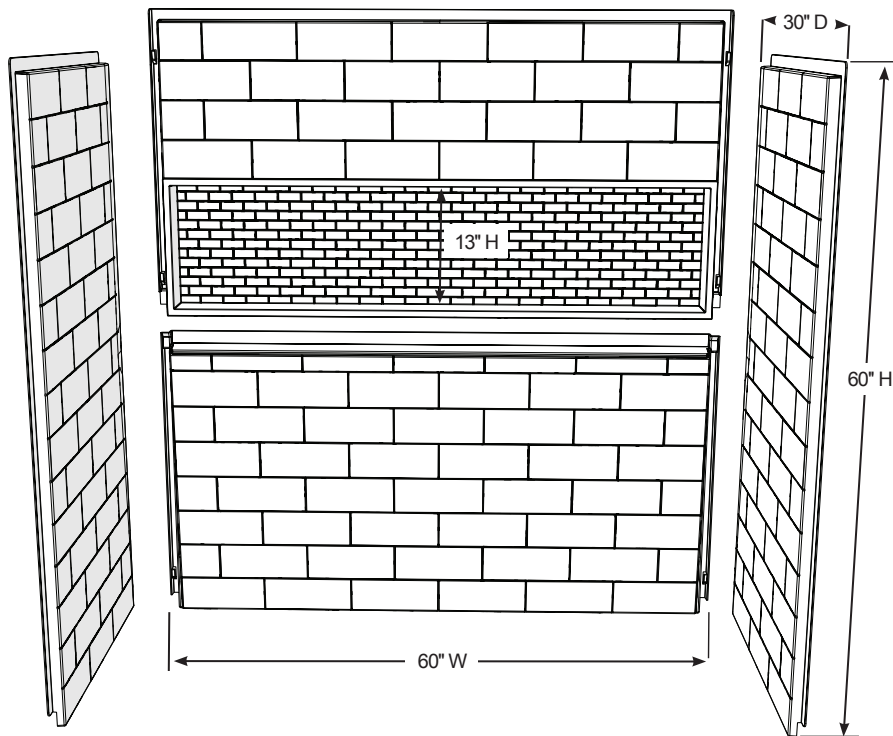
NEXTILE 4-PIECE TUB WALL SET 60" X 30" X 60"

NEXTILE 4-PIECE TUB WALL SET

60" x 30" x 60"

Weight: 90 lbs

Z041-5000 White



Complies with:
Fixture is compatible
or complies with ANSI, WW-P 541,
HUD-FHA-VA, LEED and the
"Buy America Act" where applicable
when installed accordingly.

Standard Features:
Bootz 60" x 30" tub compatible
Realistic tile pattern & grout texture
Full-length customizable niche
Quick direct-to-stud installation

Made in the USA



All Dimensions +/- 1/8" unless otherwise noted.
Dimensions shown are for reference.
Actual dimensions may vary slightly and
should be checked prior to installation
Rev. 12.04.18