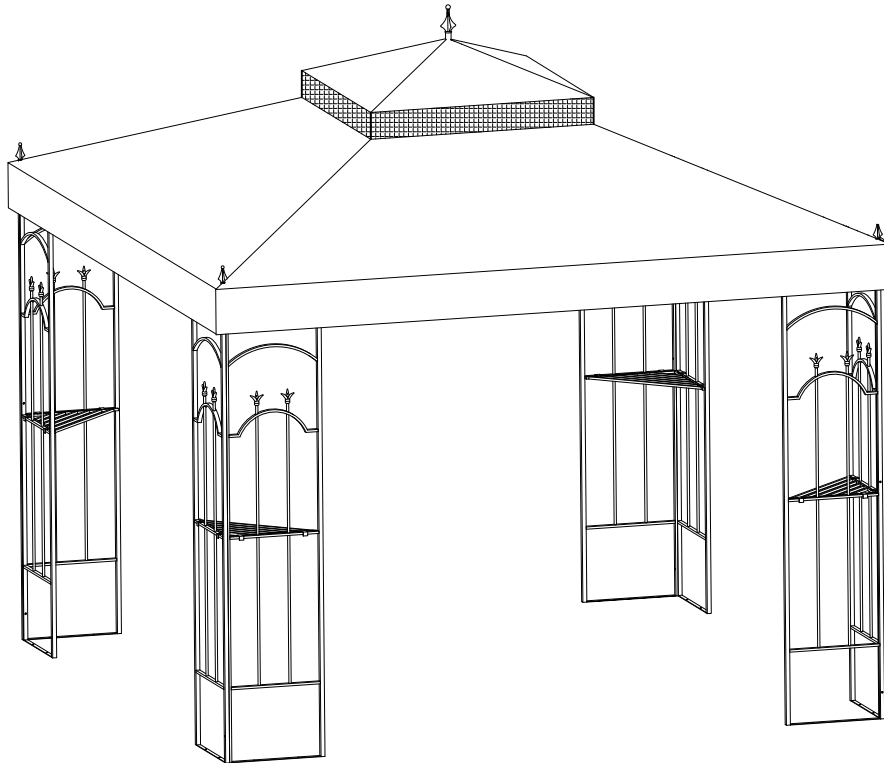




Item # 1000 389 161
Model # 61821-CPY

USE AND CARE GUIDE

REPLACEMENT CANOPY 10 FT X 10FT ARROW GAZEBO



Questions, problems, missing parts? Before returning to the store,
call Hampton Bay Customer Service.
8 a.m. - 7 p.m., EST, Monday - Friday, 9 a.m. - 6 p.m., EST, Saturday

1-855-HD-HAMPTON

HAMPTONBAY.COM

THANK YOU


We appreciate the trust and confidence you have placed in Hampton Bay through the purchase of this gazebo canopy. We strive to continually create quality products designed to enhance your home. Visit us online to see our full line of products available for your home improvement needs. Thank you for choosing Hampton Bay!


Table of Contents


Table of Contents.....	2	Package Contents.....	3
Safety Information	2	Assembly.....	4
Safety Warnings	2	Care and Cleaning.....	9
Warranty	2		
What is Covered	2		
What is Not Covered	2		
Pre-Assembly	2		
Planning Assembly	2		

Safety Information

SAFETY WARNINGS

 **WARNING:** Keep all flame and heat sources away from this gazebo fabric.

 **WARNING:** This application of any foreign substance to the gazebo fabric may render the flame resistant properties ineffective.

 **WARNING:** This gazebo is made with fabric that meets CPAI - 84 specifications for flame resistance. It is not fire proof. The fabric will burn if left in continuous contact with any flame source.

Warranty

1 YEAR FABRIC WARRANTY

WHAT IS COVERED

We warrant the fabric to be free of manufacturing defects to the original purchaser for one year.

WHAT IS NOT COVERED

It remains the customer's responsibility for freight and packaging charges to and from our service center. This warranty does not cover commercial use, hardware, acts of nature, fire, freezing and abusive use. In addition, purchased parts are not covered under this warranty. We reserve the right to make substitutions with similar merchandise, if the model in question is no longer in production.


Contact the Customer Service Team at 1-855-HD-HAMPTON or visit www.HamptonBay.com

Pre-Assembly

PLANNING ASSEMBLY

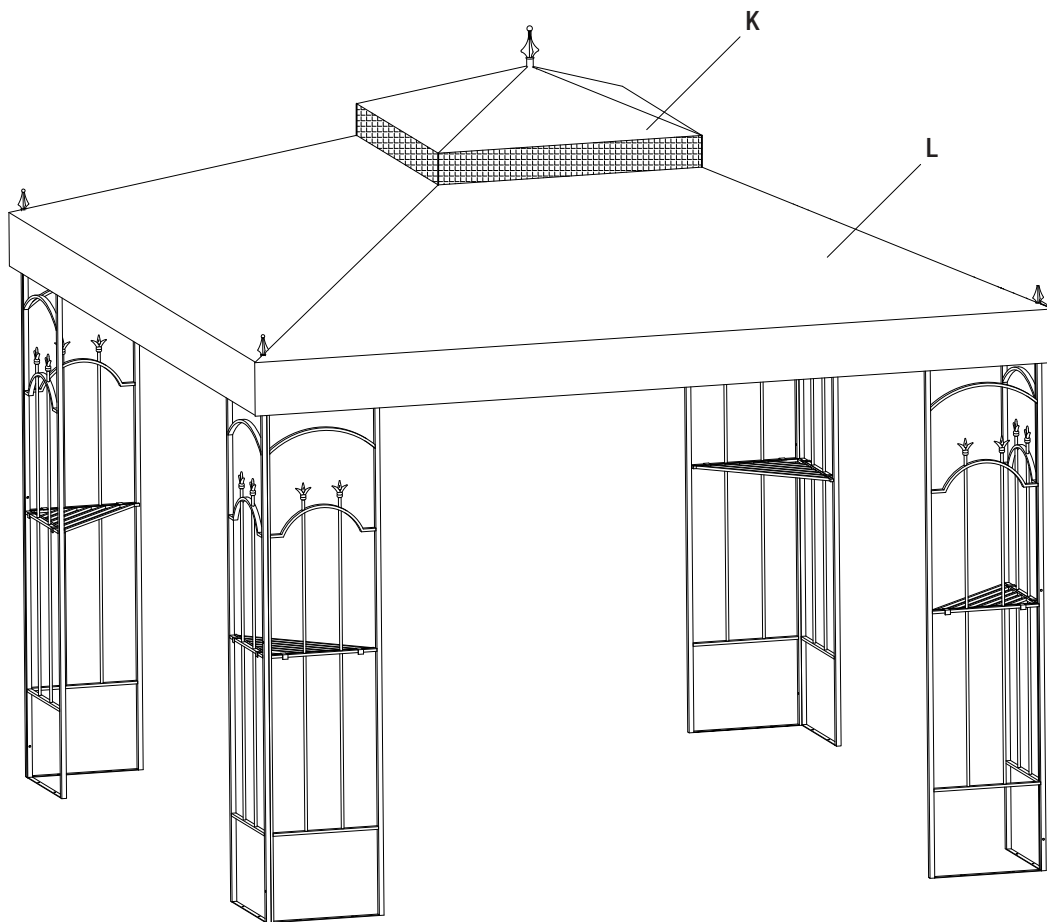
Read all instructions before assembly.

To avoid damaging this product, assemble it on a soft, non-abrasive surface such as carpet or cardboard.

 **NOTE:** More than one person may be required to complete the assembly of this product.

Pre-Assembly

PACKAGE CONTENTS

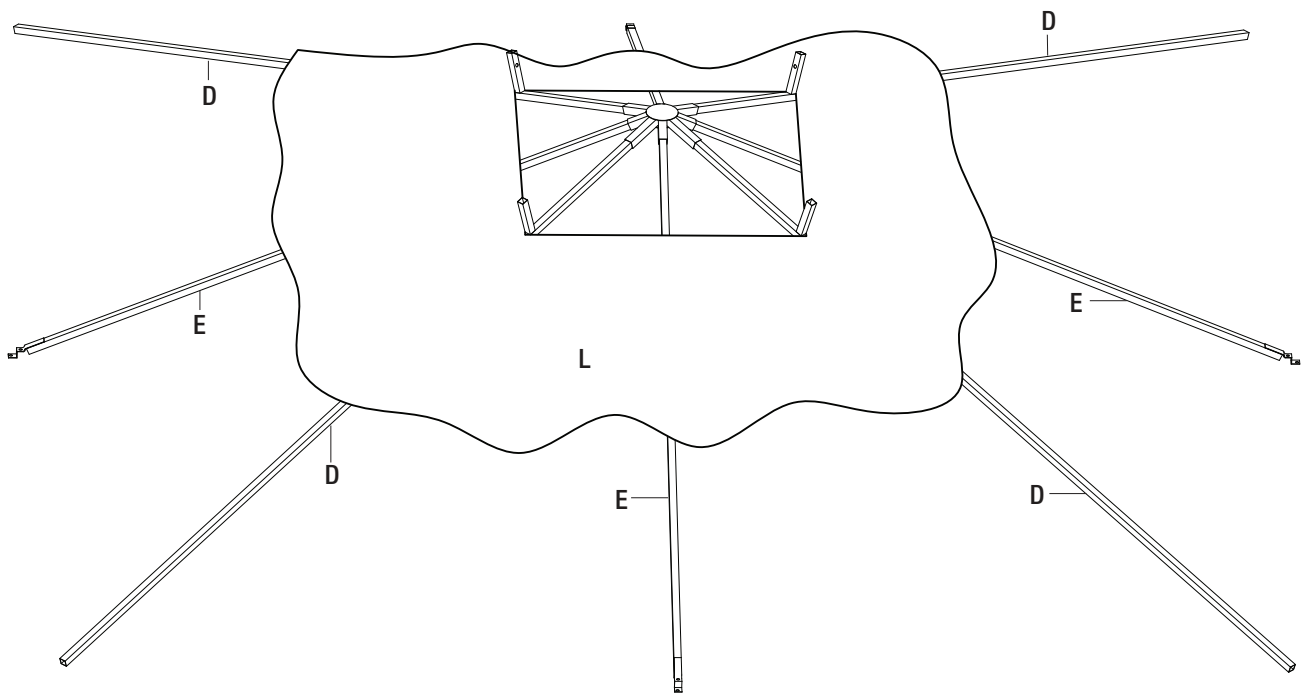


Part	Description	Quantity
K	Small fabric cover	1
L	Large fabric cover	1

Assembly

1 Replacing the large fabric cover

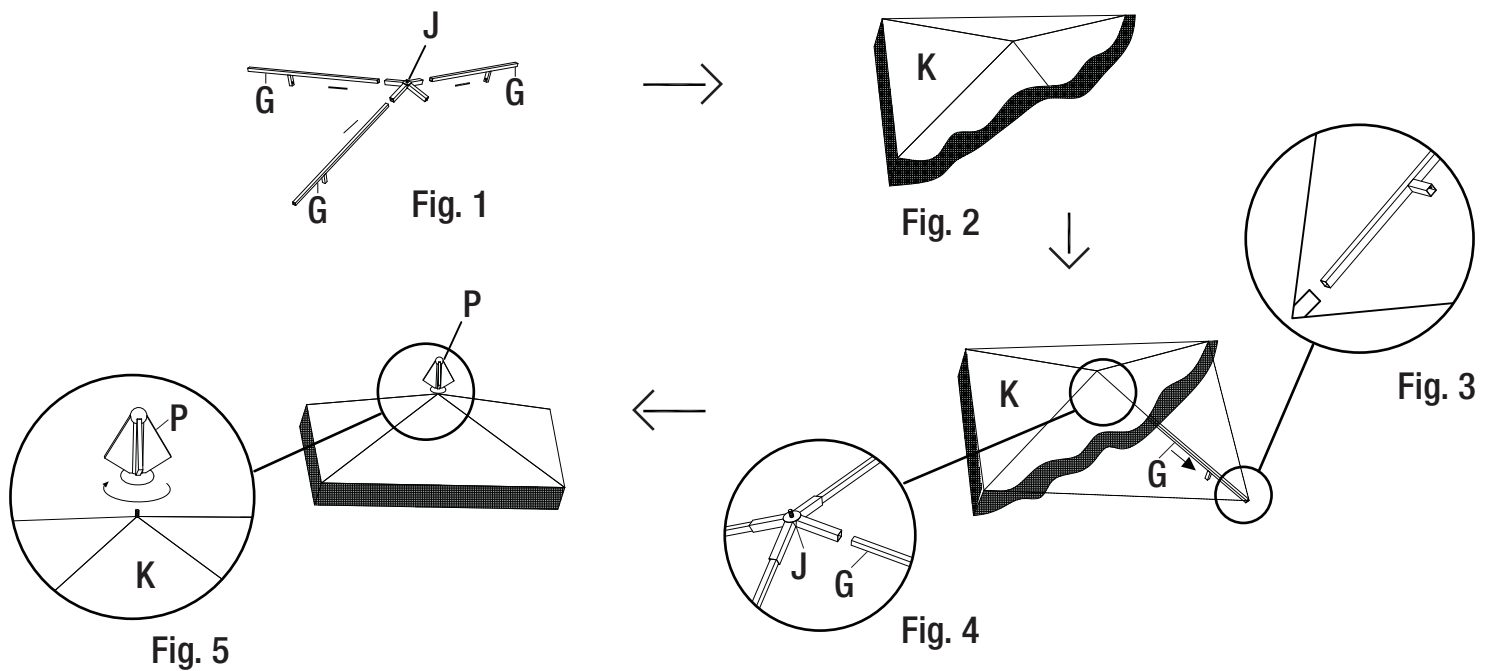
- Place the large fabric cover (L) loosely on top of the frame.



Assembly (continued)

2 Reassembling the small canopy

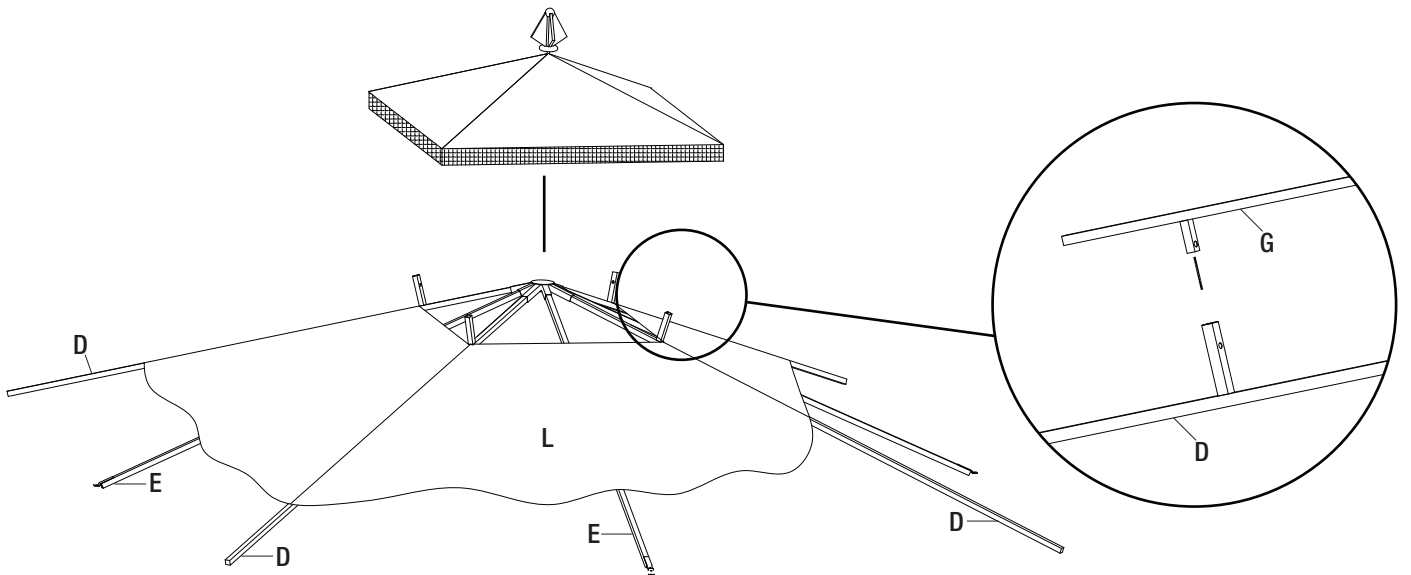
- Insert the three short canopy spokes (G) into the upper canopy hub (J). See figure 1.
- Install the small fabric cover (K) on the three short canopy spokes (G) and pull the three corresponding pouches of the small fabric cover (K) onto the ends of the three short canopy spokes (G). See figure 2.
- Pull the remaining pouch of the small fabric cover (K) onto the end of the remaining short canopy spokes (G) See figure 3.
- Insert the remaining short canopy spoke (G) into the upper canopy hub (J). See figure 4.
- Ensure all snap buttons are in place. Screw the top arrow (P) on the upper canopy hub (J). See figure 5.



Assembly (continued)

3 Reattaching the small canopy

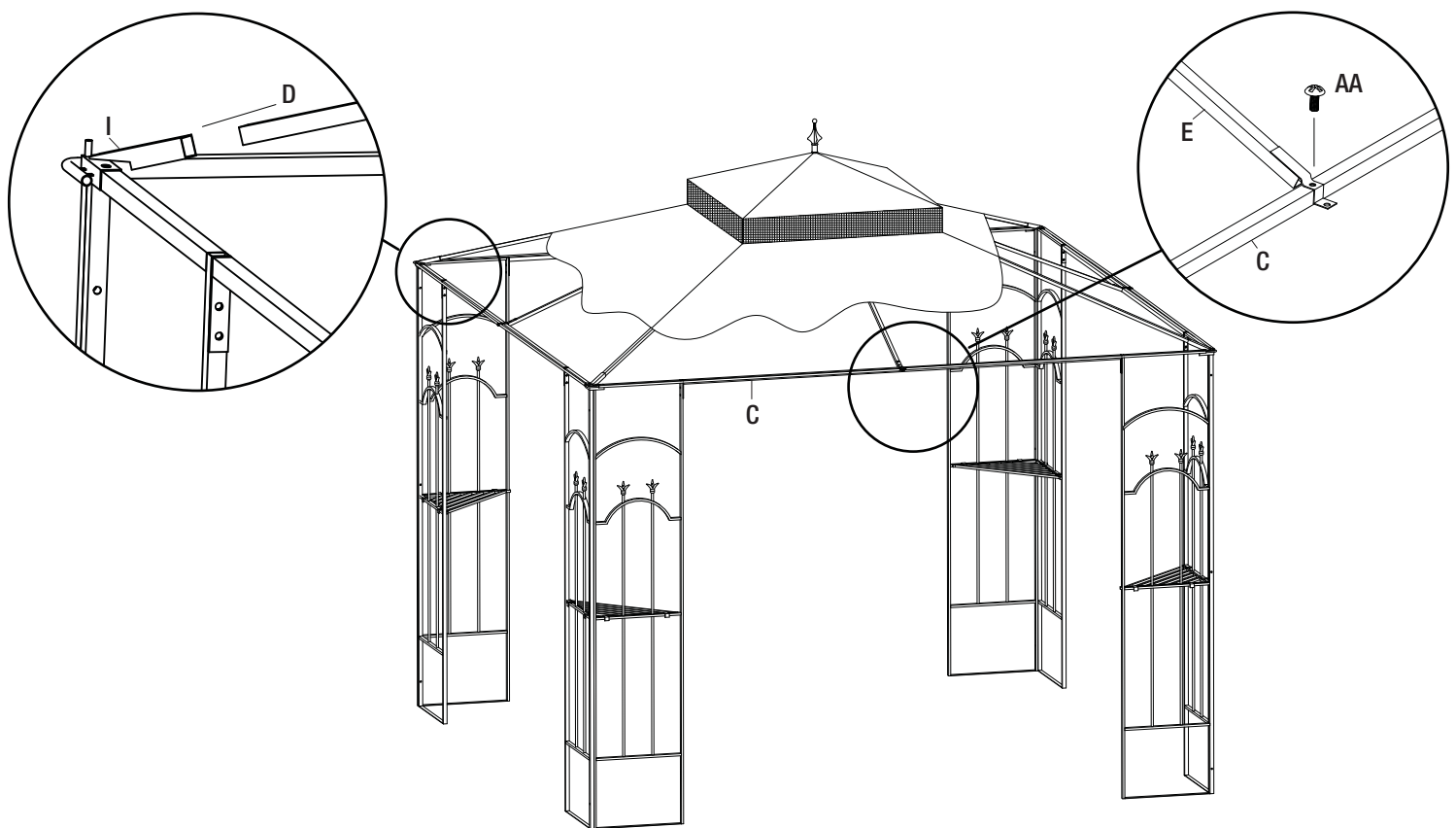
- Attach the four short canopy spokes (G) to each of the regular canopy spokes (D) by inserting the connecting pieces of (G) into (D). Ensure all push pins are secure.



Assembly (continued)

4 Reattaching the canopy to the top of the panel structure

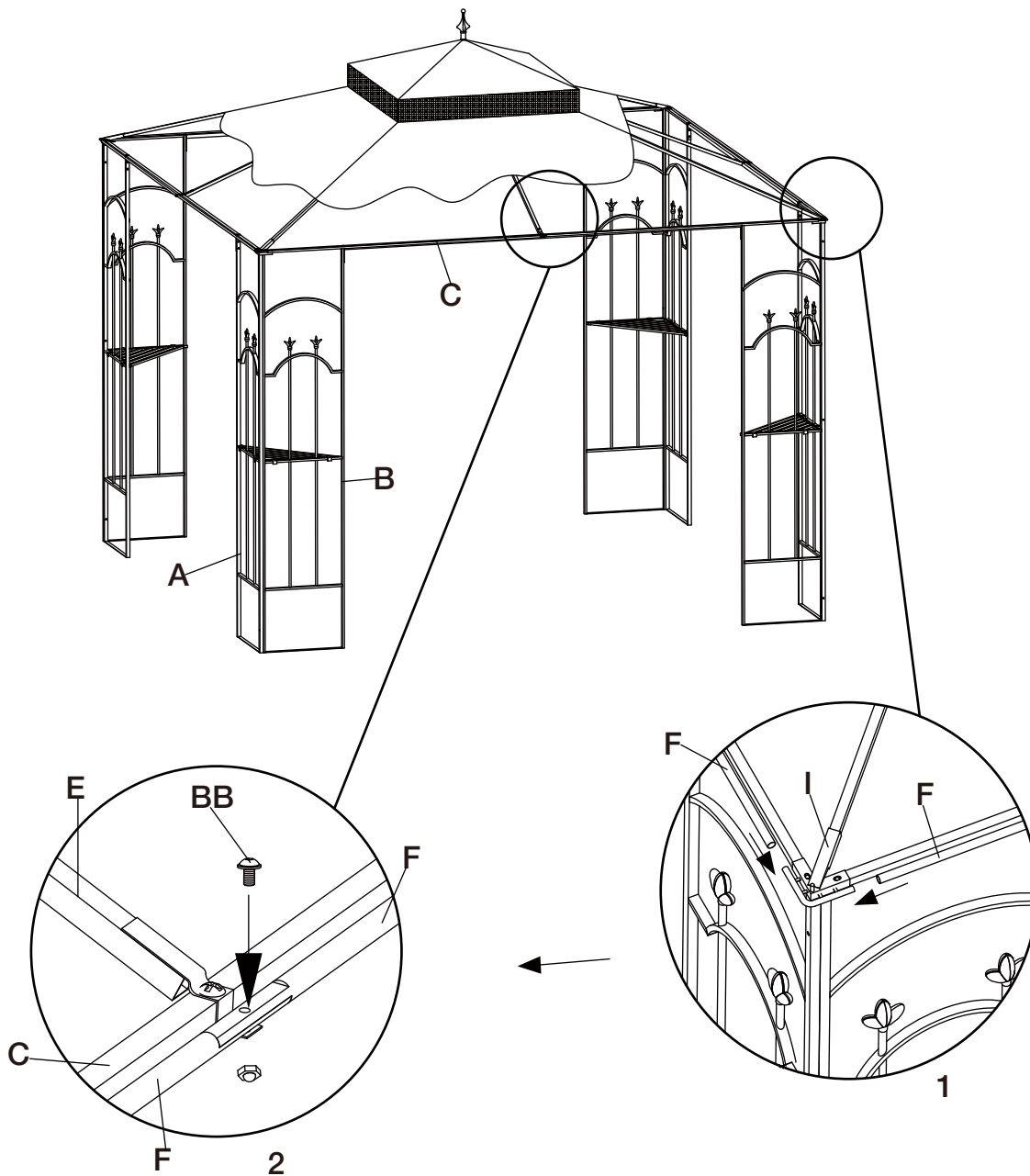
- Place the assembled canopy structure on top of the assembled panel structure.
- Insert the four canopy spokes (D) into the four corner connectors (I). Ensure all push pins are in place.
- Secure the metal pieces on the ends of each canopy frames (E) onto the four beams (C) using M6x15 combination bolts (AA).



Assembly (continued)

5 Reattaching the track tubes

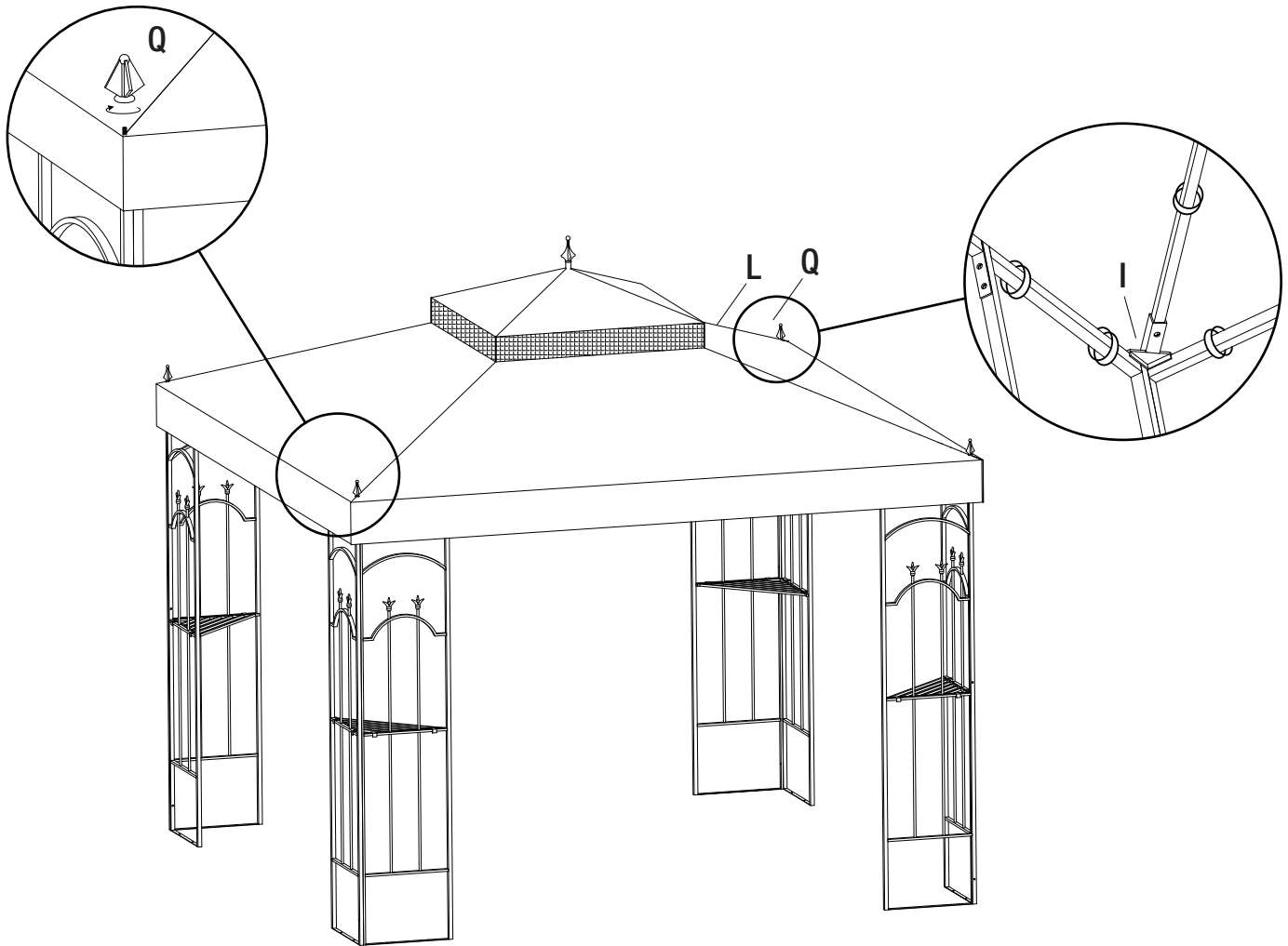
- Connect the end of a track tube (F) to the corner connector (I).
- Insert the other end of the track tube (F) into the bracket on the end of the canopy frame (E), and secure them together using M6x10 combination bolts and nuts (BB).
- Repeat these steps for the remaining track tubes (F).



Assembly (continued)

6 Reattaching the large fabric cover

- Pull the large fabric cover (L) onto the corner connectors (I).
- Attach all the velcro of the large fabric cover (L) on the frames and the top bars of the panels (A and B).
- Screw the four corner arrows (Q) onto the four corner connectors (I).
- Once all bolts and nuts are in place, tighten all bolts completely.



Care and Cleaning

- For best results, clean the canopy with a damp cloth, and dry thoroughly. This will help prevent mildew by removing dirt particles that may accumulate.
- Do not clean with abrasive materials, bleach, or solvents.
- Store the canopy in a dry, sheltered place when not in use.
- Keep the gazebo away from fire, extreme heat, freezing conditions, and inclement weather such as rain, hail, sleet, snow, or wind.



Questions, problems, missing parts? Before returning to the store,
call Hampton Bay Customer Service
8 a.m. - 7 p.m., EST, Monday - Friday, 9 a.m. - 6 p.m., EST, Saturday

1-855-HD-HAMPTON

HAMPTONBAY.COM

Retain this manual for future use.