



SERVICE PARTS LIST

BULLETIN NO.
54-49-5210

SPECIFY CATALOG NO. AND SERIAL NO. WHEN ORDERING PARTS		REVISED BULLETIN	DATE
360° BLOCK TORPEDO LEVEL			Mar. 2016
CATALOG NO. 48-22-5210	SERIAL NUMBER	WIRING INSTRUCTION	

00
0

EXAMPLE:
Component Parts (Small #) Are Included
When Ordering The Assembly (Large #).

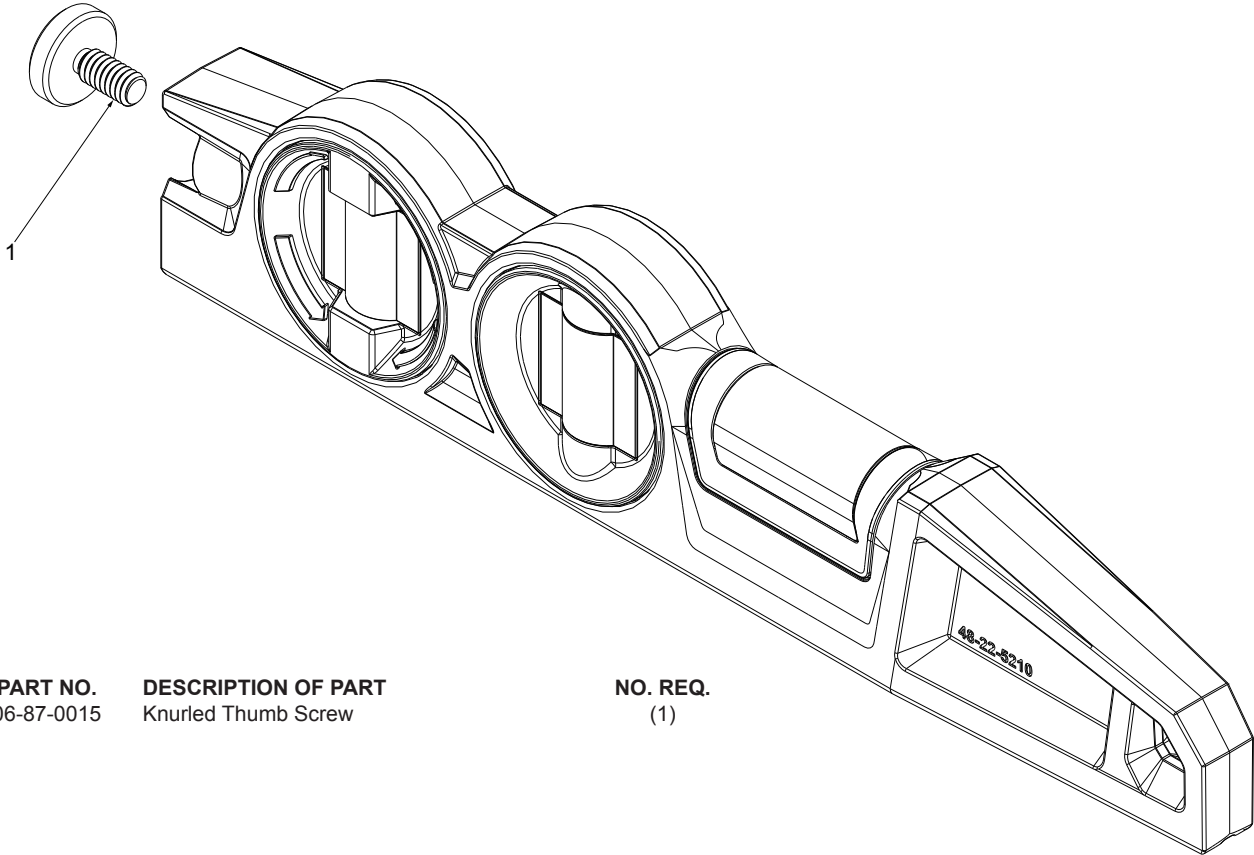


FIG.	PART NO.	DESCRIPTION OF PART	NO. REQ.
1	06-87-0015	Knurled Thumb Screw	(1)