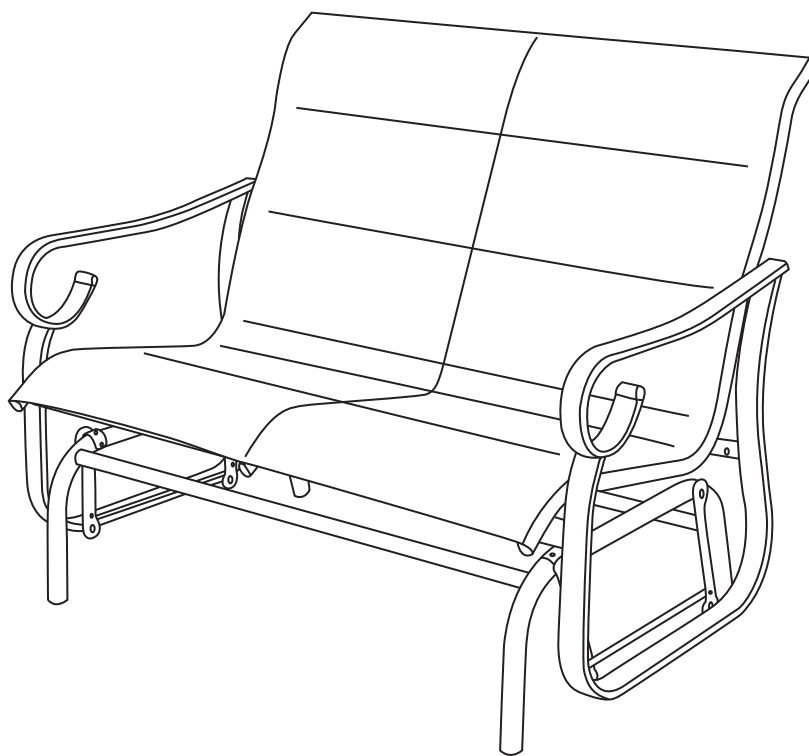




1003159681
Model RTS019N

USE AND CARE GUIDE

Crestridge Padded Sling Glider - Taupe Putty



Questions, problems, missing parts? Before returning to the store,
call Hampton Bay Customer Service.
8 a.m. - 7 p.m., EST, Monday - Friday, 9 a.m. - 6 p.m., EST, Saturday

1-855-HD-HAMPTON

HAMPTONBAY.COM

THANK YOU

We appreciate the trust and confidence you have placed in Hampton Bay through the purchase of this dining set. We strive to continually create quality products designed to enhance your home. Visit us online to see our full line of products available for your home improvement needs. Thank you for choosing Hampton Bay!

Table of Contents


Table of Contents.....	2	Glider Assembly.....	5
Safety Information	2	Care and Cleaning.....	10
Product Caution	2		
Safety Warnings	2		
Warranty	2		
What is Covered	2		
What is Not Covered	2		
Pre-Assembly	3		
Planning Assembly	3		
Hardware Included	3		
Glider Package Contents.....	4		


Safety Information


PRODUCT CAUTION


This set was made for the explicit purpose of providing outdoor functions and is not to be used as a toy. This product is intended for normal outdoor use; however, the manufacturer recommends storing and / or covering this set when any formidable / severe weather is approaching. Do not locate this product near open flames. Do not use this product as a support. Do not shake, lean or climb on the product. Children under the age of 10, near the product, should be supervised by a competent adult at all times.

SAFETY WARNINGS

 **WARNING:** Weight limit for the glider is 250 lb (113.39 kg) for each seat.

 **CAUTION:** When not in use, secure the product in a cool and covered location.

 **WARNING:** Please keep children out of the assembly area before assembly.

 **WARNING:** Do not place heavy objects on the glider.

Warranty

2 YEAR FRAME AND 2 YEAR FABRIC LIMITED WARRANTY

WHAT IS COVERED

We warrant the frames to be free of manufacturing defects to the original purchaser for two years, and a two year limited warranty for the fabric.

WHAT IS NOT COVERED

It remains the customer's responsibility for freight and packaging charges to and from our service center. This warranty does not cover commercial use, hardware, acts of nature, fire, freezing and abusive use. In addition, purchased parts are not covered under this warranty. We reserve the right to make substitutions with similar merchandise, if the model in question is no longer in production.

Contact the Customer Service Team at 1-855-HD-HAMPTON or visit www.hamptonbay.com.

Pre-Assembly

PLANNING ASSEMBLY

Read all instructions before assembly.

To avoid damaging this product, assemble it on a soft, non-abrasive surface such as carpet or cardboard.



NOTE: More than one person may be required to assemble this product.

HARDWARE INCLUDED



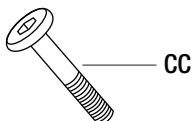
NOTE: Hardware not shown to actual size.



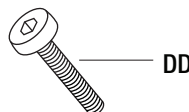
AA



BB



CC



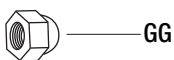
DD



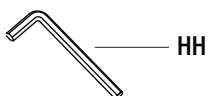
EE



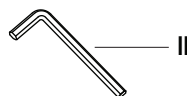
FF



GG



HH



II

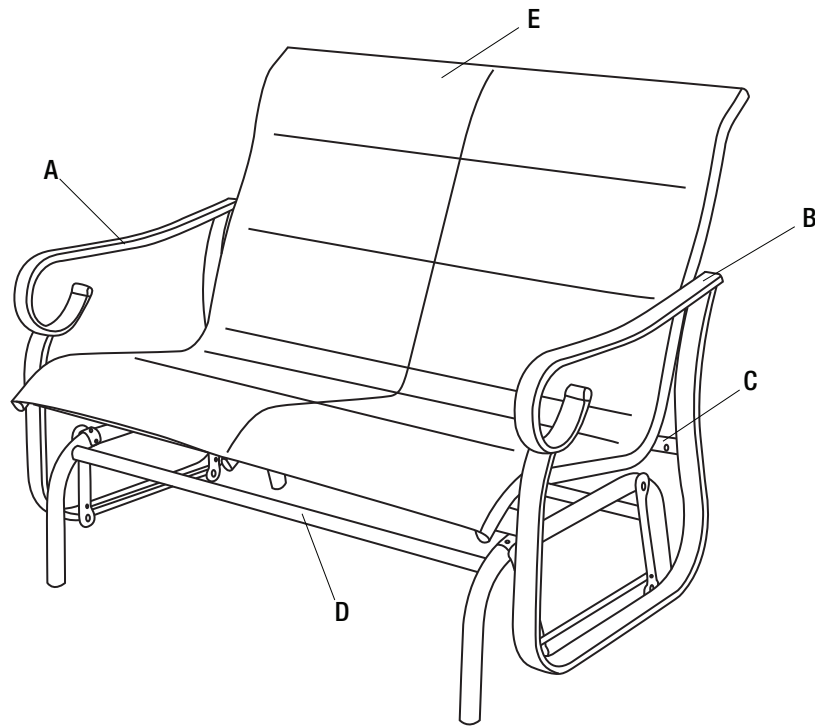


JJ

Part	Description	Quantity
AA	M6x16 BOLT	4+1
BB	M6x30 BOLT	2+1
CC	M6x55 BOLT	4+1
DD	M8x35 BOLT	2+1
EE	d6.5xD13x1.0 WASHER	24+2
FF	d8.5xD17x1.6 WASHER	2+1
GG	M6xP1.0 PLASTIC NUT	6+1
HH	4 mm ALLEN KEY WRENCH	1
II	6 mm ALLEN KEY WRENCH	1
JJ	10 & 13 mm NUT WRENCH	1

Pre-Assembly (continued)

GLIDER PACKAGE CONTENTS



Part	Description	Quantity
A	Right Arm	1
B	Left Arm	1
C	Cross Brace	1
D	Bottom Frame	1
E	Seat Assembly	1

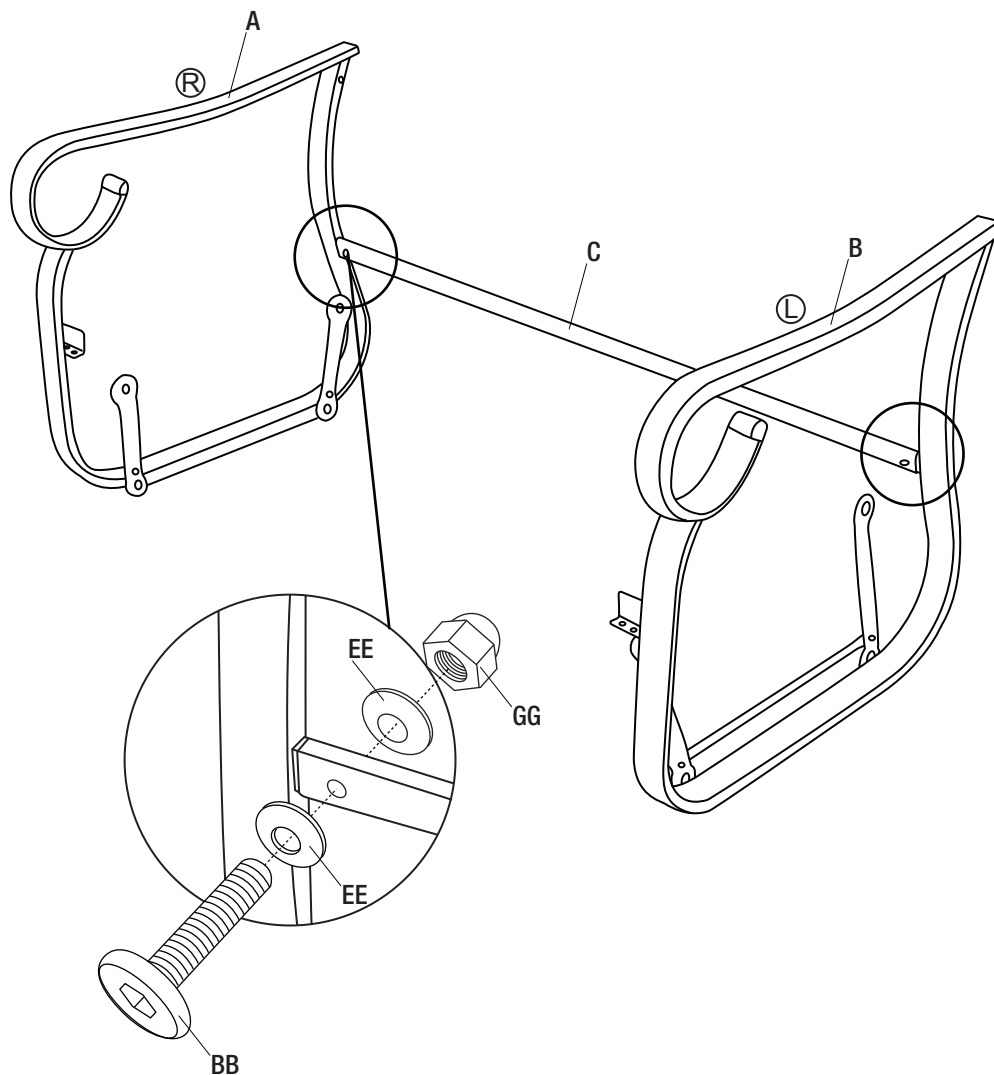
Glider Assembly

1 Connecting the glider cross brace to the glider arms

- Insert the right and left arms (A and B) into the cross brace (C) on both sides.
- Fasten them together by using M6x30 bolts (BB), d6.5xD13x1.0 washers (EE), and M6xP1.0 plastic nuts (GG).



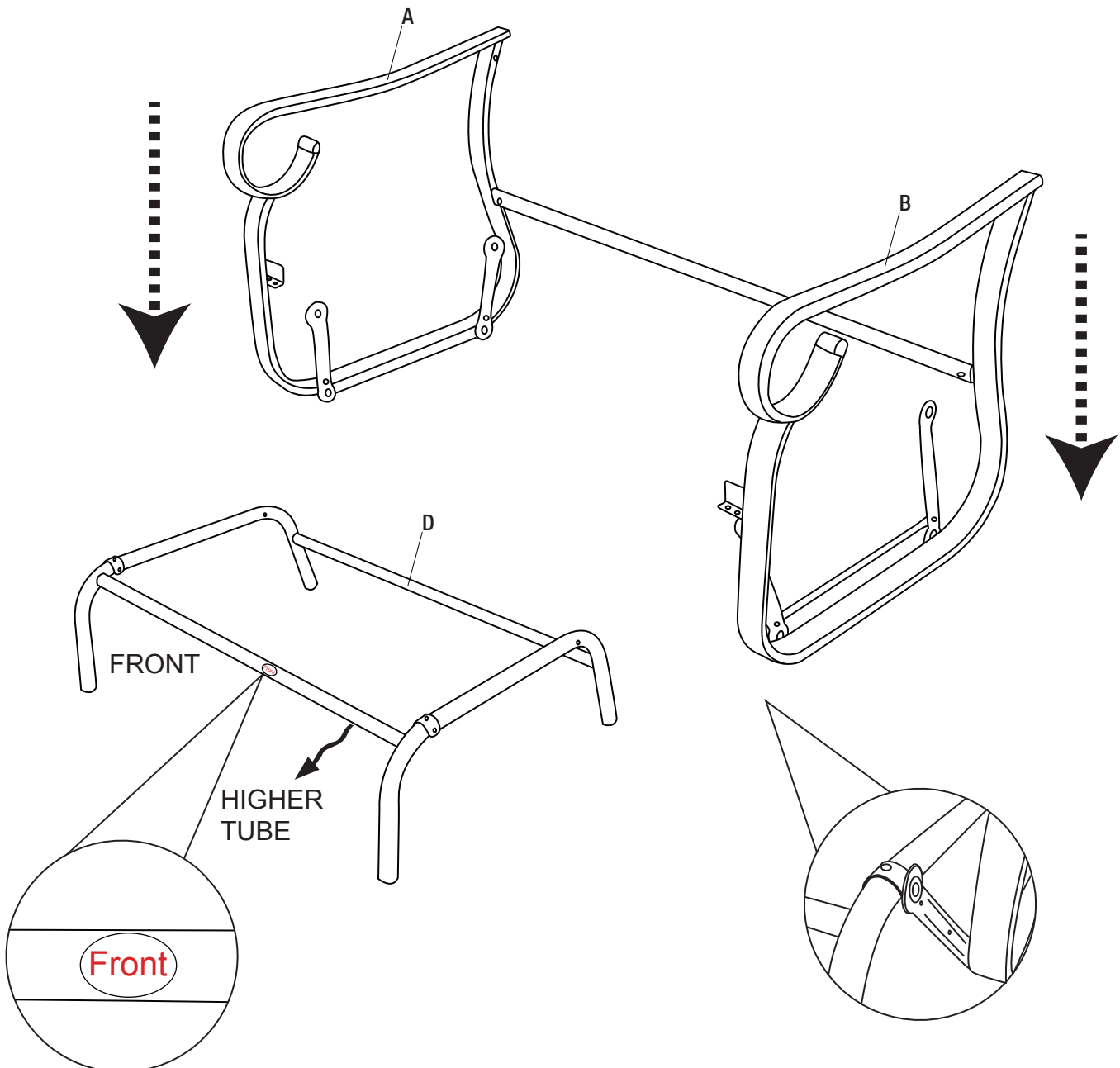
NOTE: Loosely tighten all the bolts using the hex wrenches (HH and JJ).



Glider Assembly (continued)

2 Connecting the glider bottom frame to the glider arms

- Place the arm assembly on to the bottom frame (D).
- Make sure that the higher tube on the bottom frame (D) is facing the front of the glider.



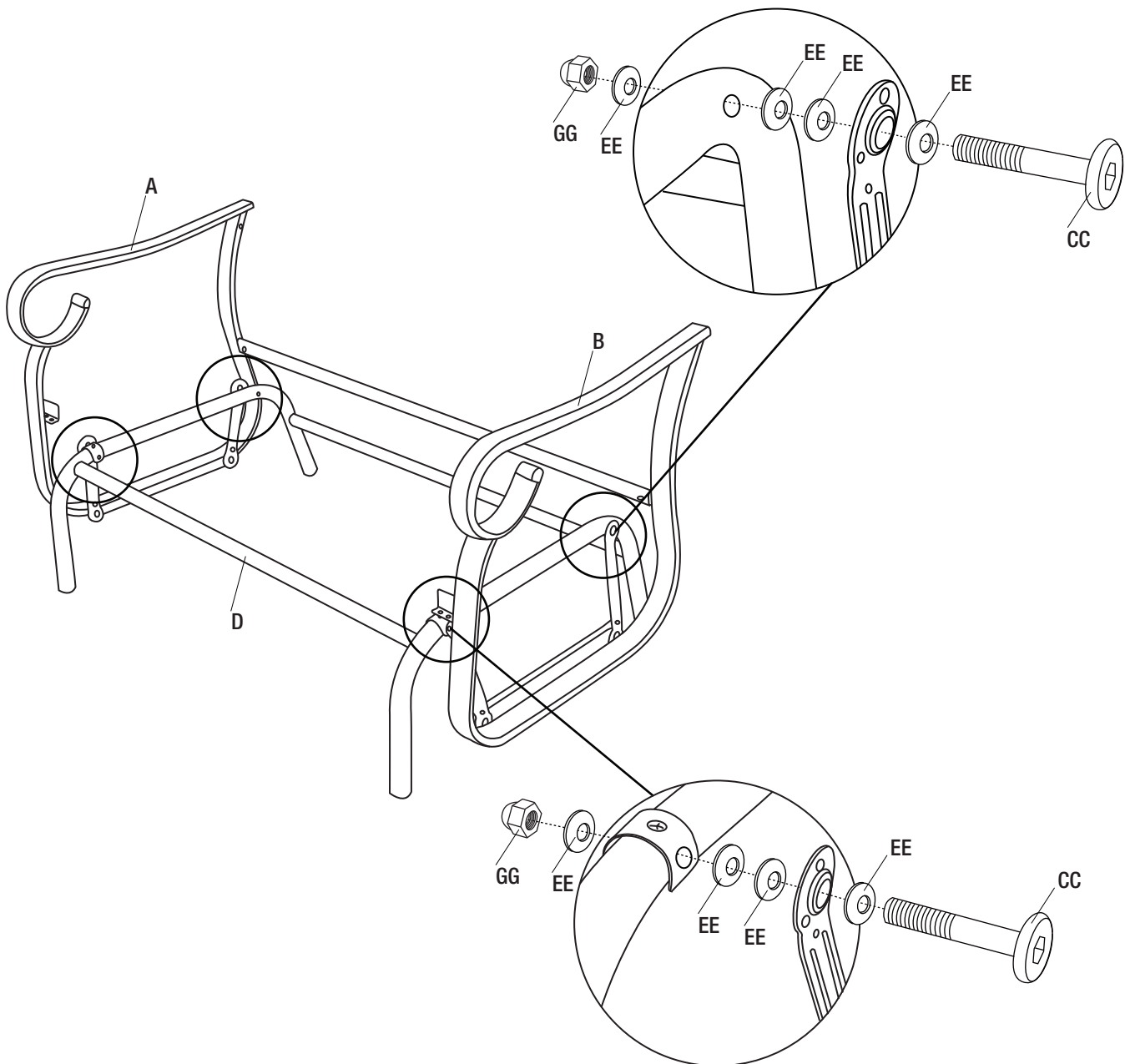
Glider Assembly (continued)

3 Connecting the glider arms to the glider bottom frame

- Fasten the swing bars of the arm assembly to the bottom frame (D) by using M6x55 bolts (CC), d6.5xD13x1.0 washers (EE), and M6xP1.0 plastic nuts (GG).



NOTE: Loosely tighten all the bolts using the hex wrenches (HH and JJ).



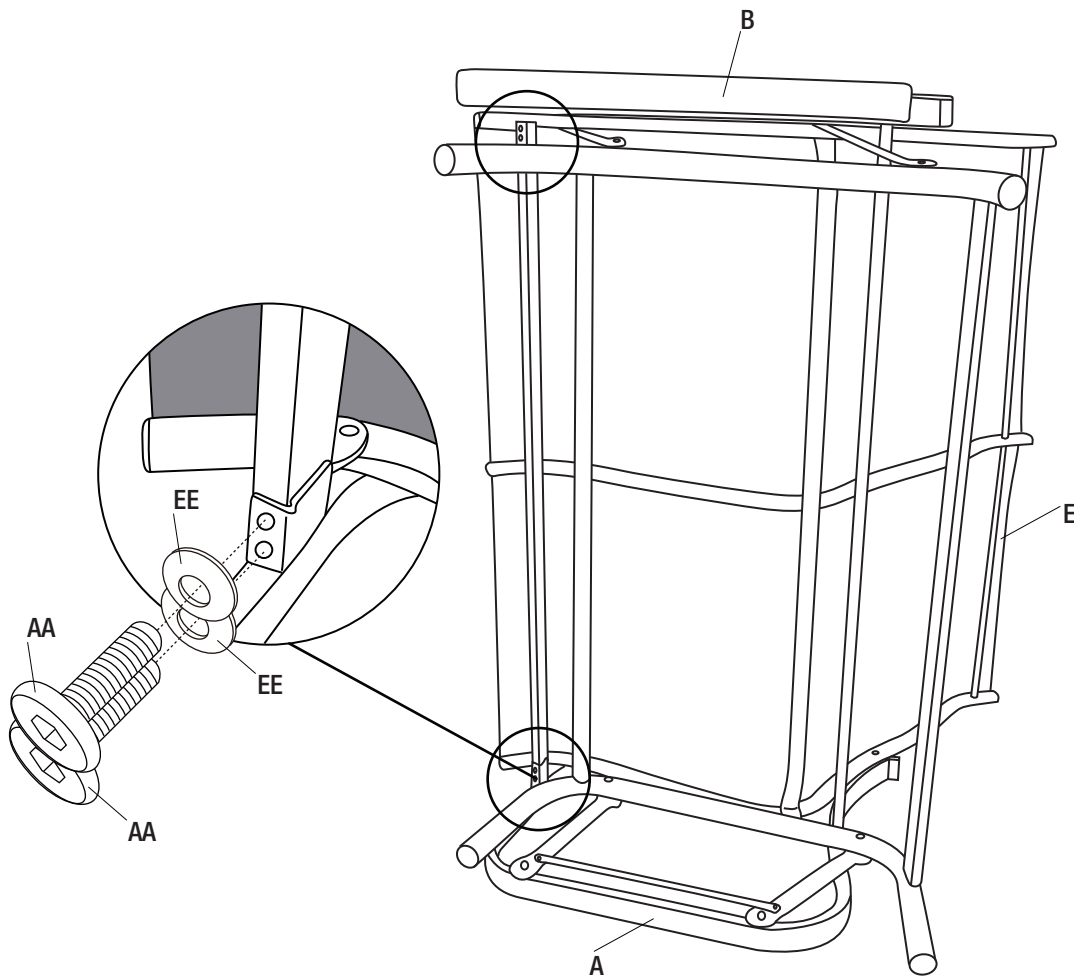
Glider Assembly (continued)

4 Connecting the glider seat assembly to the glider arms

- At the front of the glider, fasten the seat assembly (E) to the arms (A and B) by using M6x16 bolts (AA) and d6.5xD13x1.0 washers (EE).



NOTE: Loosely tighten all the bolts using the hex wrench (HH).



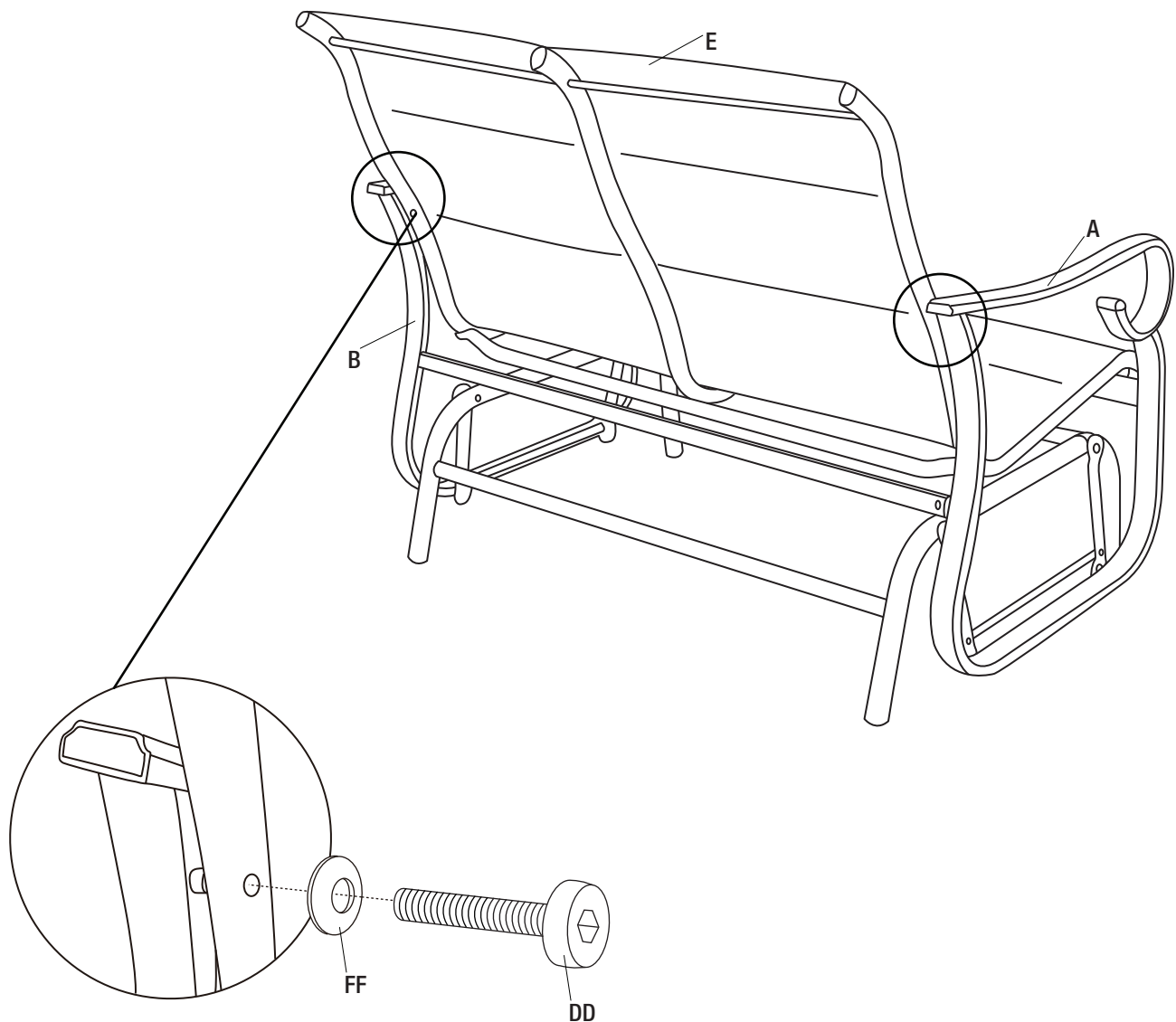
Glider Assembly (continued)

5 Connecting the glider seat assembly to the glider arms

- Fasten the seat assembly (E) to the right and left arms (A and B) by using M8x35 bolts (DD) and d8.5xD17x1.6 washers (FF).



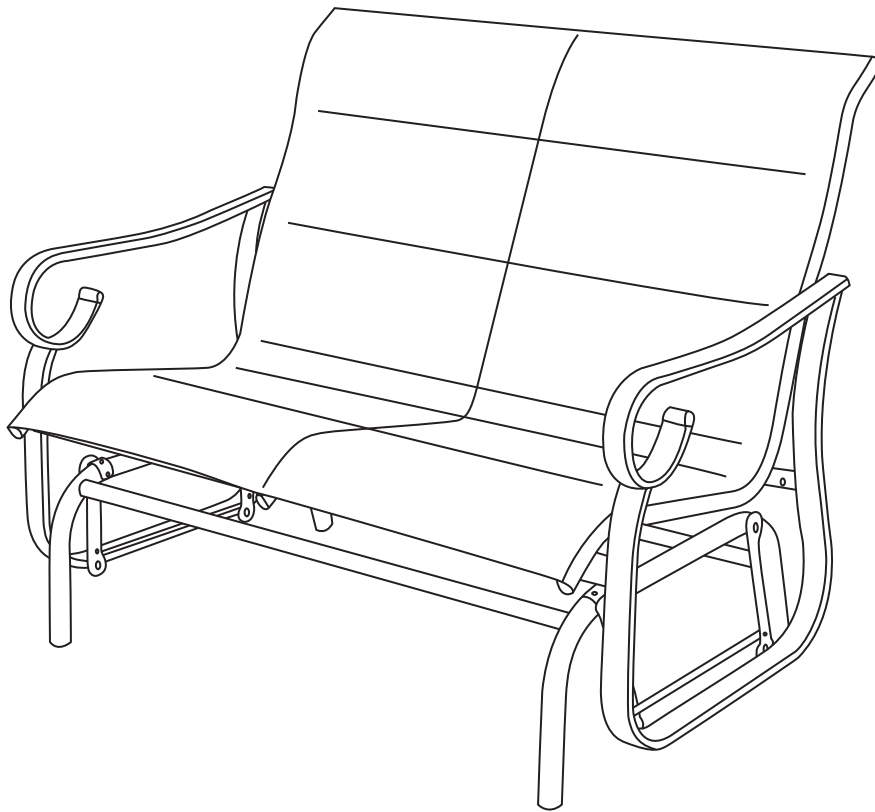
NOTE: Loosely tighten all the bolts using the hex wrench (II).



Glider Assembly (continued)

6 Tightening the bolts

- Turn the glider to its upright position.
- Once all of the bolts are in place, fully tighten the bolts.
- Ensure all connections are secure before use.



Care and Cleaning

- For best results, clean the set with a damp cloth and dry thoroughly. This will help prevent mildew by removing dirt particles that may accumulate.
- Do not clean with abrasive materials, bleach, or solvents.
- Store the set in a dry, sheltered place when not in use.
- Keep the set away from fire, extreme heat, freezing conditions, and inclement weather such as rain, hail, sleet, snow, or wind.



Questions, problems, missing parts? Before returning to the store,
call Hampton Bay Customer Service.
8 a.m. - 7 p.m., EST, Monday - Friday, 9 a.m. - 6 p.m., EST, Saturday

1-855-HD-HAMPTON

HAMPTONBAY.COM

Retain this manual for future use.